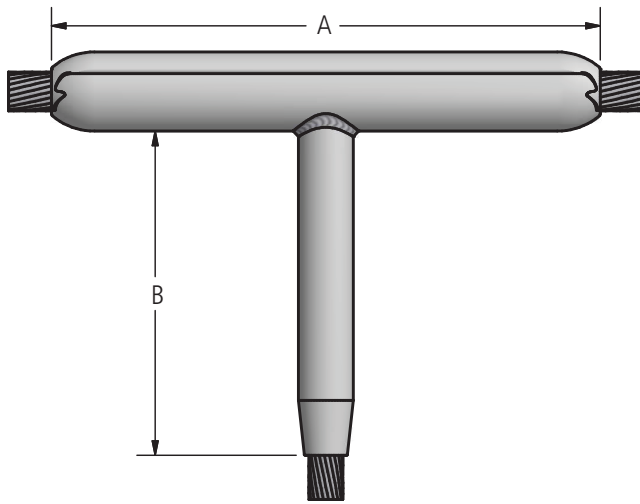


DOSSERT® Type 2900 Series

Substation tee connector is designed for limited space application as found in substations. Run and tap lengths are shorter than conventional tee connectors which saves space and minimizes birdcaging problems. Tee connector is installed with standard AFL hex dies.



Ordering Information

CATALOG NUMBER	CONDUCTOR DIAMETER RANGE								DIMENSIONS IN INCHES	
	RUN				TAP				A	B
	DIAMETER	AAC	ACSR	DIE SIZE	DIAMETER	AAC	ACSR	DIE SIZE		
2976.1-76.1	0.609-0.743	300 - 397.5	266.8 (18/1) - 397.5 (18/1)	76AH	0.609-0.743	300 - 397.5	266.8 (18/1) - 397.5 (18/1)	76AH	8.40	3.58
2920.1-20.1	0.718-0.840	397.5 - 500	336.4 (26/7) - 477 (18/1)	20AH	0.629-0.724	300 - 397.5	266.8 (6/7) - 336.4 (26/7)	20AH	8.50	3.88
2920.1-20.2	0.718-0.840	397.5 - 500	336.4 (26/7) - 477 (18/1)	20AH	0.721-0.814	397.5 - 500	336.4 (30/7) - 477 (18/1)	20AH	8.50	3.88
2924.1-24.1	0.780-0.933	477 - 650	397.5 (26/7) - 556.5 (26/7)	24AH	0.793-0.928	477 - 650	397.5 (30/7) - 556.5 (26/7)	24AH	8.50	4.22
2927.1-27.1	0.932-1.020	700 - 750	556.5 (30/7) - 666.6 (24/7)	27AH	0.929-1.025	700 - 750	556.5 (30/7) - 666.6 (24/7)	27AH	10.00	4.50
2930.1-30.1	1.021-1.196	795 - 1033.5	715.5 (24/7) - 954 (54/7)	30AH	1.026-1.196	795 - 1033.5	715.5 (24/7) - 954 (54/7)	30AH	10.00	5.67
2934.1-34.1	1.197-1.319	1113 - 1300	1033.5 (45/7) - 1192.5 (45/7)	34AH	1.186-1.313	1113 - 1272	1033.5 (36/1) - 1192.5 (45/7)	34AH	11.30	6.03
2936.1-36.1	1.320-1.417	1351.5 - 1510.5	1192.5 (54/19) - 1351.5 (45/7)	36AH	1.314-1.399	1300 - 1431	1192.5 (54/19) - 1351.5 (45/7)	36AH	11.50	6.29
2938.1-30.1	1.412-1.500	1500 - 1590	1351.5 (54/19) - 1510.5 (45/7)	38AH	1.026-1.196	795 - 1033.5	715.5 (24/7) - 954 (54/7)	30AH	12.00	5.67
2938.1-38.1	1.412-1.500	1500 - 1590	1351.5 (54/19) - 1510.5 (45/7)	38AH	1.399-1.500	1500 - 1590	1351.5 (54/19) - 1510.5 (45/7)	38AH	12.00	6.55
2940.1-40.1	1.496-1.557	1750	1510.5 (54/19) - 1590 (54/19)	40AH	1.501-1.630	1750 - 2000	1510.5 (54/19) - 1780 (84/19)	40AH	12.50	7.02
2942.1-42.1	1.550-1.625	2000	1780 (84/19)	42AH	1.630-1.681	2000	2034 (72/7)	42AH	14.00	7.29
2944.1-44.1	1.626-1.843	2000 - 2500	2034 (72/7) - 2312 (76/19)	44AH	1.630-1.681	2000	2034 (72/7)	44AH	15.00	7.74
2944.1-44.2	1.626-1.842	2000 - 2500	2034 (72/7) - 2312 (76/19)	44AH	1.669-1.823	2250 - 2500	2034 (72/7) - 2312 (76/19)	44AH	15.00	7.74
2948.1-48.1	1.843-1.996	2750	2515 (76/19)	48AH	1.823-1.996	2500 - 2750	2515 (76/19)	48AH	16.00	8.77