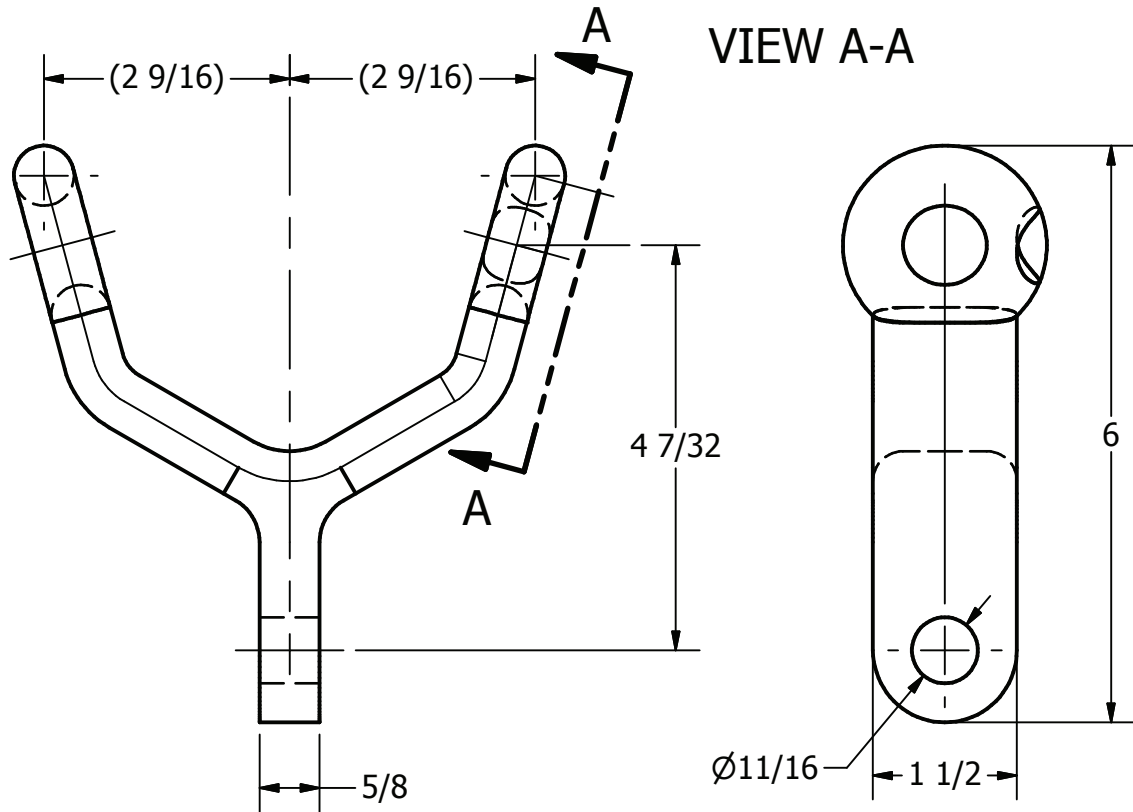
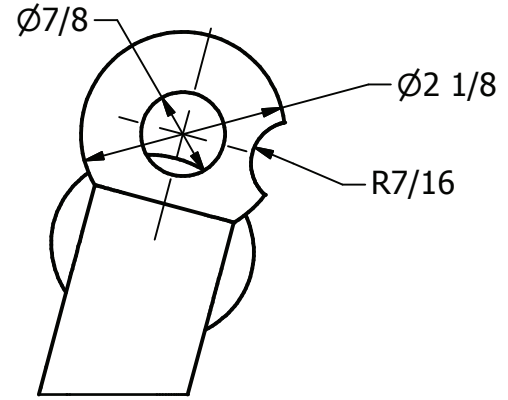
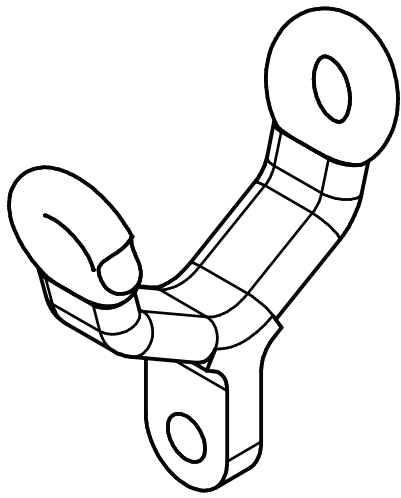


ITEM NO

DWG NO  
D-7364

THIS DRAWING AND ALL INFORMATION ON IT IS THE PROPERTY OF AFL. IT IS CONFIDENTIAL AND IT IS GIVEN TO YOU FOR A LIMITED PURPOSE AND MUST BE RETURNED UPON REQUEST. NEITHER THIS DRAWING OR ANY PART OF IT NOR ANY INFORMATION CONCERNING IT MAY BE COPIED, EXHIBITED, OR FURNISHED TO OTHERS NOR PHOTOGRAPHS TAKEN OF ANY ARTICLE FABRICATED OR ASSEMBLED FROM THE DRAWING WITHOUT THE CONSENT OF AFL.



**MATERIAL:**  
NICKEL ALUMINUM BRONZE

3.02 LBS

|           |                      |         |    |     |                   |         |              |  |
|-----------|----------------------|---------|----|-----|-------------------|---------|--------------|--|
| LOCATION  |                      |         |    |     | CONTRACT NO       |         | CUST / CONTR |  |
| REVISIONS |                      |         |    |     | DRN BY: BB        |         |              |  |
| REV       | DESCRIPTION          | DATE    | BY | APR | DRN DATE: 6-20-08 |         |              |  |
| 2         | RE-DRAWN IN INVENTOR | 1-29-10 | LK | EP  | CHK BY: BB        |         |              |  |
|           |                      |         |    |     | CHK DATE: 6-20-08 |         |              |  |
|           |                      |         |    |     | REV               | DDEL-FR |              |  |
|           |                      |         |    |     | 2                 | 1 OF 1  |              |  |



LINK, DOUBLE RING TONGUE