

TYPE SWT-AA, SWTS-AA Swage Bus Run to Bus Tee

A Swage type bus run to bus tee. Run pipe available in solid pipe or split pipe configuration.

Material

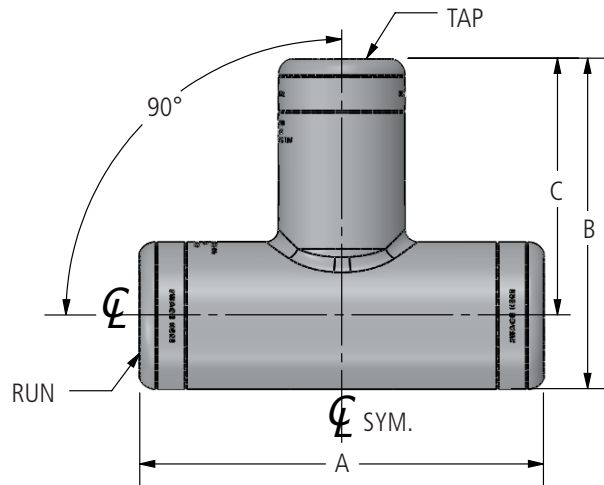
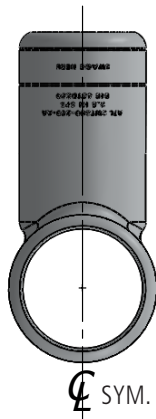
Aluminum Alloy

Notes

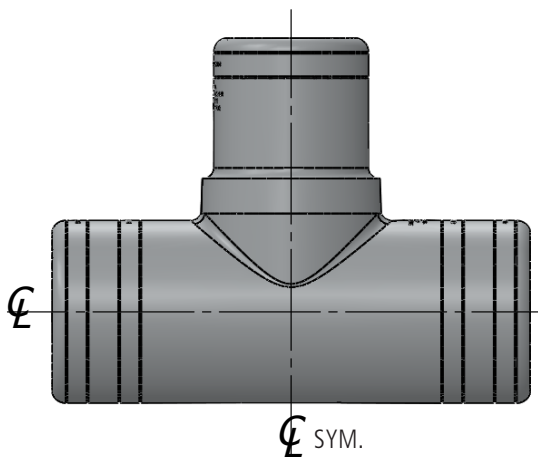
- Bore will be lined with AFL Filler compound (AFC) and capped.
- 5" and 6" S.P.S. parts require double swages.



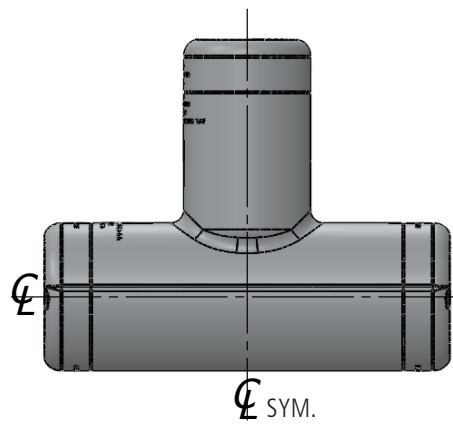
TEE/TEE CONNECTORS



**SOLID PIPE
1-4" SPS**



**SOLID PIPE
5-6" SPS**



**SPLIT PIPE
1-4" SPS**

continued
→

TYPE SWT-AA, SWTS-AA

Swage Bus Run to Bus Tee

Ordering Information

AFL NO.		S.P.S.		DIMENSIONS IN INCHES			DIE SIZE		VOLTAGE RATING (kV)
SOLID PIPE	SPLIT PIPE	RUN	TAP	A	B	C	RUN	TAP	
SWT100-100-AA	SWTS100-100-AA	1	1	10.00	6.75	5.75	65TD100	65TD100	230
SWT150-100-AA	SWTS150-100-AA	1.5	1	10.00	7.25	6.00	65TD150	65TD100	230
SWT150-150-AA	SWTS150-150-AA	1.5	1.5	10.00	7.50	6.25	65TD150	65TD150	230
SWT200-100-AA	SWTS200-100-AA	2	1	10.00	7.75	6.25	65TD200	65TD100	230
SWT200-150-AA	SWTS200-150-AA	2	1.5	10.00	7.75	6.25	65TD200	65TD150	230
SWT200-200-AA	SWTS200-200-AA	2	2	10.00	7.75	6.25	65TD200	65TD200	230
SWT250-100-AA	SWTS250-100-AA	2.5	1	10.00	8.50	6.62	65TD250	65TD100	230
SWT250-150-AA	SWTS250-150-AA	2.5	1.5	10.00	8.50	6.62	65TD250	65TD150	230
SWT250-200-AA	SWTS250-200-AA	2.5	2	10.00	8.50	6.62	65TD250	65TD200	230
SWT250-250-AA	SWTS250-250-AA	2.5	2.5	12.00	8.75	6.87	65TD250	65TD250	230
SWT300-100-AA	SWTS300-100-AA	3	1	12.00	9.13	6.94	65TD300	65TD100	230
SWT300-150-AA	SWTS300-150-AA	3	1.5	12.00	9.13	6.94	65TD300	65TD150	230
SWT300-200-AA	SWTS300-200-AA	3	2	12.00	9.13	6.94	65TD300	65TD200	230
SWT300-250-AA	SWTS300-250-AA	3	2.5	12.00	9.37	7.18	65TD300	65TD250	500
SWT300-300-AA	SWTS300-300-AA	3	3	12.00	10.37	8.18	65TD300	65TD300	500
SWT350-200-AA	SWTS350-200-AA	3.5	2	12.00	9.75	7.25	65TD350	65TD200	230
SWT350-250-AA	SWTS350-250-AA	3.5	2.5	12.00	10.00	7.50	65TD350	65TD250	500
SWT350-300-AA	SWTS350-300-AA	3.5	3	12.00	11.00	8.50	65TD350	65TD300	500
SWT350-350-AA	SWTS350-350-AA	3.5	3.5	12.00	11.00	8.50	65TD350	65TD350	500
SWT400-200-AA	SWTS400-200-AA	4	2	12.00	10.25	7.50	65TD400	65TD200	230
SWT400-250-AA	SWTS400-250-AA	4	2.5	12.00	10.50	7.75	65TD400	65TD250	500
SWT400-300-AA	SWTS400-300-AA	4	3	12.00	11.50	8.75	65TD400	65TD300	500
SWT400-350-AA	SWTS400-350-AA	4	3.5	12.00	11.50	8.75	65TD400	65TD350	500
SWT400-400-AA	SWTS400-400-AA	4	4	12.00	12.00	9.25	65TD400	65TD400	500
SWT500-200-AA	SWTS500-200-AA	5	2	14.50	11.25	8.00	85TD500	65TD200	230
SWT500-250-AA	SWTS500-250-AA	5	2.5	17.00	11.50	8.25	85TD500	65TD250	500
SWT500-300-AA	SWTS500-300-AA	5	3	17.00	12.50	9.25	85TD500	65TD300	500
SWT500-350-AA	SWTS500-350-AA	5	3.5	17.00	12.50	9.25	85TD500	65TD350	500
SWT500-400-AA	SWTS500-400-AA	5	4	20.00	13.00	9.75	85TD500	65TD400	500
SWT500-500-AA	SWTS500-500-AA	5	5	20.00	15.00	11.75	85TD500	85TD500	500
SWT600-200-AA	SWTS600-200-AA	6	2	16.50	12.75	8.75	115TD600	65TD200	230
SWT600-250-AA	SWTS600-250-AA	6	2.5	16.50	13.00	9.00	115TD600	65TD250	500
SWT600-300-AA	SWTS600-300-AA	6	3	19.00	14.00	10.00	115TD600	65TD300	500
SWT600-350-AA	SWTS600-350-AA	6	3.5	19.00	14.00	10.00	115TD600	65TD350	500
SWT600-400-AA	SWTS600-400-AA	6	4	19.00	14.50	10.50	115TD600	65TD400	500
SWT600-500-AA	SWTS600-500-AA	6	5	22.00	16.50	12.50	115TD600	85TD500	500
SWT600-600-AA	SWTS600-600-AA	6	6	22.00	16.62	12.62	115TD600	115TD600	500

TEE/VEE CONNECTORS

TYPE SWTA-AA, SWTAS-AA Swage Bus Run to Angled Bus Tee

A Swage type bus run to angled bus tee. Run pipe is available in solid pipe or split pipe configurations.

Material

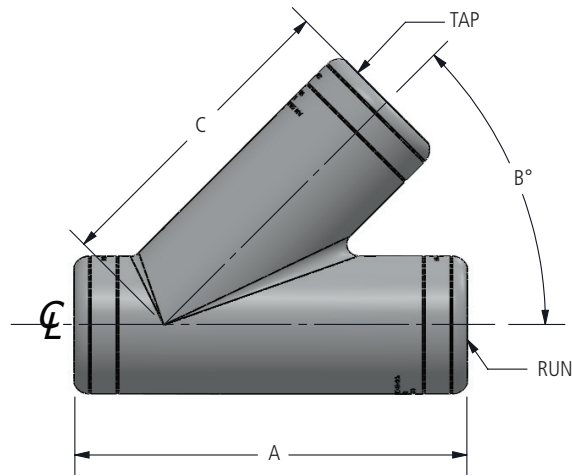
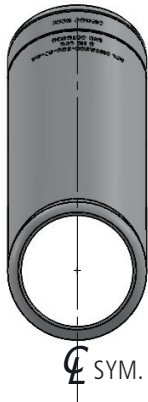
Aluminum Alloy

Notes

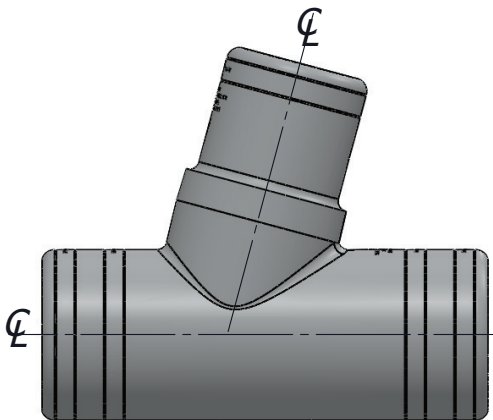
- Bore will be lined with AFL Filler compound (AFC) and capped.
- 5" and 6" S.P.S. parts require double swages.



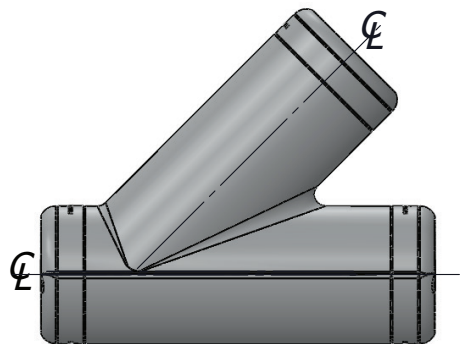
TEE/TEE CONNECTORS



SOLID PIPE
1-4" SPS



SOLID PIPE
5-6" SPS



SPLIT PIPE
1-4" SPS

continued

TYPE SWTA-AA, SWTAS-AA Swage Bus Run to Angled Bus Tee

Ordering Information

AFL NO.		S.P.S.		DIMENSIONS IN INCHES			DIE SIZE	
SOLID PIPE	SPLIT PIPE	RUN	TAP	A	B	C	RUN	TAP
SWTA100-100-75-AA	SWTAS100-100-75-AA	1	1	10.00	75	6.16	65TD100	65TD100
SWTA100-100-80-AA	SWTAS100-100-80-AA	1	1	10.00	80	6.01	65TD100	65TD100
SWTA150-100-75-AA	SWTAS150-100-75-AA	1.5	1	10.00	75	6.42	65TD150	65TD100
SWTA150-100-80-AA	SWTAS150-100-80-AA	1.5	1	10.00	80	6.26	65TD150	65TD100
SWTA150-150-75-AA	SWTAS150-150-75-AA	1.5	1.5	10.00	75	6.48	65TD150	65TD150
SWTA150-150-80-AA	SWTAS150-150-80-AA	1.5	1.5	10.00	80	6.31	65TD150	65TD150
SWTA200-100-75-AA	SWTAS200-100-75-AA	2	1	10.00	75	6.68	65TD200	65TD100
SWTA200-100-80-AA	SWTAS200-100-80-AA	2	1	10.00	80	6.52	65TD200	65TD100
SWTA200-150-75-AA	SWTAS200-150-75-AA	2	1.5	10.00	75	6.74	65TD200	65TD150
SWTA200-150-80-AA	SWTAS200-150-80-AA	2	1.5	10.00	80	6.56	65TD200	65TD150
SWTA200-200-45-AA	SWTAS200-200-45-AA	2	2	10.00	45	8.76	65TD200	65TD200
SWTA200-200-75-AA	SWTAS200-200-75-AA	2	2	10.00	75	6.81	65TD200	65TD200
SWTA200-200-80-AA	SWTAS200-200-80-AA	2	2	10.00	80	6.61	65TD200	65TD200
SWTA250-100-75-AA	SWTAS250-100-75-AA	2.5	1	10.00	75	7.06	65TD250	65TD100
SWTA250-100-80-AA	SWTAS250-100-80-AA	2.5	1	10.00	80	6.90	65TD250	65TD100
SWTA250-150-75-AA	SWTAS250-150-75-AA	2.5	1.5	10.00	75	7.13	65TD250	65TD150
SWTA250-150-80-AA	SWTAS250-150-80-AA	2.5	1.5	10.00	80	6.94	65TD250	65TD150
SWTA250-200-75-AA	SWTAS250-200-75-AA	2.5	2	10.00	75	7.20	65TD250	65TD200
SWTA250-200-80-AA	SWTAS250-200-80-AA	2.5	2	10.00	80	6.99	65TD250	65TD200
SWTA250-250-75-AA	SWTAS250-250-75-AA	2.5	2.5	12.00	75	7.54	65TD250	65TD250
SWTA250-250-80-AA	SWTAS250-250-80-AA	2.5	2.5	12.00	80	7.30	65TD250	65TD250
SWTA300-100-75-AA	SWTAS300-100-75-AA	3	1	12.00	75	7.39	65TD300	65TD100
SWTA300-100-80-AA	SWTAS300-100-80-AA	3	1	12.00	80	7.22	65TD300	65TD100
SWTA300-150-75-AA	SWTAS300-150-75-AA	3	1.5	12.00	75	7.45	65TD300	65TD150
SWTA300-150-80-AA	SWTAS300-150-80-AA	3	1.5	12.00	80	7.26	65TD300	65TD150
SWTA300-200-75-AA	SWTAS300-200-75-AA	3	2	12.00	75	7.52	65TD300	65TD200
SWTA300-200-80-AA	SWTAS300-200-80-AA	3	2	12.00	80	7.30	65TD300	65TD200
SWTA300-250-75-AA	SWTAS300-250-75-AA	3	2.5	12.00	75	7.87	65TD300	65TD250
SWTA300-250-80-AA	SWTAS300-250-80-AA	3	2.5	12.00	80	7.62	65TD300	65TD250
SWTA300-300-45-AA	SWTAS300-300-45-AA	3	3	17.00	45	11.67	65TD300	65TD300
SWTA300-300-75-AA	SWTAS300-300-75-AA	3	3	12.00	75	8.95	65TD300	65TD300
SWTA300-300-80-AA	SWTAS300-300-80-AA	3	3	12.00	80	8.67	65TD300	65TD300
SWTA350-200-75-AA	SWTAS350-200-75-AA	3.5	2	12.00	75	7.84	65TD350	65TD200
SWTA350-200-80-AA	SWTAS350-200-80-AA	3.5	2	12.00	80	7.62	65TD350	65TD200
SWTA350-250-75-AA	SWTAS350-250-75-AA	3.5	2.5	12.00	75	8.19	65TD350	65TD250
SWTA350-250-80-AA	SWTAS350-250-80-AA	3.5	2.5	12.00	80	7.93	65TD350	65TD250
SWTA350-300-75-AA	SWTAS350-300-75-AA	3.5	3	12.00	75	9.28	65TD350	65TD300
SWTA350-300-80-AA	SWTAS350-300-80-AA	3.5	3	12.00	80	8.99	65TD350	65TD300
SWTA350-350-75-AA	SWTAS350-350-75-AA	3.5	3.5	12.00	75	9.38	65TD350	65TD350
SWTA350-350-80-AA	SWTAS350-350-80-AA	3.5	3.5	12.00	80	9.06	65TD350	65TD350
SWTA400-200-75-AA	SWTAS400-200-75-AA	4	2	12.00	75	8.10	65TD400	65TD200
SWTA400-200-80-AA	SWTAS400-200-80-AA	4	2	12.00	80	7.88	65TD400	65TD200
SWTA400-250-75-AA	SWTAS400-250-75-AA	4	2.5	12.00	75	8.45	65TD400	65TD250
SWTA400-250-80-AA	SWTAS400-250-80-AA	4	2.5	12.00	80	8.19	65TD400	65TD250
SWTA400-300-75-AA	SWTAS400-300-75-AA	4	3	12.00	75	9.53	65TD400	65TD300
SWTA400-300-80-AA	SWTAS400-300-80-AA	4	3	12.00	80	9.24	65TD400	65TD300
SWTA400-350-75-AA	SWTAS400-350-75-AA	4	3.5	12.00	75	9.64	65TD400	65TD350
SWTA400-350-80-AA	SWTAS400-350-80-AA	4	3.5	12.00	80	9.31	65TD400	65TD350
SWTA400-400-45-AA	SWTAS400-400-45-AA	4	4	17.00	45	13.59	65TD400	65TD400
SWTA400-400-75-AA	SWTAS400-400-75-AA	4	4	12.00	75	10.20	65TD400	65TD400
SWTA400-400-80-AA	SWTAS400-400-80-AA	4	4	12.00	80	9.86	65TD400	65TD400

TEE/TEE CONNECTORS

continued

TYPE SWTA-AA, SWTAS-AA

Swage Bus Run to Angled Bus Tee

Ordering Information

AFL NO.		S.P.S.		DIMENSIONS IN INCHES			DIE SIZE	
SOLID PIPE	SPLIT PIPE	RUN	TAP	A	B	C	RUN	TAP
SWTA500-200-75-AA	SWTAS500-200-75-AA	5	2	14.50	75	8.62	85TD500	65TD200
SWTA500-200-80-AA	SWTAS500-200-80-AA	5	2	14.50	80	8.38	85TD500	65TD200
SWTA500-250-45-AA	SWTAS500-250-45-AA	5	2.5	17.00	45	11.86	85TD500	65TD250
SWTA500-250-75-AA	SWTAS500-250-75-AA	5	2.5	17.00	75	8.97	85TD500	65TD250
SWTA500-250-80-AA	SWTAS500-250-80-AA	5	2.5	17.00	80	8.70	85TD500	65TD250
SWTA500-300-75-AA	SWTAS500-300-75-AA	5	3	17.00	75	10.05	85TD500	65TD300
SWTA500-300-80-AA	SWTAS500-300-80-AA	5	3	17.00	80	9.75	85TD500	65TD300
SWTA500-350-75-AA	SWTAS500-350-75-AA	5	3.5	17.00	75	10.15	85TD500	65TD350
SWTA500-350-80-AA	SWTAS500-350-80-AA	5	3.5	17.00	80	9.82	85TD500	65TD350
SWTA500-400-75-AA	SWTAS500-400-75-AA	5	4	20.00	75	10.72	85TD500	65TD400
SWTA500-400-80-AA	SWTAS500-400-80-AA	5	4	20.00	80	10.36	85TD500	65TD400
SWTA500-500-75-AA	SWTAS500-500-75-AA	5	5	20.00	75	12.85	85TD500	85TD500
SWTA500-500-80-AA	SWTAS500-500-80-AA	5	5	20.00	80	12.45	85TD500	85TD500
SWTA600-200-75-AA	SWTAS600-200-75-AA	6	2	16.50	75	9.40	115TD600	65TD200
SWTA600-200-80-AA	SWTAS600-200-80-AA	6	2	16.50	80	9.14	115TD600	65TD200
SWTA600-250-75-AA	SWTAS600-250-75-AA	6	2.5	16.50	75	9.74	115TD600	65TD250
SWTA600-250-80-AA	SWTAS600-250-80-AA	6	2.5	16.50	80	9.46	115TD600	65TD250
SWTA600-300-75-AA	SWTAS600-300-75-AA	6	3	19.00	75	10.83	115TD600	65TD300
SWTA600-300-80-AA	SWTAS600-300-80-AA	6	3	19.00	80	10.51	115TD600	65TD300
SWTA600-350-75-AA	SWTAS600-350-75-AA	6	3.5	19.00	75	10.93	115TD600	65TD350
SWTA600-350-80-AA	SWTAS600-350-80-AA	6	3.5	19.00	80	10.58	115TD600	65TD350
SWTA600-400-75-AA	SWTAS600-400-75-AA	6	4	19.00	75	11.50	115TD600	65TD400
SWTA600-400-80-AA	SWTAS600-400-80-AA	6	4	19.00	80	11.13	115TD600	65TD400
SWTA600-500-75-AA	SWTAS600-500-75-AA	6	5	22.00	75	13.63	115TD600	85TD500
SWTA600-500-80-AA	SWTAS600-500-80-AA	6	5	22.00	80	13.21	115TD600	85TD500
SWTA600-600-75-AA	SWTAS600-600-75-AA	6	6	22.00	75	13.94	115TD600	115TD600
SWTA600-600-80-AA	SWTAS600-600-80-AA	6	6	22.00	80	13.46	115TD600	115TD600

TEE/TEE CONNECTORS

TYPE SWVBP-AA, SWVBPS-AA
Swage Bus A-Frame Connector

A Swage type A-frame connector for bus to bus. This is available in solid or split run pipe.

Material

Aluminum Alloy

Notes

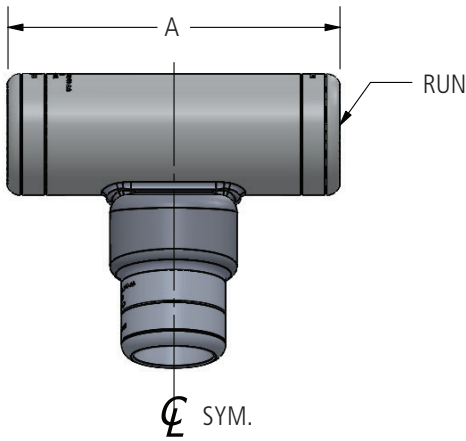
- Bore will be lined with AFL Filler compound (AFC) and capped.
- 5" and 6" S.P.S. parts require double swages.



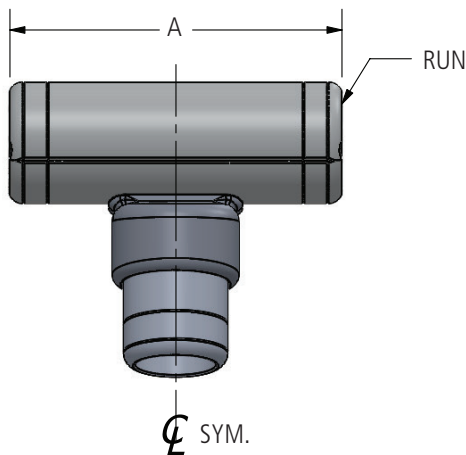
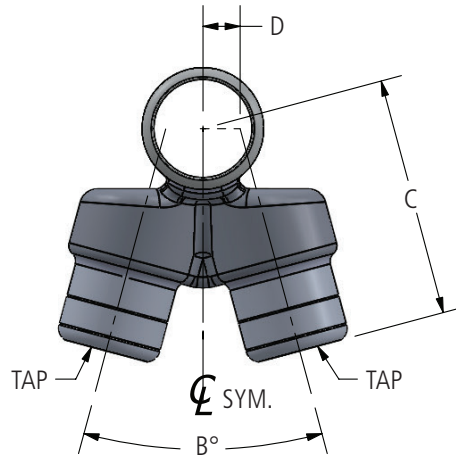
SWVBP-AA



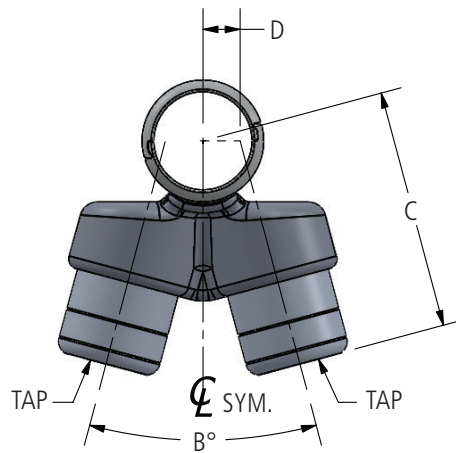
SWVBPS-AA



SOLID PIPE



SPLIT PIPE



continued
→



TYPE SWVBP-AA, SWVBPS-AA
Swage Bus A-Frame Connector

Ordering Information

AFL NO.		S.P.S.		DIMENSIONS IN INCHES				DIE SIZE		VOLTAGE RATING (kV)
SOLID PIPE	SPLIT PIPE	RUN	TAP	A	B	C	D	RUN	TAP	
SWVBP200-100-30-AA	SWVBPS200-100-30-AA	2	1	10.00	30	7.35	0.78	65TD200	65TD100	230
SWVBP200-150-30-AA	SWVBPS200-150-30-AA	2	1.5	10.00	30	7.48	1.01	65TD200	65TD150	230
SWVBP200-200-30-AA	SWVBPS200-200-30-AA	2	2	10.00	30	7.60	1.19	65TD200	65TD200	230
SWVBP250-100-30-AA	SWVBPS250-100-30-AA	2.5	1	10.00	30	7.64	0.70	65TD250	65TD100	345
SWVBP250-150-30-AA	SWVBPS250-150-30-AA	2.5	1.5	10.00	30	7.77	0.93	65TD250	65TD150	345
SWVBP250-200-30-AA	SWVBPS250-200-30-AA	2.5	2	10.00	30	7.89	1.11	65TD250	65TD200	345
SWVBP250-250-30-AA	SWVBPS250-250-30-AA	2.5	2.5	10.00	30	8.33	1.44	65TD250	65TD250	345
SWVBP300-100-30-AA	SWVBPS300-100-30-AA	3	1	12.00	30	8.01	0.60	65TD300	65TD100	500
SWVBP300-150-30-AA	SWVBPS300-150-30-AA	3	1.5	12.00	30	8.13	0.82	65TD300	65TD150	500
SWVBP300-200-30-AA	SWVBPS300-200-30-AA	3	2	12.00	30	8.25	1.00	65TD300	65TD200	500
SWVBP300-250-30-AA	SWVBPS300-250-30-AA	3	2.5	12.00	30	8.69	1.34	65TD300	65TD250	500
SWVBP300-300-30-AA	SWVBPS300-300-30-AA	3	3	12.00	30	8.85	1.62	65TD300	65TD300	500
SWVBP350-200-30-AA	SWVBPS350-200-30-AA	3.5	2	12.00	30	8.54	0.92	65TD350	65TD200	500
SWVBP350-250-30-AA	SWVBPS350-250-30-AA	3.5	2.5	12.00	30	8.98	1.26	65TD350	65TD250	500
SWVBP350-300-30-AA	SWVBPS350-300-30-AA	3.5	3	12.00	30	9.13	1.54	65TD350	65TD300	500
SWVBP350-350-30-AA	SWVBPS350-350-30-AA	3.5	3.5	12.00	30	9.07	1.88	65TD350	65TD350	500
SWVBP400-200-30-AA	SWVBPS400-200-30-AA	4	2	12.00	30	8.87	0.83	65TD400	65TD200	500
SWVBP400-250-20-AA	SWVBPS400-250-20-AA	4	2.5	12.00	20	9.04	1.77	65TD400	65TD250	500
SWVBP400-250-30-AA	SWVBPS400-250-30-AA	4	2.5	12.00	30	9.31	1.17	65TD400	65TD250	500
SWVBP400-300-30-AA	SWVBPS400-300-30-AA	4	3	12.00	30	9.46	1.45	65TD400	65TD300	500
SWVBP400-350-30-AA	SWVBPS400-350-30-AA	4	3.5	12.00	30	9.40	1.79	65TD400	65TD350	500
SWVBP400-400-20-AA	SWVBPS400-400-20-AA	4	4	12.00	20	9.64	2.79	65TD400	65TD400	500
SWVBP400-400-30-AA	SWVBPS400-400-30-AA	4	4	12.00	30	10.06	2.13	65TD400	65TD400	500
SWVBP500-200-30-AA	SWVBPS500-200-30-AA	5	2	17.00	30	9.31	0.71	85TD500	65TD200	500
SWVBP500-250-30-AA	SWVBPS500-250-30-AA	5	2.5	17.00	30	9.75	1.05	85TD500	65TD250	500
SWVBP500-300-30-AA	SWVBPS500-300-30-AA	5	3	17.00	30	9.91	1.33	85TD500	65TD300	500
SWVBP500-350-30-AA	SWVBPS500-350-30-AA	5	3.5	17.00	30	9.84	1.66	85TD500	65TD350	500
SWVBP500-400-30-AA	SWVBPS500-400-30-AA	5	4	20.00	30	10.50	2.01	85TD500	65TD400	500
SWVBP500-500-30-AA	SWVBPS500-500-30-AA	5	5	20.00	30	12.88	2.46	85TD500	85TD500	500
SWVBP600-200-30-AA	SWVBPS600-200-30-AA	6	2	19.00	30	10.11	0.49	115TD600	65TD200	500
SWVBP600-250-30-AA	SWVBPS600-250-30-AA	6	2.5	19.00	30	10.55	0.82	115TD600	65TD250	500
SWVBP600-300-30-AA	SWVBPS600-300-30-AA	6	3	19.00	30	10.71	1.10	115TD600	65TD300	500
SWVBP600-350-30-AA	SWVBPS600-350-30-AA	6	3.5	19.00	30	10.65	1.44	115TD600	65TD350	500
SWVBP600-400-20-AA	SWVBPS600-400-20-AA	6	4	22.00	20	10.90	2.56	115TD600	65TD400	500
SWVBP600-400-30-AA	SWVBPS600-400-30-AA	6	4	22.00	30	11.30	1.79	115TD600	65TD400	500
SWVBP600-500-30-AA	SWVBPS600-500-30-AA	6	5	22.00	30	13.68	2.24	115TD600	85TD500	500
SWVBP600-600-20-AA	SWVBPS600-600-20-AA	6	6	22.00	20	14.69	3.69	115TD600	115TD600	500
SWVBP600-600-30-AA	SWVBPS600-600-30-AA	6	6	22.00	30	15.33	3.04	115TD600	115TD600	500

SWAGE360® Bus Accessories