

## TYPE SWCR-AA Swage Bus Reducer Splice

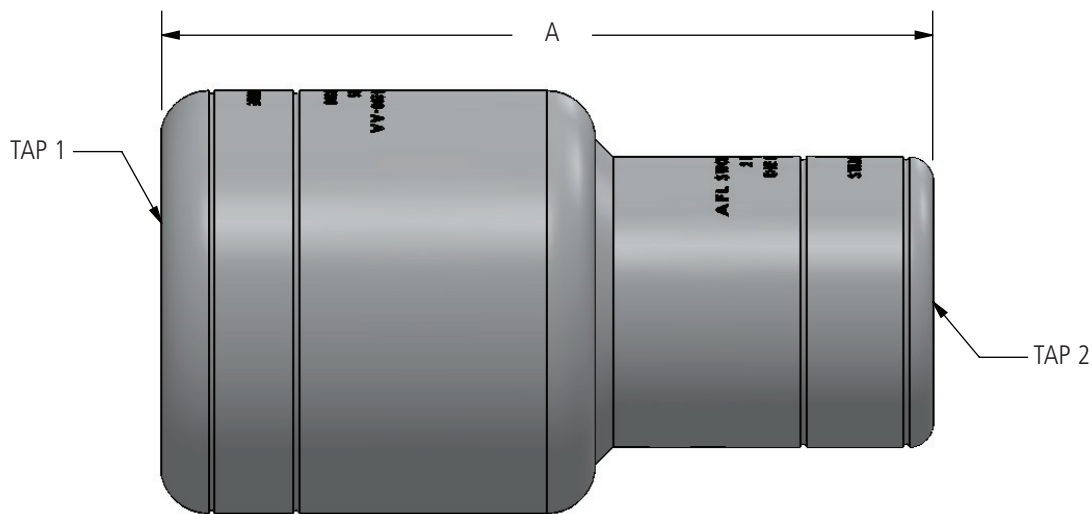
A Swage type reducer splice for bus.

### Material

Aluminum Alloy

### Notes

- Bore will be lined with AFL Filler compound (AFC) and capped.
- 5" and 6" S.P.S. parts require double swages.



### Ordering Information

AFL NO.	S.P.S.		DIMENSIONS IN INCHES	DIE SIZE		VOLTAGE RATING (kV)
	TAP 1	TAP 2		TAP 1	TAP 2	
SWCR150-100-AA	1.5	1	6.38	65TD150	65TD100	230
SWCR200-150-AA	2	1.5	6.88	65TD200	65TD150	230
SWCR250-200-AA	2.5	2	7.25	65TD250	65TD200	230
SWCR300-150-AA	3	1.5	8.00	65TD300	65TD150	230
SWCR300-200-AA	3	2	8.00	65TD300	65TD200	230
SWCR300-250-AA	3	2.5	8.00	65TD300	65TD250	230
SWCR350-300-AA	3.5	3	8.13	65TD350	65TD300	500
SWCR400-200-AA	4	2	8.38	65TD400	65TD200	230
SWCR400-250-AA	4	2.5	8.38	65TD400	65TD250	230
SWCR400-300-AA	4	3	8.38	65TD400	65TD300	500
SWCR400-350-AA	4	3.5	8.38	65TD400	65TD350	500
SWCR500-200-AA	5	2	10.48	85TD500	65TD200	500
SWCR500-250-AA	5	2.5	10.48	85TD500	65TD250	500
SWCR500-300-AA	5	3	10.48	85TD500	65TD300	500
SWCR500-350-AA	5	3.5	10.48	85TD500	65TD350	500
SWCR500-400-AA	5	4	10.48	85TD500	65TD400	500
SWCR600-200-AA	6	2	11.23	115TD600	65TD200	500
SWCR600-250-AA	6	2.5	11.23	115TD600	65TD250	500
SWCR600-300-AA	6	3	11.23	115TD600	65TD300	500
SWCR600-350-AA	6	3.5	11.23	115TD600	65TD350	500
SWCR600-400-AA	6	4	11.23	115TD600	65TD400	500
SWCR600-500-AA	6	5	13.23	115TD600	85TD500	500