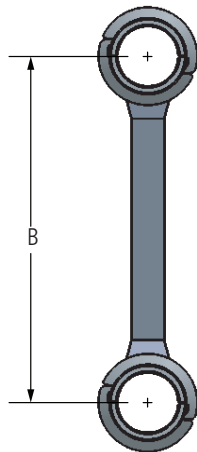
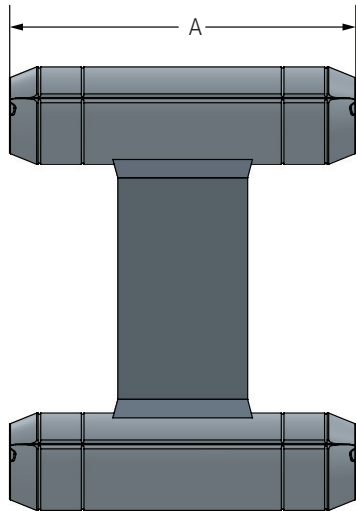


TYPE SWAS-AA
Swage Split Cable Spacer

Material

Aluminum Alloy



Ordering Information

| AFL NO. | CABLE RANGE | | DIMENSIONS IN INCHES | | DIE SIZE | EST. WEIGHT (LBS) | VOLTAGE RATING |
|----------------|-------------|--|----------------------|-------|----------|-------------------|----------------|
| | AAC | ACSR | A | B | | | |
| SWAS1613-8-AA | 2/0 | 1/0 | 9.00 | 8.00 | 45TD16 | 2.51 | 230 |
| SWAS1613-12-AA | 2/0 | 1/0 | 9.00 | 12.00 | 45TD16 | 3.39 | 230 |
| SWAS1625-8-AA | 250 | 4/0 | 9.00 | 8.00 | 45TD16 | 2.26 | 230 |
| SWAS1625-12-AA | 250 | 4/0 | 9.00 | 12.00 | 45TD16 | 3.15 | 230 |
| SWAS2026-8-AA | 266.8 | 266.8 (18/1) | 9.00 | 8.00 | 45TD20 | 2.90 | 345 |
| SWAS2026-12-AA | 266.8 | 266.8 (18/1) | 9.00 | 12.00 | 45TD20 | 3.78 | 345 |
| SWAS2030-8-AA | 300 | 266.8 (26/7) | 9.00 | 8.00 | 45TD20 | 2.83 | 345 |
| SWAS2030-12-AA | 300 | 266.8 (26/7) | 9.00 | 12.00 | 45TD20 | 3.72 | 345 |
| SWAS2035-8-AA | 336.4, 350 | 300 (26/7), 336.4 (18/1) | 9.00 | 8.00 | 45TD20 | 2.74 | 345 |
| SWAS2035-12-AA | 336.4, 350 | 300 (26/7), 336.4 (18/1) | 9.00 | 12.00 | 45TD20 | 3.62 | 345 |
| SWAS2039-8-AA | 397.5 | 336.4 (26/7), 336.4 (30/7), 397.5 (18/1) | 9.00 | 8.00 | 45TD20 | 2.62 | 345 |
| SWAS2039-12-AA | 397.5 | 336.4 (26/7), 336.4 (30/7), 397.5 (18/1) | 9.00 | 12.00 | 45TD20 | 3.50 | 345 |
| SWAS2445-8-AA | 450 | 397.5 (24/7), 397.5 (26/7) | 9.13 | 8.00 | 45TD24 | 3.41 | 345 |
| SWAS2445-12-AA | 450 | 397.5 (24/7), 397.5 (26/7) | 9.13 | 12.00 | 45TD24 | 4.29 | 345 |
| SWAS2447-8-AA | 477 | 397.5 (30/7) | 9.13 | 8.00 | 45TD24 | 3.35 | 345 |
| SWAS2447-12-AA | 477 | 397.5 (30/7) | 9.13 | 12.00 | 45TD24 | 4.23 | 345 |
| SWAS2450-8-AA | 500 | 477 (18/1) | 9.13 | 8.00 | 45TD24 | 3.32 | 345 |
| SWAS2450-12-AA | 500 | 477 (18/1) | 9.13 | 12.00 | 45TD24 | 4.20 | 345 |
| SWAS2455-8-AA | 556.5 | 477 (24/7), 477 (26/7) | 9.13 | 8.00 | 45TD24 | 3.19 | 345 |
| SWAS2455-12-AA | 556.5 | 477 (24/7), 477 (26/7) | 9.13 | 12.00 | 45TD24 | 4.07 | 345 |
| SWAS2860-8-AA | 600 | 477 (30/7), 556.5 (18/1) | 10.00 | 8.00 | 45TD28 | 4.38 | 345 |
| SWAS2860-12-AA | 600 | 477 (30/7), 556.5 (18/1) | 10.00 | 12.00 | 45TD28 | 5.26 | 345 |
| SWAS2863-8-AA | 636 | 556.5 (24/7), 556.5 (26/7) | 10.00 | 8.00 | 45TD28 | 4.30 | 345 |
| SWAS2863-12-AA | 636 | 556.5 (24/7), 556.5 (26/7) | 10.00 | 12.00 | 45TD28 | 5.19 | 345 |
| SWAS2871-8-AA | 700, 715.5 | 556.5 (30/7), 605 (24/7), 605 (26/7), 636 (18/1), 636 (36/1) | 10.00 | 8.00 | 45TD28 | 4.17 | 345 |
| SWAS2871-12-AA | 700, 715.5 | 556.5 (30/7), 605 (24/7), 605 (26/7), 636 (18/1), 636 (36/1) | 10.00 | 12.00 | 45TD28 | 5.05 | 345 |
| SWAS3075-8-AA | 750 | 605 (30/7), 605 (30/19), 636 (24/7), 636 (26/7) | 10.00 | 8.00 | 45TD30 | 4.70 | 345 |
| SWAS3075-12-AA | 750 | 605 (30/7), 605 (30/19), 636 (24/7), 636 (26/7) | 10.00 | 12.00 | 45TD30 | 5.58 | 345 |

continued
→



TYPE SWAS-AA
Swage Split Cable Spacer

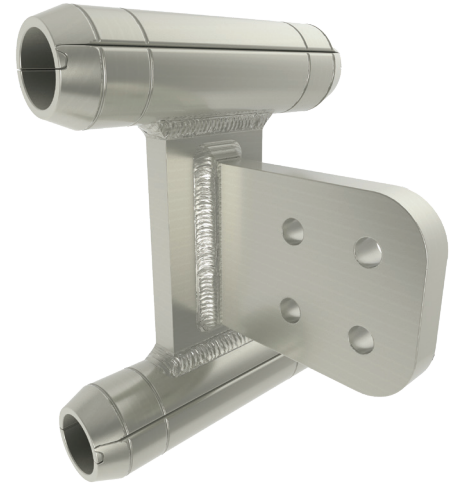
Ordering Information

| AFL NO. | CABLE RANGE | | DIMENSIONS IN INCHES | | DIE SIZE | EST. WEIGHT (LBS) | VOLTAGE RATING |
|-----------------|-------------|---|----------------------|-------|----------|-------------------|----------------|
| | AAC | ACSR | A | B | | | |
| SWAS3079-4-AA | 795 | 636 (30/7), 636 (30/19), 666.6 (24/7), 666.6 (26/7), 715.5 (24/7), 715.5 (54/7), 795 (36/1) | 10.00 | 4.00 | 45TD30 | 3.67 | 345 |
| SWAS3079-6-AA | 795 | 636 (30/7), 636 (30/19), 666.6 (24/7), 666.6 (26/7), 715.5 (24/7), 715.5 (54/7), 795 (36/1) | 10.00 | 6.00 | 45TD30 | 4.50 | 345 |
| SWAS3079-8-AA | 795 | 636 (30/7), 636 (30/19), 666.6 (24/7), 666.6 (26/7), 715.5 (24/7), 715.5 (54/7), 795 (36/1) | 10.00 | 8.00 | 45TD30 | 4.55 | 345 |
| SWAS3079-12-AA | 795 | 636 (30/7), 636 (30/19), 666.6 (24/7), 666.6 (26/7), 715.5 (24/7), 715.5 (54/7), 795 (36/1) | 10.00 | 12.00 | 45TD30 | 5.43 | 345 |
| SWAS3087-8-AA | 874.5 | 715.5 (26/7), 715.5 (30/19), 795 (45/7) | 10.00 | 8.00 | 45TD30 | 4.37 | 345 |
| SWAS3087-12-AA | 874.5 | 715.5 (26/7), 715.5 (30/19), 795 (45/7) | 10.00 | 12.00 | 45TD30 | 5.26 | 345 |
| SWAS3290-6-AA | 900 | 795 (24/7), 795 (54/7), 795 (26/7) | 10.00 | 6.00 | 45TD32 | 4.90 | 500 |
| SWAS3290-8-AA | 900 | 795 (24/7), 795 (54/7), 795 (26/7) | 10.00 | 8.00 | 45TD32 | 4.94 | 500 |
| SWAS3290-12-AA | 900 | 795 (24/7), 795 (54/7), 795 (26/7) | 10.00 | 12.00 | 45TD32 | 5.82 | 500 |
| SWAS3295-8-AA | 954 | 795 (30/19), 900 (45/7) | 10.00 | 8.00 | 45TD32 | 4.89 | 500 |
| SWAS3295-12-AA | 954 | 795 (30/19), 900 (45/7) | 10.00 | 12.00 | 45TD32 | 5.78 | 500 |
| SWAS32100-8-AA | 1000 | 874.5 (54/7), 900 (54/7), 954 (45/7) | 10.00 | 8.00 | 45TD32 | 4.81 | 500 |
| SWAS32100-12-AA | 1000 | 874.5 (54/7), 900 (54/7), 954 (45/7) | 10.00 | 12.00 | 45TD32 | 5.69 | 500 |
| SWAS32103-8-AA | 1033.5 | 954 (54/7) | 10.00 | 8.00 | 45TD32 | 4.71 | 500 |
| SWAS32103-12-AA | 1033.5 | 954 (54/7) | 10.00 | 12.00 | 45TD32 | 5.59 | 500 |
| SWAS32111-8-AA | 1113 | 1033.5 (45/7), 1033.5 (54/7) | 10.00 | 8.00 | 45TD32 | 4.52 | 500 |
| SWAS32111-12-AA | 1113 | 1033.5 (45/7), 1033.5 (54/7) | 10.00 | 12.00 | 45TD32 | 5.40 | 500 |
| SWAS36119-8-AA | 1192.5 | 1113 (45/7) | 10.50 | 8.00 | 45TD36 | 6.12 | 500 |
| SWAS36119-12-AA | 1192.5 | 1113 (45/7) | 10.50 | 12.00 | 45TD36 | 7.00 | 500 |
| SWAS36127-4-AA | 1272 | 1113 (54/19), 1192.5 (45/7) | 10.50 | 4.00 | 45TD36 | 5.09 | 500 |
| SWAS36127-6-AA | 1272 | 1113 (54/19), 1192.5 (45/7) | 10.50 | 6.00 | 45TD36 | 5.53 | 500 |
| SWAS36127-8-AA | 1272 | 1113 (54/19), 1192.5 (45/7) | 10.50 | 8.00 | 45TD36 | 5.97 | 500 |
| SWAS36127-12-AA | 1272 | 1113 (54/19), 1192.5 (45/7) | 10.50 | 12.00 | 45TD36 | 6.86 | 500 |
| SWAS36135-8-AA | 1351.5 | 1192.5 (54/19), 1272 (45/7) | 10.50 | 8.00 | 45TD36 | 5.96 | 500 |
| SWAS36135-12-AA | 1351.5 | 1192.5 (54/19), 1272 (45/7) | 10.50 | 12.00 | 45TD36 | 6.84 | 500 |
| SWAS36143-8-AA | 1431 | 1272 (54/19), 1351.5 (45/7) | 10.50 | 8.00 | 45TD36 | 5.78 | 500 |
| SWAS36143-12-AA | 1431 | 1272 (54/19), 1351.5 (45/7) | 10.50 | 12.00 | 45TD36 | 6.66 | 500 |
| SWAS36151-8-AA | 1510.5 | 1351.5 (54/19), 1431 (45/7) | 10.50 | 8.00 | 45TD36 | 5.60 | 500 |
| SWAS36151-12-AA | 1510.5 | 1351.5 (54/19), 1431 (45/7) | 10.50 | 12.00 | 45TD36 | 6.48 | 500 |
| SWAS36159-4-AA | 1590 | 1431 (54/19), 1510.5 (45/7) | 10.50 | 4.00 | 45TD36 | 6.00 | 500 |
| SWAS36159-8-AA | 1590 | 1431 (54/19), 1510.5 (45/7) | 10.50 | 8.00 | 45TD36 | 5.45 | 500 |
| SWAS36159-12-AA | 1590 | 1431 (54/19), 1510.5 (45/7) | 10.50 | 12.00 | 45TD36 | 6.34 | 500 |
| SWAS36159-18-AA | 1590 | 1431 (54/19), 1510.5 (45/7) | 10.50 | 18.00 | 45TD36 | 6.20 | 500 |
| SWAS36175-8-AA | 1750 | 1510.5 (54/19), 1590 (45/7) | 10.50 | 8.00 | 45TD36 | 5.07 | 500 |
| SWAS36175-12-AA | 1750 | 1510.5 (54/19), 1590 (45/7) | 10.50 | 12.00 | 45TD36 | 5.95 | 500 |
| SWAS36175-18-AA | 1750 | 1510.5 (54/19), 1590 (45/7) | 10.50 | 18.00 | 45TD36 | 5.82 | 500 |
| SWAS36180-8-AA | 1800 | 1590 (54/19) | 10.50 | 8.00 | 45TD36 | 4.90 | 500 |
| SWAS36180-12-AA | 1800 | 1590 (54/19) | 10.50 | 12.00 | 45TD36 | 5.79 | 500 |
| SWAS36180-18-AA | 1800 | 1590 (54/19) | 10.50 | 18.00 | 45TD36 | 7.11 | 500 |
| SWAS44200-6-AA | 2000 | 1780 (84/19) | 11.50 | 6.00 | 65TD44L | 8.40 | 500 |
| SWAS44200-8-AA | 2000 | 1780 (84/19) | 11.50 | 8.00 | 65TD44L | 8.84 | 500 |
| SWAS44200-12-AA | 2000 | 1780 (84/19) | 11.50 | 12.00 | 65TD44L | 9.72 | 500 |
| SWAS44230-8-AA | 2250 | 2156 (84/19), 2167 (72/7) | 11.50 | 8.00 | 65TD44L | 8.22 | 500 |
| SWAS44230-12-AA | 2250 | 2156 (84/19), 2167 (72/7) | 11.50 | 12.00 | 65TD44L | 9.11 | 500 |
| SWAS44250-8-AA | 2500 | 2312 (76/19) | 11.50 | 8.00 | 65TD44L | 7.61 | 500 |
| SWAS44250-12-AA | 2500 | 2312 (76/19) | 11.50 | 12.00 | 65TD44L | 8.49 | 500 |
| SWAS44250-18-AA | 2500 | 2312 (76/19) | 11.50 | 18.00 | 65TD44L | 9.82 | 500 |

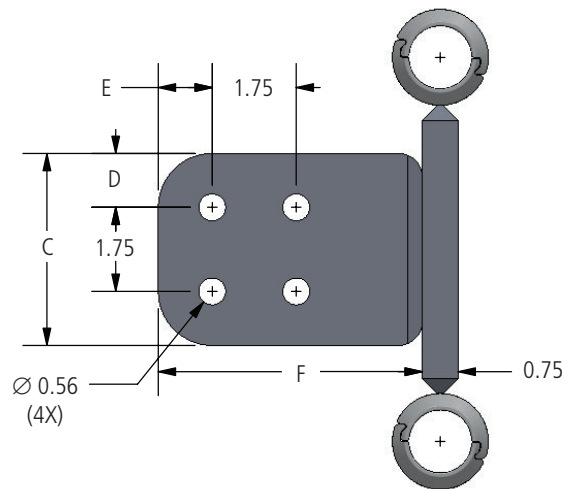
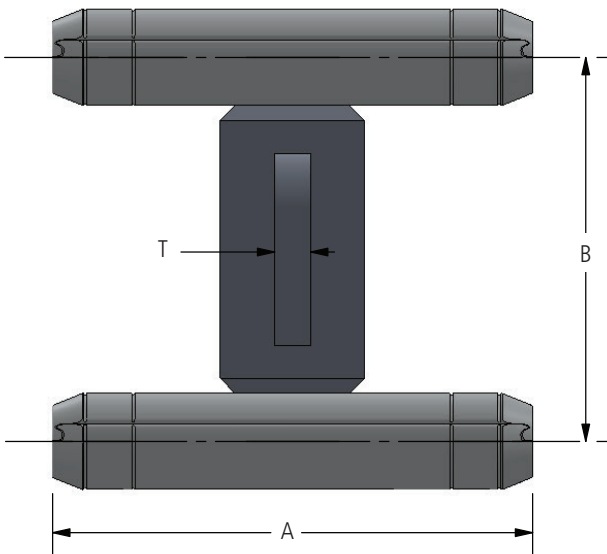
TYPE SWAS-N-AA
Swage Split Cable Spacer with NEMA Pad

Material

Aluminum Alloy



SWAGE360® Cable Accessories



Ordering Information

| AFL NO. | CABLE RANGE | | DIMENSIONS IN INCHES | | | | | | | DIE SIZE |
|-------------------|-------------|--|----------------------|------|------|------|------|------|------|----------|
| | AAC | ACSR | A | B | C | D | E | F | T | |
| SWAS1613-8-4N4-AA | 2/0 | 1/0 | 9.00 | 8.00 | 4.00 | 1.13 | 1.13 | 5.50 | 0.75 | 45TD16 |
| SWAS1625-8-4N4-AA | 250 | 4/0 | 9.00 | 8.00 | 4.00 | 1.13 | 1.13 | 5.50 | 0.75 | 45TD16 |
| SWAS2026-8-4N4-AA | 266.8 | 266.8 (18/1) | 9.00 | 8.00 | 4.00 | 1.13 | 1.13 | 5.50 | 0.75 | 45TD20 |
| SWAS2030-8-4N4-AA | 300 | 266.8 (26/7) | 9.00 | 8.00 | 4.00 | 1.13 | 1.13 | 5.50 | 0.75 | 45TD20 |
| SWAS2035-8-4N4-AA | 336.4, 350 | 300 (26/7), 336.4 (18/1) | 9.00 | 8.00 | 4.00 | 1.13 | 1.13 | 5.50 | 0.75 | 45TD20 |
| SWAS2039-8-4N4-AA | 397.5 | 336.4 (26/7), 336.4 (30/7), 397.5 (18/1) | 9.00 | 8.00 | 4.00 | 1.13 | 1.13 | 5.50 | 0.75 | 45TD20 |
| SWAS2445-8-4N4-AA | 450 | 397.5 (24/7), 397.5 (26/7) | 9.13 | 8.00 | 4.00 | 1.13 | 1.13 | 5.50 | 0.75 | 45TD24 |
| SWAS2447-8-4N4-AA | 477 | 397.5 (30/7) | 9.13 | 8.00 | 4.00 | 1.13 | 1.13 | 5.50 | 0.75 | 45TD24 |
| SWAS2450-8-4N4-AA | 500 | 477 (18/1) | 9.13 | 8.00 | 4.00 | 1.13 | 1.13 | 5.50 | 0.75 | 45TD24 |
| SWAS2455-8-4N4-AA | 556.5 | 477 (24/7), 477 (26/7) | 9.13 | 8.00 | 4.00 | 1.13 | 1.13 | 5.50 | 0.75 | 45TD24 |

continued

TYPE SWAS-N-AA
Swage Split Cable Spacer with NEMA Pad

Ordering Information

| AFL NO. | CABLE RANGE | | DIMENSIONS IN INCHES | | | | | | | DIE SIZE |
|---------------------|-------------|--|----------------------|-------|------|------|------|------|------|----------|
| | AAC | ACSR | A | B | C | D | E | F | T | |
| SWAS2860-8-4N4-AA | 600 | 477 (30/7), 556.5 (18/1) | 10.00 | 8.00 | 4.00 | 1.13 | 1.13 | 5.50 | 0.75 | 45TD28 |
| SWAS2863-8-4N4-AA | 636 | 556.5 (24/7), 556.5 (26/7) | 10.00 | 8.00 | 4.00 | 1.13 | 1.13 | 5.50 | 0.75 | 45TD28 |
| SWAS2871-8-4N4-AA | 700, 715.5 | 556.5 (30/7), 605 (24/7), 605 (26/7), 636 (18/1), 636 (36/1) | 10.00 | 8.00 | 4.00 | 1.13 | 1.13 | 5.50 | 0.75 | 45TD28 |
| SWAS3075-8-4N4-AA | 750 | 605 (30/7), 605 (30/19), 636 (24/7), 636 (26/7) | 10.00 | 8.00 | 4.00 | 1.13 | 1.13 | 5.50 | 0.75 | 45TD30 |
| SWAS3079-8-4N4-AA | 795 | 636 (30/7), 636 (30/19), 666.6 (24/7), 666.6 (26/7), 715.5 (24/7), 715.5 (54/7), 795 (36/1) | 10.00 | 8.00 | 4.00 | 1.13 | 1.13 | 5.50 | 0.75 | 45TD30 |
| SWAS3079-6-4N4-AA | 795 | 636 (30/7), 636 (30/19), 666.6 (24/7), 666.6 (26/7), 715.5 (24/7), 715.5 (54/7), 795 (36/1) | 10.00 | 6.00 | 4.00 | 1.13 | 1.13 | 5.50 | 0.75 | 45TD30 |
| SWAS3087-8-4N4-AA | 874.5 | 715.5 (26/7), 715.5 (30/19), 795 (45/7) | 10.00 | 8.00 | 4.00 | 1.13 | 1.13 | 5.50 | 0.75 | 45TD30 |
| SWAS3290-8-4N4-AA | 900 | 795 (24/7), 795 (54/7), 795 (26/7) | 10.00 | 8.00 | 4.00 | 1.13 | 1.13 | 5.50 | 0.75 | 45TD32 |
| SWAS3295-6-4N4-AA | 954 | 795 (30/19), 900 (45/7) | 10.00 | 6.00 | 4.00 | 1.13 | 1.13 | 5.50 | 0.75 | 45TD32 |
| SWAS3295-8-4N4-AA | 954 | 795 (30/19), 900 (45/7) | 10.00 | 8.00 | 4.00 | 1.13 | 1.13 | 5.50 | 0.75 | 45TD32 |
| SWAS32100-8-4N4-AA | 1000 | 874.5 (54/7), 900 (54/7), 954 (45/7) | 10.00 | 8.00 | 4.00 | 1.13 | 1.13 | 5.50 | 0.75 | 45TD32 |
| SWAS32103-8-4N4-AA | 1033.5 | 954 (54/7) | 10.00 | 8.00 | 4.00 | 1.13 | 1.13 | 5.50 | 0.75 | 45TD32 |
| SWAS32111-8-4N-AA | 1113 | 1033.5 (45/7), 1033.5 (54/7) | 10.00 | 8.00 | 3.00 | 0.63 | 0.63 | 4.50 | 0.75 | 45TD32 |
| SWAS32111-8-4N4-AA | 1113 | 1033.5 (45/7), 1033.5 (54/7) | 10.00 | 8.00 | 4.00 | 1.13 | 1.13 | 5.50 | 0.75 | 45TD32 |
| SWAS36119-8-4N4-AA | 1192.5 | 1113 (45/7) | 10.50 | 8.00 | 4.00 | 1.13 | 1.13 | 5.50 | 0.75 | 45TD36 |
| SWAS36127-8-4N4-AA | 1272 | 1113 (54/19), 1192.5 (45/7) | 10.50 | 8.00 | 4.00 | 1.13 | 1.13 | 5.50 | 0.75 | 45TD36 |
| SWAS36127-12-4N4-AA | 1272 | 1113 (54/19), 1192.5 (45/7) | 10.50 | 12.00 | 4.00 | 1.13 | 1.13 | 5.50 | 0.75 | 45TD36 |
| SWAS36127-18-4N4-AA | 1272 | 1113 (54/19), 1192.5 (45/7) | 10.50 | 18.00 | 4.00 | 1.13 | 1.13 | 5.50 | 0.75 | 45TD36 |
| SWAS36135-8-4N4-AA | 1351.5 | 1192.5 (54/19), 1272 (45/7) | 10.50 | 8.00 | 4.00 | 1.13 | 1.13 | 5.50 | 0.75 | 45TD36 |
| SWAS36143-8-4N4-AA | 1431 | 1272 (54/19), 1351.5 (45/7) | 10.50 | 8.00 | 4.00 | 1.13 | 1.13 | 5.50 | 0.75 | 45TD36 |
| SWAS36151-8-4N4-AA | 1510.5 | 1351.5 (54/19), 1431 (45/7) | 10.50 | 8.00 | 4.00 | 1.13 | 1.13 | 5.50 | 0.75 | 45TD36 |
| SWAS36159-8-4N4-AA | 1590 | 1431 (54/19), 1510.5 (45/7) | 10.50 | 8.00 | 4.00 | 1.13 | 1.13 | 5.50 | 0.75 | 45TD36 |
| SWAS36175-8-4N4-AA | 1750 | 1510.5 (54/19), 1590 (45/7) | 10.50 | 8.00 | 4.00 | 1.13 | 1.13 | 5.50 | 0.75 | 45TD36 |
| SWAS36180-8-4N4-AA | 1800 | 1590 (54/19) | 10.50 | 8.00 | 4.00 | 1.13 | 1.13 | 5.50 | 0.75 | 45TD36 |
| SWAS36180-18-4N4-AA | 1800 | 1590 (54/19) | 10.50 | 18.00 | 4.00 | 1.13 | 1.13 | 5.50 | 0.75 | 45TD36 |
| SWAS44200-8-4N4-AA | 2000 | 1780 (84/19) | 11.50 | 8.00 | 4.00 | 1.13 | 1.13 | 5.50 | 1.00 | 65TD44 |
| SWAS44230-8-4N4-AA | 2250, 2300 | 2156 (84/19), 2167 (72/7) | 11.50 | 8.00 | 4.00 | 1.13 | 1.13 | 5.50 | 1.00 | 65TD44 |
| SWAS44230-18-4N4-AA | 2250, 2300 | 2156 (84/19), 2167 (72/7) | 11.50 | 18.00 | 4.00 | 1.13 | 1.13 | 5.50 | 1.00 | 65TD44 |
| SWAS44250-8-4N4-AA | 2500 | 2312 (76/19) | 11.50 | 8.00 | 4.00 | 1.13 | 1.13 | 5.50 | 1.00 | 65TD44 |