

TYPE PSS-AA, PSS-CH-AA

Pipe Bus Support Slide or Tight Fit

A high strength aluminum support for securing a tubular bus to a post or pedestal type insulator. Designed with a high resistance to impact and sustained cantilever and torsion stresses. Entire unit is non-magnetic and corrosion resistant. Nuts and bolts are furnished for base mounting or slotted mounting. Reversible cap permits rigid or slip fit on conductor.

Material

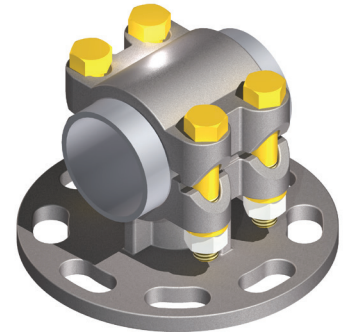
Aluminum Alloy

Hardware

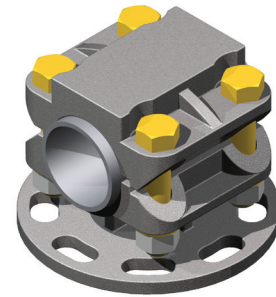
Yellow anodized aluminum bolts, nuts, and lockwashers. Galvanized steel base mounting hardware is included.

Note

For base mounting dimensions and hardware see page 3 in the general catalog index.



PSS-AA



PSS-CH-AA

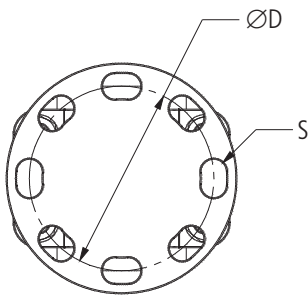
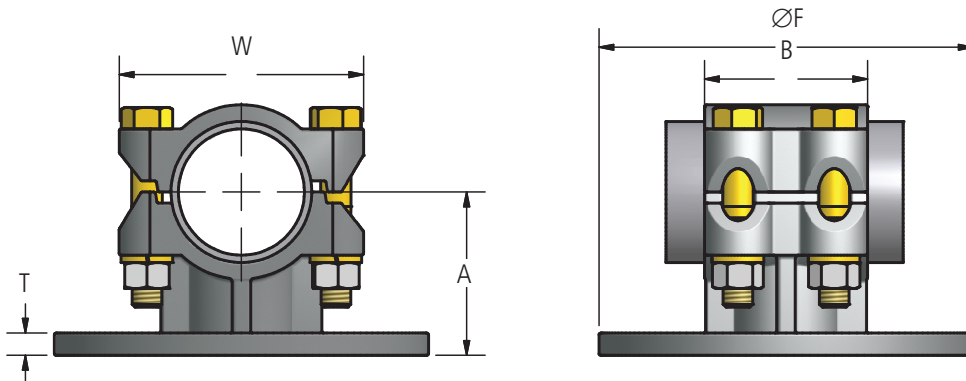


FIG. 1

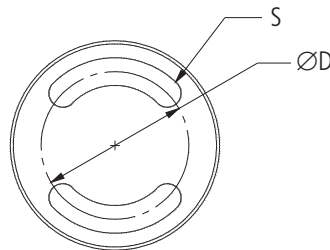


FIG. 2

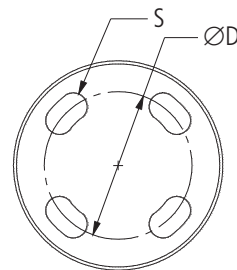


FIG. 3

AFL's Dossert® product line offers a wide range of substation accessories in low voltage up to 765 kV applications in bronze or aluminum materials.

TYPE PSS-AA, PSS-CH-AA

Pipe Bus Support Slide or Tight Fit

Ordering Information

CATALOG NUMBER		SPS	FIG. NO.	DIMENSIONS IN INCHES							BOLT SIZE
STANDARD	WITH CHATTER SPRING			A	B	D	F	S	T	W	
PSS50-3-AA	PSS50-3-CH-AA	1/2	2	1.75	2.06	3.00	4.25	0.50	0.38	2.41	1/2
PSS50-5-AA	PSS50-5-CH-AA	1/2	1	2.13	2.50	5.00	6.25	0.69	0.38	2.63	1/2
PSS75-3-AA	PSS75-3-CH-AA	3/4	1	2.00	2.75	3.00	4.25	0.56	0.38	2.81	1/2
PSS75-5-AA	PSS75-5-CH-AA	3/4	1	2.25	2.75	5.00	6.25	0.69	0.38	2.81	1/2
PSS100-3-AA	PSS100-3-CH-AA	1	1	2.00	2.75	3.00	4.25	0.56	0.38	3.06	1/2
PSS100-5-AA	PSS100-5-CH-AA	1	1	2.25	2.75	5.00	6.25	0.69	0.38	3.06	1/2
PSS125-3-AA	PSS125-3-CH-AA	1 1/4	3	2.25	3.00	3.00	4.25	0.56	0.38	3.75	1/2
PSS125-5-AA	PSS125-5-CH-AA	1 1/4	1	2.38	3.00	5.00	6.25	0.69	0.38	3.41	1/2
PSS150-3-AA	PSS150-3-CH-AA	1 1/2	1	2.50	3.00	3.00	4.25	0.56	0.38	3.66	1/2
PSS150-5-AA	PSS150-5-CH-AA	1 1/2	1	2.50	3.00	5.00	6.25	0.69	0.38	3.66	1/2
PSS200-3-AA	PSS200-3-CH-AA	2	1	2.75	3.25	3.00	4.25	0.56	0.38	4.13	1/2
PSS200-5-AA	PSS200-5-CH-AA	2	1	2.75	3.25	5.00	6.25	0.69	0.38	4.13	1/2
PSS250-3-AA	PSS250-3-CH-AA	2 1/2	1	3.13	3.25	3.00	4.25	0.56	0.38	4.63	1/2
PSS250-5-AA	PSS250-5-CH-AA	2 1/2	1	3.13	3.25	5.00	6.25	0.69	0.38	4.63	1/2
PSS300-3-AA	PSS300-3-CH-AA	3	1	3.63	3.75	3.00	4.25	0.56	0.44	4.63	5/8
PSS300-5-AA	PSS300-5-CH-AA	3	1	3.63	3.75	5.00	6.25	0.69	0.44	4.63	5/8
PSS350-3-AA	PSS350-3-CH-AA	3 1/2	1	4.00	3.75	3.00	4.25	0.56	0.44	6.13	5/8
PSS350-5-AA	PSS350-5-CH-AA	3 1/2	1	4.00	3.75	5.00	6.25	0.69	0.44	6.13	5/8
PSS350-7-AA	PSS350-7-CH-AA	3 1/2	1	4.00	3.75	7.00	8.25	0.81	0.50	6.13	3/4
PSS400-3-AA	PSS400-3-CH-AA	4	3	4.50	3.75	3.00	4.25	0.56	0.38	6.63	5/8
PSS400-5-AA	PSS400-5-CH-AA	4	1	4.50	3.75	5.00	6.25	0.69	0.50	7.13	5/8
PSS400-7-AA	PSS400-7-CH-AA	4	1	4.50	3.75	7.00	8.25	0.81	0.50	6.63	3/4
PSS400-5-4.75H-AA	PSS400-5-4.75H-CH-AA	4	1	4.75	3.75	5.00	6.25	0.69	0.44	6.63	5/8
PSS400-5-5.0H-AA	PSS400-5-5.0H-CH-AA	4	1	5.00	3.75	5.00	6.25	0.69	0.44	6.63	5/8
PSS450-3-AA	PSS450-3-CH-AA	4 1/2	1	4.75	3.75	3.00	4.25	0.56	0.44	7.13	5/8
PSS450-5-AA	PSS450-5-CH-AA	4 1/2	1	4.75	3.75	5.00	6.25	0.69	0.44	7.13	5/8
PSS500-3-AA	PSS500-3-CH-AA	5	1	5.00	3.75	3.00	4.25	0.56	0.38	7.69	5/8
PSS500-5-AA	PSS500-5-CH-AA	5	1	5.00	3.75	5.00	6.25	0.69	0.50	7.69	5/8
PSS500-7-AA	PSS500-7-CH-AA	5	1	5.00	3.75	7.00	8.50	0.81	0.50	7.69	5/8
PSS600-5-AA	PSS600-5-CH-AA	6	1	6.00	4.00	5.00	6.25	0.69	0.50	8.75	5/8

AFL's Dossert® product line offers a wide range of substation accessories in low voltage up to 765 kV applications in bronze or aluminum materials.