

DOSSERT® TYPE RPCV-AA Aluminum Pipe to Cable Coupler

A pipe to cable coupler which takes a wide range of cable sizes on the cable clamping member. All clamping members act independently.

Material

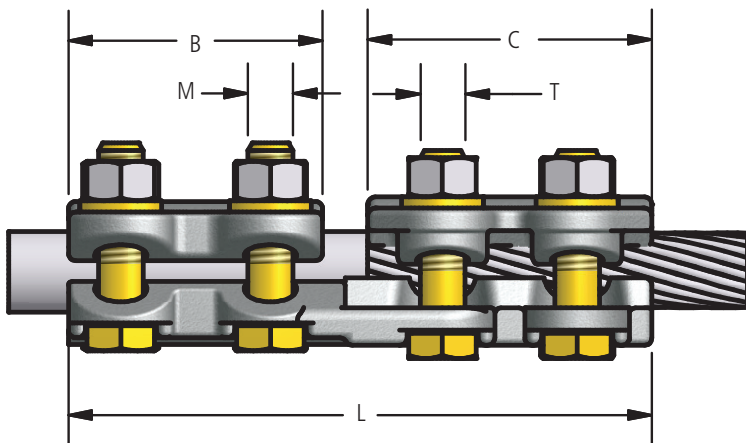
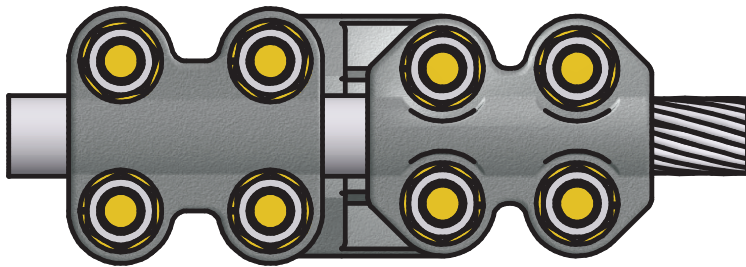
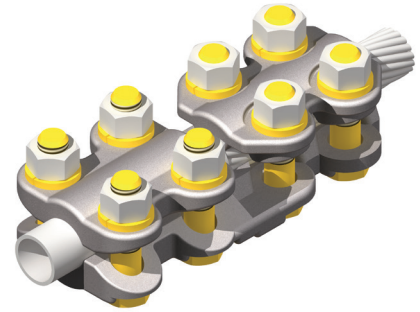
Aluminum Alloy

Hardware

Aluminum nuts, bolts and lockwashers.

Notes

- For Electro Tin plate, add "-SN" to catalog number. EX: RPCV75-90-AA-SN
- For Grade Five Galvanized Steel Hardware add "-GS5" to catalog number.
EX: RPCV75-90-AA-GS5
- For Stainless Steel bolts, lockwashers and Everdur nuts, add "-SSHBN" to catalog number.
EX: RPCV75-90-AA-SSHBN



DOSSERT®

TYPE RPCV-AA

Aluminum Pipe to Cable Coupler

Ordering Information

CATALOG NUMBER	SPS	CABLE RANGE AAC		CABLE RANGE ACSR		DIMENSIONS IN INCHES			BOLT SIZE	
		MIN	MAX	MIN	MAX	B	C	L	M	T
RPCV75-25-AA	3/4	1/0STR	250MCM	1/0STR	4/0STR	2 3/4	3	6 3/8	1/2	1/2
RPCV75-40-AA	3/4	250MCM	400MCM	4/0STR	397.5 MCM	2 3/4	3	6 3/8	1/2	1/2
RPCV75-60-AA	3/4	350MCM	600MCM	336.4 MCM	477MCM	2 3/4	3	6 3/8	1/2	1/2
RPCV75-90-AA	3/4	500MCM	900MCM	477MCM	795MCM	2 3/4	3	6 3/8	1/2	1/2
RPCV100-25-AA	1	1/0STR	250MCM	1/0STR	4/0STR	2 3/4	3	6 3/8	1/2	1/2
RPCV100-40-AA	1	250MCM	400MCM	4/0STR	397.5 MCM	2 3/4	3	6 3/8	1/2	1/2
RPCV100-60-AA	1	350MCM	600MCM	366.4 MCM	477MCM	2 3/4	3	6 3/8	1/2	1/2
RPCV100-90-AA	1	500MCM	900MCM	477MCM	795MCM	2 3/4	3	6 3/8	1/2	1/2
RPCV118R-25-AA	30mm	1/0STR	250MCM	1/0STR	4/0STR	2 3/4	3	6 3/8	1/2	1/2
RPCV118R-40-AA	30mm	250MCM	400MCM	4/0STR	397.5 MCM	2 3/4	3	6 3/8	1/2	1/2
RPCV118R-90-AA	30mm	500MCM	900MCM	477MCM	795MCM	2 3/4	3	6 5/8	1/2	1/2
RPCV118R-125-AA	30mm	900MCM	1250MCM	715MCM	1113MCM	2 3/4	3 1/4	6 5/8	1/2	1/2
RPCV125-25-AA	1 1/4	1/0STR	250MCM	1/0STR	4/0STR	3	3	6 5/8	1/2	1/2
RPCV125-40-AA	1 1/4	250MCM	400MCM	4/0STR	397.5 MCM	3	3	6 5/8	1/2	1/2
RPCV125-60-AA	1 1/4	350MCM	600MCM	336.4 MCM	477MCM	3	3	6 5/8	1/2	1/2
RPCV125-90-AA	1 1/4	500MCM	900MCM	477MCM	795MCM	3	3	6 5/8	1/2	1/2
RPCV125-125-AA	1 1/4	900MCM	1250MCM	715MCM	1113MCM	3	3 1/4	6 5/8	1/2	1/2
RPCV150-25-AA	1 1/2	1/0STR	250MCM	1/0STR	4/0STR	3	3	6 5/8	1/2	1/2
RPCV150-40-AA	1 1/2	250MCM	400MCM	4/0STR	397.5 MCM	3	3	6 5/8	1/2	1/2
RPCV150-60-AA	1 1/2	350MCM	600MCM	336.4 MCM	477MCM	3	3	6 5/8	1/2	1/2
RPCV150-90-AA	1 1/2	500MCM	900MCM	477MCM	795MCM	3	3	6 5/8	1/2	1/2
RPCV150-125-AA	1 1/2	900MCM	1250MCM	715MCM	1113MCM	3	3 1/4	6 7/8	1/2	1/2
RPCV150-160-AA	1 1/2	1250MCM	1600MCM	1113MCM	1431MCM	3	4 3/8	7 3/4	1/2	5/8
RPCV200-25-AA	2	1/0STR	250MCM	1/0STR	4/0STR	3 1/4	3	6 7/8	1/2	1/2
RPCV200-40-AA	2	250MCM	400MCM	4/0STR	397.5 MCM	3 1/4	3	6 7/8	1/2	1/2
RPCV200-60-AA	2	350MCM	600MCM	366.4 MCM	477MCM	3 1/4	3	6 7/8	1/2	1/2
RPCV200-90-AA	2	500MCM	900MCM	477MCM	795MCM	3 1/4	3	6 7/8	1/2	1/2
RPCV200-125-AA	2	900MCM	1250MCM	715MCM	1113MCM	3 1/4	3 1/4	7 1/8	1/2	1/2
RPCV200-160-AA	2	1250MCM	1600MCM	1113MCM	1431MCM	3 1/4	4 3/4	8 1/4	1/2	5/8
RPCV200-200-AA	2	1500MCM	2000MCM	1272MCM	1780MCM	3 1/4	4 1/2	8 3/8	1/2	5/8
RPCV250-25-AA	2 1/2	1/0STR	250MCM	1/0STR	4/0STR	3 1/4	3	6 7/8	1/2	1/2
RPCV250-40-AA	2 1/2	250MCM	400MCM	4/0STR	397.5 MCM	3 1/4	3	6 7/8	1/2	1/2
RPCV250-60-AA	2 1/2	350MCM	600MCM	366.4 MCM	477MCM	3 1/4	3	6 7/8	1/2	1/2
RPCV250-90-AA	2 1/2	500MCM	900MCM	477MCM	795MCM	3 1/4	3	6 7/8	1/2	1/2
RPCV250-125-AA	2 1/2	900MCM	1250MCM	715MCM	1113MCM	3 1/4	3 1/4	7 1/8	1/2	1/2
RPCV250-160-AA	2 1/2	1250MCM	1600MCM	1113MCM	1431MCM	3 1/2	4 3/8	8 1/2	5/8	5/8
RPCV300-25-AA	3	1/0STR	250MCM	1/0STR	4/0STR	3 1/4	3	6 7/8	1/2	1/2
RPCV300-40-AA	3	250MCM	400MCM	4/0STR	397.5 MCM	3 1/4	3	6 7/8	1/2	1/2
RPCV300-60-AA	3	350MCM	600MCM	336.4 MCM	477MCM	3 1/4	3	6 7/8	1/2	1/2
RPCV300-90-AA	3	500MCM	900MCM	477MCM	795MCM	3 1/4	3	6 7/8	1/2	1/2
RPCV300-125-AA	3	900MCM	1250MCM	715MCM	1113MCM	3 1/4	3 1/4	7 1/8	1/2	1/2
RPCV300-160-AA	3	1250MCM	1600MCM	1113MCM	1431MCM	3 3/4	4 3/8	8 3/4	5/8	5/8
RPCV300-200-AA	3	1500MCM	2000MCM	1272MCM	1780MCM	3 3/4	4 1/2	8 7/8	5/8	5/8
RPCV300-250-AA	3	2000MCM	2500MCM	1780 MCM	2300 MCM	3 3/4	4 1/2	8 7/8	5/8	5/8
RPCV300-350-AA	3	3000 MCM	3500 MCM	—	—	3 3/4	4 1/2	8 7/8	5/8	5/8
RPCV350-40-AA	3 1/2	250MCM	400MCM	4/0STR	397.5 MCM	3 1/4	3	6 7/8	1/2	1/2
RPCV350-60-AA	3 1/2	350MCM	600MCM	336.4 MCM	477MCM	3 1/4	3	6 7/8	1/2	1/2
RPCV350-90-AA	3 1/2	500MCM	900MCM	477MCM	795MCM	3 1/4	3	6 7/8	1/2	1/2
RPCV350-125-AA	3 1/2	900MCM	1250MCM	715MCM	1113MCM	3 1/4	3 1/4	7 1/8	1/2	1/2
RPCV350-160-AA	3 1/2	1250MCM	1600MCM	1113MCM	1431MCM	3 3/4	4 3/8	8 3/4	5/8	5/8
RPCV350-200-AA	3 1/2	1500MCM	2000MCM	1272MCM	1780MCM	3 3/4	4 1/2	8 7/8	5/8	5/8
RPCV400-40-AA	4	250MCM	400MCM	4/0STR	397.5 MCM	3 3/4	3	6 7/8	1/2	1/2
RPCV400-60-AA	4	350MCM	600MCM	336.4 MCM	477MCM	3 3/4	3	6 7/8	1/2	1/2
RPCV400-90-AA	4	500MCM	900MCM	477MCM	795MCM	3 3/4	3	6 7/8	1/2	1/2
RPCV400-125-AA	4	900MCM	1250MCM	715MCM	1113MCM	3 3/4	3 1/4	7 3/4	1/2	1/2
RPCV400-160-AA	4	1250MCM	1600MCM	1113MCM	1431MCM	3 3/4	4 3/8	8 3/4	5/8	5/8
RPCV400-200-AA	4	1500MCM	2000MCM	1272MCM	1780MCM	3 3/4	4 1/2	8 7/8	5/8	5/8
RPCV400-250-AA	4	2000 MCM	2500 MCM	1780 MCM	2300 MCM	3 3/4	4 1/2	9	5/8	5/8
RPCV500-60-AA	5	350MCM	600MCM	336.4 MCM	477MCM	3 1/4	3	6 7/8	1/2	1/2
RPCV500-90-AA	5	500MCM	900MCM	477MCM	795MCM	3 1/4	3	6 7/8	1/2	1/2
RPCV500-125-AA	5	900MCM	1250MCM	715MCM	1113MCM	3 1/4	3 1/4	7 1/8	1/2	1/2
RPCV500-160-AA	5	1250MCM	1600MCM	1113MCM	1431MCM	7	4 3/8	11 3/4	5/8	5/8
RPCV500-200-AA	5	1500MCM	2000MCM	1272MCM	1780MCM	3 3/4	4 1/2	8 7/8	5/8	5/8

230 kV Aluminum Bolted Couplers

DOSSERT® TYPE UPK-AA Reducing U-Bolt Pipe to Cable Coupler

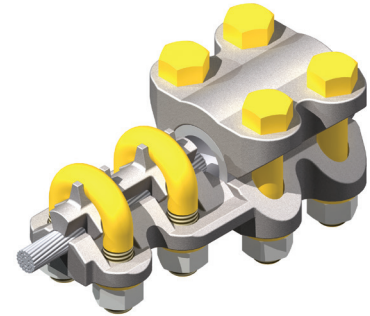
A U-bolt cable to pipe coupler. The variable U-bolt feature makes it possible for the connector for a given pipe size to accommodate several different cable sizes.

Material

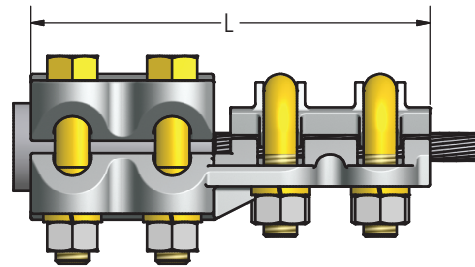
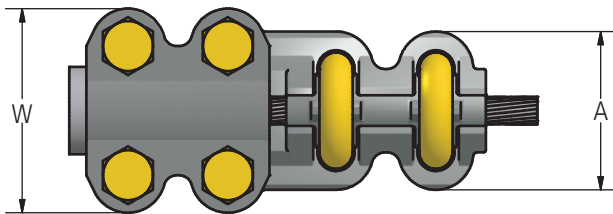
Aluminum Alloy

Hardware

Yellow anodized aluminum nuts, bolts, U-bolts and lockwashers.



230 kV Aluminum Bolted Couplers



Ordering Information

CATALOG NUMBER	SPS	CABLE RANGE		DIMENSIONS IN INCHES			BOLT SIZE	U-BOLT SIZE
		MIN	MAX	A	L	W		
UPK50-13-AA	1/2	6STR	2/0STR	2 1/8	6	2 19/32	1/2	1/2
UPK50-21-AA	1/2	1STR	4/0STR	2 7/32	6	2 19/32	1/2	1/2
UPK50-30-AA	1/2	1/0STR	300MCM	2 5/16	6 1/4	2 19/32	1/2	1/2
UPK75-13-AA	3/4	6STR	2/0STR	2 1/8	6 1/4	2 19/32	1/2	1/2
UPK75-21-AA	3/4	1STR	4/0STR	2 7/32	6 1/4	2 13/16	1/2	1/2
UPK75-30-AA	3/4	1/0STR	300MCM	2 5/16	6 1/2	2 13/16	1/2	1/2
UPK75-50-AA	3/4	300MCM	500MCM	2 1/2	6 1/2	2 13/16	1/2	1/2
UPK100-13-AA	1	6STR	2/0STR	2 1/8	6 1/4	2 13/16	1/2	1/2
UPK100-21-AA	1	1STR	4/0STR	2 7/32	6 1/4	3 1/16	1/2	1/2
UPK100-30-AA	1	1/0STR	300MCM	2 5/16	6 1/2	3 1/16	1/2	1/2
UPK100-50-AA	1	300MCM	500MCM	2 1/2	6 1/2	3 1/16	1/2	1/2
UPK100-90-AA	1	500MCM	900MCM	2 25/32	6 1/2	3 1/16	1/2	1/2
UPK125-13-AA	1 1/4	6STR	2/0STR	2 1/8	6 5/8	3 1/16	1/2	1/2
UPK125-21-AA	1 1/4	1STR	4/0STR	2 7/32	6 5/8	3 13/32	1/2	1/2
UPK125-30-AA	1 1/4	1/0STR	300MCM	2 5/16	6 7/8	3 13/32	1/2	1/2
UPK125-50-AA	1 1/4	300MCM	500MCM	2 1/2	6 7/8	3 13/32	1/2	1/2
UPK125-90-AA	1 1/4	500MCM	900MCM	2 25/32	6 7/8	3 13/32	1/2	1/2
UPK125-100-AA	1 1/4	750MCM	1000MCM	2 27/32	7 1/8	3 13/32	1/2	1/2
UPK150-13-AA	1 1/2	6STR	2/0STR	2 1/8	6 3/8	3 21/32	1/2	1/2
UPK150-21-AA	1 1/2	1STR	4/0STR	2 7/32	6 5/8	3 21/32	1/2	1/2
UPK150-30-AA	1 1/2	1/0STR	300MCM	2 5/16	6 7/8	3 21/32	1/2	1/2
UPK150-50-AA	1 1/2	300MCM	500MCM	2 1/2	6 7/8	3 21/32	1/2	1/2
UPK150-90-AA	1 1/2	500MCM	900MCM	2 13/16	7	3 21/32	1/2	1/2
UPK150-100-AA	1 1/2	750MCM	1000MCM	2 27/32	7 1/8	3 21/32	1/2	1/2
UPK150-150-AA	1 1/2	1000MCM	1500MCM	3 1/2	7 5/8	3 21/32	1/2	5/8
UPK150-200-AA	1 1/2	1500MCM	2000MCM	3 11/16	7 7/8	3 21/32	1/2	5/8
UPK200-21-AA	2	1STR	4/0STR	2 7/32	6 7/8	4 1/8	1/2	1/2
UPK200-30-AA	2	1/0STR	300MCM	2 5/16	7 1/8	4 1/8	1/2	1/2
UPK200-50-AA	2	300MCM	500MCM	2 1/2	7 1/8	4 1/8	1/2	1/2
UPK200-90-AA	2	500MCM	900MCM	2 25/32	7 1/8	4 1/8	1/2	1/2
UPK200-100-AA	2	750MCM	1000MCM	2 27/32	7 3/8	4 1/8	1/2	1/2
UPK200-150-AA	2	1000MCM	1500MCM	3 1/2	7 5/8	4 1/8	1/2	5/8
UPK200-200-AA	2	1500MCM	2000MCM	3 11/16	7 7/8	4 1/8	1/2	5/8
UPK300-90-AA	3	500MCM	900MCM	2 35/32	7 1/4	5 1/4	1/2	1/2
UPK300-150-AA	3	1000MCM	1500MCM	3 1/2	9 1/4	5 5/8	5/8	5/8
UPK300-200-AA	3	1500MCM	2000MCM	3 1/2	8 7/8	5 1/2	5/8	5/8