

Type 2700, 2600 Series

Substation straight terminals are designed for limited space applications as found in substations. Terminals are shorter than conventional terminals which saves space and allows for faster installation. Terminals are installed with standard AFL hex dies. Terminals can be supplied pre filled if required.

Notes

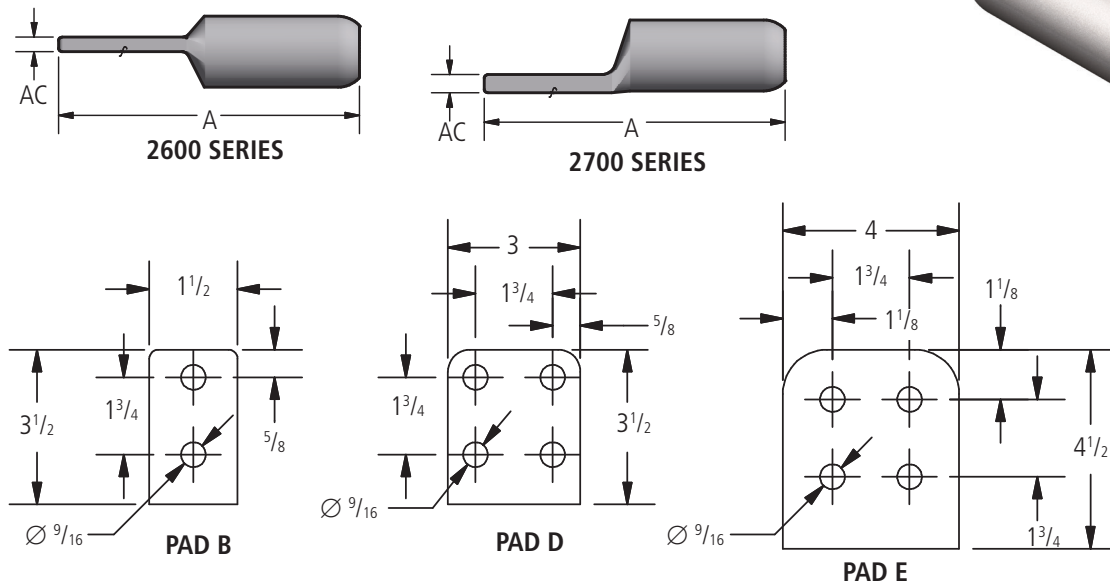
Other pad sizes can be custom ordered.



2600



2700



Ordering Information

Catalog Number		Conductor Range			Pad Size	Dimensions in Inches		Die size	Nominal Weight lbs
Offset Pad	Center Formed Pad	Diameter	AAC	ACSR		A	AC		
2776.0	2676.0	.447-.593	4/0-266.8	2/0 (6/1)-4/0(6/1)	B	7.08	0.50	76AH	0.58
2776.1	2676.1	.609-.743	300-397.5	266.8(18/1)-397.5(18/1)	B	7.08	0.50	76AH	0.58
2720.1	2620.1	.629-.724	336.4 - 397.5	266.8(6/7) - 336.4(30/7)	B	6.87	0.50	20AH	0.52
2720.2	2620.2	.721-.814	397.5-500	336.4(30/7)-477(18/1)	B	6.87	0.50	20AH	0.52
2724.1	2624.1	.793-.926	477-636	397.5(30/7) - 556.5(24/7)	B	7.21	0.50	24AH	0.69
2724.1D	-	.793-.926	477-636	397.5(30/7) - 556.5(24/7)	D	7.21	0.62	24AH	0.69
2727.1	2627.1	.929-1.025	700 - 750	556.5(30/7)-666.6(24/7)	D	7.49	0.62	27AH	1.2
2727.1B	-	.929-1.025	700 - 750	556.5(30/7)-666.6(24/7)	B	7.49	0.50	27AH	1.2
2730.1	2630.1	1.026 - 1.196	795 - 1033.5	715.5(24/7) - 954(54/7)	D	8.84	0.62	30AH	1.6
2730.1B	-	1.026 - 1.196	795 - 1033.5	715.5(24/7) - 954(54/7)	B	8.84	0.50	30AH	1.6
2734.1	2634.1	1.186 - 1.313	954-1272	954(54.7)-1192.5(45/7)	D	9.19	0.62	34AH	1.9
2734.1E	-	1.186 - 1.313	954-1272	954(54.7)-1192.5(45/7)	E	9.81	0.75	34AH	1.9
2736.1	2636.1	1.314 - 1.399	1300-1431	1192.5(54/19) - 1351.5(45/7)	D	9.45	0.62	36AH	2.1
2738.1	2638.1	1.399 - 1.500	1351.5-1590	1351.5(45/7) - 1510.5(45/7)	D	9.69	0.62	38AH	2.3
2738.1E	-	1.399 - 1.500	1351.5-1590	1351.5(45/7) - 1510.5(45/7)	E	9.69	0.62	38AH	2.3
2740.1	2640.1	1.501 - 1.630	1750 - 2000	1510.5(54/19) - 1780(84/19)	D	10.14	0.62	40AH	2.6
2742.1	2642.1	1.630 - 1.681	2000	2034(72/7)	E	11.11	0.75	42AH	3.5
2744.1	2644.1	1.630 - 1.681	2000	2034(72/7)	E	11.61	0.75	44AH	4.0
2744.2	2644.2	1.669 - 1.823	2250 - 2500	2034(72/7) - 2312(76/19)	E	11.61	0.75	44AH	4.0
2748.1	2648.1	1.823 - 1.996	2500 - 2750	2515(76/19)	E	12.64	0.75	48AH	4.6
2748.2	2648.2	1.996 - 2.158	3000-3500	-	E	12.64	0.75	48AH	4.0