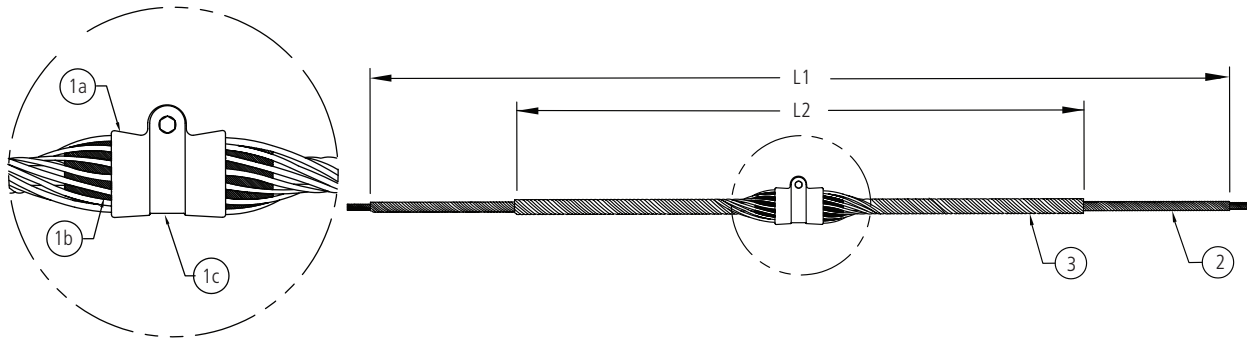


Formed Wire Suspension for ADSS Cable



Features

- For line or elevation angle changes less than 30°
- Max vertical load—20,000 lbs.

Item	Description	Material
1a,c	Suspension Housing	Aluminum Alloy
1b	Insert (2 Halves)	Elastomer
2	Reinforcing Rods (SRR)	Aluminum Alloy
3	Outer Support Rods	Aluminum Alloy

Ordering Information

CABLE O.D. RANGE	STRUCTURAL REINFORCEMENT RODS				OUTER RODS				AFL NO.
	LENGTH "L1" (INCHES)	ROD DIA. (INCHES)	RODS PER SET	COLOR CODE	LENGTH "L2" (INCHES)	ROD DIA. (INCHES)	RODS PER SET	COLOR CODE	
0.399" - 0.418"	80	.146	10	Yellow	42	.204	11	Yellow	ASU399/418
0.419" - 0.439"	80	.146	10	Black	42	.204	11	Black	ASU419/439
0.440" - 0.458"	81	.146	11	White	43	.204	11	White	ASU440/458
0.459" - 0.461"	84	.167	10	Purple	46	.250	10	Orange	ASU459/461
0.462" - 0.476"	84	.167	10	Purple	46	.250	10	Purple	ASU462/476
0.477" - 0.503"	84	.146	12	Orange	46	.250	10	Orange	ASU477/503
0.504" - 0.511"	84	.146	12	Red	46	.250	10	Purple	ASU504/511
0.512" - 0.536"	87	.167	11	Blue	49	.250	11	Blue	ASU512/536
0.537" - 0.559"	87	.167	11	Green	49	.250	11	Green	ASU537/559
0.560" - 0.565"	87	.167	11	Green	49	.250	11	Green	ASU560/565
0.566" - 0.573"	92	.182	11	Black	54	.250	12	Black	ASU566/573
0.574" - 0.598"	92	.182	11	Black	54	.250	12	White	ASU574/598
0.599" - 0.625"	92	.182	12	Brown	54	.310	12	Brown	ASU599/625
0.626" - 0.632"	102	.204	11	Red	63	.310	11	Red	ASU626/632
0.633" - 0.666"	102	.204	11	Red	63	.310	11	Blue	ASU633/666
0.667" - 0.682"	102	.204	12	Yellow	63	.310	11	Green	ASU667/682
0.683" - 0.710"	102	.204	12	Yellow	63	.310	11	Yellow	ASU683/710
0.711" - 0.728"	102	.204	12	White	63	.310	12	Black	ASU711/728
0.729" - 0.744"	102	.204	12	White	63	.310	12	White	ASU729/744
0.745" - 0.750"	102	.204	12	White	63	.310	12	White	ASU745/750
0.751" - 0.786"	102	.204	13	White	63	.310	12	Brown	ASU751/786
0.787" - 0.814"	111	.250	11	Green	72	.365	11	Green	ASU787/814
0.815" - 0.845"	111	.250	12	Yellow	72	.365	11	Yellow	ASU815/845
0.846" - 0.855"	111	.250	12	Green	72	.365	12	Blue	ASU846/855
0.856" - 0.894"	119	.250	12	Black	80	.365	12	Black	ASU856/894
0.895" - 0.907"	119	.250	12	White	80	.365	12	White	ASU895/907
0.908" - 0.916"	119	.250	13	Purple	80	.365	12	Purple	ASU908/916
0.917" - 0.929"	119	.250	13	Brown	80	.365	12	Brown	ASU917/929
0.930" - 0.942"	119	.250	13	Red	80	.365	12	Red	ASU930/942
0.943" - 0.977"	119	.250	13	Orange	80	.365	13	Orange	ASU943/977