

## DOSSERT® TYPE PA, PAP

### Bus Support For Circle Mount Insulators

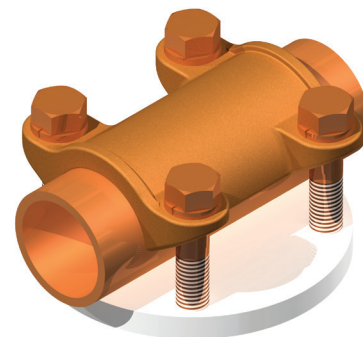
A single cap four bolt bus support for mounting on insulator bolt circle positions. Type PA clamps bus directly to insulator while type PAP is provided with an under saddle conforming to bus diameter for higher clamping pressure. Both types can be furnished with cap screws for cap mounting or bolts and nuts for base mounting. Unless otherwise specified supports are furnished for cap and mounting as illustrated.

#### Material

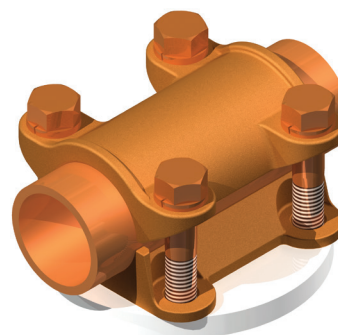
Copper Alloy

#### Hardware

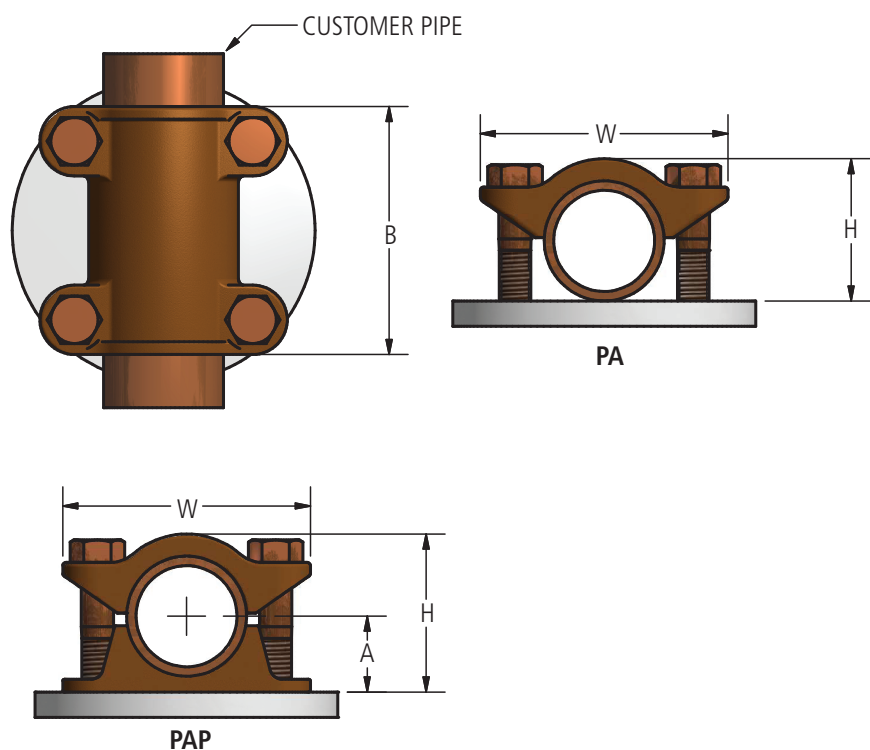
Everdur bolts, lockwashers



PA



PAP



### Ordering Information

| CATALOG NUMBER |          | SPS   | BOLT CIRCLE | DIMENSIONS IN INCHES |         |         |         | BOLT SIZE |     |
|----------------|----------|-------|-------------|----------------------|---------|---------|---------|-----------|-----|
| PA             | PAP      |       |             | A                    | B       | H       |         |           | W   |
|                |          |       |             |                      |         | PA      | PAP     |           |     |
| PA50-3         | PAP50-3  | 1/2   | 3           | 3/4                  | 3 1/4   | 1 3/8   | 1 11/16 | 3 1/4     | 1/2 |
| PA50-5         | PAP50-5  | 1/2   | 5           | 3/4                  | 4 15/16 | 1 1/2   | 1 13/16 | 4 15/16   | 5/8 |
| PA75-3         | PAP75-3  | 3/4   | 3           | 7/8                  | 3 1/4   | 1 9/16  | 1 15/16 | 3 1/4     | 1/2 |
| PA75-5         | PAP75-5  | 3/4   | 5           | 7/8                  | 4 15/16 | 1 11/16 | 2 1/16  | 4 15/16   | 5/8 |
| PA100-3        | PAP100-3 | 1     | 3           | 1                    | 3 1/4   | 1 3/4   | 2 1/8   | 3 1/4     | 1/2 |
| PA100-5        | PAP100-5 | 1     | 5           | 1                    | 4 15/16 | 2       | 2 5/16  | 4 15/16   | 5/8 |
| PA125-3        | PAP125-3 | 1 1/4 | 3           | 1 1/8                | 3 1/4   | 2 1/8   | 2 7/15  | 3 1/4     | 1/2 |
| PA125-5        | PAP125-5 | 1 1/4 | 5           | 1 1/8                | 4 15/16 | 2 3/8   | 2 11/16 | 4 15/16   | 5/8 |
| PA150-5        | PAP150-5 | 1 1/2 | 5           | 1 1/4                | 4 15/16 | 2 7/16  | 2 3/4   | 4 15/16   | 5/8 |
| PA200-5        | PAP200-5 | 2     | 5           | 1 1/2                | 4 15/16 | 2 3/4   | 3 1/16  | 4 15/16   | 5/8 |
| PA250-5        | PAP250-5 | 2 1/2 | 5           | 1 3/4                | 4 15/16 | 3 5/16  | 3 5/8   | 4 15/16   | 5/8 |

## DOSSERT® TYPE PB, PBP Bus Support With Two Unit Cap

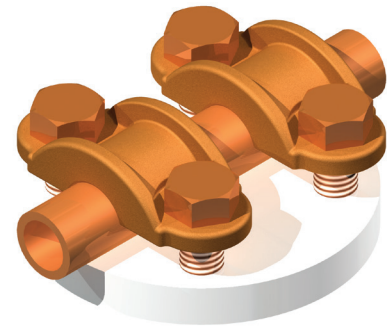
A two unit cap clamping bus support for mounting on insulator bolt circle positions. Type PB clamps bus directly to insulator while type PBP is provided with two independent matching bus saddles. Available for either cap or base mounting. Unless otherwise specified supports are furnished for cap mounting as illustrated.

### Material

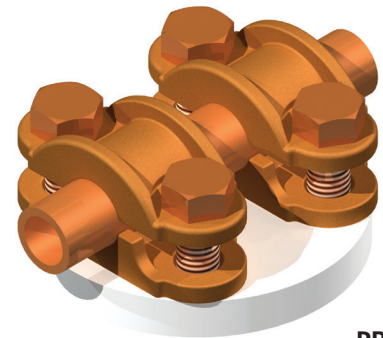
Copper Alloy

### Hardware

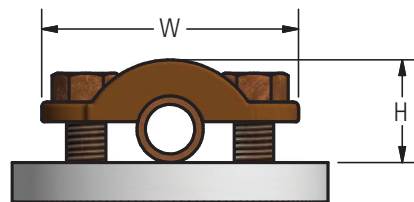
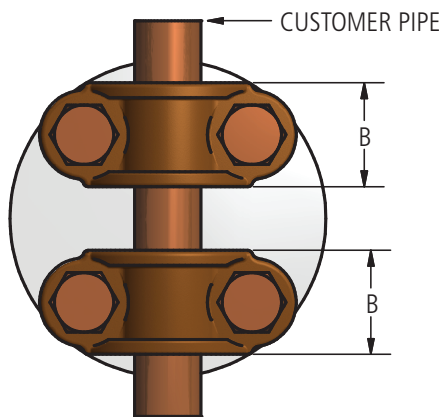
Everdur bolts, lockwashers



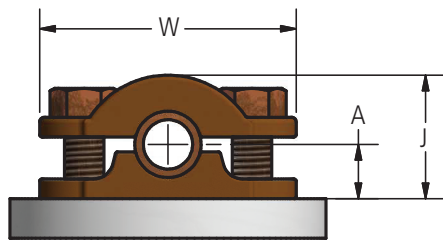
PB



PBP



PB



PBP

## Ordering Information

| CATALOG NUMBER |          | SPS   | BOLT CIRCLE | DIMENSIONS IN INCHES |        |         |         |         | BOLT SIZE |
|----------------|----------|-------|-------------|----------------------|--------|---------|---------|---------|-----------|
|                |          |       |             | A                    | B      | H       | J       | W       |           |
| PB50-3         | PBP50-3  | 1/2   | 3           | 3/4                  | 1 5/16 | 1 3/8   | 1 11/16 | 3 1/4   | 1/2       |
| PB50-5         | PBP50-5  | 1/2   | 5           | 3/4                  | 1 3/8  | 1 1/2   | 1 13/16 | 4 15/16 | 5/8       |
| PB75-3         | PBP75-3  | 3/4   | 3           | 7/8                  | 1 5/16 | 1 9/16  | 1 15/16 | 3 1/4   | 1/2       |
| PB75-5         | PBP75-5  | 3/4   | 5           | 7/8                  | 1 3/8  | 1 11/16 | 2 1/16  | 4 15/16 | 5/8       |
| PB100-3        | PBP100-3 | 1     | 3           | 1                    | 1 1/2  | 1 3/4   | 2 1/8   | 3 1/4   | 1/2       |
| PB100-5        | PBP100-5 | 1     | 5           | 1                    | 1 5/8  | 2       | 2 5/16  | 4 15/16 | 5/8       |
| PB125-3        | PBP125-3 | 1 1/4 | 3           | 1 1/8                | 1 1/2  | 2 1/8   | 2 7/16  | 3 1/4   | 1/2       |
| PB125-5        | PBP125-5 | 1 1/4 | 5           | 1 1/8                | 1 5/8  | 2 3/8   | 2 11/16 | 4 15/16 | 5/8       |
| PB150-5        | PBP150-5 | 1 1/2 | 5           | 1 1/4                | 1 3/4  | 2 7/16  | 2 3/4   | 4 15/16 | 5/8       |
| PB200-5        | PBP200-5 | 2     | 5           | 1 1/2                | 1 3/4  | 2 3/4   | 3 1/16  | 4 15/16 | 5/8       |
| PB250-5        | PBP250-5 | 2 1/2 | 5           | 1 3/4                | 1 7/8  | 3 5/16  | 3 5/8   | 4 15/16 | 5/8       |

## DOSSERT®

### TYPE PL

#### Pipe Bus Support Slide or Tight Fit

A two bolted clamp type high strength bronze bus support. This unit is non-magnetic and corrosion resistant. The design of this support permits a minimum radius of gyration about the support mounting thus minimizing cantilever stresses. Type PL is both a tight and slip fit clamp with either action obtained by reversing cap.

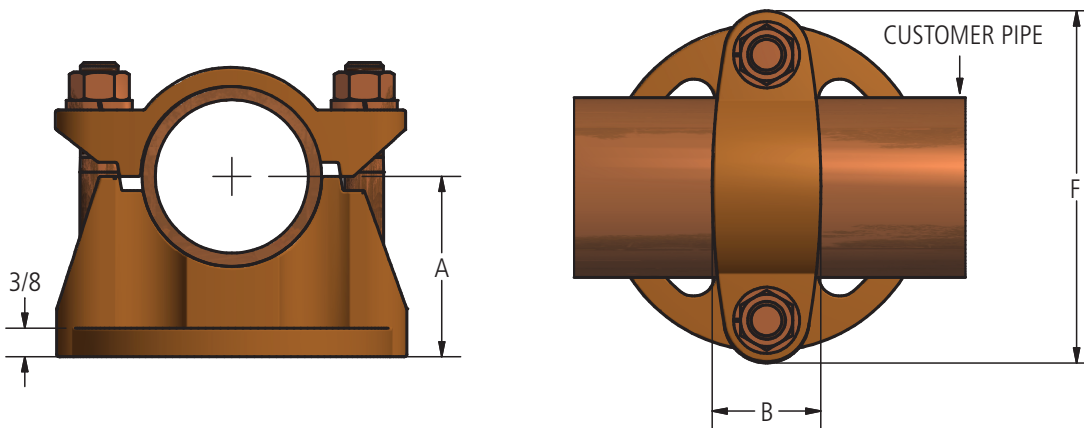
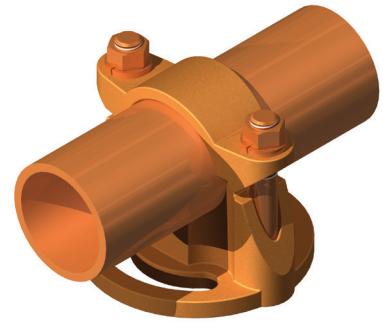
#### Material

Copper Alloy

#### Hardware

Everdur bolts, nuts and lockwashers

Mounting hardware galvanized steel



### Ordering Information

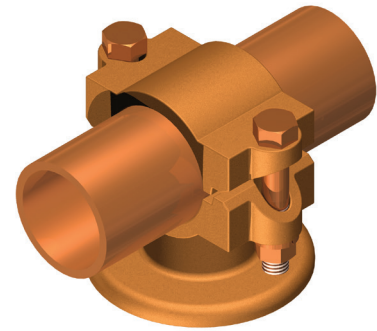
| CATALOG NUMBER | SPS   | BOLT CIRCLE | DIMENSIONS IN INCHES |         |       | BOLT SIZE |
|----------------|-------|-------------|----------------------|---------|-------|-----------|
|                |       |             | A                    | B       | F     |           |
| PL75-3         | 3/4   | 3           | 1 3/8                | 1 1/2   | 4 1/4 | 1/2       |
| PL75-5         | 3/4   | 5           | 1                    | 1 1/2   | 6 1/4 | 1/2       |
| PL100-3        | 1     | 3           | 1 5/8                | 1 1/2   | 4 1/4 | 1/2       |
| PL100-5        | 1     | 5           | 1 1/8                | 1 1/2   | 6 1/4 | 1/2       |
| PL125-3        | 1 1/4 | 3           | 1 3/4                | 1 11/16 | 4 1/4 | 1/2       |
| PL125-5        | 1 1/4 | 5           | 1 3/8                | 1 11/16 | 6 1/4 | 1/2       |
| PL150-3        | 1 1/2 | 3           | 2                    | 1 11/16 | 4 1/4 | 1/2       |
| PL150-5        | 1 1/2 | 5           | 1 1/2                | 1 11/16 | 6 1/4 | 1/2       |
| PL200-3        | 2     | 3           | 2 3/8                | 1 11/16 | 4 1/4 | 1/2       |
| PL200-5        | 2     | 5           | 2 1/4                | 1 11/16 | 6 1/4 | 1/2       |
| PL250-3        | 2 1/2 | 3           | 2 5/8                | 1 3/4   | 4 1/4 | 1/2       |
| PL250-5        | 2 1/2 | 5           | 2 1/2                | 1 3/4   | 6 1/4 | 1/2       |
| PL300-3        | 3     | 3           | 2 7/8                | 1 13/16 | 5 3/4 | 5/8       |
| PL300-5        | 3 1/2 | 5           | 3                    | 1 3/4   | 6 1/4 | 5/8       |

## DOSSERT®

### TYPE PLC

#### Bus Support For Tubular Bus To Insulator

A bus support for mounting a tubular bus to a 3/4-10 NC 2 center tapped insulator. The center tap mounting permits any angular arrangement for bus positioning while a reversible cap allows for slip fit or tight clamping on bus. Other thread sizes for center mounting can be readily supplied.

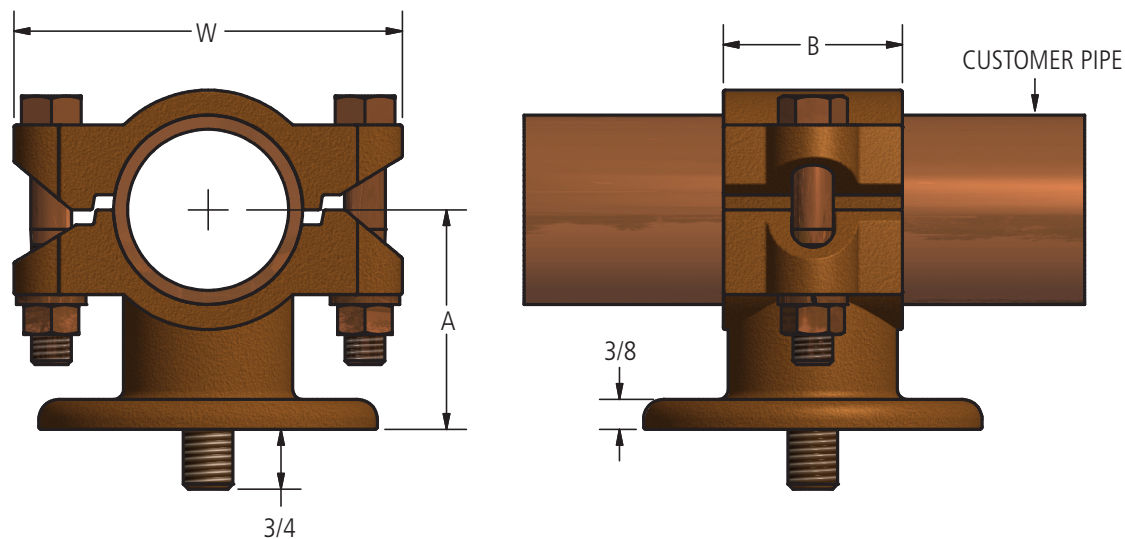


#### Material

Copper Alloy

#### Hardware

Everdur bolts, nuts and lockwashers  
Mounting hardware galvanized steel



### Ordering Information

| CATALOG NUMBER | SPS   | DIMENSIONS IN INCHES |       |         | BOLT SIZE |
|----------------|-------|----------------------|-------|---------|-----------|
|                |       | A                    | B     | W       |           |
| PLC50          | 1/2   | 1 3/4                | 1 3/4 | 2 3/8   | 3/8       |
| PLC75          | 3/4   | 2                    | 1 1/2 | 2 9/16  | 3/8       |
| PLC100         | 1     | 2                    | 1 1/2 | 2 7/8   | 3/8       |
| PLC125         | 1 1/4 | 2 1/4                | 2     | 3 1/2   | 1/2       |
| PLC150         | 1 1/2 | 2 1/2                | 2     | 3 13/16 | 1/2       |
| PLC200         | 2     | 2 3/4                | 2 1/4 | 4 1/4   | 1/2       |
| PLC250         | 2 1/2 | 3 1/8                | 2 1/4 | 4 3/4   | 1/2       |
| PLC300         | 3     | 3 5/8                | 2 1/2 | 5 7/8   | 5/8       |
| PLC350         | 3 1/2 | 4                    | 2 1/2 | 6 3/8   | 5/8       |
| PLC400         | 4     | 4 1/2                | 2 1/2 | 6 7/8   | 5/8       |



## DOSSERT® TYPE PSC

### Bus Support For Two Tubular Busses

A bus support for joining and supporting two tubular busses on a post type insulator. Designed for a high resistance to impact or sustained cantilever and torsional stresses. Nuts and bolts are furnished for a base mounting or slotted cap mounting or cap screws for an insulator cap mounting.

#### Material

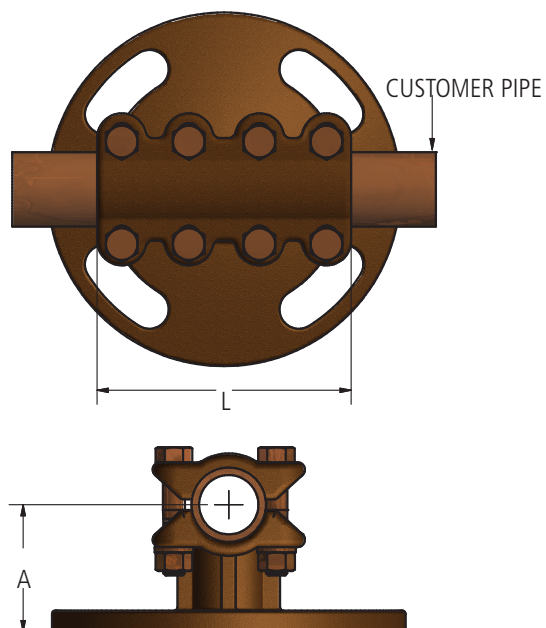
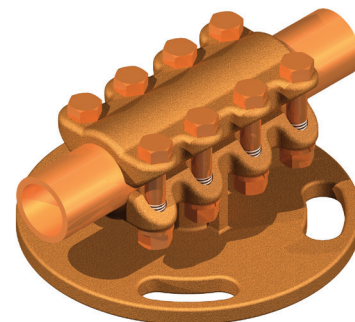
Copper Alloy

#### Note

For tin plating add "-SN" to end of catalog number.

#### Hardware

Everdur bolts, nuts and lockwashers  
Mounting hardware galvanized steel



### Ordering Information

| CATALOG NUMBER | SPS   | BOLT CIRCLE | DIMENSIONS IN INCHES |       |           |
|----------------|-------|-------------|----------------------|-------|-----------|
|                |       |             | A                    | L     | BOLT SIZE |
| PSC75-3        | 3/4   | 3           | 2                    | 3 1/2 | 3/8       |
| PSC75-5        | 3/4   | 5           | 2 1/4                | 3 1/2 | 3/8       |
| PSC100-3       | 1     | 3           | 2                    | 4 1/2 | 3/8       |
| PSC100-5       | 1     | 5           | 2 1/4                | 4 1/2 | 3/8       |
| PSC125-3       | 1 1/4 | 3           | 2 1/4                | 5 1/2 | 1/2       |
| PSC125-5       | 1 1/4 | 5           | 2 3/8                | 5 1/2 | 1/2       |
| PSC150-3       | 1 1/2 | 3           | 2 1/2                | 5 3/4 | 1/2       |
| PSC150-5       | 1 1/2 | 5           | 2 1/2                | 5 3/4 | 1/2       |
| PSC200-3       | 2     | 3           | 2 3/4                | 6     | 1/2       |
| PSC200-5       | 2     | 5           | 2 3/4                | 6     | 1/2       |
| PSC250-3       | 2 1/2 | 3           | 3 1/8                | 6     | 1/2       |
| PSC250-5       | 2 1/2 | 5           | 3 1/8                | 6     | 1/2       |
| PSC300-5       | 3     | 5           | 3 5/8                | 7     | 5/8       |
| PSC350-5       | 3 1/2 | 5           | 4                    | 8     | 5/8       |
| PSC400-5       | 4     | 5           | 4 1/2                | 8 3/4 | 5/8       |

## DOSSERT®

### TYPE PSD, PSD-U Bus Support, Pipe, Slide or Tight Fit

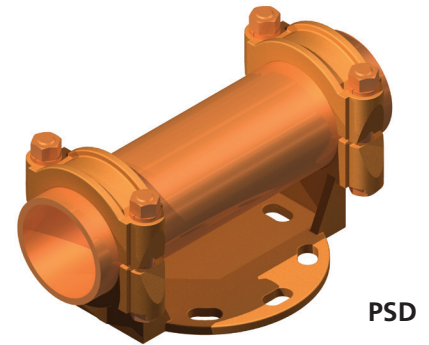
A heavy duty bus support clamp designed with a low bus center point height to reduce cantilever action and withstand high stresses. For PSD series, reversible clamps permit tight or slip fit assembly. For PSD-U series, U-bolt provides tight fit. Entire unit is non-magnetic and corrosion resistant.

#### Material

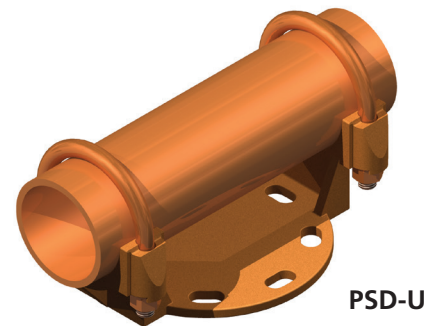
Copper Alloy

#### Hardware

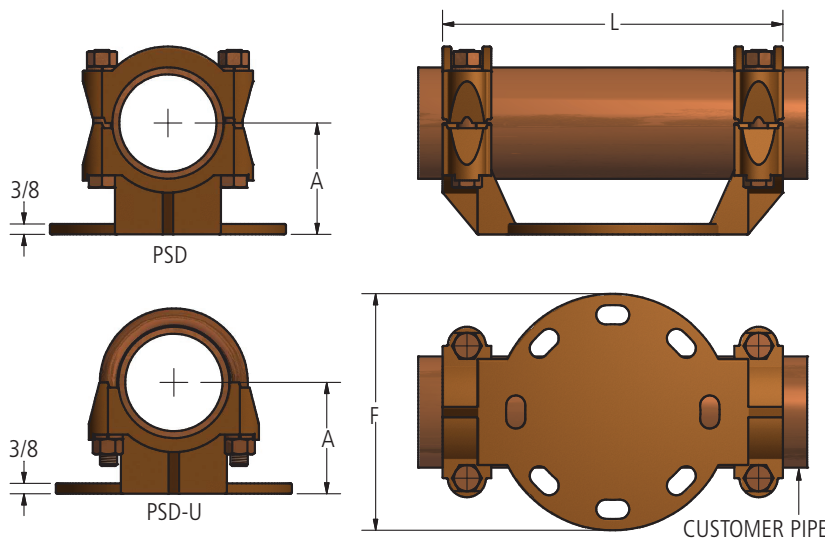
Everdur bolts, nuts and lockwashers  
Mounting hardware galvanized steel



PSD



PSD-U



### Ordering Information

| CATALOG NUMBER | CATALOG NUMBER U-BOLT | SPS   | BOLT CIRCLE | DIMENSIONS IN INCHES |        |       | BOLT SIZE |
|----------------|-----------------------|-------|-------------|----------------------|--------|-------|-----------|
|                |                       |       |             | A                    | F      | L     |           |
| PSD75-3        | PSD75-3-U             | 3/4   | 3           | 2                    | 4 1/4  | 6 3/4 | 1/2       |
| PSD75-5        | PSD75-5-U             | 3/4   | 5           | 2 1/4                | 6 1/4  | 9     | 1/2       |
| PSD100-3       | PSD100-3-U            | 1     | 3           | 2                    | 4 1/4  | 7     | 1/2       |
| PSD100-5       | PSD100-5-U            | 1     | 5           | 2 1/4                | 6 1/4  | 9     | 1/2       |
| PSD125-3       | PSD125-3-U            | 1 1/4 | 3           | 2 1/4                | 4 1/4  | 7 1/4 | 1/2       |
| PSD125-5       | PSD125-5-U            | 1 1/4 | 5           | 2 3/8                | 6 1/4  | 9 1/2 | 1/2       |
| PSD150-3       | PSD150-3-U            | 1 1/2 | 3           | 2 1/2                | 4 1/4  | 7 1/4 | 1/2       |
| PSD150-5       | PSD150-5-U            | 1 1/2 | 5           | 2 1/2                | 6 1/4  | 9 1/2 | 1/2       |
| PSD200-3       | PSD200-3-U            | 2     | 3           | 2 3/4                | 4 1/4  | 7 1/4 | 1/2       |
| PSD200-5       | PSD200-5-U            | 2     | 5           | 2 3/4                | 6 1/4  | 9 1/2 | 1/2       |
| PSD250-3       | PSD250-3-U            | 2 1/2 | 3           | 3 1/8                | 4 1/4  | 7 3/4 | 1/2       |
| PSD250-5       | PSD250-5-U            | 2 1/2 | 5           | 3 1/8                | 6 1/4  | 10    | 1/2       |
| PSD300-3       | PSD300-3-U            | 3     | 3           | 3 5/8                | 7 3/4  | 4 1/4 | 5/8       |
| PSD300-5       | PSD300-5-U            | 3     | 5           | 3 5/8                | 10     | 6 1/4 | 5/8       |
| PSD300-7       | PSD300-7-U            | 3     | 7           | 3 5/8                | 12 1/4 | 8 1/2 | 5/8       |
| PSD350-3       | PSD350-3-U            | 3 1/2 | 3           | 4                    | 7 3/4  | 4 1/4 | 5/8       |
| PSD350-5       | PSD350-5-U            | 3 1/2 | 5           | 4                    | 10     | 6 1/4 | 5/8       |
| PSD400-3       | PSD400-3-U            | 4     | 3           | 4 1/2                | 7 3/4  | 4 1/4 | 5/8       |
| PSD400-5       | PSD400-5-U            | 4     | 5           | 4 1/2                | 10     | 6 1/4 | 5/8       |
| PSD400-7       | PSD400-7-U            | 4     | 7           | 4 1/2                | 12 1/4 | 8 1/2 | 5/8       |
| PSD500-3       | PSD500-3-U            | 5     | 3           | 5                    | 8      | 4 1/4 | 5/8       |
| PSD500-5       | PSD500-5-U            | 5     | 5           | 5                    | 10     | 6 1/4 | 5/8       |
| PSD500-7       | PSD500-7-U            | 5     | 7           | 5                    | 12 3/4 | 8 1/2 | 5/8       |
| PSD600-3       | PSD600-3-U            | 6     | 3           | 5 1/2                | 8 1/4  | 4 1/4 | 5/8       |
| PSD600-5       | PSD600-5-U            | 6     | 5           | 5 1/2                | 10 1/2 | 6 1/4 | 5/8       |
| PSD600-7       | PSD600-7-U            | 6     | 7           | 5 1/2                | 12 3/4 | 8 1/2 | 5/8       |
| PSD800-7       | PSD800-7-U            | 8     | 7           | 6 7/8                | 12 3/4 | 8 1/2 | 5/8       |

## DOSSERT® TYPE PSRE

### Low Mounting Variable Bus Support

An inexpensive low mounting variable bus support clamp. The wide range of conductor sizes accommodated by a reversible cap minimizes the number of clamps to cover a given range of bus sizes. Furnished complete with cap screws for cap mounting or with bolts, nuts, and lockwashers for base mounting.

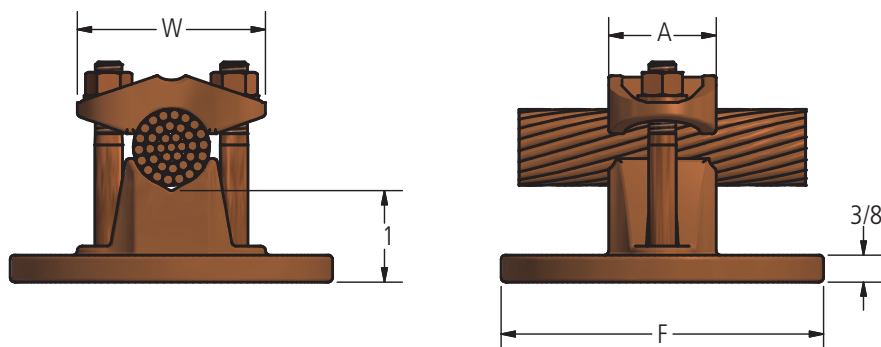
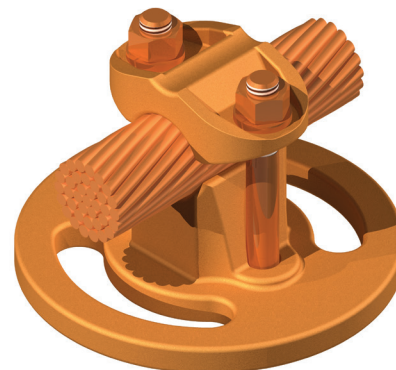
#### Material

Copper Alloy

#### Hardware

Everdur bolts, nuts and lockwashers

Mounting hardware galvanized steel



### Ordering Information

| CATALOG NUMBER | CABLE RANGE |         | DIMENSIONS IN INCHES |       |       |       |           |
|----------------|-------------|---------|----------------------|-------|-------|-------|-----------|
|                | MIN         | MAX     | BOLT CIRCLE          | A     | F     | W     | BOLT SIZE |
| PSRE75-3       | 1/4         | 1 1/16  | 3                    | 1 1/2 | 4 1/4 | 2 1/2 | 3/8       |
| PSRE125-3      | 13/16       | 1 11/16 | 3                    | 1 5/8 | 4 1/4 | 3 1/2 | 1/2       |
| PSRE200-3      | 1 5/8       | 2 3/8   | 3                    | 1 5/8 | 4 1/4 | 4 1/4 | 1/2       |
| PSRE75-5       | 1/4         | 1 1/16  | 5                    | 1 1/2 | 6 1/4 | 2 1/2 | 3/8       |
| PSRE125-5      | 13/16       | 1 11/16 | 5                    | 1 5/8 | 6 1/4 | 3 1/2 | 1/2       |
| PSRE200-5      | 1 5/8       | 2 3/8   | 5                    | 1 5/8 | 6 1/4 | 4 1/4 | 1/2       |

## DOSSERT® TYPE PSS, PSS-CH

### Pipe Bus Support Slide or Tight Fit

A high strength copper support for securing a tubular bus to a post or pedestal type insulator. Reversible cap permits rigid or slip fit on conductor. Designed with a high resistance to impact and sustained cantilever and torsion stresses. Entire unit is non-magnetic and corrosion resistant.

#### Material

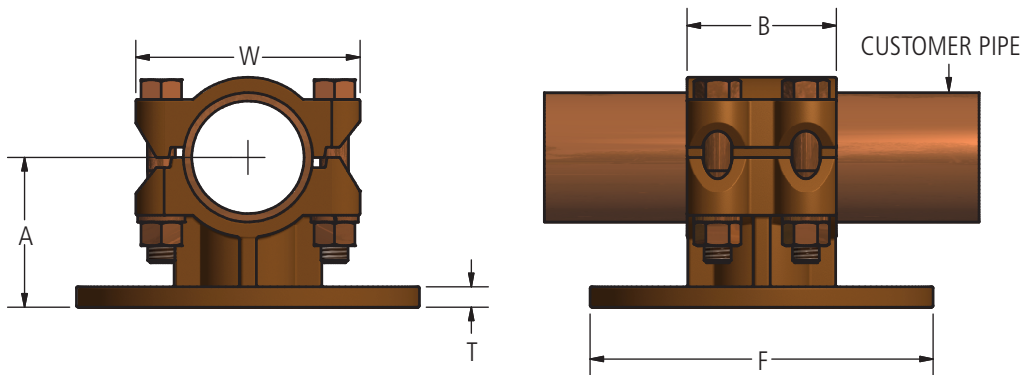
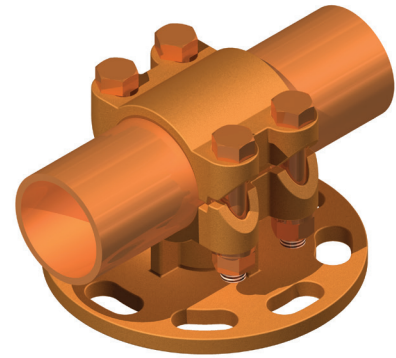
Copper Alloy

#### Note

For a chatter spring add suffix "CH" to catalog number.

#### Hardware

Everdur bolts, nuts and lockwashers  
Mounting hardware galvanized steel



### Ordering Information

| CATALOG NUMBER |                | SPS   | BOLT CIRCLE | DIMENSIONS IN INCHES |       |       |      |         | BOLT SIZE |
|----------------|----------------|-------|-------------|----------------------|-------|-------|------|---------|-----------|
| STANDARD       | CHATTER SPRING |       |             | A                    | B     | F     | T    | W       |           |
| PSS50-3        | PSS50-3-CH     | 1/2   | 3           | 1 3/4                | 2 1/2 | 4 1/4 | 3/8  | 2 5/8   | 1/2       |
| PSS50-5        | PSS50-5-CH     | 1/2   | 5           | 2 1/8                | 2 1/2 | 6 1/4 | 3/8  | 2 5/8   | 1/2       |
| PSS75-3        | PSS75-3-CH     | 3/4   | 3           | 2                    | 2 3/4 | 4 1/4 | 3/8  | 2 13/16 | 1/2       |
| PSS75-5        | PSS75-5-CH     | 3/4   | 5           | 2 1/4                | 2 3/4 | 6 1/4 | 3/8  | 2 13/16 | 1/2       |
| PSS100-3       | PSS100-3-CH    | 1     | 3           | 2                    | 2 3/4 | 4 1/4 | 3/8  | 3 1/16  | 1/2       |
| PSS100-5       | PSS100-5-CH    | 1     | 5           | 2 1/4                | 2 3/4 | 6 1/4 | 3/8  | 3 1/16  | 1/2       |
| PSS125-3       | PSS125-3-CH    | 1 1/4 | 3           | 2 1/4                | 3     | 4 1/4 | 3/8  | 3 13/32 | 1/2       |
| PSS125-5       | PSS125-5-CH    | 1 1/4 | 5           | 2 3/8                | 3     | 6 1/4 | 3/8  | 3 13/32 | 1/2       |
| PSS150-3       | PSS150-3-CH    | 1 1/2 | 3           | 2 1/2                | 3     | 4 1/4 | 3/8  | 3 21/32 | 1/2       |
| PSS150-5       | PSS150-5-CH    | 1 1/2 | 5           | 2 1/2                | 3     | 6 1/4 | 3/8  | 3 21/32 | 1/2       |
| PSS200-3       | PSS200-3-CH    | 2     | 3           | 2 3/4                | 3 1/4 | 4 1/4 | 3/8  | 4 1/8   | 1/2       |
| PSS200-5       | PSS200-5-CH    | 2     | 5           | 2 3/4                | 3 1/4 | 6 1/4 | 3/8  | 4 1/8   | 1/2       |
| PSS250-3       | PSS250-3-CH    | 2 1/2 | 3           | 3 1/8                | 3 1/4 | 4 1/4 | 3/8  | 4 5/8   | 1/2       |
| PSS250-5       | PSS250-5-CH    | 2 1/2 | 5           | 3 1/8                | 3 1/4 | 6 1/4 | 3/8  | 4 5/8   | 1/2       |
| PSS300-3       | PSS300-3-CH    | 3     | 3           | 3 5/8                | 3 3/4 | 4 1/4 | 7/16 | 4 5/8   | 5/8       |
| PSS300-5       | PSS300-5-CH    | 3     | 5           | 3 5/8                | 3 3/4 | 6 1/4 | 7/16 | 4 5/8   | 5/8       |
| PSS350-3       | PSS350-3-CH    | 3 1/2 | 3           | 4                    | 3 3/4 | 4 1/4 | 7/16 | 6 1/8   | 5/8       |
| PSS350-5       | PSS350-5-CH    | 3 1/2 | 5           | 4                    | 3 3/4 | 6 1/4 | 7/16 | 6 1/8   | 5/8       |
| PSS400-3       | PSS400-3-CH    | 4     | 3           | 4 1/2                | 3 3/4 | 4 1/4 | 7/16 | 6 5/8   | 5/8       |
| PSS400-5       | PSS400-5-CH    | 4     | 5           | 4 1/2                | 3 3/4 | 6 1/4 | 7/16 | 6 5/8   | 5/8       |
| PSS450-3       | PSS450-3-CH    | 4 1/2 | 3           | 4 3/4                | 3 3/4 | 4 1/4 | 7/16 | 7 1/8   | 5/8       |
| PSS450-5       | PSS450-5-CH    | 4 1/2 | 5           | 4 3/4                | 3 3/4 | 6 1/4 | 7/16 | 7 1/8   | 5/8       |
| PSS500-3       | PSS500-3-CH    | 5     | 3           | 5                    | 3 3/4 | 4 1/4 | 7/16 | 7 5/8   | 5/8       |
| PSS500-5       | PSS500-5-CH    | 5     | 5           | 5                    | 3.75  | 6 1/4 | 7/16 | 7 5/8   | 5/8       |
| PSS600-5       | PSS600-5-CH    | 6     | 5           | 6                    | 3.75  | 6 1/4 | 7/16 | 7 5/8   | 5/8       |

## DOSSERT® TYPE PSSR, PSSR-CH

### Tubular Bus Support

A high strength bronze support for securing a tubular bus to a post or pedestal type insulator. Fully adjustable to any angle within a complete circle (360°) with the advantage of four bolts maintaining angular setting as well as mounting pressure. Reversible cap permits rigid or slip fit on conductor. Supplied with cap screws for insulator cap mounting or bolts and nuts for base mounting. Unless otherwise specified cap screws are supplied.

#### Material

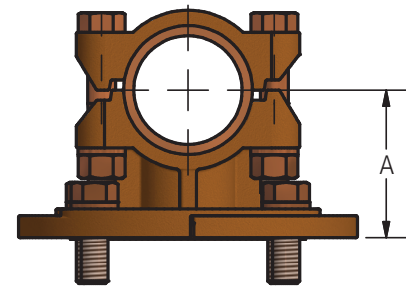
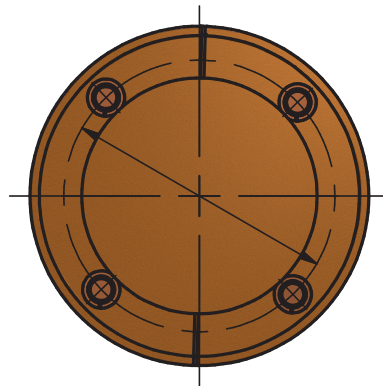
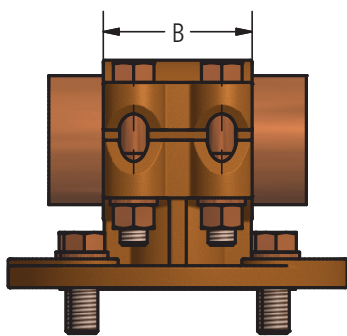
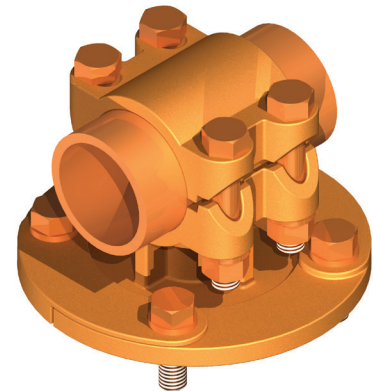
Copper Alloy

#### Hardware

Everdur bolts, nuts and lockwashers  
Mounting hardware galvanized steel

#### Note

Add suffix "CH" to catalog number for chatter spring. EX: PSSR200-5-CH



### Ordering Information

| CATALOG NUMBER |                | SPS   | BOLT CIRCLE | DIMENSIONS IN INCHES |       | BOLT SIZE<br>CAP |
|----------------|----------------|-------|-------------|----------------------|-------|------------------|
| STANDARD       | CHATTER SPRING |       |             | A                    | B     |                  |
| PSSR50-3       | PSSR50-3-CH    | 1/2   | 3           | 1 3/4                | 2 1/8 | 3/8              |
| PSSR50-5       | PSSR50-5-CH    | 1/2   | 5           | 2 1/8                | 2 1/8 | 3/8              |
| PSSR75-3       | PSSR75-3-CH    | 3/4   | 3           | 2                    | 2 1/8 | 3/8              |
| PSSR75-5       | PSSR75-5-CH    | 3/4   | 5           | 2 1/4                | 2 1/8 | 3/8              |
| PSSR100-3      | PSSR100-3-CH   | 1     | 3           | 2                    | 2 1/8 | 3/8              |
| PSSR100-5      | PSSR100-5-CH   | 1     | 5           | 2 1/4                | 2 1/8 | 3/8              |
| PSSR125-3      | PSSR125-3-CH   | 1 1/4 | 3           | 2 1/4                | 2 1/4 | 1/2              |
| PSSR125-5      | PSSR125-5-CH   | 1 1/4 | 5           | 2 3/8                | 2 1/4 | 1/2              |
| PSSR150-3      | PSSR150-3-CH   | 1 1/2 | 3           | 2 1/2                | 2 1/2 | 1/2              |
| PSSR150-5      | PSSR150-5-CH   | 1 1/2 | 5           | 2 1/2                | 2 1/2 | 1/2              |
| PSSR200-3      | PSSR200-3-CH   | 2     | 3           | 2 3/4                | 2 3/4 | 1/2              |
| PSSR200-5      | PSSR200-5-CH   | 2     | 5           | 2 3/4                | 2 3/4 | 1/2              |
| PSSR250-3      | PSSR250-3-CH   | 2 1/2 | 3           | 3 1/8                | 3     | 1/2              |
| PSSR250-5      | PSSR250-5-CH   | 2 1/2 | 5           | 3 1/8                | 3     | 1/2              |
| PSSR300-3      | PSSR300-3-CH   | 3     | 3           | 3 5/8                | 3 1/4 | 5/8              |
| PSSR300-5      | PSSR300-5-CH   | 3     | 5           | 3 5/8                | 3 1/4 | 5/8              |
| PSSR350-3      | PSSR350-3-CH   | 3 1/2 | 3           | 4                    | 3 1/4 | 5/8              |
| PSSR350-5      | PSSR350-5-CH   | 3 1/2 | 5           | 4                    | 3 1/4 | 5/8              |
| PSSR400-3      | PSSR400-3-CH   | 4     | 3           | 4 1/2                | 3 1/4 | 5/8              |
| PSSR400-5      | PSSR400-5-CH   | 4     | 5           | 4 1/2                | 3 1/4 | 5/8              |

## DOSSERT®

### TYPE PSV Vertical Pipe Bus Support

A right angle bus support clamp for mounting the bus vertically on an insulator. Can be readily supplied for either 3 inch or 5 inch bolt circle for cap or base mounting.

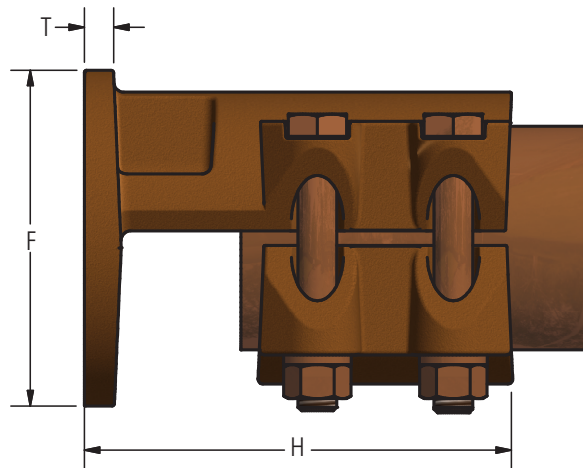
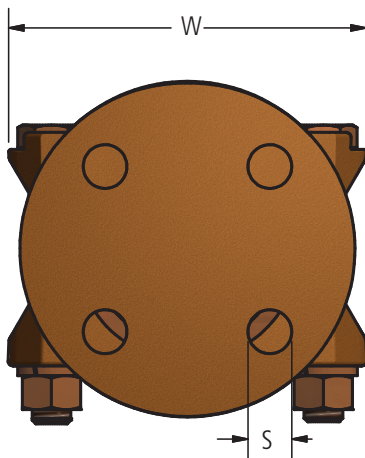
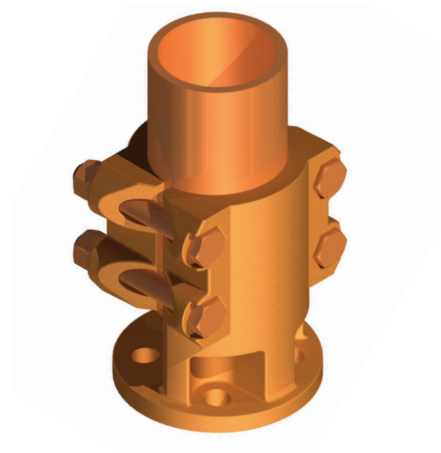
#### Material

Copper Alloy

#### Hardware

Everdur bolts, nuts and lockwashers

Mounting hardware galvanized steel



### Ordering Information

| CATALOG NUMBER | SPS   | BOLT CIRCLE | DIMENSIONS IN INCHES |        |       |       |         | CANTILEVER FORCE LBS |          |
|----------------|-------|-------------|----------------------|--------|-------|-------|---------|----------------------|----------|
|                |       |             | F                    | H      | S     | T     | W       | ALLOWABLE            | ULTIMATE |
| PSV100-3       | 1     | 3           | 4 1/4                | 4 3/8  | 9/16  | 3/8   | 3 1/8   | 1920                 | 2750     |
| PSV150-3       | 1 1/2 | 3           | 4 1/4                | 4 3/4  | 9/16  | 3/8   | 3 11/16 | 2000                 | 2880     |
| PSV150-5       | 1 1/2 | 5           | 6 1/4                | 4 3/4  | 11/16 | 3/8   | 3 11/16 | 4130                 | 5950     |
| PSV200-3       | 2     | 3           | 4 1/4                | 5 1/2  | 9/16  | 3/8   | 4 1/8   | 2080                 | 2990     |
| PSV200-5       | 2     | 5           | 6 1/4                | 4 3/4  | 11/16 | 3/8   | 4 1/8   | 4430                 | 6380     |
| PSV250-3       | 2 1/2 | 3           | 4 1/4                | 5 1/2  | 9/16  | 13/32 | 4 5/8   | 2160                 | 3110     |
| PSV250-5       | 2 1/2 | 5           | 6 1/4                | 4 3/4  | 11/16 | 13/32 | 4 5/8   | 4590                 | 6610     |
| PSV300-3       | 3     | 3           | 4 1/4                | 5 5/16 | 9/16  | 13/32 | 5 5/8   | 2240                 | 3230     |
| PSV300-5       | 3     | 5           | 6 1/4                | 5 5/16 | 11/16 | 13/32 | 5 5/8   | 4870                 | 7010     |
| PSV350-3       | 3 1/2 | 3           | 4 1/4                | 4 7/8  | 9/16  | 13/32 | 6 1/8   | 2720                 | 3920     |
| PSV350-5       | 3 1/2 | 5           | 6 1/4                | 5 1/2  | 11/16 | 13/32 | 6 1/8   | 5030                 | 7240     |
| PSV400-3       | 4     | 3           | 4 1/4                | 4 7/8  | 9/16  | 13/32 | 6 5/8   | 2820                 | 4060     |
| PSV400-5       | 4     | 5           | 6 1/4                | 4 7/8  | 11/16 | 3/8   | 6 5/8   | 5350                 | 7700     |



## DOSSERT® TYPE SBC

### Sliding Bus Support For Tubular Bus

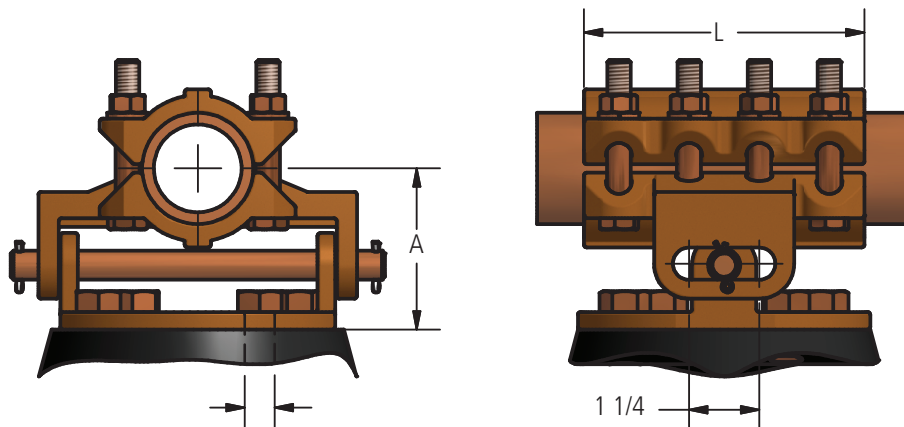
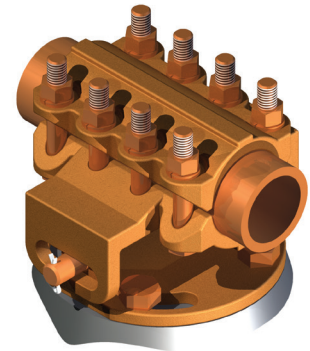
A sliding bus support coupler for standard pipe size tubular bus. Finds wide application where short membered tubular buses are to be joined and supported on structural members or insulators. Complete unit is corrosion resistant and nonmagnetic.

#### Material

Copper Alloy

#### Hardware

Everdur bolts, nuts, lockwashers, washers, stainless steel cotter pin  
Mounting hardware galvanized steel



### Ordering Information

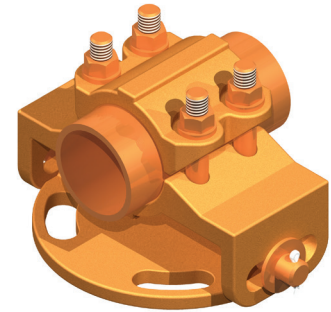
| CATALOG NUMBER | SPS   | BOLT CIRCLE | DIMENSIONS IN INCHES |       | BOLT SIZE |
|----------------|-------|-------------|----------------------|-------|-----------|
|                |       |             | A                    | L     |           |
| SBC75-3        | 3/4   | 3           | 2                    | 3 1/2 | 3/8       |
| SBC75-5        | 3/4   | 5           | 2 1/4                | 3 1/2 | 3/8       |
| SBC100-3       | 1     | 3           | 2                    | 4 1/2 | 3/8       |
| SBC100-5       | 1     | 5           | 2 1/4                | 4 1/2 | 3/8       |
| SCB125-3       | 1 1/4 | 3           | 2 1/4                | 5 1/2 | 1/2       |
| SCB125-5       | 1 1/4 | 5           | 2 3/8                | 5 1/2 | 1/2       |
| SCB150-3       | 1 1/2 | 3           | 2 1/2                | 5 3/4 | 1/2       |
| SCB150-5       | 1 1/2 | 5           | 2 1/2                | 5 3/4 | 1/2       |
| SCB200-3       | 2     | 3           | 2 3/4                | 6     | 1/2       |
| SCB200-5       | 2     | 5           | 2 3/4                | 6     | 1/2       |
| SCB250-3       | 2 1/2 | 3           | 3 1/8                | 6     | 1/2       |
| SCB250-5       | 2 1/2 | 5           | 3 1/8                | 6     | 1/2       |
| SCB300-5       | 3     | 3           | 3 5/8                | 7     | 5/8       |
| SCB350-5       | 3 1/2 | 5           | 4                    | 8     | 5/8       |
| SCB400-5       | 4     | 3           | 4 1/2                | 8 3/4 | 5/8       |

## DOSSERT®

### TYPE SBS

#### Sliding Bus Support For Tubular Bus

A sliding bus support for standard pipe size tubular bus. The clamp and bracket constitute a rigid member while free axial movement is effected between the bracket and mounting base. Support also permits mounting of tubular buses at slight angular deviation.

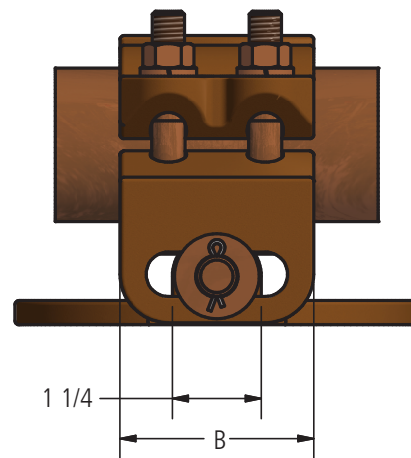
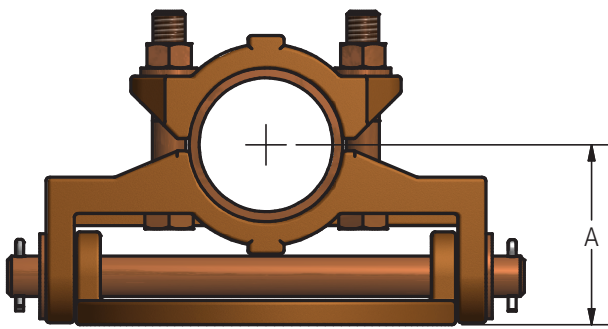


#### Material

Copper Alloy

#### Hardware

Everdur bolts, nuts and lockwashers  
Mounting hardware galvanized steel



#### Ordering Information

| CATALOG NUMBER | SPS   | BOLT CIRCLE | DIMENSIONS IN INCHES |       |           |
|----------------|-------|-------------|----------------------|-------|-----------|
|                |       |             | A                    | B     | BOLT SIZE |
| SBS100-3       | 1     | 3           | 2                    | 2 1/8 | 3/8       |
| SBS100-5       | 1     | 5           | 2 1/4                | 2 1/8 | 3/8       |
| SBS125-3       | 1 1/4 | 3           | 2 1/4                | 2 5/8 | 1/2       |
| SBS125-5       | 1 1/4 | 5           | 2 3/8                | 2 5/8 | 1/2       |
| SBS150-3       | 1 1/2 | 3           | 2 1/2                | 2 7/8 | 1/2       |
| SBS150-5       | 1 1/2 | 5           | 2 1/2                | 2 7/8 | 1/2       |
| SBS200-3       | 2     | 3           | 2 3/4                | 3     | 1/2       |
| SBS200-5       | 2     | 5           | 2 3/4                | 3     | 1/2       |
| SBS250-3       | 2 1/2 | 3           | 3 1/8                | 3 1/8 | 1/2       |
| SBS250-5       | 2 1/2 | 5           | 3 1/8                | 3 1/8 | 1/2       |
| SBS300-5       | 3     | 5           | 3 5/8                | 3 1/4 | 5/8       |
| SBS350-5       | 3 1/2 | 5           | 4                    | 3 1/4 | 5/8       |
| SBS400-5       | 4     | 5           | 4 1/2                | 3 3/8 | 5/8       |

## DOSSERT®

### TYPE XBC Copper Bus Support Coupler

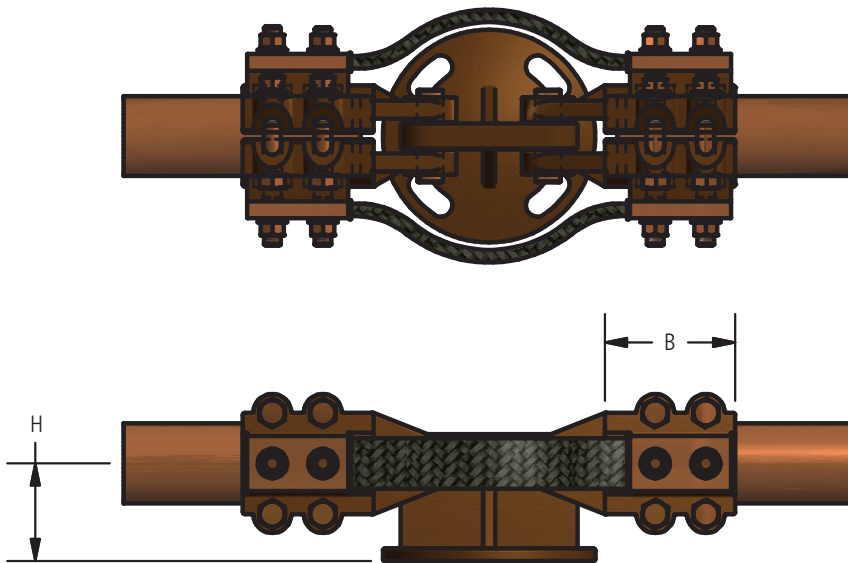
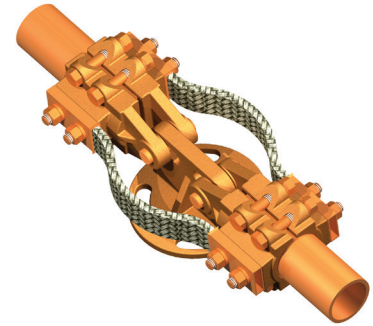
A bus support coupler with a flexible braid linkage designed to conduct the full rated load of the tubular buses and at the same time permit free axial movement of each bus member. The shackle type fitting allows slight angular deviation of the buses from the horizontal where they cannot be kept on a true plane.

#### Material

Copper Alloy

#### Hardware

Everdur bolts, nuts, lockwashers, galvanized steel clevis pin, and stainless steel cotter pin



### Ordering Information

| CATALOG NUMBER | SPS   | BOLT CIRCLE | DIMENSIONS IN INCHES |       | BOLT SIZE |
|----------------|-------|-------------|----------------------|-------|-----------|
|                |       |             | B                    | H     |           |
| XBC50-3        | 1/2   | 3           | 2 5/8                | 1 3/4 | 3/8       |
| XBC50-5        | 1/2   | 5           | 2 5/8                | 2 1/8 | 3/8       |
| XBC75-3        | 3/4   | 3           | 3                    | 2     | 3/8       |
| XBC75-5        | 3/4   | 5           | 3                    | 2 1/4 | 3/8       |
| XBC100-3       | 1     | 3           | 3                    | 2     | 3/8       |
| XBC100-5       | 1     | 5           | 3                    | 2 1/4 | 3/8       |
| XBC125-3       | 1 1/4 | 3           | 3                    | 2 1/4 | 1/2       |
| XBC125-5       | 1 1/4 | 5           | 3                    | 2 3/8 | 1/2       |
| XBC150-3       | 1 1/2 | 3           | 3 1/4                | 2 1/2 | 1/2       |
| XBC150-5       | 1 1/2 | 5           | 3 1/4                | 2 1/2 | 1/2       |
| XBC200-3       | 2     | 3           | 3 1/4                | 2 3/4 | 1/2       |
| XBC200-5       | 2     | 5           | 3 1/4                | 2 3/4 | 1/2       |
| XBC250-3       | 2 1/2 | 3           | 3 1/4                | 3 1/8 | 1/2       |
| XBC250-5       | 2 1/2 | 5           | 3 1/4                | 3 1/8 | 1/2       |
| XBC300-3       | 3     | 3           | 3 3/4                | 3 5/8 | 5/8       |
| XBC300-5       | 3     | 5           | 3 3/4                | 3 5/8 | 5/8       |
| XBC350-3       | 3 1/2 | 3           | 3 3/4                | 4     | 5/8       |
| XBC350-5       | 3 1/2 | 5           | 3 3/4                | 4     | 5/8       |
| XBC400-3       | 4     | 3           | 4                    | 4 1/2 | 5/8       |
| XBC400-5       | 4     | 5           | 4                    | 4 1/2 | 5/8       |
| XBC600-5       | 6     | 5           | 6 3/4                | 5 1/2 | 5/8       |