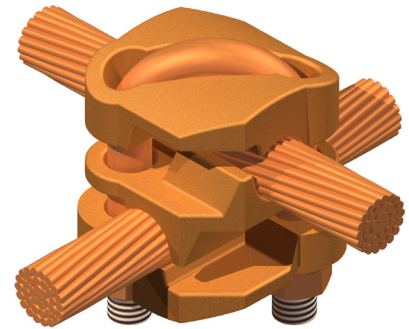


DOSSERT®

TYPE GG

Copper Ground Connector For Crossing Two Cables Or Ground Rod

A ground connector for crossing two wires or cables or for securing a cable or wire to a ground rod. Can also be used for equalizing over head cables and wire. Its high resistance to corrosion enables this connector to be buried in the ground after a connection is made.

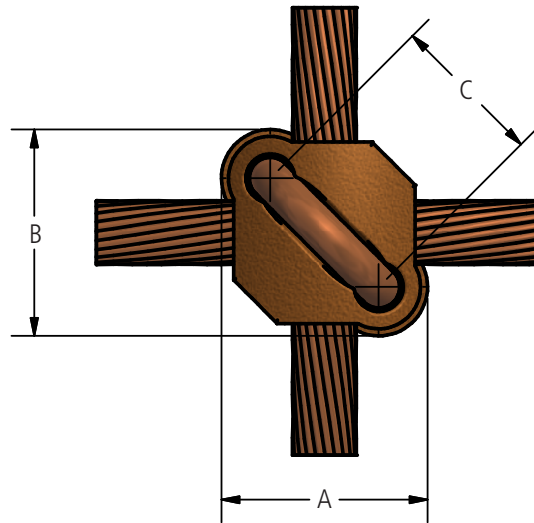
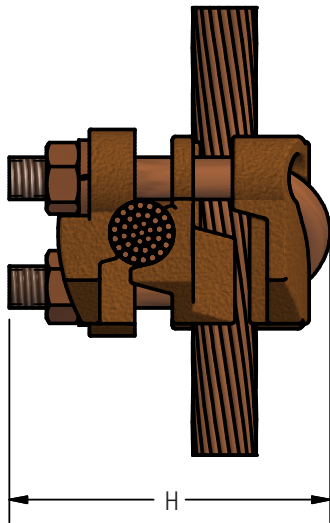


Material

Copper Alloy

Hardware

Everdur U-bolts, nuts and lockwashers



Ordering Information

CATALOG NUMBER	GROUND ROD	CABLE RANGE				DIMENSIONS IN INCHES				BOLT SIZE
		RUN		TAP		A	B	C	H	
		MIN	MAX	MIN	MAX					
GG4-4	-	8 Solid	4 Stranded	8 Solid	4 Stranded	1 17/32	1 17/32	15/16	1 3/4	3/8
GG13-4	3/8	4 Solid	2/0 Stranded	8 Solid	4 Stranded	1 23/32	1 17/32	1 1/16	2 1/8	3/8
GG13-13	3/8	4 Solid	2/0 Stranded	4 Solid	2/0 Stranded	1 23/32	1 23/32	1 1/8	2 5/16	3/8
GG25-4	1/2	2/0 Solid	250 MCM	8 Solid	4 Stranded	1 27/32	1 17/32	1 3/16	2 1/4	3/8
GG25-13	1/2	2/0 Solid	250 MCM	4 Solid	2/0 Stranded	1 27/32	1 23/32	1 9/32	2 1/2	3/8
GG25-25	1/2	2/0 Solid	250 MCM	2/0 Solid	250 MCM	1 27/32	1 27/32	1 3/8	2 5/8	3/8
GG50-4	3/4	300 MCM	500 MCM	8 Solid	4 Stranded	2 3/32	1 17/32	1 3/8	2 1/2	3/8
GG50-13	3/4	300 MCM	500 MCM	4 Solid	2/0 Stranded	2 3/32	1 23/32	1 15/32	2 3/4	3/8
GG50-25	3/4	300 MCM	500 MCM	2/0 Solid	250 MCM	2 3/32	1 27/32	1 9/16	2 7/8	3/8
GG50-50	3/4	300 MCM	500 MCM	300 MCM	500 MCM	2 3/32	2 3/32	1 23/32	3 3/8	1/2
GG75-4	1	500 MCM	750 MCM	8 Solid	4 Stranded	2 9/32	1 17/32	1 9/16	2 3/4	3/8
GG75-13	1	500 MCM	750 MCM	4 Solid	2/0 Stranded	2 9/32	1 23/32	1 21/32	3	3/8
GG75-25	1	500 MCM	750 MCM	2/0 Solid	250 MCM	2 9/32	1 27/32	1 23/32	3 1/8	3/8
GG75-50	1	500 MCM	750 MCM	300 MCM	500 MCM	2 21/32	2 3/32	1 31/32	3 5/8	1/2
GG75-75	1	500 MCM	750 MCM	500 MCM	750 MCM	2 21/32	2 21/32	2 3/16	3 15/16	1/2
GG100-4	-	750 MCM	1000 MCM	8 Solid	4 Stranded	2 7/16	1 17/32	1 23/32	3	3/8
GG100-13	-	750 MCM	1000 MCM	4 Solid	2/0 Stranded	2 7/16	1 23/32	1 25/32	3 1/4	3/8
GG100-25	-	750 MCM	1000 MCM	2/0 Solid	250 MCM	2 7/16	1 27/32	1 27/32	3 1/2	3/8
GG100-50	-	750 MCM	1000 MCM	300 MCM	500 MCM	2 13/16	2 3/32	2 3/32	3 13/16	1/2
GG100-75	-	750 MCM	1000 MCM	500 MCM	750 MCM	2 13/16	2 21/32	2 9/32	4 1/16	1/2
GG100-100	-	750 MCM	1000 MCM	750 MCM	1000 MCM	2 13/16	2 13/16	2 13/32	4 1/4	1/2

DOSSERT®

TYPE GTX

Copper Two Position Variable Distribution Tap

A variable type distribution tap for making parallel taps and cross connections. Each connector accommodates a range of cable sizes in each position.

Material

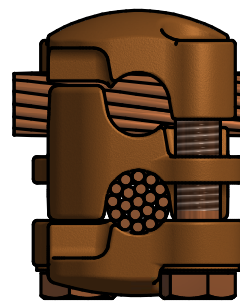
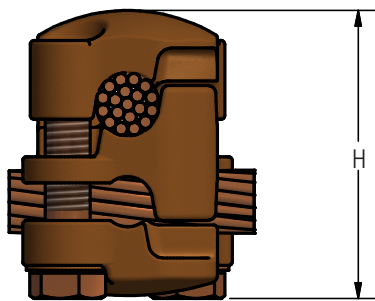
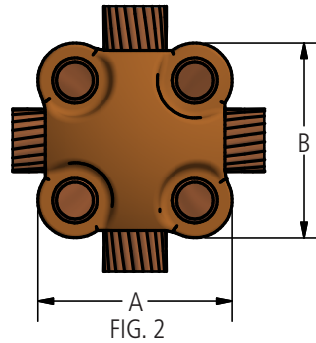
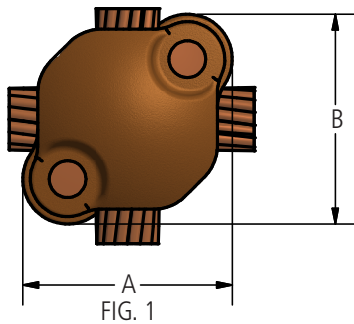
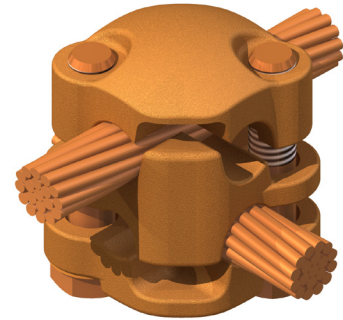
Copper Alloy

Hardware

Everdur bolts and lockwashers

Note

For tin plating add suffix "-SN" to catalog number.



Ordering Information

CATALOG NUMBER	FIGURE NUMBER	CABLE RANGE				DIMENSIONS IN INCHES			U-BOLT SIZE
		RUN		TAP		A	B	H	
		MIN	MAX	MIN	MAX				
GTX6-6	1	6 Stranded	2 Stranded	6 Stranded	2 Stranded	1 3/8	1 3/8	1 3/4	5/16
GTX21-6	1	1 Stranded	4/0 Stranded	6 Stranded	2 Stranded	1 5/8	1 1/2	2	5/16
GTX21-21	1	1 Stranded	4/0 Stranded	1 Stranded	4/0 Stranded	1 3/4	1 3/4	2 3/8	3/8
GTX50-6	1	250 MCM	500 MCM	6 Stranded	2 Stranded	1 7/8	1 5/8	2 5/16	5/16
GTX50-21	1	250 MCM	500 MCM	1 Stranded	4/0 Stranded	1 13/16	2 1/16	2 3/4	3/8
GTX50-50	2	250 MCM	500 MCM	250 MCM	500 MCM	2 1/16	2 1/16	3	3/8
GTX100-6	1	500 MCM	1000 MCM	6 Stranded	2 Stranded	2 1/4	2 3/8	2 7/8	3/8
GTX100-21	1	500 MCM	1000 MCM	1 Stranded	4/0 Stranded	2 1/4	2 3/8	3 1/4	3/8
GTX100-50	2	500 MCM	1000 MCM	250 MCM	500 MCM	2 1/4	2 3/8	3 5/8	3/8
GTX100-100	2	500 MCM	1000 MCM	500 MCM	1000 MCM	2 3/8	2 3/8	3 7/8	3/8

Bronze Parallel, Cross, and Bar Taps

DOSSERT®

TYPE GX

Grounding Connector For Direct Contact Cross Conductors

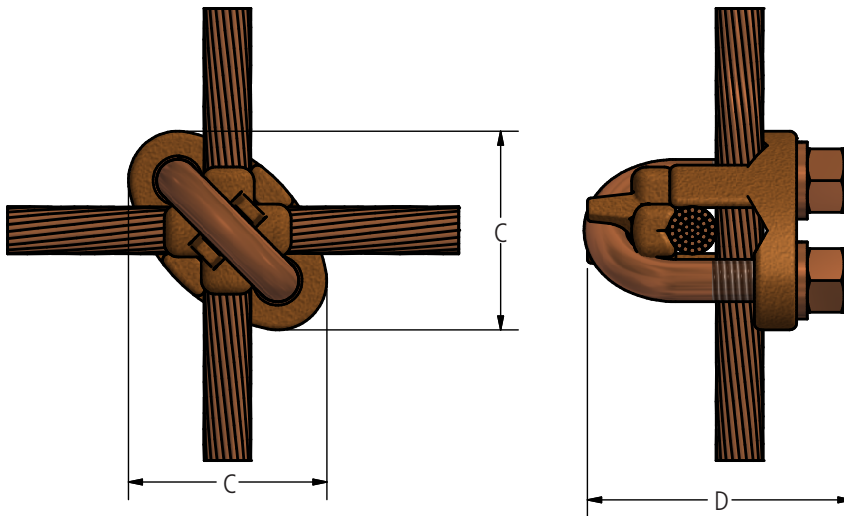
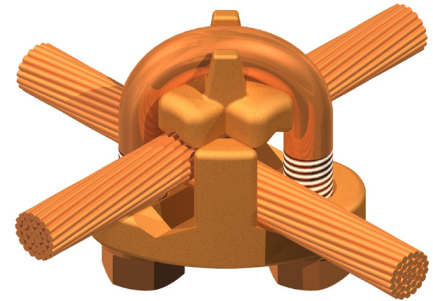
A grounding connector for direct contact cross grounding wire or cable. Each clamp accommodates two conductors of the minimum or maximum size or any intermediate combination of conductors.

Material

Copper Alloy

Hardware

Everdur U-bolts, nuts and lockwashers



Ordering Information

CATALOG NUMBER	CABLE RANGE		DIMENSIONS IN INCHES		BOLT SIZE
	MIN	MAX	C	D	
GX13-13	6 Str	2/0 Str	1 3/4	1 11/16	3/8
GX21-21	1 Str	4/0 Str	1 7/8	2 1/4	3/8
GX30-30	1/0 Str	300 MCM	2 5/16	2 3/4	1/2
GX50-50	300 MCM	500 MCM	2 1/2	3 3/16	1/2
GX80-80	500 MCM	800 MCM	2 3/4	3 9/16	1/2
GX100-100	750 MCM	1000 MCM	3 1/4	4 1/4	5/8