

TYPE SW2CTA-45-AA Swage Two Cable 45-Degree Terminal

A swage type two cable angled terminals on a nema pad.

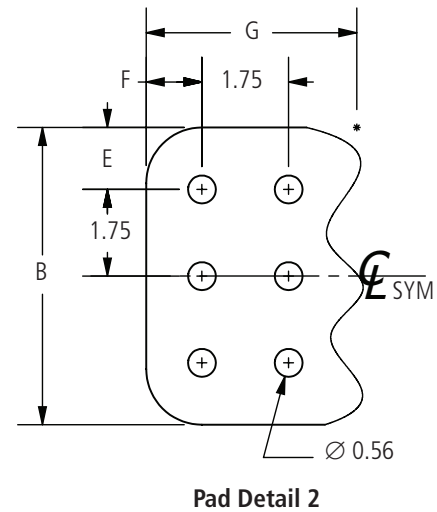
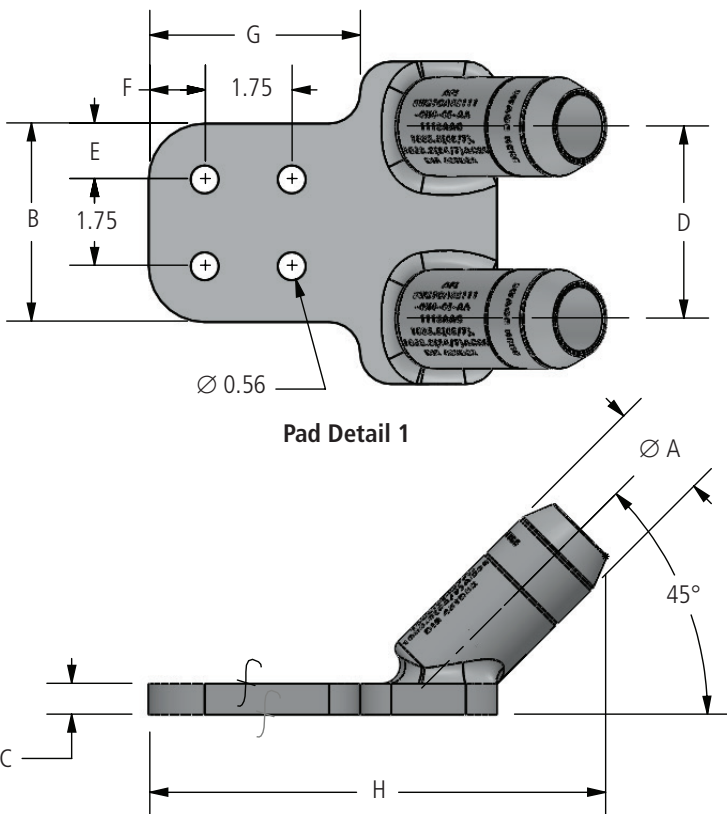
Material

Aluminum Alloy

Notes

- Prefilled with AFL Filler Compound (AFC) and capped.
- For Electro Tin plate add "-SN" to AFL No.
EX: SW2CTA2026-4N-45-AA-SN
- For 5 inch, 8 inch or 18 inch cable spacing add "-XX" to AFL No.
EX: SW2CTA2026-18-4N-45-AA

f—Machine Finish



continued
→



TYPE SW2CTA-45-AA
Swage Two Cable 45-Degree Terminal

Ordering Information

| AFL NO. | CABLE SIZE | | PAD DETAIL | DIMENSIONS IN INCHES | | | | | | | | DIE SIZE |
|----------------------|---------------|--|---------------|----------------------|------|------|------|------|------|------|------|-------------|
| | AAC | ACSR | | A | B | C | D | E | F | G | H | |
| SW2CTA1613-4N-45-AA | 2/0 | 1/0 (6/1) | 1 | 1.00 | 3.00 | 0.50 | 2.75 | 0.63 | 0.63 | 3.25 | 6.85 | 45TD16 |
| SW2CTA1613-4N4-45-AA | | | 1 | 1.00 | 4.00 | 0.50 | 2.75 | 1.13 | 1.13 | 4.25 | 7.79 | 45TD16 |
| SW2CTA1613-5N4-45-AA | | | 2 | 1.00 | 5.00 | 0.50 | 2.75 | 0.75 | 1.13 | 4.25 | 7.79 | 45TD16 |
| SW2CTA1613-6N4-45-AA | | | 2 | 1.00 | 6.00 | 0.50 | 2.75 | 1.25 | 1.13 | 4.25 | 7.79 | 45TD16 |
| SW2CTA1617-4N-45-AA | 3/0 | 2/0 (6/1) | 1 | 1.00 | 3.00 | 0.50 | 2.75 | 0.63 | 0.63 | 3.25 | 6.85 | 45TD16 |
| SW2CTA1617-4N4-45-AA | | | 1 | 1.00 | 4.00 | 0.50 | 2.75 | 1.13 | 1.13 | 4.25 | 7.79 | 45TD16 |
| SW2CTA1617-5N4-45-AA | | | 2 | 1.00 | 5.00 | 0.50 | 2.75 | 0.75 | 1.13 | 4.25 | 7.79 | 45TD16 |
| SW2CTA1617-6N4-45-AA | | | 2 | 1.00 | 6.00 | 0.50 | 2.75 | 1.25 | 1.13 | 4.25 | 7.79 | 45TD16 |
| SW2CTA1621-4N-45-AA | 4/0 | 3/0 (6/1) | 1 | 1.00 | 3.00 | 0.50 | 2.75 | 0.63 | 0.63 | 3.25 | 6.85 | 45TD16 |
| SW2CTA1621-4N4-45-AA | | | 1 | 1.00 | 4.00 | 0.50 | 2.75 | 1.13 | 1.13 | 4.25 | 7.79 | 45TD16 |
| SW2CTA1621-5N4-45-AA | | | 2 | 1.00 | 5.00 | 0.50 | 2.75 | 0.75 | 1.13 | 4.25 | 7.79 | 45TD16 |
| SW2CTA1621-6N4-45-AA | | | 2 | 1.00 | 6.00 | 0.50 | 2.75 | 1.25 | 1.13 | 4.25 | 7.79 | 45TD16 |
| SW2CTA1625-4N-45-AA | 250 | 4/0 (6/1) | 1 | 1.00 | 3.00 | 0.50 | 2.75 | 0.63 | 0.63 | 3.25 | 6.85 | 45TD16 |
| SW2CTA1625-4N4-45-AA | | | 1 | 1.00 | 4.00 | 0.50 | 2.75 | 1.13 | 1.13 | 4.25 | 7.79 | 45TD16 |
| SW2CTA1625-5N4-45-AA | | | 2 | 1.00 | 5.00 | 0.50 | 2.75 | 0.75 | 1.13 | 4.25 | 7.79 | 45TD16 |
| SW2CTA1625-6N4-45-AA | | | 2 | 1.00 | 6.00 | 0.50 | 2.75 | 1.25 | 1.13 | 4.25 | 7.79 | 45TD16 |
| SW2CTA2026-4N-45-AA | 266.8 | 266.8 (18/1) | 1 | 1.25 | 3.00 | 0.50 | 2.75 | 0.63 | 0.63 | 3.25 | 7.09 | 45TD20 |
| SW2CTA2026-4N4-45-AA | | | 1 | 1.25 | 4.00 | 0.50 | 2.75 | 1.13 | 1.13 | 4.25 | 8.03 | 45TD20 |
| SW2CTA2026-5N4-45-AA | | | 2 | 1.25 | 5.00 | 0.50 | 2.75 | 0.75 | 1.13 | 4.25 | 8.03 | 45TD20 |
| SW2CTA2026-6N4-45-AA | | | 2 | 1.25 | 6.00 | 0.50 | 2.75 | 1.25 | 1.13 | 4.25 | 8.03 | 45TD20 |
| SW2CTA2030-4N-45-AA | 300 | 266.8 (26/7) | 1 | 1.25 | 3.00 | 0.50 | 2.75 | 0.63 | 0.63 | 3.25 | 7.09 | 45TD20 |
| SW2CTA2030-4N4-45-AA | | | 1 | 1.25 | 4.00 | 0.50 | 2.75 | 1.13 | 1.13 | 4.25 | 8.03 | 45TD20 |
| SW2CTA2030-5N4-45-AA | | | 2 | 1.25 | 5.00 | 0.50 | 2.75 | 0.75 | 1.13 | 4.25 | 8.03 | 45TD20 |
| SW2CTA2030-6N4-45-AA | | | 2 | 1.25 | 6.00 | 0.50 | 2.75 | 1.25 | 1.13 | 4.25 | 8.03 | 45TD20 |
| SW2CTA2035-4N-45-AA | 336.4, 350 | 300 (26/7), 336.4 (18/1) | 1 | 1.25 | 3.00 | 0.50 | 2.75 | 0.63 | 0.63 | 3.25 | 7.09 | 45TD20 |
| SW2CTA2035-4N4-45-AA | | | 1 | 1.25 | 4.00 | 0.50 | 2.75 | 1.13 | 1.13 | 4.25 | 8.03 | 45TD20 |
| SW2CTA2035-5N4-45-AA | | | 2 | 1.25 | 5.00 | 0.50 | 2.75 | 0.75 | 1.13 | 4.25 | 8.03 | 45TD20 |
| SW2CTA2035-6N4-45-AA | | | 2 | 1.25 | 6.00 | 0.50 | 2.75 | 1.25 | 1.13 | 4.25 | 8.03 | 45TD20 |
| SW2CTA2039-4N-45-AA | 397.5 | 336.4 (26/7), 336.4 (30/7), 397.5 (18/1) | 1 | 1.25 | 3.00 | 0.50 | 2.75 | 0.63 | 0.63 | 3.25 | 7.09 | 45TD20 |
| SW2CTA2039-4N4-45-AA | | | 1 | 1.25 | 4.00 | 0.50 | 2.75 | 1.13 | 1.13 | 4.25 | 8.03 | 45TD20 |
| SW2CTA2039-5N4-45-AA | | | 2 | 1.25 | 5.00 | 0.50 | 2.75 | 0.75 | 1.13 | 4.25 | 8.03 | 45TD20 |
| SW2CTA2039-6N4-45-AA | | | 2 | 1.25 | 6.00 | 0.50 | 2.75 | 1.25 | 1.13 | 4.25 | 8.03 | 45TD20 |
| SW2CTA2445-4N-45-AA | 450 | 397.5 (24/7), 397.5 (26/7) | 1 | 1.50 | 3.00 | 0.50 | 3.63 | 0.63 | 0.63 | 3.25 | 7.15 | 45TD24 |
| SW2CTA2445-4N4-45-AA | | | 1 | 1.50 | 4.00 | 0.50 | 3.63 | 1.13 | 1.13 | 4.25 | 8.09 | 45TD24 |
| SW2CTA2445-5N4-45-AA | | | 2 | 1.50 | 5.00 | 0.50 | 3.63 | 0.75 | 1.13 | 4.25 | 8.09 | 45TD24 |
| SW2CTA2445-6N4-45-AA | | | 2 | 1.50 | 6.00 | 0.50 | 3.63 | 1.25 | 1.13 | 4.25 | 9.09 | 45TD24 |
| SW2CTA2447-4N-45-AA | 477 | 397.5 (30/7) | 1 | 1.50 | 3.00 | 0.50 | 3.63 | 0.63 | 0.63 | 3.25 | 7.15 | 45TD24 |
| SW2CTA2447-4N4-45-AA | | | 1 | 1.50 | 4.00 | 0.50 | 3.63 | 1.13 | 1.13 | 4.25 | 8.09 | 45TD24 |
| SW2CTA2447-5N4-45-AA | | | 2 | 1.50 | 5.00 | 0.50 | 3.63 | 0.75 | 1.13 | 4.25 | 8.09 | 45TD24 |
| SW2CTA2447-6N4-45-AA | | | 2 | 1.50 | 6.00 | 0.50 | 3.63 | 1.25 | 1.13 | 4.25 | 9.09 | 45TD24 |
| SW2CTA2450-4N-45-AA | 500 | 477 (18/1) | 1 | 1.50 | 3.00 | 0.50 | 3.63 | 0.63 | 0.63 | 3.25 | 7.15 | 45TD24 |
| SW2CTA2450-4N4-45-AA | | | 1 | 1.50 | 4.00 | 0.50 | 3.63 | 1.13 | 1.13 | 4.25 | 8.09 | 45TD24 |
| SW2CTA2450-5N4-45-AA | | | 2 | 1.50 | 5.00 | 0.50 | 3.63 | 0.75 | 1.13 | 4.25 | 8.09 | 45TD24 |
| SW2CTA2450-6N4-45-AA | | | 2 | 1.50 | 6.00 | 0.50 | 3.63 | 1.25 | 1.13 | 4.25 | 9.09 | 45TD24 |
| SW2CTA2455-4N-45-AA | 556.5 | 477 (24/7), 477 (26/7) | 1 | 1.50 | 3.00 | 0.50 | 3.63 | 0.63 | 0.63 | 3.25 | 7.15 | 45TD24 |
| SW2CTA2455-4N4-45-AA | | | 1 | 1.50 | 4.00 | 0.50 | 3.63 | 1.13 | 1.13 | 4.25 | 8.09 | 45TD24 |
| SW2CTA2455-5N4-45-AA | | | 2 | 1.50 | 5.00 | 0.50 | 3.63 | 0.75 | 1.13 | 4.25 | 8.09 | 45TD24 |
| SW2CTA2455-6N4-45-AA | | | 2 | 1.50 | 6.00 | 0.50 | 3.63 | 1.25 | 1.13 | 4.25 | 9.09 | 45TD24 |

continued
→

SWAGE360® Cable Accessories



TYPE SW2CTA-45-AA
Swage Two Cable 45-Degree Terminal

Ordering Information

| AFL NO. | CABLE SIZE | | PAD DETAIL | DIMENSIONS IN INCHES | | | | | | | | DIE SIZE |
|-----------------------|---------------|---|---------------|----------------------|------|------|------|------|------|------|-------|-------------|
| | AAC | ACSR | | A | B | C | D | E | F | G | H | |
| SW2CTA2860-4N-45-AA | 600 | 477 (30/7), 556.5 (18/1) | 1 | 1.75 | 3.00 | 0.63 | 3.75 | 0.63 | 0.63 | 3.25 | 8.14 | 45TD28 |
| SW2CTA2860-4N4-45-AA | | | 1 | 1.75 | 4.00 | 0.63 | 3.75 | 1.13 | 1.13 | 4.25 | 10.14 | 45TD28 |
| SW2CTA2860-5N4-45-AA | | | 2 | 1.75 | 5.00 | 0.63 | 3.75 | 0.75 | 1.13 | 4.25 | 10.14 | 45TD28 |
| SW2CTA2860-6N4-45-AA | | | 2 | 1.75 | 6.00 | 0.63 | 3.75 | 1.25 | 1.13 | 4.25 | 9.20 | 45TD28 |
| SW2CTA2863-4N-45-AA | 636 | 556.5 (24/7), 556.5 (26/7) | 1 | 1.75 | 3.00 | 0.63 | 3.75 | 0.63 | 0.63 | 3.25 | 8.20 | 45TD28 |
| SW2CTA2863-4N4-45-AA | | | 1 | 1.75 | 4.00 | 0.63 | 3.75 | 1.13 | 1.13 | 4.25 | 10.14 | 45TD28 |
| SW2CTA2863-5N4-45-AA | | | 2 | 1.75 | 5.00 | 0.63 | 3.75 | 0.75 | 1.13 | 4.25 | 10.14 | 45TD28 |
| SW2CTA2863-6N4-45-AA | | | 2 | 1.75 | 6.00 | 0.63 | 3.75 | 1.25 | 1.13 | 4.25 | 9.20 | 45TD28 |
| SW2CTA2871-4N-45-AA | 700, 715.5 | 556.5 (30/7), 605 (24/7), 605 (26/7), 636 (18/1), 636 (36/1) | 1 | 1.75 | 3.00 | 0.63 | 3.75 | 0.63 | 0.63 | 3.25 | 8.20 | 45TD28 |
| SW2CTA2871-4N4-45-AA | | | 1 | 1.75 | 4.00 | 0.63 | 3.75 | 1.13 | 1.13 | 4.25 | 10.14 | 45TD28 |
| SW2CTA2871-5N4-45-AA | | | 2 | 1.75 | 5.00 | 0.63 | 3.75 | 0.75 | 1.13 | 4.25 | 10.14 | 45TD28 |
| SW2CTA2871-6N4-45-AA | | | 2 | 1.75 | 6.00 | 0.63 | 3.75 | 1.25 | 1.13 | 4.25 | 9.20 | 45TD28 |
| SW2CTA3075-4N-45-AA | 750 | 605 (30/7), 605 (30/19), 636 (24/7), 636 (26/7) | 1 | 1.88 | 3.00 | 0.63 | 3.88 | 0.63 | 0.63 | 3.25 | 8.16 | 45TD30 |
| SW2CTA3075-4N4-45-AA | | | 1 | 1.88 | 4.00 | 0.63 | 3.88 | 1.13 | 1.13 | 4.25 | 10.10 | 45TD30 |
| SW2CTA3075-5N4-45-AA | | | 2 | 1.88 | 5.00 | 0.63 | 3.88 | 0.75 | 1.13 | 4.25 | 10.10 | 45TD30 |
| SW2CTA3075-6N4-45-AA | | | 2 | 1.88 | 6.00 | 0.63 | 3.88 | 1.25 | 1.13 | 4.25 | 9.16 | 45TD30 |
| SW2CTA3079-4N-45-AA | 795 | 636 (30/7), 636 (30/19), 715.5 (24/7), 715.5 (54/7), 795 (36/1) | 1 | 1.88 | 3.00 | 0.63 | 3.88 | 0.63 | 0.63 | 3.25 | 8.16 | 45TD30 |
| SW2CTA3079-4N4-45-AA | | | 1 | 1.88 | 4.00 | 0.63 | 3.88 | 1.13 | 1.13 | 4.25 | 10.10 | 45TD30 |
| SW2CTA3079-5N4-45-AA | | | 2 | 1.88 | 5.00 | 0.63 | 3.88 | 0.75 | 1.13 | 4.25 | 10.10 | 45TD30 |
| SW2CTA3079-6N4-45-AA | | | 2 | 1.88 | 6.00 | 0.63 | 3.88 | 1.25 | 1.13 | 4.25 | 9.16 | 45TD30 |
| SW2CTA3087-4N-45-AA | 874.5 | 715.5 (26/7), 715.5 (30/19), 795 (45/7) | 1 | 1.88 | 3.00 | 0.63 | 3.88 | 0.63 | 0.63 | 3.25 | 8.16 | 45TD30 |
| SW2CTA3087-4N4-45-AA | | | 1 | 1.88 | 4.00 | 0.63 | 3.88 | 1.13 | 1.13 | 4.25 | 10.10 | 45TD30 |
| SW2CTA3087-5N4-45-AA | | | 2 | 1.88 | 5.00 | 0.63 | 3.88 | 0.75 | 1.13 | 4.25 | 10.10 | 45TD30 |
| SW2CTA3087-6N4-45-AA | | | 2 | 1.88 | 6.00 | 0.63 | 3.88 | 1.25 | 1.13 | 4.25 | 9.16 | 45TD30 |
| SW2CTA3290-4N-45-AA | 900 | 795 (24/7), 795 (54/7), 795 (26/7) | 1 | 2.00 | 3.00 | 0.63 | 3.88 | 0.63 | 0.63 | 3.25 | 8.20 | 45TD32 |
| SW2CTA3290-4N4-45-AA | | | 1 | 2.00 | 4.00 | 0.63 | 3.88 | 1.13 | 1.13 | 4.25 | 10.14 | 45TD32 |
| SW2CTA3290-5N4-45-AA | | | 2 | 2.00 | 5.00 | 0.63 | 3.88 | 0.75 | 1.13 | 4.25 | 10.14 | 45TD32 |
| SW2CTA3290-6N4-45-AA | | | 2 | 2.00 | 6.00 | 0.63 | 3.88 | 1.25 | 1.13 | 4.25 | 9.20 | 45TD32 |
| SW2CTA3295-4N-45-AA | 954 | 795 (30/19), 900 (45/7) | 1 | 2.00 | 3.00 | 0.63 | 3.88 | 0.63 | 0.63 | 3.25 | 8.20 | 45TD32 |
| SW2CTA3295-4N4-45-AA | | | 1 | 2.00 | 4.00 | 0.63 | 3.88 | 1.13 | 1.13 | 4.25 | 10.14 | 45TD32 |
| SW2CTA3295-5N4-45-AA | | | 2 | 2.00 | 5.00 | 0.63 | 3.88 | 0.75 | 1.13 | 4.25 | 10.14 | 45TD32 |
| SW2CTA3295-6N4-45-AA | | | 2 | 2.00 | 6.00 | 0.63 | 3.88 | 1.25 | 1.13 | 4.25 | 9.20 | 45TD32 |
| SW2CTA32100-4N-45-AA | 1000 | 874.5 (54/7), 900 (54/7), 954 (45/7) | 1 | 2.00 | 3.00 | 0.63 | 3.88 | 0.63 | 0.63 | 3.25 | 8.20 | 45TD32 |
| SW2CTA32100-4N4-45-AA | | | 1 | 2.00 | 4.00 | 0.63 | 3.88 | 1.13 | 1.13 | 4.25 | 10.14 | 45TD32 |
| SW2CTA32100-5N4-45-AA | | | 2 | 2.00 | 5.00 | 0.63 | 3.88 | 0.75 | 1.13 | 4.25 | 10.14 | 45TD32 |
| SW2CTA32100-6N4-45-AA | | | 2 | 2.00 | 6.00 | 0.63 | 3.88 | 1.25 | 1.13 | 4.25 | 9.20 | 45TD32 |
| SW2CTA32103-4N-45-AA | 1033.5 | 954 (54/7) | 1 | 2.00 | 3.00 | 0.63 | 3.88 | 0.63 | 0.63 | 3.25 | 8.20 | 45TD32 |
| SW2CTA32103-4N4-45-AA | | | 1 | 2.00 | 4.00 | 0.63 | 3.88 | 1.13 | 1.13 | 4.25 | 10.14 | 45TD32 |
| SW2CTA32103-5N4-45-AA | | | 2 | 2.00 | 5.00 | 0.63 | 3.88 | 0.75 | 1.13 | 4.25 | 10.14 | 45TD32 |
| SW2CTA32103-6N4-45-AA | | | 2 | 2.00 | 6.00 | 0.63 | 3.88 | 1.25 | 1.13 | 4.25 | 9.20 | 45TD32 |
| SW2CTA32111-4N-45-AA | 1113 | 1033.5 (45/7), 1033.5 (54/7) | 1 | 2.00 | 3.00 | 0.63 | 3.88 | 0.63 | 0.63 | 3.25 | 8.20 | 45TD32 |
| SW2CTA32111-4N4-45-AA | | | 1 | 2.00 | 4.00 | 0.63 | 3.88 | 1.13 | 1.13 | 4.25 | 10.14 | 45TD32 |
| SW2CTA32111-5N4-45-AA | | | 2 | 2.00 | 5.00 | 0.63 | 3.88 | 0.75 | 1.13 | 4.25 | 10.14 | 45TD32 |
| SW2CTA32111-6N4-45-AA | | | 2 | 2.00 | 6.00 | 0.63 | 3.88 | 1.25 | 1.13 | 4.25 | 9.20 | 45TD32 |
| SW2CTA36119-4N-45-AA | 1192.5 | 1113 (45/7) | 1 | 2.25 | 3.00 | 0.75 | 4.00 | 0.63 | 0.63 | 3.25 | 8.38 | 45TD36 |
| SW2CTA36119-4N4-45-AA | | | 1 | 2.25 | 4.00 | 0.75 | 4.00 | 1.13 | 1.13 | 4.25 | 10.32 | 45TD36 |
| SW2CTA36119-5N4-45-AA | | | 2 | 2.25 | 5.00 | 0.75 | 4.00 | 0.75 | 1.13 | 4.25 | 10.32 | 45TD36 |
| SW2CTA36119-6N4-45-AA | | | 2 | 2.25 | 6.00 | 0.75 | 4.00 | 1.25 | 1.13 | 4.25 | 10.32 | 45TD36 |

continued
→



TYPE SW2CTA-45-AA
Swage Two Cable 45-Degree Terminal

Ordering Information

| AFL NO. | CABLE SIZE | | PAD DETAIL | DIMENSIONS IN INCHES | | | | | | | | DIE SIZE |
|-----------------------|------------|--------------------------------|---------------|----------------------|------|------|------|------|------|------|-------|-------------|
| | AAC | ACSR | | A | B | C | D | E | F | G | H | |
| SW2CTA36127-4N-45-AA | 1272 | 1113 (54/19), 1192.5 (45/7) | 1 | 2.25 | 3.00 | 0.75 | 4.00 | 0.63 | 0.63 | 3.25 | 8.38 | 45TD36 |
| SW2CTA36127-4N4-45-AA | | | 1 | 2.25 | 4.00 | 0.75 | 4.00 | 1.13 | 1.13 | 4.25 | 10.32 | 45TD36 |
| SW2CTA36127-5N4-45-AA | | | 2 | 2.25 | 5.00 | 0.75 | 4.00 | 0.75 | 1.13 | 4.25 | 10.32 | 45TD36 |
| SW2CTA36127-6N4-45-AA | | | 2 | 2.25 | 6.00 | 0.75 | 4.00 | 1.25 | 1.13 | 4.25 | 10.32 | 45TD36 |
| SW2CTA36135-4N-45-AA | 1351.5 | 1192.5 (54/19), 1272 (45/7) | 1 | 2.25 | 3.00 | 0.75 | 4.00 | 0.63 | 0.63 | 3.25 | 8.38 | 45TD36 |
| SW2CTA36135-4N4-45-AA | | | 1 | 2.25 | 4.00 | 0.75 | 4.00 | 1.13 | 1.13 | 4.25 | 10.32 | 45TD36 |
| SW2CTA36135-5N4-45-AA | | | 2 | 2.25 | 5.00 | 0.75 | 4.00 | 0.75 | 1.13 | 4.25 | 10.32 | 45TD36 |
| SW2CTA36135-6N4-45-AA | | | 2 | 2.25 | 6.00 | 0.75 | 4.00 | 1.25 | 1.13 | 4.25 | 10.32 | 45TD36 |
| SW2CTA36143-4N-45-AA | 1431 | 1272 (54/19), 1351.5 (45/7) | 1 | 2.25 | 3.00 | 0.75 | 4.00 | 0.63 | 0.63 | 3.25 | 8.38 | 45TD36 |
| SW2CTA36143-4N4-45-AA | | | 1 | 2.25 | 4.00 | 0.75 | 4.00 | 1.13 | 1.13 | 4.25 | 10.32 | 45TD36 |
| SW2CTA36143-5N4-45-AA | | | 2 | 2.25 | 5.00 | 0.75 | 4.00 | 0.75 | 1.13 | 4.25 | 10.32 | 45TD36 |
| SW2CTA36143-6N4-45-AA | | | 2 | 2.25 | 6.00 | 0.75 | 4.00 | 1.25 | 1.13 | 4.25 | 10.32 | 45TD36 |
| SW2CTA36151-4N-45-AA | 1510.5 | 1351.5 (54/19), 1431 (45/7) | 1 | 2.25 | 3.00 | 0.75 | 4.00 | 0.63 | 0.63 | 3.25 | 8.38 | 45TD36 |
| SW2CTA36151-4N4-45-AA | | | 1 | 2.25 | 4.00 | 0.75 | 4.00 | 1.13 | 1.13 | 4.25 | 10.32 | 45TD36 |
| SW2CTA36151-5N4-45-AA | | | 2 | 2.25 | 5.00 | 0.75 | 4.00 | 0.75 | 1.13 | 4.25 | 10.32 | 45TD36 |
| SW2CTA36151-6N4-45-AA | | | 2 | 2.25 | 6.00 | 0.75 | 4.00 | 1.25 | 1.13 | 4.25 | 10.32 | 45TD36 |
| SW2CTA36159-4N-45-AA | 1590 | 1431 (54/19), 1510.5 (45/7) | 1 | 2.25 | 3.00 | 0.75 | 4.00 | 0.63 | 0.63 | 3.25 | 8.38 | 45TD36 |
| SW2CTA36159-4N4-45-AA | | | 1 | 2.25 | 4.00 | 0.75 | 4.00 | 1.13 | 1.13 | 4.25 | 10.32 | 45TD36 |
| SW2CTA36159-5N4-45-AA | | | 2 | 2.25 | 5.00 | 0.75 | 4.00 | 0.75 | 1.13 | 4.25 | 10.32 | 45TD36 |
| SW2CTA36159-6N4-45-AA | | | 2 | 2.25 | 6.00 | 0.75 | 4.00 | 1.25 | 1.13 | 4.25 | 10.32 | 45TD36 |
| SW2CTA36175-4N-45-AA | 1750 | 1510.5 (54/19), 1590 (45/7) | 1 | 2.25 | 3.00 | 0.75 | 4.00 | 0.63 | 0.63 | 3.25 | 8.38 | 45TD36 |
| SW2CTA36175-4N4-45-AA | | | 1 | 2.25 | 4.00 | 0.75 | 4.00 | 1.13 | 1.13 | 4.25 | 10.32 | 45TD36 |
| SW2CTA36175-5N4-45-AA | | | 2 | 2.25 | 5.00 | 0.75 | 4.00 | 0.75 | 1.13 | 4.25 | 10.32 | 45TD36 |
| SW2CTA36175-6N4-45-AA | | | 2 | 2.25 | 6.00 | 0.75 | 4.00 | 1.25 | 1.13 | 4.25 | 10.32 | 45TD36 |
| SW2CTA36180-4N-45-AA | 1800 | 1590 (54/19) | 1 | 2.25 | 3.00 | 0.75 | 4.00 | 0.63 | 0.63 | 3.25 | 8.38 | 45TD36 |
| SW2CTA36180-4N4-45-AA | | | 1 | 2.25 | 4.00 | 0.75 | 4.00 | 1.13 | 1.13 | 4.25 | 10.32 | 45TD36 |
| SW2CTA36180-5N4-45-AA | | | 2 | 2.25 | 5.00 | 0.75 | 4.00 | 0.75 | 1.13 | 4.25 | 10.32 | 45TD36 |
| SW2CTA36180-6N4-45-AA | | | 2 | 2.25 | 6.00 | 0.75 | 4.00 | 1.25 | 1.13 | 4.25 | 10.32 | 45TD36 |
| SW2CTA44200-4N-45-AA | 2000 | 1780 (84/19) | 1 | 2.75 | 3.00 | 1.00 | 5.50 | 0.63 | 0.63 | 3.25 | 10.55 | 65TD44 |
| SW2CTA44200-4N4-45-AA | | | 1 | 2.75 | 4.00 | 1.00 | 5.50 | 1.13 | 1.13 | 4.25 | 10.55 | 65TD44 |
| SW2CTA44200-5N4-45-AA | | | 2 | 2.75 | 5.00 | 1.00 | 5.50 | 0.75 | 1.13 | 4.25 | 10.55 | 65TD44 |
| SW2CTA44200-6N4-45-AA | | | 2 | 2.75 | 6.00 | 1.00 | 5.50 | 1.25 | 1.13 | 4.25 | 10.55 | 65TD44 |
| SW2CTA44230-4N-45-AA | 2250 | 2156 (84/19), 2167 (72/7) | 1 | 2.75 | 3.00 | 1.00 | 5.50 | 0.63 | 0.63 | 3.25 | 10.55 | 65TD44 |
| SW2CTA44230-4N4-45-AA | | | 1 | 2.75 | 4.00 | 1.00 | 5.50 | 1.13 | 1.13 | 4.25 | 10.55 | 65TD44 |
| SW2CTA44230-5N4-45-AA | | | 2 | 2.75 | 5.00 | 1.00 | 5.50 | 0.75 | 1.13 | 4.25 | 10.55 | 65TD44 |
| SW2CTA44230-6N4-45-AA | | | 2 | 2.75 | 6.00 | 1.00 | 5.50 | 1.25 | 1.13 | 4.25 | 10.55 | 65TD44 |
| SW2CTA44250-4N-45-AA | 2500 | 2312 (76/19) | 1 | 2.75 | 3.00 | 1.00 | 5.50 | 0.63 | 0.63 | 3.25 | 10.55 | 65TD44 |
| SW2CTA44250-4N4-45-AA | | | 1 | 2.75 | 4.00 | 1.00 | 5.50 | 1.13 | 1.13 | 4.25 | 10.55 | 65TD44 |
| SW2CTA44250-5N4-45-AA | | | 2 | 2.75 | 5.00 | 1.00 | 5.50 | 0.75 | 1.13 | 4.25 | 10.55 | 65TD44 |
| SW2CTA44250-6N4-45-AA | | | 2 | 2.75 | 6.00 | 1.00 | 5.50 | 1.25 | 1.13 | 4.25 | 10.55 | 65TD44 |

SWAGE360® Cable Accessories