

DOSSERT® TYPE SCX-AA, S2CX-AA Aluminum Stud Connector for Cable

SCX-AA connects one cable to one stud and S2CX-AA connects two cables on one stud.

A variable conductor stud connector which takes a wide range of cable sizes in line or in a 90° position. The reversible cap permits optimum clamping for all cable sizes within the assigned ranges. In addition, one flat surface is machined to accommodate flat bar conductors. Can be furnished upon request in type SCX-N-AA with bolt holes to accommodate NEMA standard bar drilling.

Material

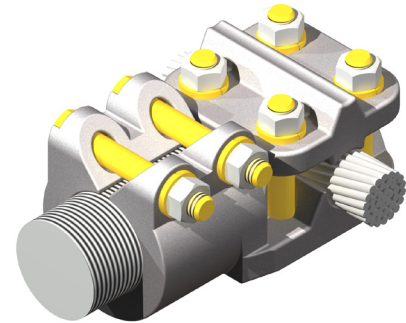
Aluminum Alloy

Hardware

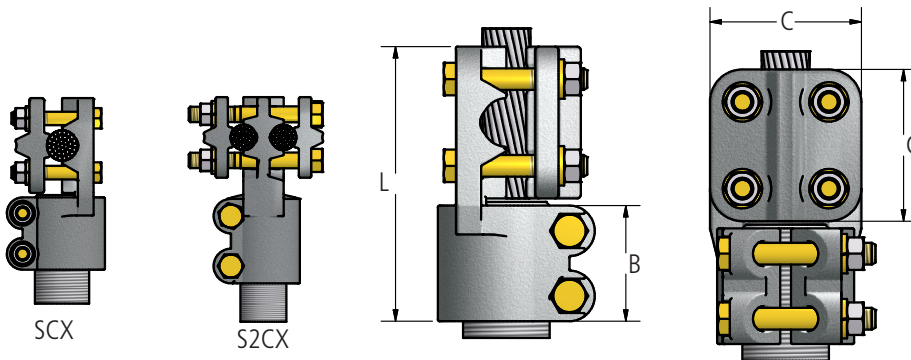
Yellow anodized aluminum bolts, nuts and lockwashers.

Notes

- For a 1" T14 stud, and two 1000 MCM cables order S2CX100-100-AA-T14



230 kV Aluminum Bolted Stud Connectors



Ordering Information

| CATALOG NUMBER | | STUD DIA. | THREADS PER INCH | CABLE RANGE | | SPS RANGE | | DIMENSIONS IN INCHES | | | BOLT SIZE |
|-------------------|--------------------|-----------|------------------|-------------|----------|--------------|--------------|----------------------|-------|-------|-----------|
| SCX-AA | S2CX-AA | | | MIN | MAX | SMALL GROOVE | LARGE GROOVE | B | C | L | |
| SCX50-21-T13-AA | S2CX50-21-T13-AA | 1/2 | 13 | #6 SOL | 4/0 STR | - | - | 2 | 2 | 4 5/8 | 3/8 |
| SCX75-21-T16-AA | S2CX75-21-T16-AA | 3/4 | 16 | #6 SOL | 4/0 STR | - | - | 2 | 2 | 4 5/8 | 3/8 |
| SCX75-50-T16-AA | S2CX75-50-T16-AA | 3/4 | 16 | #6 SOL | 500 MCM | 3/8 | 1/2 | 2 | 2 1/4 | 4 7/8 | 3/8 |
| SCX75-100-T16-AA | S2CX75-100-T16-AA | 3/4 | 16 | #2 SOL | 1000 MCM | 3/8 | 3/4 | 2 | 2 1/2 | 5 1/8 | 3/8 |
| SCX100-21-T14-AA | S2CX100-21-T14-AA | 1 | 14 | #6 SOL | 4/0 STR | - | - | 2 | 2 | 4 3/8 | 3/8 |
| SCX100-50-T14-AA | S2CX100-50-T14-AA | 1 | 14 | #6 SOL | 500 MCM | 3/8 | 1/2 | 2 | 2 1/4 | 4 7/8 | 3/8 |
| SCX100-50-T0-AA | S2CX100-50-T0-AA | 1 | 0 | #6 SOL | 500 MCM | 3/8 | 1/2 | 2 | 2 1/4 | 4 7/8 | 3/8 |
| SCX100-100-T14-AA | S2CX100-100-T14-AA | 1 | 14 | #2 SOL | 1000 MCM | 3/8 | 3/4 | 2 1/2 | 2 7/8 | 6 3/8 | 1/2 |
| SCX112-21-T12-AA | S2CX112-21-T12-AA | 1 1/8 | 12 | #6 SOL | 4/0 STR | - | - | 2 | 2 | 4 5/8 | 3/8 |
| SCX112-50-T12-AA | S2CX112-50-T12-AA | 1 1/8 | 12 | #6 SOL | 500 MCM | 3/8 | 1/2 | 2 | 2 1/4 | 4 7/8 | 3/8 |
| SCX112-100-T12-AA | S2CX112-100-T12-AA | 1 1/8 | 12 | #2 SOL | 1000 MCM | 3/8 | 3/4 | 2 3/4 | 2 7/8 | 6 3/8 | 1/2 |
| SCX125-100-T12-AA | S2CX125-100-T12-AA | 1 1/4 | 12 | #2 SOL | 1000 MCM | 3/8 | 3/4 | 2 3/4 | 2 7/8 | 6 3/8 | 1/2 |
| SCX150-21-T12-AA | S2CX150-21-T12-AA | 1 1/2 | 12 | #6 SOL | 500 MCM | - | - | 2 | 2 | 4 5/8 | 3/8 |
| SCX150-50-T12-AA | S2CX150-50-T12-AA | 1 1/2 | 12 | #6 SOL | 500 MCM | 3/8 | 1/2 | 2 | 2 1/4 | 4 7/8 | 3/8 |
| SCX150-100-T12-AA | S2CX150-100-T12-AA | 1 1/2 | 12 | #2 SOL | 1000 MCM | 3/8 | 3/4 | 2 3/4 | 2 7/8 | 6 3/8 | 1/2 |
| SCX150-200-T12-AA | S2CX150-200-T12-AA | 1 1/2 | 12 | 4/0 STR | 2000 MCM | 3/8 | 1 1/4 | 2 3/4 | 3 3/8 | 6 3/4 | 1/2 |
| SCX200-200-T12-AA | S2CX200-200-T12-AA | 2 | 12 | 4/0 STR | 2000 MCM | 3/8 | 1 1/4 | 2 3/4 | 3 3/8 | 6 3/4 | 1/2 |