

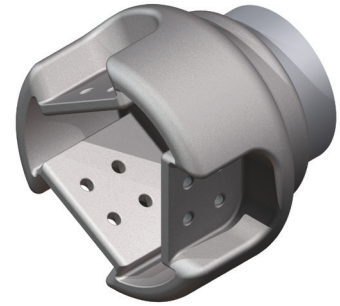
DOSSERT[®] TYPE WRP3C-8-V-AA

Welded Terminal to Three NEMA Pads

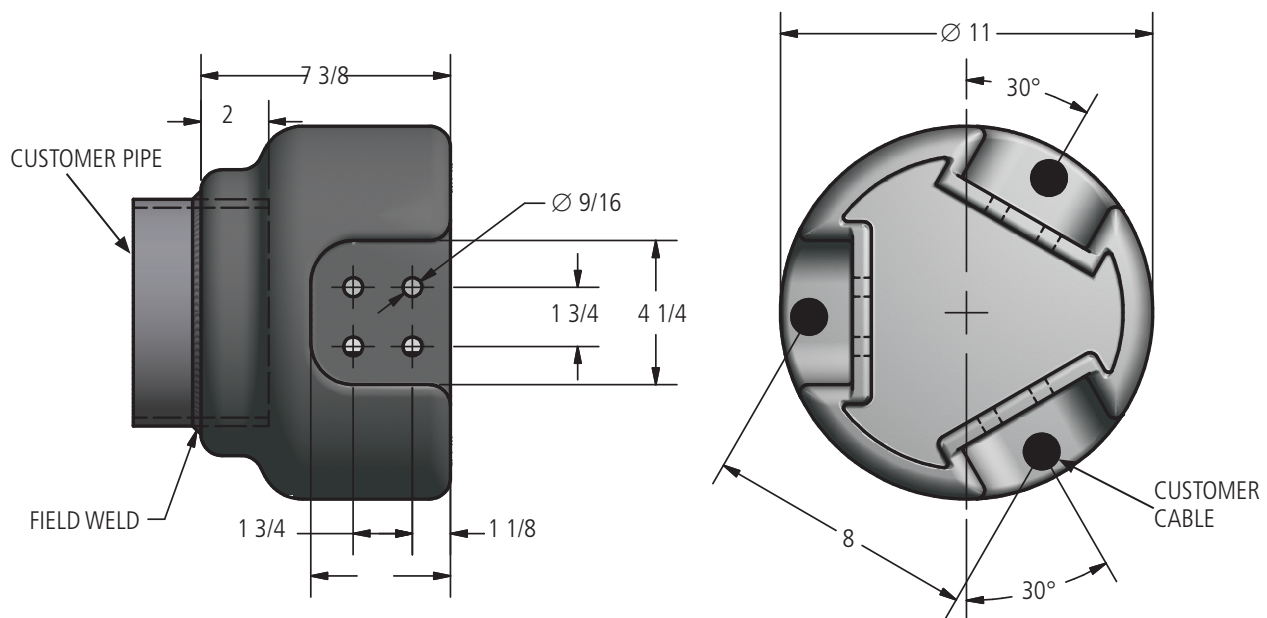
Pipe ending going to three NEMA pads. Part is designed to be corona free for 345 kV and 500 kV service.

Material

Aluminum Alloy



345/500 kV Couplers



Ordering Information

CATALOG NUMBER	SPS
WRP3C350-8-V-AA	3 1/2
WRP3C400-8-V-AA	4
WRP3C500-8-V-AA	5
WRP3C600-8-V-AA	6
WRP3C800R-8-V-AA	8 OD

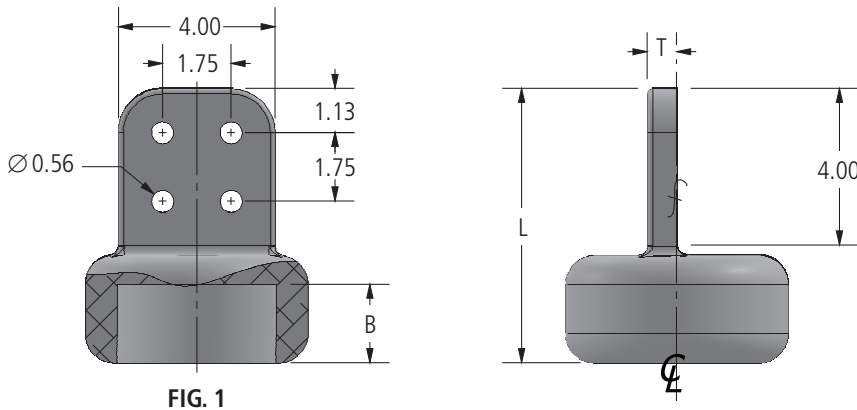
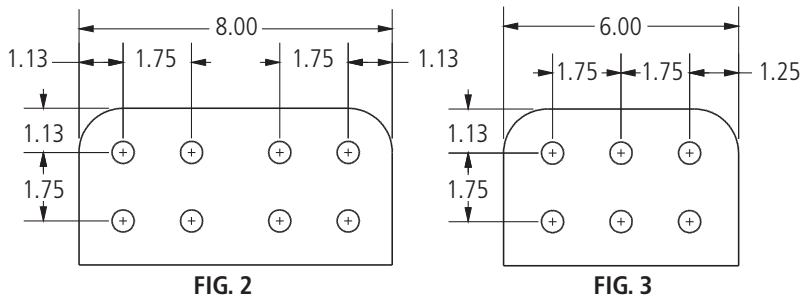
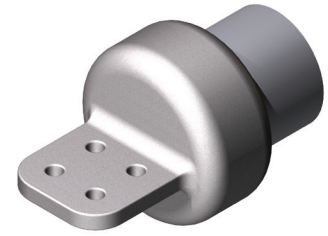
DOSSERT® TYPE WTPC-N-V-AA

Welded External Centerform Terminal

Terminal is designed to be corona free for 345 kV and 500 kV service when pad covers are used to shield terminal hardware.

Material

Aluminum Alloy



Ordering Information

CATALOG NUMBER	SPS	FIG. NO.	DIMENSIONS IN INCHES		
			B	L	T
WTPC200-4N4-V-AA	2	1	1.50	6.00	0.50
WTPC200-6N4-V-AA	2	3	1.50	6.00	0.50
WTPC300-4N4-V-AA	3	1	1.75	6.75	0.63
WTPC350-4N4-V-AA	3 1/2	1	2.00	7.00	0.75
WTPC400-4N4-V-AA	4	1	2.00	6.75	0.88
WTPC500-4N4-V-AA	5	1	2.75	7.75	0.88
WTPC500-6N4-V-AA	5	3	2.75	7.75	0.88
WTPC600-4N4-V-AA	6	1	3.00	8.00	1.00
WTPC600E-8N4-V-AA	6	2	3.00	8.00	1.00
WTPC800R-4N4-V-AA	8 OD	1	3.00	8.00	1.00
WTPC800-4N4-V-AA	8	1	3.00	8.00	1.00

DOSSERT® TYPE WTPI-N-V-AA, WTPIA-N-90-V-AA

Welded Internal Offset Terminal

Welded internal terminal standard and at 90° is designed to be corona free for 345 kV and 500 kV service.

Material

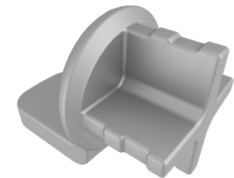
Aluminum Alloy



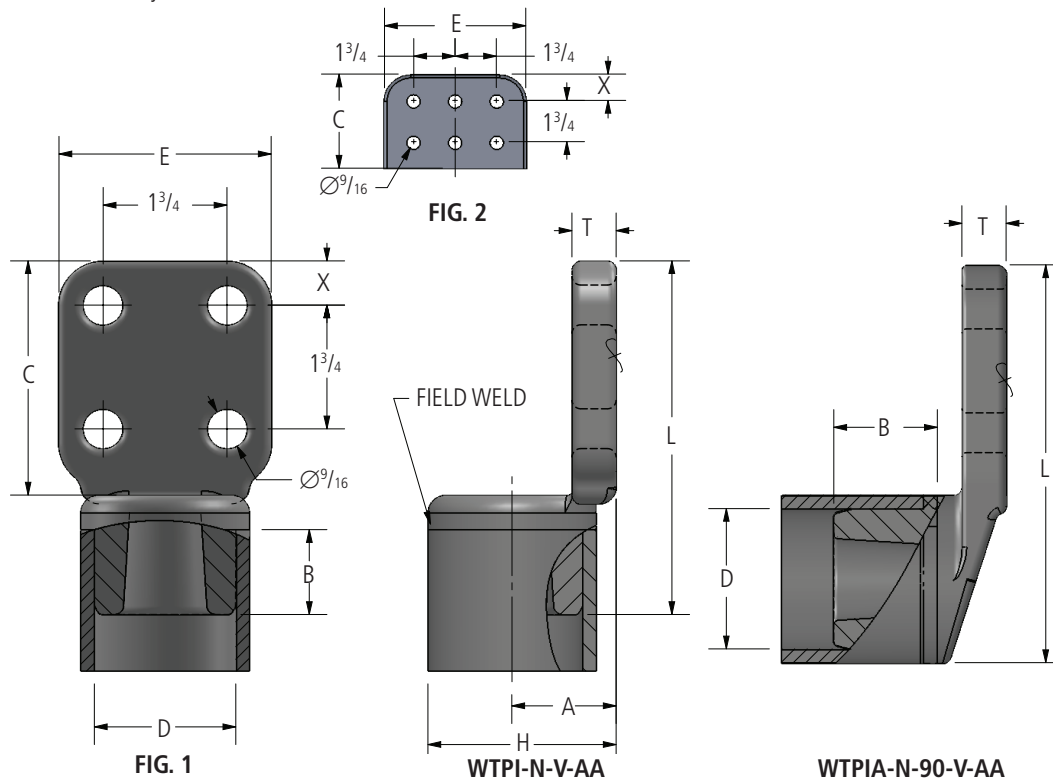
WTPI-N-V-AA



WTPIA-N-90-V-AA



*CROSS DESIGN



continued

DOSSERT® TYPE WTPI-N-V-AA, WTPIA-N-90-V-AA

Welded Internal Offset Terminal

Ordering Information

CATALOG NUMBER		SPS	FIG. NO.	DIMENSIONS IN INCHES								
STANDARD	90 DEGREE			A	B	C	D	E	H	L	T	X
WTPI200-4N-V-AA	WTPIA200-4N-90-V-AA	2	1	1.50	1.25	3.00	2.000	3.00	2.69	4.75	0.63	0.63
WTPI200E-4N4-V-AA	WTPIA200E-4N4-90-V-AA	2	1	1.50	1.94	4.00	1.872	4.00	2.88	6.63	0.63	1.13
WTPI250-4N4-V-AA	WTPIA250-4N4-90-V-AA	2 1/2	1	1.75	1.50	4.00	2.390	4.00	3.19	6.75	0.63	1.13
WTPI400-4N4-V-AA	WTPIA400-4N4-90-V-AA	4	1	2.50	2.25	4.00	3.995	4.00	4.75	7.75	0.75	1.13
WTPI400E-4N4-V-AA	WTPIA400E-4N4-90-V-AA	4 EHPS	1	2.50	2.25	4.00	3.764	4.00	4.75	7.75	0.75	1.13
WTPI500-4N4-V-AA*	WTPIA500-4N4-90-V-AA	5	1	3.00	2.88	4.00	4.984	4.00	5.91	8.25	0.88	1.13
WTPI500-6N4-V-AA	WTPIA500-6N4-90-V-AA*	5	2	3.00	3.00	4.00	4.984	6.00	5.91	9.81	1.13	1.13
WTPI500E-4N4-V-AA	WTPIA500E-4N4-90-V-AA	5 EHPS	1	3.00	2.88	4.00	4.750	4.00	5.91	8.25	0.88	1.13
WTPI600-4N4-V-AA	WTPIA600-4N4-90-V-AA*	6	1	3.50	3.38	4.00	6.000	4.00	6.81	10.88	1.00	1.13
WTPI600E-4N4-V-AA	WTPIA600E-4N4-90-V-AA*	6	1	3.50	3.38	4.00	5.683	4.00	6.81	10.88	1.00	1.13
WTPI600-6N4-V-AA	WTPIA600-6N4-90-V-AA	6	2	3.50	3.38	4.00	6.000	6.00	6.81	10.88	1.13	1.13
WTPI800R-4N4-V-AA	WTPIA800R-4N4-90-V-AA	8 OD	1	4.50	4.00	4.00	7.154	4.00	7.75	10.00	1.00	1.13
WTPI800-4N4-V-AA	WTPIA800-4N4-90-V-AA	8	1	4.50	4.00	4.00	8.000	4.00	7.75	10.00	1.00	1.13

* Cross Design

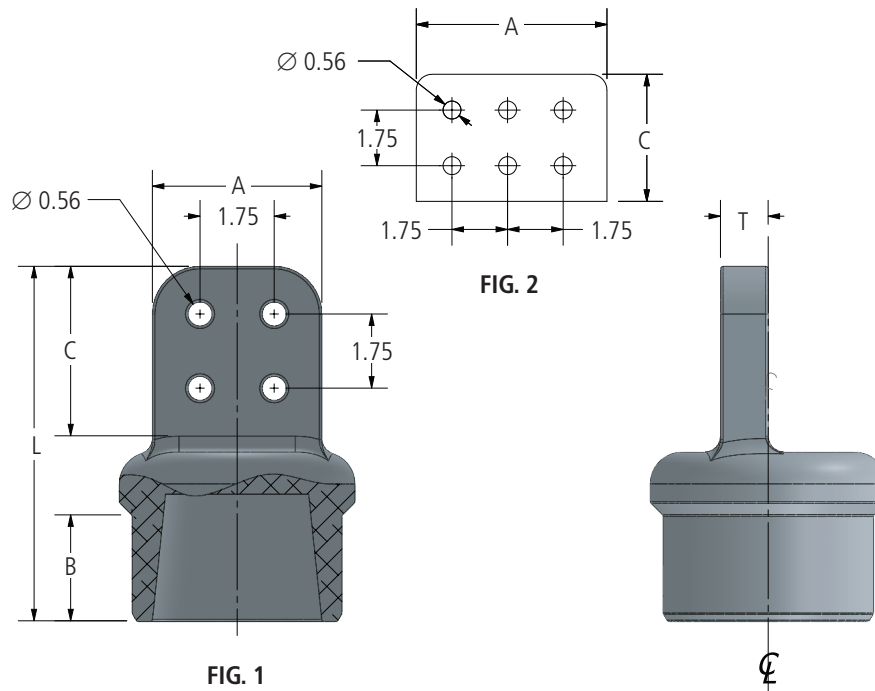
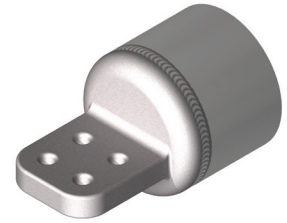
DOSSERT® TYPE WTPIC-N-V-AA, WTPIC-E-N-V-AA

Welded Internal Terminal

Welded internal terminal is designed to be corona free for 345 kV and 500 kV service.

Material

Aluminum Alloy



Ordering Information

CATALOG NUMBER		SPS	FIG. NO.	DIMENSIONS IN INCHES				
SCHEDULE 40	SCHEDULE 80			A	B	C	L	T
WTPIC250-4N4-V-AA	WTPIC250E-4N4-V-AA	2 1/2	1	4.00	1.50	4.00	6.88	0.63
WTPIC300-4N4-V-AA	WTPIC300E-4N4-V-AA	3	1	4.00	2.00	4.00	7.38	0.63
WTPIC300-6N4-V-AA	WTPIC300E-6N4-V-AA	3	2	6.00	2.00	4.00	7.38	0.63
WTPIC350-4N4-V-AA	WTPIC350E-4N4-V-AA	3 1/2	1	4.00	2.00	4.00	7.38	0.75
WTPIC400-4N4-V-AA	WTPIC400E-4N4-V-AA	4	1	4.00	2.31	4.00	7.75	0.75
WTPIC400-6N4-V-AA	WTPIC400E-6N4-V-AA		2	6.00	2.31	4.00	7.75	0.75
WTPIC400-6N6-V-AA	WTPIC400E-6N6-V-AA		2	6.00	2.31	6.00	7.75	0.75
WTPIC500-4N4-V-AA	WTPIC500E-4N4-V-AA	5	1	4.00	3.00	4.00	8.56	1.13
WTPIC500-6N6-V-AA	WTPIC500E-6N6-V-AA		2	6.00	2.50	6.00	8.13	0.88
WTPIC600-4N4-V-AA	WTPIC600E-4N4-V-AA	6	1	4.00	3.50	4.00	9.31	1.00
WTPIC600-6N6-V-AA	WTPIC600E-6N6-V-AA		2	6.00	3.50	6.00	9.31	1.00

DOSSERT® TYPE WXL-V-AA, WXL-HV-AA

Expansion Terminal Connector

Expansion terminals are to be corona free for 345 kV and 500 kV service. Aluminum terminals can be connected to aluminum or copper terminals. Laminated straps provide for 1.75" (44.5 mm) expansion or contraction. Static steel static eliminator springs are supplied for slip fit end of corona ring assembly.



Material

Aluminum Alloy

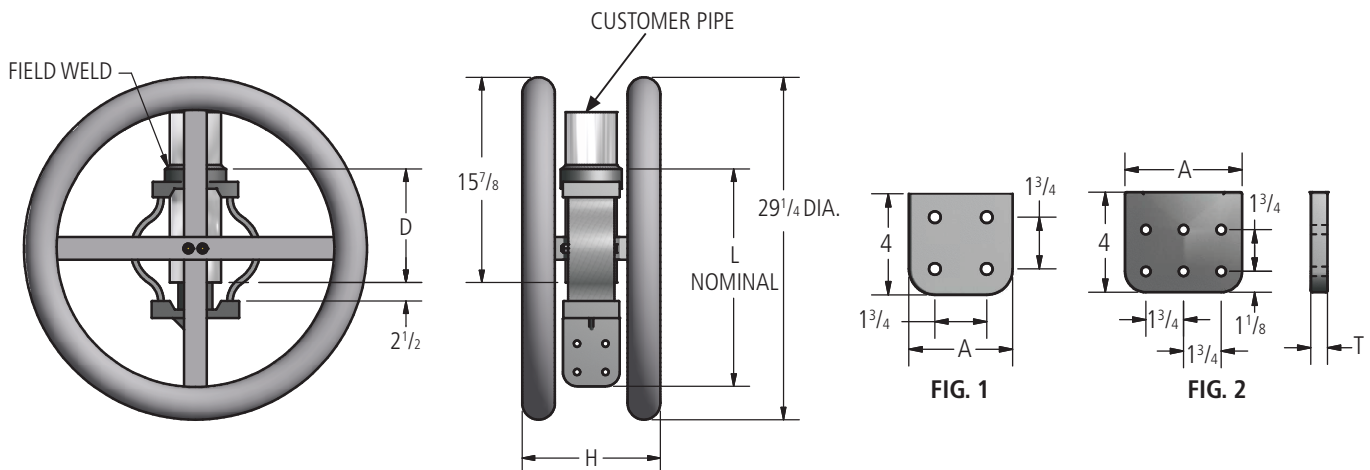
Hardware

Yellow anodized aluminum bolts, nuts, and lockwashers.
Stainless steel bolts, nuts, and lockwashers.

Notes

If hardware shield is required add -CSBV-to catalog
Example: WXL500E-4N4-V-AA-CSBV

For SCH 80 bus pipe, add "E" to catalog number.
Example: For 4 in SCH 80 bus pipe to 4 hole 4 in
NEMA pad order: WXL400E-4N4-V-AA.



Ordering Information

CATALOG NUMBER				SPS	FIG. NO.	DIMENSIONS IN INCHES				
345 KV		500 KV				A	D	H	L	T
SCH 40	SCH 80	SCH 40	SCH 80							
WXL250-4N4-V-AA	WXL250E-4N4-V-AA	WXL250-4N4-HV-AA	WXL250E-4N4-HV-AA	2 1/2	1	4	7 11/16	10 5/8	15 7/8	5/8
WXL300-4N4-V-AA	WXL300E-4N4-V-AA	WXL300-4N4-HV-AA	WXL300E-4N4-HV-AA	3	1	4	8 3/16	11 1/8	17	5/8
WXL350-4N4-V-AA	WXL350E-4N4-V-AA	WXL350-4N4-HV-AA	WXL350E-4N4-HV-AA	3 1/2	1	4	9 3/4	11 5/8	18 5/16	3/4
WXL400-4N4-V-AA	WXL400E-4N4-V-AA	WXL400-4N4-HV-AA	WXL400E-4N4-HV-AA	4	1	4	10	12 1/8	19	3/4
WXL500-4N4-V-AA	WXL500E-4N4-V-AA	WXL500-4N4-HV-AA	WXL500E-4N4-HV-AA	5	1	4	10	13 1/8	19	7/8
WXL500-6N-V-AA	WXL500E-6N-V-AA	WXL500-6N-HV-AA	WXL500E-6N-HV-AA	5	2	5 3/4	10	13 1/8	19	7/8
WXL600-4N4-V-AA	WXL600E-4N4-V-AA	WXL600-4N4-HV-AA	WXL600E-4N4-HV-AA	6	1	4	12	14 1/4	21	1
WXL600-6N4-V-AA	WXL600E-6N4-V-AA	WXL600-6N4-HV-AA	WXL600E-6N4-HV-AA	6	2	5 3/4	12	14 1/4	21	1

DOSSERT® TYPE 34200E-EHV

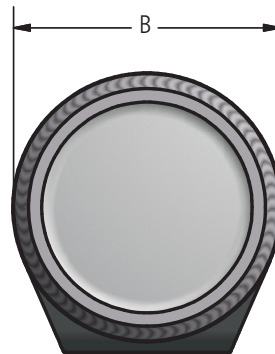
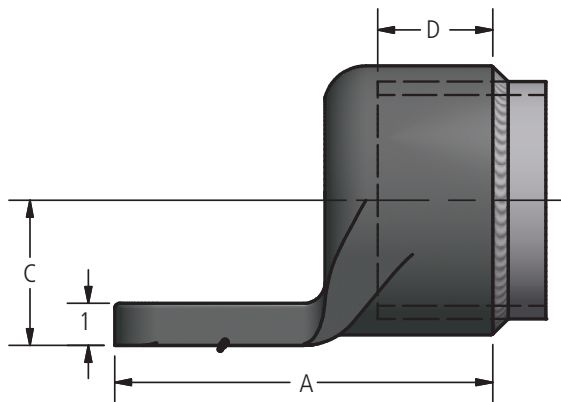
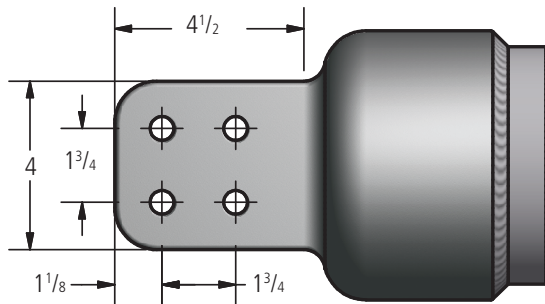
Terminal Connector, Welded, Offset

Terminal is designed to be corona free for 345 kV and 500 kV service when pad covers are used to shield terminal hardware. Pad covers are not supplied with terminal; see catalog 4040 EHV pad covers on page 514. Aluminum terminal can be connected to aluminum or copper terminals.



Material

Aluminum Alloy



Ordering Information

CATALOG NUMBER	SPS & EPHS	DIMENSIONS IN INCHES			
		A	B	C	D
34208EEHV	3	7.62	4.12	2.62	1.75
34209EEHV	3 1/2	8.19	4.69	2.94	2.00
34210EEHV	4	8.44	5.19	3.25	2.25
34212EEHV	5	9.00	6.38	3.44	2.75
34213EEHV	6	9.50	7.56	4.25	3.25

TYPE 34300-EHV Terminal Connector Tube to Flat

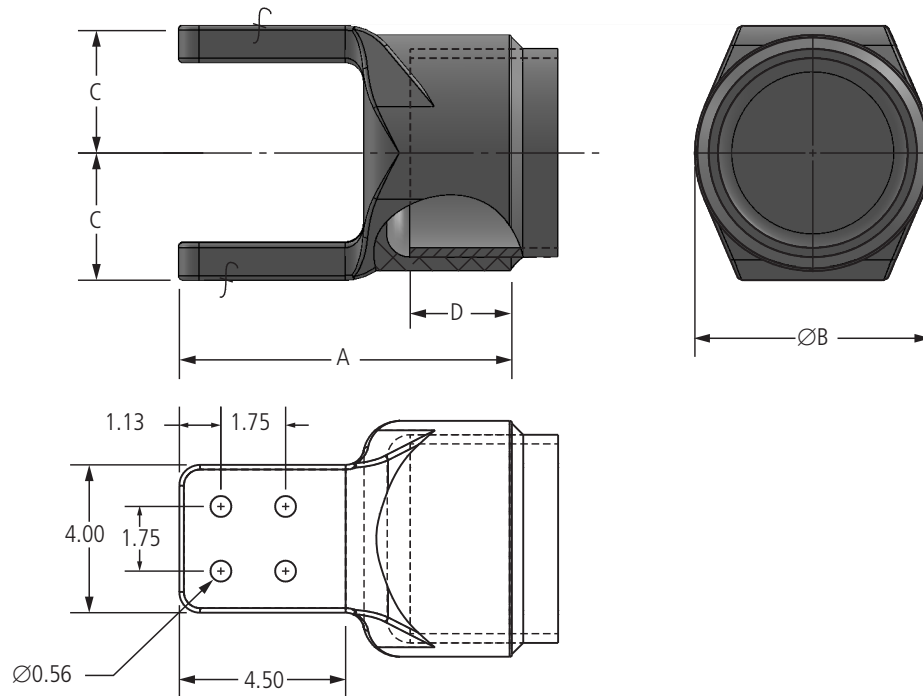
Double terminal is designed to be corona free for 345 kV and 500 kV service when pad covers are used to shield terminal hardware.

Material

Aluminum Alloy

Note

For two Hardware Shields, add "-2CSBV" to catalog number. EX: 34313EEHV-2CSBV



Ordering Information

Catalog Number	Conductor Size SCH40 & SCH80	Dimensions in inches				Nominal Weight in lbs
		A	B	C	D	
34308EEHV	3	7.62	4.12	2.62	1.75	5.20
34309EEHV	3 1/2	8.19	4.69	2.94	2.00	5.90
34310EEHV	4	8.44	5.19	3.25	2.25	6.20
34312EEHV	5	9.00	6.38	3.44	2.75	8.30
34313EEHV	6	9.50	7.56	4.25	3.25	9.50
34314EEHV	8	10.00	9.79	4.00	3.13	18.48

AFL's Dossert® product line offers a wide range of substation accessories in low voltage up to 765 kV applications in bronze or aluminum materials.

DOSSERT® TYPE 33900, 34000

Rope Lay Expansion Terminal

Expansion terminal is designed to be corona free for 500 kV service. Aluminum terminal can be connected to aluminum or copper terminals. Terminal pad conforms to NEMA standards. Rope lay expansion member provides for 1.75" of expansion or contraction. Dimension "B" shown in table includes 2.25", "D" Dimension noted in general information section.

Material

Aluminum Alloy



33900E-EHV



34000E-EHV

34000 SERIES
CENTER FORMED TERMINAL

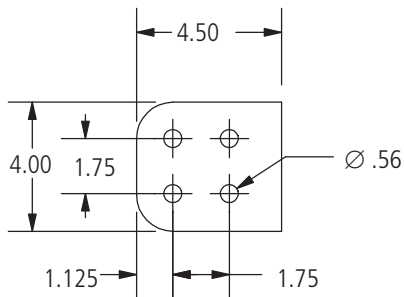
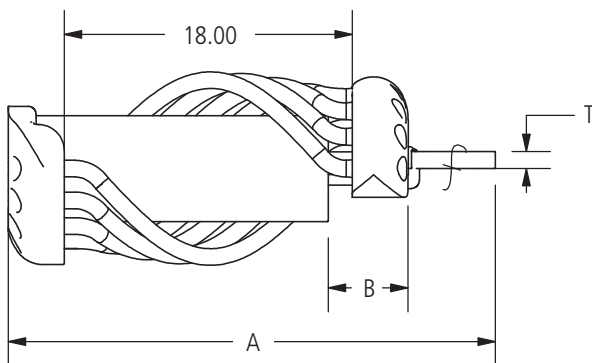


FIG. 1

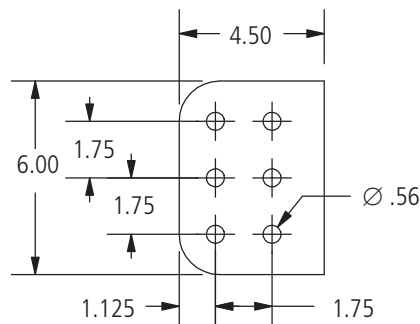


FIG. 2

33900 SERIES
OFFSET TERMINAL

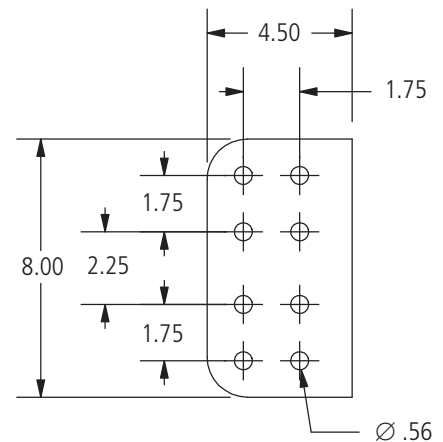
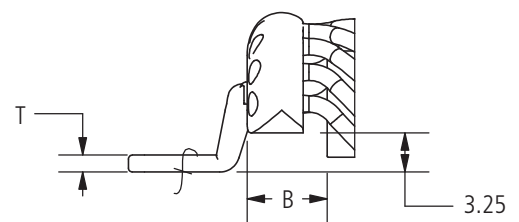


FIG. 3

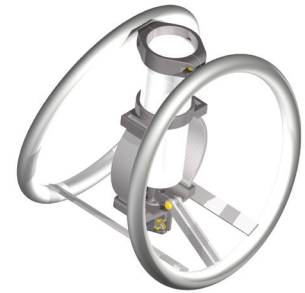
DOSSERT® TYPE 33900, 34000 INLINE

Ordering Information

CATALOG NUMBER		CONDUCTOR SIZE	DIMENSIONS IN INCHES			FIG. NO.	NOMINAL WEIGHT IN LBS	
OFFSET TERMINAL	CENTER FORM TERMINAL		A	B	T		OFFSET TERMINAL	CENTER FORM TERMINAL
-	34008EEHV	3 SPS	30.59	3.75	1.00	1	-	26.1
-	34028EEHV	3 EHPS	30.59	3.75	1.00	1	-	26.0
-	34009EEHV	3 1/2 SPS	31.25	3.75	1.00	1	-	26.6
-	34029EEHV	3 1/2 EHPS	31.25	3.75	1.00	1	-	26.5
33910EEHV	34010EEHV	4 SPS	31.06	3.75	1.00	1	28.2	27.5
	34010GEHV	4 SPS	31.06	3.75	1.00	2	-	28.4
33930EEHV	34030EEHV	4 EHPS	31.06	3.75	1.00	1	28.1	27.4
33912EEHV	34012EEHV	5 SPS	31.06	3.75	1.00	1	26.3	26.6
33912GEHV	34012GEHV	5 SPS	31.06	3.75	1.00	2	26.3	26.6
33932EEHV	34032EEHV	5 EHPS	31.06	3.75	1.00	1	27.9	26.8
	34032GEHV	5 EHPS	31.97	3.75	1.13	2	-	28.5
-	34013EEHV	6 SPS	30.81	4.00	1.00	1	-	36.2
-	34013GEHV	6 SPS	30.81	4.00	1.13	2	-	39.7
-	34033EEHV	6 EHPS	32.09	4.00	1.00	1	-	36.1
-	34033-8N4-EHV	6 EHPS	30.81	4.00	1.00	3	-	37.2

DOSSERT® TYPE 38900-EHV

Expansion stud connector is designed to be corona free for 345 kV and 500 kV service. Laminated straps provide for 1.75" (44.5mm) expansion or contraction. Stainless steel static eliminator springs are supplied for slip fit end of corona ring assembly. Dimension "D" shown in illustration is for installation temperature of 68°F (20°C); for other installation temperatures, see Index/General Info section.

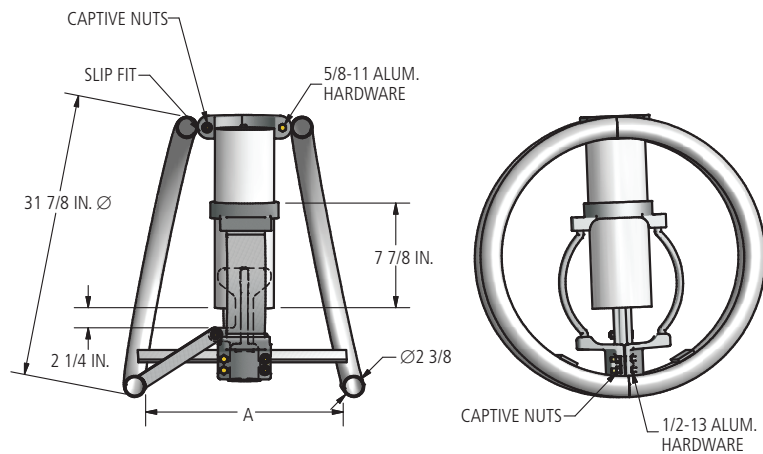


Material

Aluminum Alloy

Hardware

Yellow anodized aluminum nuts, bolts, and lockwashers.



Ordering Information

CONDUCTOR SIZE	STUD SIZE		CATALOG NUMBERS		DIMENSIONS IN INCHES		NOMINAL WEIGHT
	DIAMETER IN INCHES	THREADS PER INCH	17" DIA. DOME	22" DIA. DOME	A		
			17" DIA. DOME	22" DIA. DOME	17" DIA. DOME	22" DIA. DOME	
3 SPS	1 1/8	12	38908.11 EHV	38928.11 EHV	18.62	22.12	36.2
3 1/2 SPS	1 1/8	12	38909.11 EHV	38929.11 EHV	18.62	22.12	37.2
4 SPS	1 1/8	12	38910.11 EHV	38930.11 EHV	18.62	22.12	41.9
3 SPS	1 1/2	12	38908.14 EHV	38928.14 EHV	18.62	22.12	38.2
3 1/2 SPS	1 1/2	12	38909.14 EHV	38929.14 EHV	18.62	22.12	39.2
4 SPS	1 1/2	12	38910.14 EHV	38930.14 EHV	18.62	22.12	43.9
5 SPS	1 1/2	12	38912.14 EHV	38932.14 EHV	18.62	22.12	48.1
4 SPS	2	12	38910.20 EHV	38930.20 EHV	18.62	22.12	46.1
4 EHPS	2	12	38920.20 EHV	38940.20 EHV	18.62	22.12	46.0
5 SPS	2	12	38912.20 EHV	38932.20 EHV	18.62	22.12	50.3
5 EHPS	2	12	38922.20 EHV	38942.20 EHV	18.62	22.12	50.2
6 SPS	2	12	38913.20 EHV	38933.20 EHV	18.62	22.12	55.4
6 EHPS	2	12	38923.20 EHV	38943.20 EHV	18.62	22.12	55.3
4 SPS	2 1/2	12	38910.24 EHV	38930.24 EHV	18.62	22.12	47.2
4 EHPS	2 1/2	12	38920.24 EHV	38940.24 EHV	18.62	22.12	47.1
5 SPS	2 1/2	12	38912.24 EHV	38932.24 EHV	18.62	22.12	51.4
5 EHPS	2 1/2	12	38922.24 EHV	38942.24 EHV	18.62	22.12	51.3
6 SPS	2 1/2	12	38913.24 EHV	38933.24 EHV	18.62	22.12	56.5
6 EHPS	2 1/2	12	38923.24 EHV	38943.24 EHV	18.62	22.12	56.4