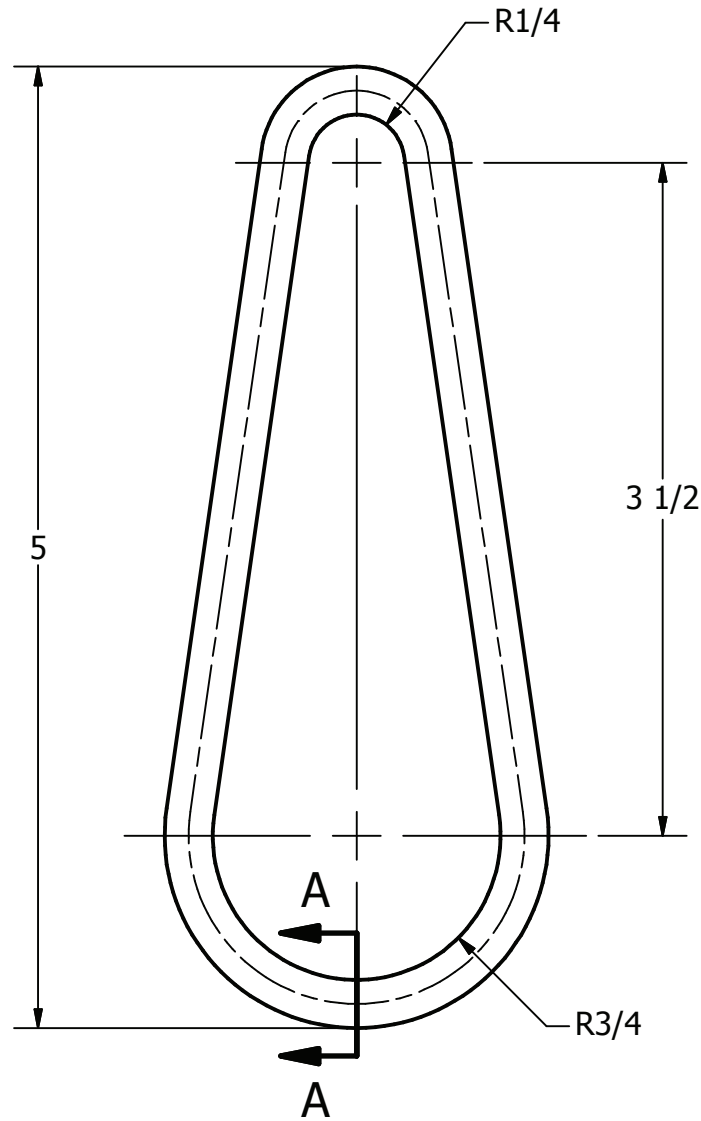


ITEM NO
DWG NO


THIS DRAWING AND ALL INFORMATION ON IT IS THE PROPERTY OF AFL. IT IS CONFIDENTIAL AND IT IS GIVEN TO YOU FOR A LIMITED PURPOSE AND MUST BE RETURNED UPON REQUEST. NEITHER THIS DRAWING OR ANY PART OF IT NOR ANY INFORMATION CONCERNING IT MAY BE COPIED, EXHIBITED, OR FURNISHED TO OTHERS NOR PHOTOGRAPHS TAKEN OF ANY ARTICLE FABRICATED OR ASSEMBLED FROM THE DRAWING WITHOUT THE CONSENT OF AFL.



MATERIAL
STAINLESS STEEL

SECTION A-A

SCALE 1 : 1

LOCATION					CONTRACT NO		CUST / CONTR																										
<table border="1"> <thead> <tr> <th colspan="5">REVISIONS</th> </tr> <tr> <th>REV</th> <th>DESCRIPTION</th> <th>DATE</th> <th>BY</th> <th>APR</th> </tr> </thead> <tbody> <tr> <td> </td> <td> </td> <td> </td> <td> </td> <td> </td> </tr> <tr> <td> </td> <td> </td> <td> </td> <td> </td> <td> </td> </tr> <tr> <td> </td> <td> </td> <td> </td> <td> </td> <td> </td> </tr> </tbody> </table>					REVISIONS					REV	DESCRIPTION	DATE	BY	APR																DRN BY: BH DRN DATE: 10-21-09 CHK BY:			
REVISIONS																																	
REV	DESCRIPTION	DATE	BY	APR																													
HANGER, CLOSED LOOP, SS		REV 0	R25-75-5	1 OF 1																													