

TYPE SCX, S2CX

Copper Stud Connector for Cable

SCX connects one cable to one stud and S2CX connects two cables on one stud. A variable conductor stud connector which takes a wide range of cable sizes in line or in a 90° position. The reversible cap permits optimum clamping for all cable sizes within the assigned ranges. In addition, one flat surface on SCX can be machined to accommodate flat bar conductors. SCX can be furnished upon request in type SCX-N with bolt holes to accommodate NEMA standard bar drilling.

Material

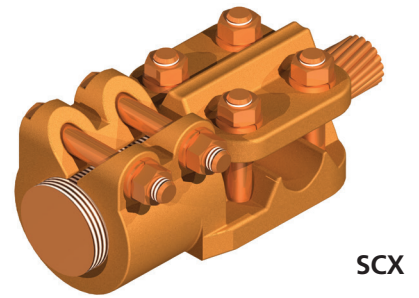
Copper Alloy

Hardware

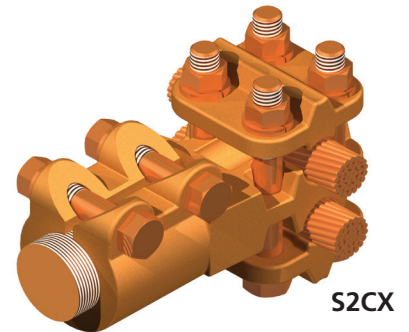
Everdur bolts, nuts and lockwashers

Note

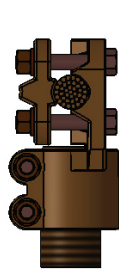
- For a 1" T14 stud, and two 1000 MCM cables order S2CX100-100-T14



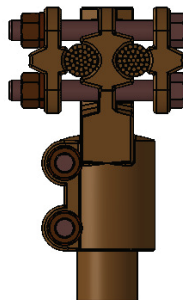
SCX



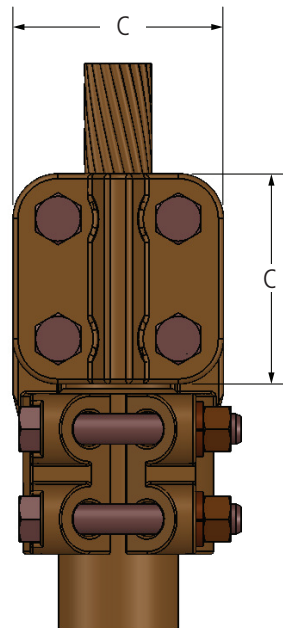
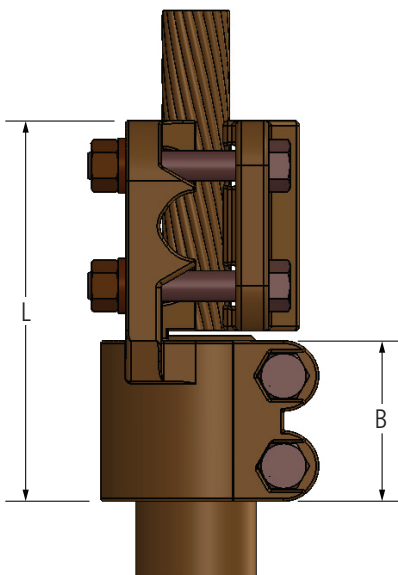
S2CX



SCX



S2CX



continued
→

TYPE SCX, S2CX

Copper Stud Connector for Cable

Ordering Information

Catalog Numbers	STUD DIA.	THREADS PER INCH	CABLE RANGE		SPS RANGE		DIMENSIONS IN INCHES			BOLT SIZE	
			SMALL GROOVE	LARGE GROOVE	SMALL GROOVE	LARGE GROOVE	B	C	L	STUD	TAP
SCX50-21-T13	1/2	13	6 Sol.-1 Stranded	1 Stranded-4/0	-	-	2	2	4 5/8	3/8	3/8
SCX75-21-T16	3/4	16	6 Sol.-1 Stranded	1 Stranded-4/0	-	-	2	2	4 5/8	3/8	3/8
SCX75-50-T16	3/4	16	6 Solid-4/0	4/0-500 MCM	3/8	1/2	2	2 1/4	4 7/8	3/8	5/8
SCX75-100-T16	3/4	16	2 Solid-350 MCM	350 MCM-1000 MCM	3/8	3/4	2	2 1/2	5 1/8	3/8	3/8
SCX100-50-T12	1	12	6 Solid-4/0	4/0-500 MCM	3/8	1/2	2	2 1/4	4 7/8	3/8	3/8
SCX100-50-T14	1	14	6 Solid-4/0	4/0-500 MCM	3/8	1/2	2	2 1/4	4 7/8	3/8	3/8
SCX100-50-T0	1	0	6 Solid-4/0	4/0-500 MCM	3/8	1/2	2	2 1/4	4 7/8	3/8	3/8
SCX100-100-T12	1	12	2 Solid-350 MCM	350 MCM-1000 MCM	3/8	3/4	2 1/2	2 7/8	6 3/8	1/2	1/2
SCX100-100-T14	1	14	2 Solid-350 MCM	350 MCM-1000 MCM	3/8	3/4	2 1/2	2 7/8	6 3/8	1/2	1/2
SCX112-50-T12	1 1/8	12	6 Solid-4/0	4/0-500 MCM	3/8	1/2	2	2 1/4	4 7/8	3/8	3/8
SCX112-100-T12	1 1/8	12	2 Solid-350 MCM	350 MCM-1000 MCM	3/8	3/4	2 3/4	2 7/8	6	1/2	1/2
SCX112-200-T12	1 1/8	12	4/0-795 MCM	795 MCM-2000 MCM	3/8	1 1/4	2 3/4	3 3/8	6 3/4	1/2	1/2
SCX118-200-T0	1 3/16	0	4/0-900 MCM	900 MCM-2000 MCM	3/8	1 1/4	2 3/4	3 3/8	6 5/8	1/2	1/2
SCX125-50-T12	1 1/4	12	6 Solid-4/0	4/0-500 MCM	3/8	1/2	2	2 1/4	4 7/8	3/8	3/8
SCX125-100-T12	1 1/4	12	2 Solid-350 MCM	350 MCM-1000 MCM	3/8	3/4	2 3/4	2 7/8	6 3/8	1/2	1/2
SCX125-200-T12	1 1/4	12	2 Solid-350 MCM	900 MCM-2000 MCM	3/8	1 1/4	2 3/4	3 3/8	6 5/8	1/2	1/2
SCX150-50-T12	1 1/2	12	6 Solid-4/0	4/0-500 MCM	3/8	1/2	2	2 1/4	4 7/8	3/8	3/8
SCX150-100-T12	1 1/2	12	2 Solid-350 MCM	350 MCM-1000 MCM	3/8	3/4	2 3/4	2 7/8	6 3/8	1/2	1/2
SCX150-200-T12	1 1/2	12	4/0-900 MCM	900 MCM-2000 MCM	3/8	1 1/4	2 3/4	3 3/8	6 3/4	1/2	1/2
SCX175-50-T12	1 3/4	12	6 Solid-4/0	4/0-500 MCM	3/8	1/2	2	2 1/4	4 5/8	3/8	3/8
SCX175-100-T12	1 3/4	12	2 Solid-350 MCM	350 MCM-1000 MCM	3/8	3/4	2 3/4	2 7/8	6 1/2	1/2	1/2
SCX175-200-T12	1 3/4	12	4/0-900 MCM	900 MCM-2000 MCM	3/8	1 1/4	2 3/4	3 3/8	6 5/8	1/2	1/2
SCX200-50-T12	2	12	6 Solid-4/0	4/0-500 MCM	3/8	1/2	2 1/4	2 1/4	5 1/4	3/8	3/8
SCX200-100-T12	2	12	2 Solid-350 MCM	350 MCM-1000 MCM	3/8	3/4	2 3/4	2 7/8	6	1/2	1/2
SCX200-200-T12	2	12	4/0-900 MCM	900 MCM-2000 MCM	3/8	1 1/4	2 3/4	3 3/8	6 5/8	1/2	1/2
SCX225-50-T12	2 1/4	12	6 Solid-4/0	4/0-500 MCM	3/8	1/2	2	2 1/4	4 5/8	3/8	3/8
SCX225-100-T12	2 1/4	12	2 Solid-350 MCM	350 MCM-1000 MCM	3/8	3/4	2 3/4	2 7/8	6	1/2	1/2
SCX225-200-T12	2 1/4	12	4/0-900 MCM	900 MCM-2000 MCM	3/8	1 1/4	2 3/4	3 3/8	6 5/8	1/2	1/2
SCX250-50-T12	2 1/2	12	6 Solid-4/0	4/0-500 MCM	3/8	1/2	2	2 1/4	4 5/8	3/8	3/8
SCX250-100-T12	2 1/2	12	2 Solid-350 MCM	350 MCM-1000 MCM	3/8	3/4	2 3/4	2 7/8	6	1/2	1/2
SCX250-200-T12	2 1/2	12	4/0-900 MCM	900 MCM-2000 MCM	3/8	1 1/4	2 3/4	3 3/8	6 5/8	1/2	1/2
SCX300-50-T12	3	12	6 Solid-4/0	4/0-500 MCM	3/8	1/2	2	2 1/4	4 5/8	5/8	3/8
SCX300-100-T12	3	12	2 Solid-350 MCM	350 MCM-1000 MCM	3/8	3/4	2 3/4	2 7/8	6	5/8	1/2
SCX300-200-T12	3	12	4/0-900 MCM	900 MCM-2000 MCM	3/8	1 1/4	2 3/4	3 3/8	6 5/8	5/8	1/2