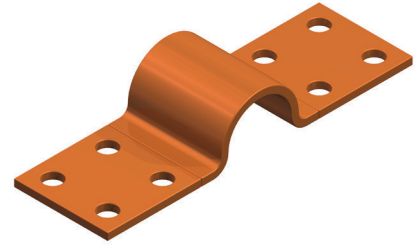


### DOSSERT®

#### TYPE LX

#### Copper Flexible Connector For Flat to Flat

Laminated of pure copper, this flexible connector permits expansion and contraction due to thermal changes. Bonded ends assure uniform contact surfaces. Variations other than shown can be readily supplied.

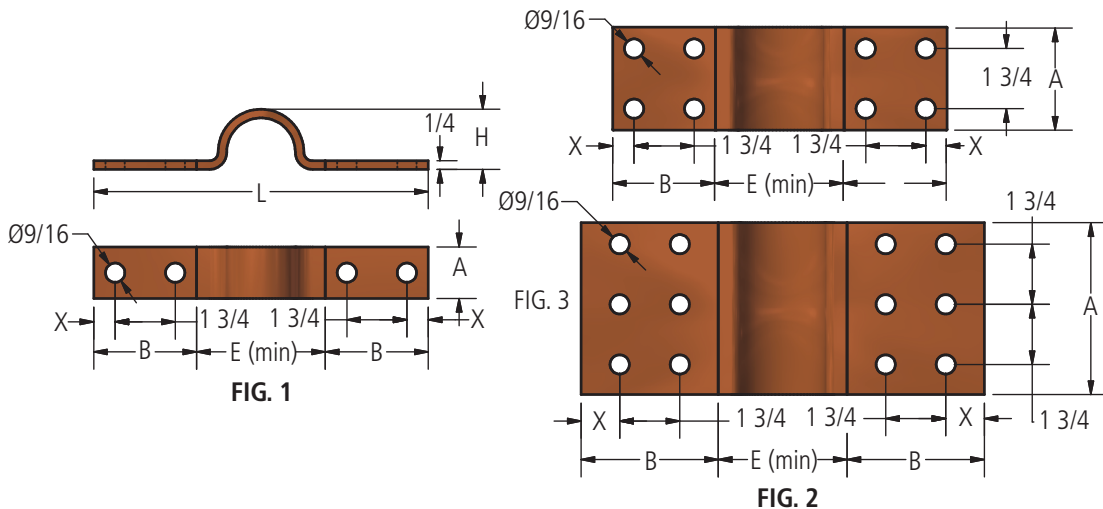


#### Material

Copper

#### Note

- Braid may be custom made for any configuration of length, pad size or hole diameter.
- For tin plated contact pads add suffix "-SN" to end of catalog number. Ex: LX200-SN
- For undrilled contact pads add suffix "-U" to end of catalog number. Ex: LX200-U



#### Ordering Information

CATALOG NUMBER	BAR WIDTH	INDOOR AMPERE RATING*	FIG. NO.	DIMENSIONS IN INCHES					
				A	B	E	H	L	X
LX100	1	366	1	1	3	2 1/4	1	8	5/8
LX150	1 1/2	500	1	1 1/2	3	2 1/2	1 1/2	8 1/2	5/8
LX200	2	647	1	2	3	3 1/2	1 1/2	9 1/2	5/8
LX250	2 1/2	810	1	2 1/2	3	3 3/4	1 3/4	9 3/4	5/8
LX300	3	973	2	3	3	4	1 3/4	10	5/8
LX400	4	1220	2	4	4	4	2	12	1 1/8
LX500	5	1460	3	5	4	4 1/4	2	12 1/4	1 1/8
LX600	6	1660	3	6	4	4 1/4	2 1/4	12 1/4	1 1/8

\*Note: A.C. Ampere ratings in still but confined air for maximum temperature rise 30°C above 40°C ambient with major surfaces of braid in horizontal position.

Bronze Braided or Laminated Expansion

## DOSSERT®

### TYPE XTP

#### Copper Flexible Connector For Tubular Bus To Flat

A clamp type connector with a flexible copper laminated member for joining the tubular clamp to a flat bus, plate or stud. Permits free axial movement of the conductors.

#### Material

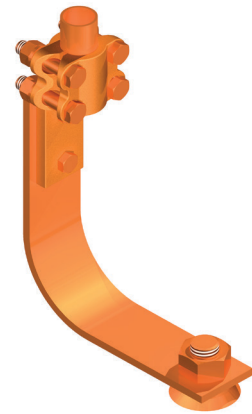
Copper Alloy

#### Lamination Material

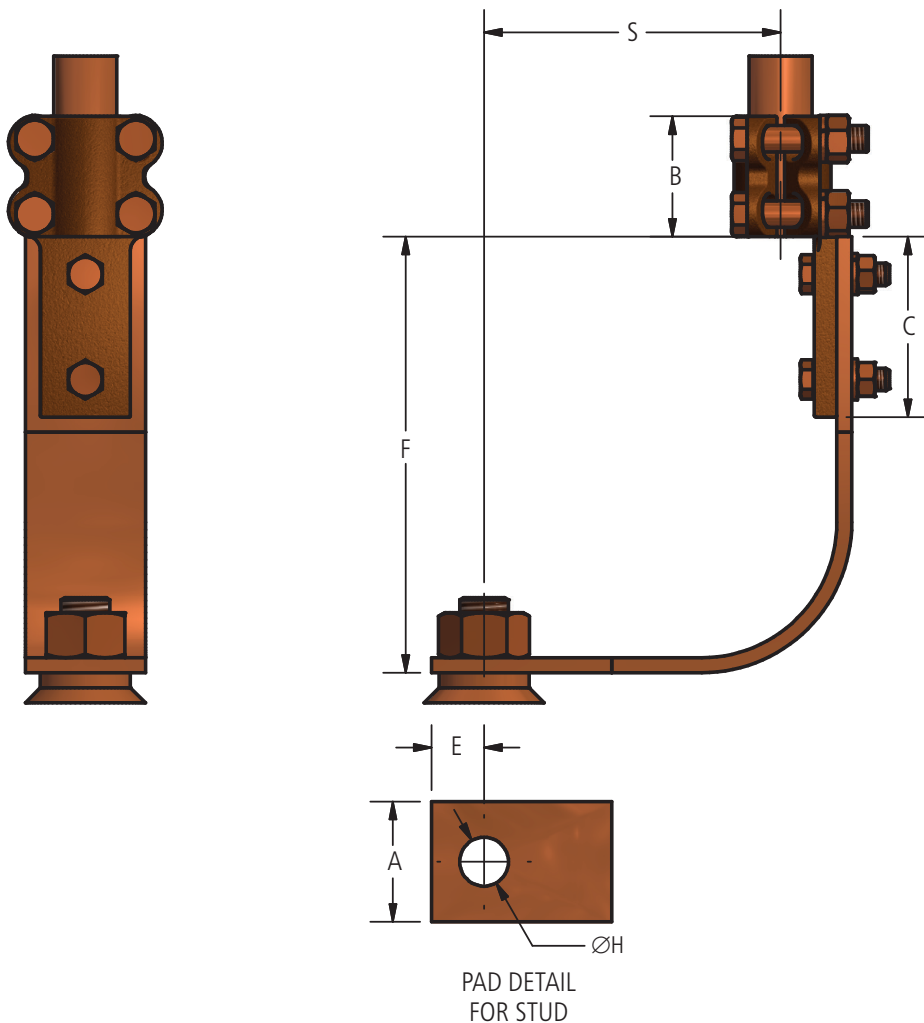
Copper

#### Hardware

Everdur bolts, nuts, lockwashers, and flat washers



Bronze Braided or Laminated Expansion





# Bronze Braided or Laminated Expansion

## DOSSERT®

### TYPE XTP

Copper Flexible Connector For Tubular Bus To Flat

#### Ordering Information

CATALOG NUMBER	SPS	STUD DIAMETER	NUMBER OF LAMINATED GROUPS	DIMENSIONS IN INCHES							BOLT SIZE
				A	B	C	E	F	H	S	
XTP25-63	1/3	5/8	1	1 1/4	2	1 7/8	11/16	5 1/2	11/16	4 1/2	3/8
XTP38-63	3/7	5/8	1	1 1/4	2	1 7/8	11/16	5 3/4	11/16	4 3/4	3/8
XTP50-63	1/1	5/8	1	1 1/2	2	2 1/4	11/16	6	11/16	5	3/8
XTP75-63	3/3	5/8	1	1 3/4	2	2 1/4	11/16	6 1/4	11/16	5 1/4	3/8
XTP50-75	1/1	3/4	1	1 1/2	2	2 1/4	7/8	6 1/4	13/16	5 1/4	3/8
XTP75-75	3/3	3/4	1	1 3/4	2	2 1/4	7/8	7	13/16	6	3/8
XTP100-75	1	3/4	1	1 3/4	2 1/8	2 1/4	7/8	8 1/4	13/16	6 3/4	3/8
XTP125-75	1 1/4	3/4	2	2 1/4	2 1/2	3	7/8	8 1/2	13/16	7 1/4	1/2
XTP75-88	3/3	7/8	1	1 3/4	2	2 1/4	1	7	15/16	6	3/8
XTP100-88	1	7/8	1	1 3/4	2 1/8	2 1/4	1	8 1/4	15/16	6 3/4	3/8
XTP125-88	1 1/4	7/8	2	2 1/4	2 1/2	3	1	8 1/2	15/16	7 1/4	1/2
XTP150-88	1 1/2	7/8	2	2 1/4	2 5/8	3 1/4	1	9 1/4	15/16	8	1/2
XTP75-100	3/3	1	1	1 3/4	2	2 1/4	1 1/16	7	1 1/16	6	3/8
XTP100-100	1	1	1	1 3/4	2 1/8	2 1/4	1 1/16	8 1/4	1 1/16	6 3/4	3/8
XTP125-100	1 1/4	1	2	2 1/4	2 1/2	3	1 1/16	8 1/2	1 1/16	7 1/4	1/2
XTP150-100	1 1/2	1	2	2 1/4	2 5/8	3 1/4	1 1/16	9 1/4	1 1/16	8	1/2
XTP75-112	3/3	1 1/8	1	2	2	2 1/4	1 3/16	7	1 3/16	6	3/8
XTP100-112	1	1 1/8	1	2	2 1/8	2 1/4	1 3/16	8 1/4	1 3/16	6 3/4	3/8
XTP125-112	1 1/4	1 1/8	2	2 1/4	2 1/2	3	1 3/16	8 1/2	1 3/16	7 1/4	1/2
XTP150-112	1 1/2	1 1/8	2	2 1/2	2 5/8	3 1/4	1 5/16	9 1/4	1 3/16	8	1/2
XTP100-125	1	1 1/4	1	2 1/4	2 1/8	2 1/4	1 5/16	8 1/4	1 5/16	6 3/4	3/8
XTP125-125	1 1/4	1 1/4	2	2 1/4	2 1/2	3	1 5/16	8 1/2	1 5/16	7 1/4	1/2
XTP150-125	1 1/2	1 1/4	2	2 1/2	2 5/8	3 1/4	1 7/16	9 1/4	1 5/16	8	1/2
XTP200-125	2	1 1/4	2	2 3/4	2 3/4	3 1/4	1 7/16	10	1 5/16	8 3/4	1/2
XTP100-150	1	1 1/2	1	2 1/2	2 1/8	2 1/4	1 7/16	8 1/4	1 9/16	6 3/4	3/8
XTP125-150	1 1/4	1 1/2	2	2 1/2	2 1/2	3	1 7/16	8 1/2	1 9/16	7 1/4	1/2
XTP150-150	1 1/2	1 1/2	2	2 3/4	2 5/8	3 1/4	1 7/16	9 1/4	1 9/16	8	1/2
XTP200-150	2	1 1/2	2	3 1/4	2 3/4	3 1/4	1 9/16	10	1 9/16	8 3/4	1/2

Bronze Braided or Laminated Expansion

### DOSSERT®

#### TYPE XTS

#### Copper Flexible Connector For Tubular Bus To Flat

A clamp type connector terminating a tubular bus to a flat bus, plate or stud through a flexible copper strap. The flexible copper strap absorbs operating vibrations and permits free axial movement of the tubular bus.

#### Material

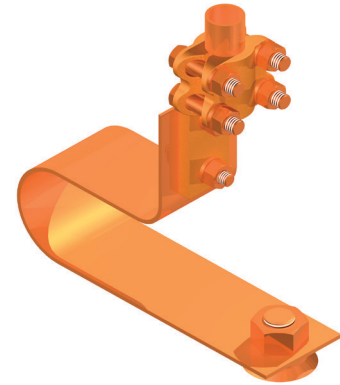
Copper Alloy

#### Lamination Material

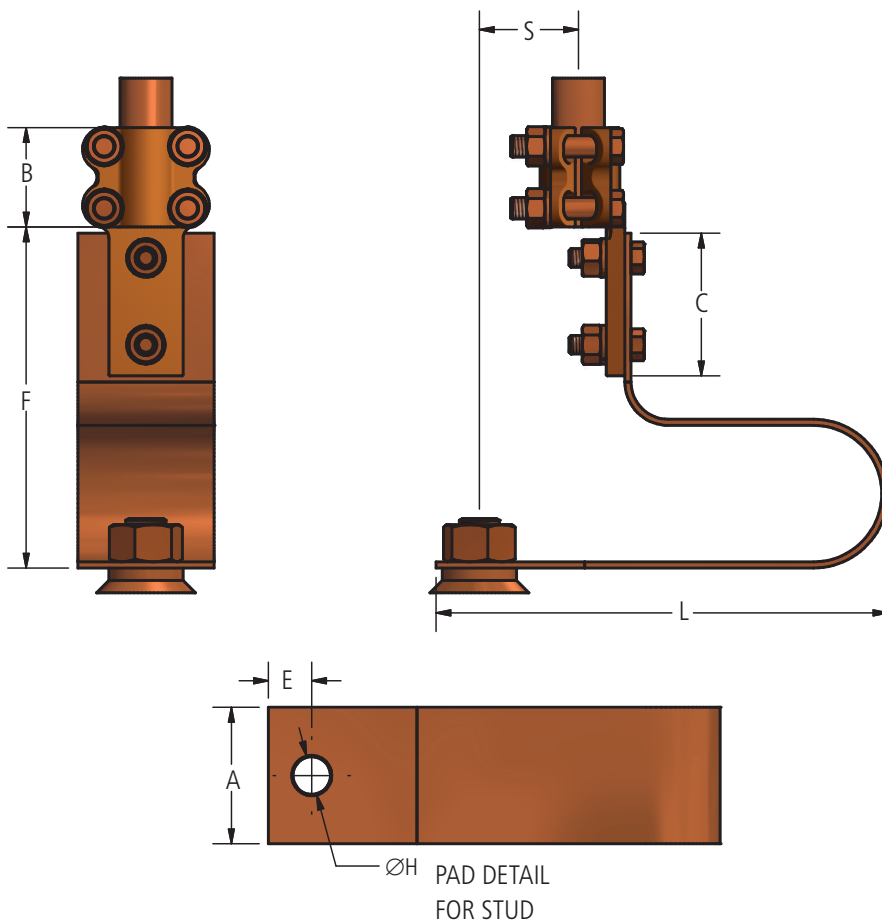
Copper Alloy

#### Hardware

Everdur bolts, nuts and lockwashers



Bronze Braided or Laminated Expansion





# Bronze Braided or Laminated Expansion

## DOSSERT®

### TYPE XTS

Copper Flexible Connector For Tubular Bus To Flat

#### Ordering Information

CATALOG NUMBER	SPS	STUD DIAMETER	NUMBER OF STRAPS	DIMENSIONS IN INCHES								BOLT SIZE
				A	B	C	E	F	H	L	S	
XTS25-63	1/4	5/8	1	1 1/2	2	1 7/8	11/16	6 1/2	11/16	6 5/8	1 3/8	3/8
XTS38-63	3/8	5/8	1	2	2	1 7/8	11/16	6 1/2	11/16	6 3/4	1 3/8	3/8
XTS50-63	1/2	5/8	1	2 1/4	2	2 1/4	11/16	7	11/16	7 3/8	1 1/2	3/8
XTS75-63	3/4	5/8	1	2 3/4	2	2 1/4	11/16	7	11/16	7 5/8	1 3/8	3/8
XTS50-75	1/2	3/4	1	2 1/4	2	2 1/4	7/8	7	13/16	7 5/8	1 1/2	3/8
XTS75-75	3/4	3/4	1	4	2	2 1/4	7/8	7	13/16	8 1/4	1 3/8	3/8
XTS100-75	1	3/4	1	3	2 1/8	2 1/4	7/8	7	13/16	8 3/4	1 1/4	3/8
XTS125-75	1 1/4	3/4	2	2 1/2	2 1/2	3	7/8	7	13/16	9 1/4	1 1/16	1/2
XTS75-88	3/4	7/8	1	2 3/4	2	2 1/4	1	7 3/8	15/16	8 1/4	1 3/8	3/8
XTS100-88	1	7/8	1	3	2 1/8	2 1/4	1	7 3/8	15/16	8 3/4	1 1/4	3/8
XTS125-88	1 1/4	7/8	2	2 1/2	2 1/2	3	1	7 3/8	15/16	9 1/4	1 1/16	1/2
XTS150-88	1 1/2	7/8	2	3	2 5/8	3 1/4	1	7 3/8	15/16	9 3/4	15/16	1/2
XTS75-100	3/4	1	1	2 3/4	2	2 1/4	1 1/16	7 5/8	1 1/16	8 1/4	1 3/8	3/8
XTS100-100	1	1	1	3	2 1/8	2 1/4	1 1/16	7 5/8	1 1/16	8 3/4	1 1/4	3/8
XTS125-100	1 1/4	1	2	2 1/2	2 1/2	3	1 1/16	7 5/8	1 1/16	9 1/4	1 1/16	1/2
XTS150-100	1 1/2	1	2	3	2 5/8	3 1/4	1 1/16	7 5/8	1 1/16	9 3/4	15/16	1/2
XTS75-112	3/4	1 1/8	1	2 3/4	2	2 1/4	1 3/16	7 7/8	1 3/16	8 1/4	1 3/8	3/8
XTS100-112	1	1 1/8	1	3	2 1/8	2 1/4	1 3/16	7 7/8	1 3/16	8 3/4	1 1/4	3/8
XTS125-112	1 1/4	1 1/8	2	2 1/2	2 1/2	3	1 3/16	7 7/8	1 3/16	9 1/4	1 1/16	1/2
XTS150-112	1 1/2	1 1/8	2	3	2 5/8	3 1/4	1 5/16	7 7/8	1 3/16	9 3/4	15/16	1/2
XTS100-125	1	1 1/4	1	3	2 1/8	2 1/4	1 5/16	8 1/8	1 5/16	8 3/4	1 1/4	3/8
XTS125-125	1 1/4	1 1/4	2	2 1/2	2 1/2	3	1 5/16	8 1/8	1 5/16	9 1/4	1 1/16	1/2
XTS150-125	1 1/2	1 1/4	2	3	2 5/8	3 1/4	1 7/16	8 1/8	1 5/16	9 3/4	15/16	1/2
XTS200-125	2	1 1/4	2	3 1/2	2 3/4	3 1/4	1 7/16	8 1/8	1 5/16	10 1/4	3/4	1/2
XTS100-150	1	1 1/2	1	3	2 1/8	2 1/4	1 7/16	8 3/8	1 9/16	8 3/4	1 1/4	3/8
XTS125-150	1 1/4	1 1/2	2	2 1/2	2 1/2	3	1 7/16	8 3/8	1 9/16	9 1/4	1 1/16	1/2
XTS150-150	1 1/2	1 1/2	2	3	2 5/8	3 1/4	1 7/16	8 3/8	1 9/16	9 3/4	15/16	1/2
XTS200-150	2	1 1/2	2	3 1/2	2 3/4	3 1/4	1 9/16	8 3/8	1 9/16	10 1/4	3/4	1/2

Bronze Braided or Laminated Expansion

### DOSSERT®

#### TYPE XTSS, XTSS-N

##### Copper Flexible Connector For Tubular Bus To Flat

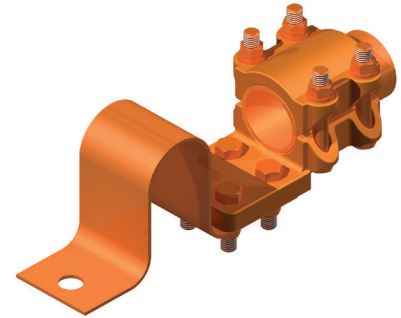
XTSS is used where stud and the tube positioning will not permit any extensive offset. The semi-flexible loop of copper strapping allows for movement caused by the expansion and contraction of conductor members.

#### Material

Copper Alloy

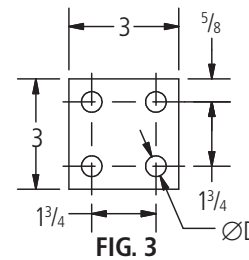
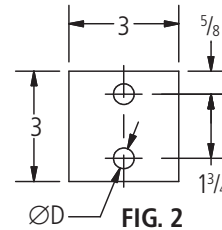
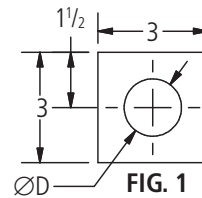
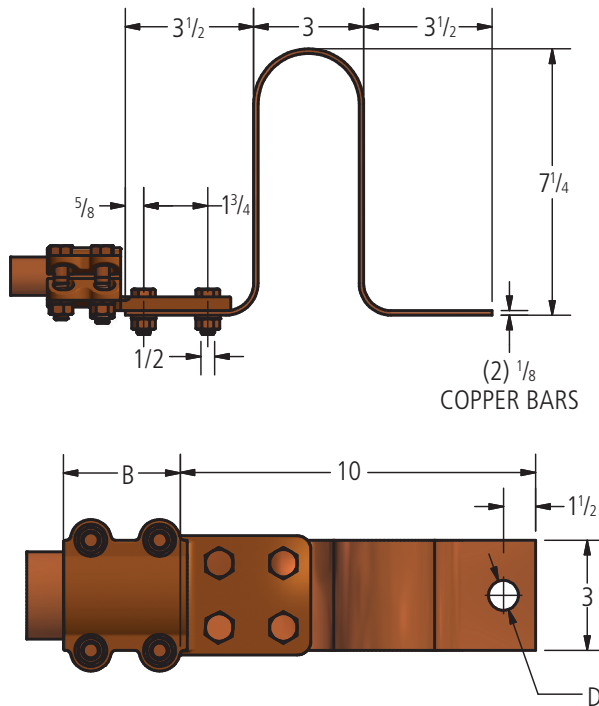
#### Hardware

Everdur nuts, bolts and lock washers.



#### Lamination Material

Copper



#### Ordering Information

CATALOG NUMBER	SPS	FIG. NO.	DIMENSIONS IN INCHES		BOLT SIZE
			B	D	
XTSS100-150	1	1	2	1 9/16	3/8
XTSS100-2N	1	2	2	9/16	3/8
XTSS100-4N	1	3	2	9/16	3/8
XTSS125-150	1 1/4	1	2 5/8	1 9/16	1/2
XTSS125-2N	1 1/4	2	2 5/8	9/16	1/2
XTSS125-4N	1 1/4	3	2 5/8	9/16	1/2
XTSS150-150	1 1/2	1	2 5/8	1 9/16	1/2
XTSS150-175	1 1/2	1	2 5/8	1 13/16	1/2
XTSS150-2N	1 1/2	2	2 5/8	9/16	1/2
XTSS150-4N	1 1/2	3	2 5/8	9/16	1/2
XTSS200-150	2	1	2 3/4	1 9/16	1/2
XTSS200-2N	2	2	2 3/4	9/16	1/2
XTSS200-4N	2	3	2 3/4	9/16	1/2

Bronze Braided or Laminated Expansion