

TYPE 34300-EHV Terminal Connector Tube to Flat

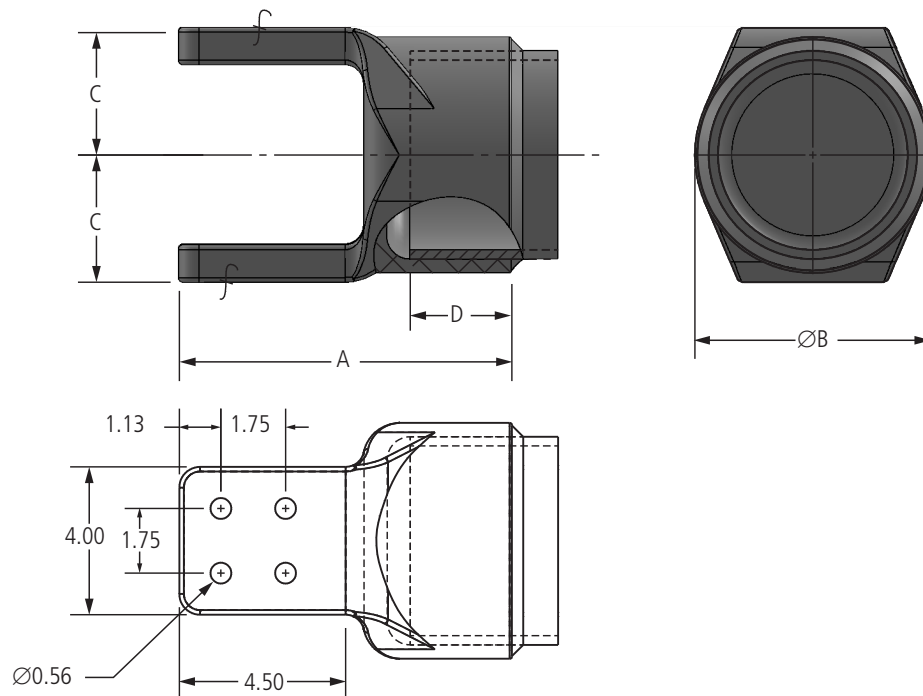
Double terminal is designed to be corona free for 345 kV and 500 kV service when pad covers are used to shield terminal hardware.

Material

Aluminum Alloy

Note

For two Hardware Shields, add "-2CSBV" to catalog number. EX: 34313EEHV-2CSBV



Ordering Information

Catalog Number	Conductor Size SCH40 & SCH80	Dimensions in inches				Nominal Weight in lbs
		A	B	C	D	
34308EEHV	3	7.62	4.12	2.62	1.75	5.20
34309EEHV	3 1/2	8.19	4.69	2.94	2.00	5.90
34310EEHV	4	8.44	5.19	3.25	2.25	6.20
34312EEHV	5	9.00	6.38	3.44	2.75	8.30
34313EEHV	6	9.50	7.56	4.25	3.25	9.50
34314EEHV	8	10.00	9.79	4.00	3.13	18.48

AFL's Dossert® product line offers a wide range of substation accessories in low voltage up to 765 kV applications in bronze or aluminum materials.