

TYPE UPT-AA

U-bolt Pipe to Cable Tee Connector

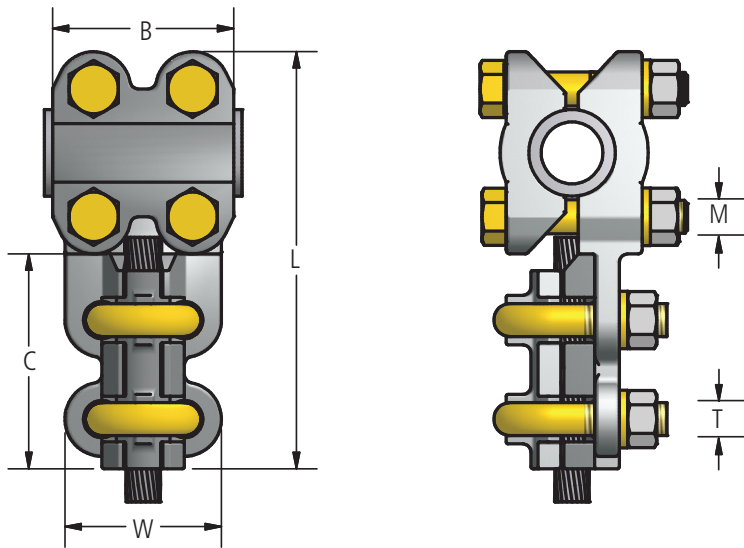
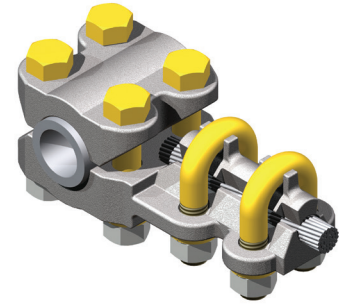
Tee connector is designed for connecting stranded aluminum or ACSR conductor to tubular bus. Four clamp bolts on each conductor insures positive electrical contact.

Material

Aluminum Alloy

Hardware

Yellow anodized aluminum bolts, U-bolt, nuts, and lockwashers.



Ordering Information

Catalog Number	SPS	AAC Cable Range		Dimensions in Inches					
		MIN	MAX	B	C	L	M	T	W
UPT50-13-AA	1/2	6STR	2/0STR	2 1/2	3	5 3/4	1/2	1/2	2 1/8
UPT50-21-AA	1/2	1STR	4/0STR	2 1/2	3	5 3/4	1/2	1/2	2 7/32
UPT50-30-AA	1/2	1/0STR	300MCM	2 1/2	3 1/4	6	1/2	1/2	2 5/16
UPT75-13-AA	3/4	6STR	2/0STR	2 3/4	3	6	1/2	1/2	2 1/8
UPT75-21-AA	3/4	1STR	4/0STR	2 3/4	3	6	1/2	1/2	2 7/32
UPT75-30-AA	3/4	1/0STR	300MCM	2 3/4	3 1/4	6 1/4	1/2	1/2	2 5/16
UPT75-50-AA	3/4	300MCM	500MCM	2 3/4	3 1/4	6 1/4	1/2	1/2	2 1/2
UPT100-13-AA	1	6STR	2/0STR	2 3/4	3	6 1/4	1/2	1/2	2 1/8
UPT100-21-AA	1	1STR	4/0STR	2 3/4	3	6 1/4	1/2	1/2	2 7/32
UPT100-30-AA	1	1/0STR	300MCM	2 3/4	3 1/4	6 1/2	1/2	1/2	2 5/16
UPT100-50-AA	1	300MCM	500MCM	2 3/4	3 1/4	6 1/2	1/2	1/2	2 1/2
UPT100-90-AA	1	500MCM	900MCM	2 3/4	3 1/2	6 3/4	1/2	1/2	2 13/16
UPT125-13-AA	1 1/4	6STR	2/0STR	3	3	6 5/8	1/2	1/2	2 1/8

AFL's Dossert® product line offers a wide range of substation accessories in low voltage up to 765 kV applications in bronze or aluminum materials.

continued
→

TYPE UPT-AA

U-bolt Pipe to Cable Tee Connector

Ordering Information

Catalog Number	SPS	AAC Cable Range		Dimensions in Inches					
		MIN	MAX	B	C	L	M	T	W
UPT125-21-AA	1 1/4	1STR	4/0STR	3	3	6 5/8	1/2	1/2	2 7/32
UPT125-30-AA	1 1/4	1/0STR	300MCM	3	3 1/4	6 7/8	1/2	1/2	2 5/16
UPT125-50-AA	1 1/4	300MCM	500MCM	3	3 1/4	6 7/8	1/2	1/2	2 1/2
UPT125-90-AA	1 1/4	500MCM	900MCM	3	3 1/2	7 1/8	1/2	1/2	2 13/16
UPT125-100-AA	1 1/4	750MCM	1000MCM	3	3 1/2	7 1/8	1/2	1/2	2 27/32
UPT150-13-AA	1 1/2	6STR	2/0STR	3	3	6 7/8	1/2	1/2	2 7/32
UPT150-21-AA	1 1/2	1STR	4/0STR	3	3	6 7/8	1/2	1/2	2 7/32
UPT150-30-AA	1 1/2	1/0STR	300MCM	3	3 1/4	7 1/8	1/2	1/2	2 5/16
UPT150-50-AA	1 1/2	300MCM	500MCM	3	3 1/4	7 1/8	1/2	1/2	2 1/2
UPT150-90-AA	1 1/2	500MCM	900MCM	3	3 1/2	7 3/8	1/2	1/2	2 13/16
UPT150-100-AA	1 1/2	800MCM	1000MCM	3	3 1/2	7 3/8	1/2	1/2	2 27/32
UPT150-150-AA	1 1/2	1000MCM	1500MCM	3	4 1/2	8 3/8	1/2	5/8	3 1/4
UPT150-200-AA	1 1/2	1500MCM	2000MCM	3	4 1/2	8 3/8	1/2	5/8	3 3/4
UPT200-21-AA	2	1STR	4/0STR	3 1/4	3	7 3/8	1/2	1/2	2 7/32
UPT200-30-AA	2	1/0STR	300MCM	3 1/4	3 1/4	7 5/8	1/2	1/2	2 5/16
UPT200-50-AA	2	300MCM	500MCM	3 1/4	3 1/4	7 5/8	1/2	1/2	2 1/2
UPT200-90-AA	2	500MCM	900MCM	3 1/4	3 1/2	7 7/8	1/2	1/2	2 13/16
UPT200-100-AA	2	750MCM	1000MCM	3 1/4	3 1/2	7 7/8	1/2	1/2	2 27/32
UPT200-150-AA	2	1000MCM	1500MCM	3 1/4	4 1/2	8 7/8	1/2	5/8	3 1/4
UPT200-200-AA	2	1500MCM	2000MCM	3 1/4	4 1/2	8 7/8	1/2	5/8	3 3/4
UPT250-30-AA	2 1/2	1/0STR	300MCM	3 1/4	3 1/4	8 1/8	1/2	1/2	2 5/16
UPT250-50-AA	2 1/2	300MCM	500MCM	3 1/4	3 1/4	8 1/8	1/2	1/2	2 1/2
UPT250-90-AA	2 1/2	500MCM	900MCM	3 1/4	3 1/2	8 3/8	1/2	1/2	2 13/16
UPT250-100-AA	2 1/2	750MCM	1000MCM	3 1/4	3 1/2	8 3/8	1/2	1/2	2 27/32
UPT250-150-AA	2 1/2	1000MCM	1500MCM	3 1/4	4 1/2	9 3/8	1/2	5/8	3 1/4
UPT250-200-AA	2 1/2	1500MCM	2000MCM	3 1/4	4 1/2	9 3/8	1/2	5/8	3 3/4
UPT300-30-AA	3	1/0STR	300MCM	3 1/4	3 1/4	8 3/4	1/2	1/2	2 5/16
UPT300-50-AA	3	300MCM	500MCM	3 1/4	3 1/4	8 3/4	1/2	1/2	2 1/2
UPT300-90-AA	3	500MCM	900MCM	3 1/2	3 1/2	9	1/2	1/2	2 13/16
UPT300-100-AA	3	750MCM	1000MCM	3 1/4	3 1/2	9	1/2	1/2	2 27/32
UPT300-150-AA	3	1000MCM	1500MCM	3 3/4	4 1/2	10 3/8	5/8	5/8	3 1/4
UPT300-200-AA	3	1500MCM	2000MCM	3 3/4	4 1/2	10 3/8	5/8	5/8	3 3/4
UPT400-30-AA	4	1/0STR	300MCM	3 3/4	4 1/2	10 3/8	5/8	5/8	2 5/16
UPT500-150-AA	5	1000MCM	1500MCM	3 3/4	4	10 3/8	5/8	5/8	3 1/4