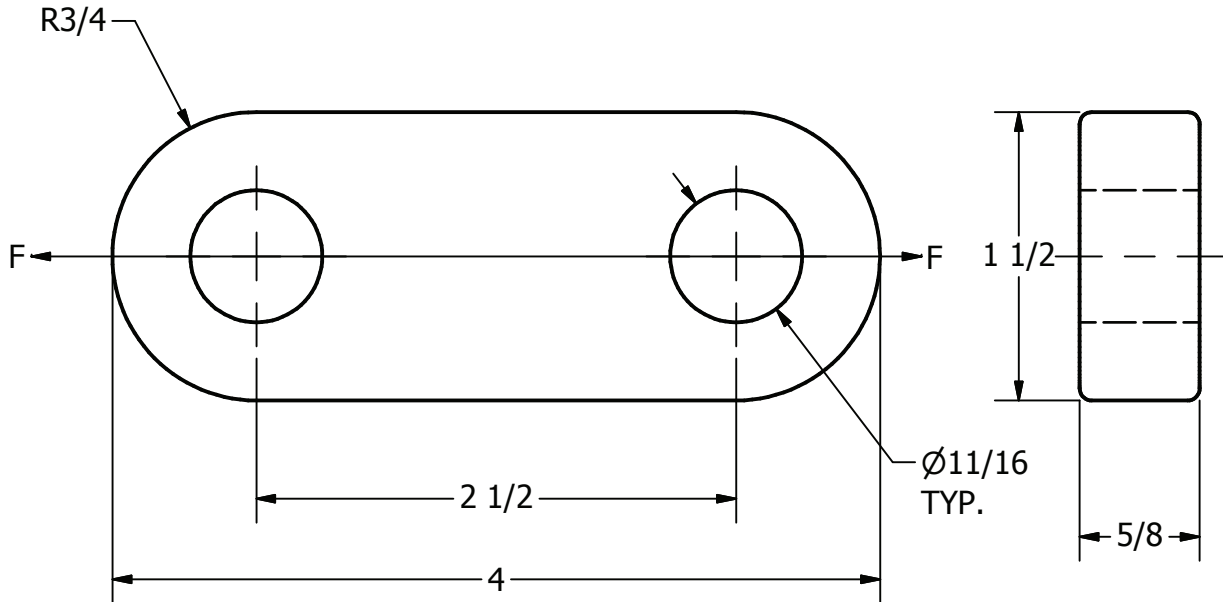


ITEM NO

DWG NO  
D-6441



THIS DRAWING AND ALL INFORMATION ON IT IS THE PROPERTY OF AFL. IT IS CONFIDENTIAL AND IT IS GIVEN TO YOU FOR A LIMITED PURPOSE AND MUST BE RETURNED UPON REQUEST. NEITHER THIS DRAWING OR ANY PART OF IT NOR ANY INFORMATION CONCERNING IT MAY BE COPIED, EXHIBITED, OR FURNISHED TO OTHERS NOR PHOTOGRAPHS TAKEN OF ANY ARTICLE FABRICATED OR ASSEMBLED FROM THE DRAWING WITHOUT THE CONSENT OF AFL.



MATERIAL:  
ALUMINUM BRONZE ASTM B30

MIN ULTIMATE STRENGTH LOAD:  
"F" = 25,000 LBS

0.95 LBS

LOCATION					CONTRACT NO		CUST / CONTR	
REVISIONS					 			
REV	DESCRIPTION	DATE	BY	APR	LINK, DOUBLE EYE			
3	RE-DRAWN IN INVENTOR	1-30-10	LK	EP				
					REV	DEL63		1 OF 1
					3			

DRN BY: CS  
DRN DATE: 7-11-86  
CHK BY: HJ  
CHK DATE: 7-11-86