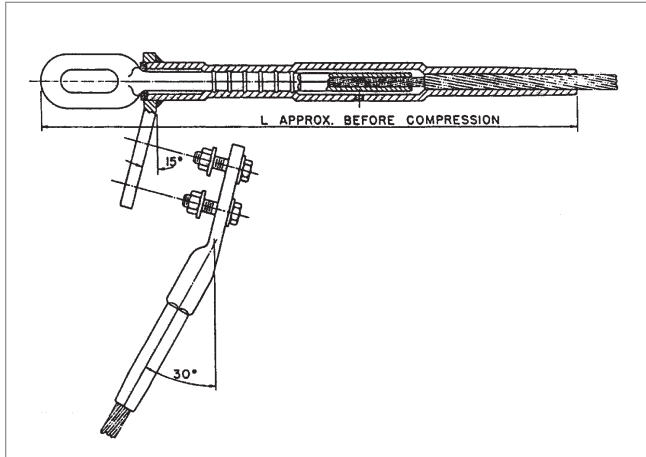


HiTemp Compression Dead End for ACSS Conductor, Eye Type, Single Tongue, 33100HT Series



The 33100HT Series Dead End Assembly is specifically designed for ACSS conductors. The body of the HiTemp Dead End is fabricated from a specially tempered aluminum that will transfer elevated current and dissipate increased heat more efficiently. The tongue and terminal pad are constructed with a 15° angle, which permits the terminal connector to be bolted in the straight or 30° position.

All HiTemp Dead Ends are designed for full tension use, achieving a minimum of 95% of the ASTM rated strength of the conductor. Each dead end assembly comes with terminal and aluminum hardware.

For die sizes 30AH and above, the end tapers of the compression portions of all compression accessories are supplied with a high voltage finish. Corona bolts are furnished as standard on 15° terminals for these die sizes.

The square edges of the bolted pads of the compression accessories could cause Corona. Pads with edges and corners rounded can be supplied by adding the catalog suffix "EHV".

Ordering Instructions

Step 1: Assembly Catalog Number

Determine the assembly catalog number based on the conductor being used.

Step 2: Terminal Connector

For an assembly without a terminal connector, use "NT".

For an assembly with a terminal connector, leave blank.

Step 3: Extra High Voltage Finish

For Extra High Voltage Finish, use "EHV". (≥ 345 kV)

For Standard Finish, leave blank. (< 345 kV)

Step 4: Assemble Catalog Number

Assy Catalog Number + Terminal Connector + EHV Finish

Example:

For 795 Drake ACSS Conductor with no terminal and EHV finish, the complete catalog number is:

E33142HTNTEHV

Notes:

1. Eye Dimensions are on page 339.
2. Pad Dimensions are on page 339.
3. HiTemp AFL Filler Compound (AFCHT) Requirements are on page 340.
4. Bolt Sizes and Torque Recommendations are on page 340.
5. Installation Instructions for Dead Ends are on page 345.
6. Installation Instructions for Terminals are on page 351.
7. For more information on die selection and ordering instructions, see the Tools and Equipment section of this catalog.

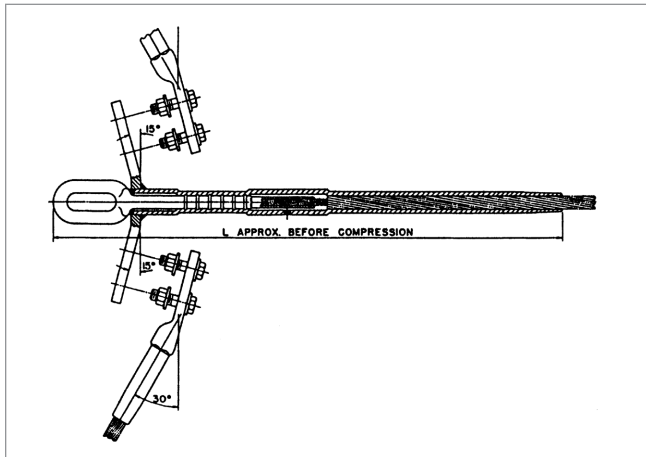
HiTemp Compression Dead End for ACSS Conductor, Eye Type, Single Tongue, 33100HT Series (cont.)

Dead End Assembly Catalog Number	Conductor				Component Catalog Number			Die Size		Total Weight		Total Dead End Length		Pad Size
	Code Name	Size	Stranding	Diameter	Dead End Body	Steel Eye	15° Terminal	Aluminum	Steel	lbs	kg	in	mm	
		kcmil	Al/St	in										
E33109HT	Woodcock/ACSS	336.4	22/7	0.701	8120.781CHT	9176.228	5120.781HT	20AH	76SH	5.8	2.6	27.3	693	D
E33113HT	Linnet/ACSS	336.4	26/7	0.720	8120.812CHT	9110.277	5120.812HT	20AH	10SH	5.9	2.7	27.3	693	D
E33114HT	Oriole/ACSS	336.4	30/7	0.741	8120.781CHT	9110.332	5120.781HT	20AH	10SH	5.9	2.7	27.3	693	D
E33115HT	Ptarmigan/ACSS	397.5	20/7	0.752	8120.812CHT	9110.231	5120.812HT	20AH	10SH	5.6	2.6	26.6	676	D
E33116HT	Brant/ACSS	397.5	24/7	0.772	8120.812CHT	9110.261	5120.812HT	20AH	10SH	5.6	2.6	26.6	676	D
E33117HT	Ibis/ACSS	397.5	26/7	0.783	8120.844HT	9110.302	5120.844HT	20AH	10SH	5.4	2.5	26.6	676	D
E33118HT	Lark/ACSS	397.5	30/7	0.806	8120.844HT	9112.359	5120.844HT	20AH	12SH	5.5	2.5	26.6	676	D
E33119HT	Tailorbird/ACSS	477.0	20/7	0.823	8120.875HT	9210.231	5120.875HT	20AH	10SH	5.5	2.5	26.6	676	D
E33120HT	Flicker/ACSS	477.0	24/7	0.846	8124.938HT	9110.295	5124.938HT	24AH	10SH	6.8	3.1	26.7	677	D
E33121HT	Hawk/ACSS	477.0	26/7	0.858	8124.938HT	9112.332	5124.938HT	24AH	12SH	6.9	3.1	26.7	677	D
E33122HT	Hen/ACSS	477.0	30/7	0.883	8124.938CHT	9212.397	5124.938HT	24AH	12SH	7.6	3.4	26.8	681	D
E33123HT	Sapsucker/ACSS	556.5	22/7	0.901	8124.969HT	9210.277	5124.969HT	24AH	10SH	7.4	3.4	27.3	693	D
E33124HT	Parakeet/ACSS	556.5	24/7	0.914	8124.969HT	9210.316	5124.969HT	24AH	10SH	7.4	3.4	27.3	693	D
E33125HT	Dove/ACSS	556.5	26/7	0.927	8127.100HT	9212.359	5127.100HT	27AH	12SH	9.0	4.1	28.8	731	D
E33126HT	Eagle/ACSS	556.5	30/7	0.953	8127.100CHT	9314.432	5127.100HT	27AH	14SH	10.2	4.6	29.0	736	D
E33127HT	Peacock/ACSS	605.0	24/7	0.953	8127.100HT	9212.332	5127.100HT	27AH	12SH	9.0	4.1	28.8	731	D
E33128HT	Squab/ACSS	605.0	26/7	0.966	8127.100HT	9212.377	5127.100HT	27AH	12SH	9.3	4.2	28.8	731	D
E33130HT	Wood Duck/ACSS	605.0	30/7	0.994	8127.106HT	9314.441	5127.106HT	27AH	14SH	10.0	4.6	29.0	736	D
E33129HT	Teal/ACSS	605.0	30/19	0.994	8127.106HT	9314.441	5127.106HT	27AH	14SH	10.0	4.6	29.0	736	D
E33131HT	Goldfinch/ACSS	636.0	22/7	0.963	8127.106HT	9210.295	5127.100HT	27AH	10SH	8.8	4.0	28.8	731	D
E33132HT	Rook/ACSS	636.0	24/7	0.977	8127.106HT	9212.344	5127.106HT	27AH	12SH	9.0	4.1	28.8	731	D
E33133HT	Grosbeak/ACSS	636.0	26/7	0.990	8127.106HT	9212.386	5127.106HT	27AH	12SH	9.0	4.1	28.8	731	D
E33182HT	Scoter/ACSS	636.0	30/7	1.019	8127.106HT	9314.453	5127.106HT	27AH	14SH	10.0	4.6	29.0	736	D
E33134HT	Egret/ACSS	636.0	30/19	1.019	8127.106HT	9314.453	5127.106HT	27AH	14SH	10.0	4.6	29.0	736	D
E33135HT	Flamingo/ACSS	666.6	24/7	1.000	8127.106HT	9212.351	5127.106HT	27AH	12SH	9.0	4.1	28.8	731	D
E33183HT	Gannet/ACSS	666.6	26/7	1.014	8127.106HT	9314.397	5127.106HT	27AH	14SH	10.0	4.6	29.0	736	D
E33136HT	Stilt/ACSS	715.5	24/7	1.036	8130.109HT	9312.359	5130.109HT	30AH	12SH	12.0	5.5	29.3	746	D
E33137HT	Starling/ACSS	715.5	26/7	1.051	8130.116HT	9314.406	5130.109HT	30AH	14SH	12.2	5.6	29.8	759	D
E33138HT	Redwing/ACSS	715.5	30/19	1.081	8130.116HT	9316.500	5130.116HT	30AH	16SH	12.2	5.6	29.8	759	D
E33141HT	Cuckoo/ACSS	795.0	24/7	1.092	8130.116HT	9312.386	5130.116HT	30AH	12SH	11.6	5.3	29.8	759	D
E33142HT	Drake/ACSS	795.0	26/7	1.108	8130.122HT	9314.432	5130.122HT	30AH	14SH	11.8	5.4	29.8	759	D
E33144HT	Macaw/ACSS	795.0	42/7	1.055	8130.116HT	9310.261	5130.116HT	30AH	10SH	11.4	5.2	29.8	759	D
E33140HT	Tern/ACSS	795.0	45/7	1.063	8130.116HT	9310.277	5130.116HT	30AH	10SH	11.4	5.2	29.8	759	D
E33141HT	Condor/ACSS	795.0	54/7	1.092	8130.116HT	9312.386	5130.116HT	30AH	12SH	12.1	5.5	29.8	759	D
E33143HT	Mallard/ACSS	795.0	30/19	1.140	8130.122HT	9416.516	5130.122HT	30AH	16SH	12.0	5.5	30.5	774	D
E33145HT	Ruddy/ACSS	900.0	45/7	1.131	8130.122HT	9310.302	5130.122HT	30AH	10SH	11.2	5.1	30.3	771	D
E33146HT	Canary/ACSS	900.0	54/7	1.162	8130.122HT	9414.406	5130.122HT	30AH	14SH	12.0	5.5	30.5	774	D
E33147HT	Corncrake/ACSS	954.0	20/7	1.165	8130.125HT	9412.309	5130.125HT	30AH	12SH	11.7	5.3	30.5	774	D
E33184HT	Redbird/ACSS	954.0	24/7	1.196	8130.125HT	9414.422	5130.125HT	30AH	14SH	12.0	5.5	30.5	774	D
E33148HT	Rail/ACSS	954.0	45/7	1.165	8130.122HT	9410.302	5130.122HT	30AH	10SH	11.6	5.3	30.5	774	D
E33149HT	Towhee/ACSS	954.0	48/7	1.175	8130.125HT	9412.344	5130.125HT	30AH	12SH	11.7	5.3	31.2	793	D
E33150HT	Cardinal/ACSS	954.0	54/7	1.196	8130.125HT	9414.422	5130.125HT	30AH	14SH	12.0	5.5	31.2	793	D
E33151HT	Canvasback/ACSS	954.0	30/19	1.248	8134.134CHT	E9718.578	5134.134HT	34AH	18SH	14.8	6.7	32.9	836	D
E33153HT	Snowbird/ACSS	1033.5	42/7	1.203	8134.128HT	9410.277	5134.128HT	34AH	10SH	15.1	6.9	31.5	800	D
E33152HT	Ortolan/ACSS	1033.5	45/7	1.212	8134.134HT	9410.316	5134.134HT	34AH	10SH	15.1	6.9	31.5	800	D
E33154HT	Curlew/ACSS	1033.5	54/7	1.245	8134.134HT	9414.432	5134.134HT	34AH	14SH	14.8	6.7	32.1	815	D

HiTemp Compression Dead End for ACSS Conductor, Eye Type, Single Tongue, 33100HT Series (cont.)

Dead End Assembly Catalog Number	Conductor				Component Catalog Number			Die Size		Total Weight		Total Dead End Length		Pad Size
	Code Name	Size	Stranding	Diameter	Dead End Body	Steel Eye	15° Terminal	Aluminum	Steel	Lbs	kg	In	mm	
		kcmil	Al/St	In										
E33155HT	Bluejay/ACSS	1113.0	45/7	1.259	8134.134HT	9412.332	5134.134HT	34AH	12SH	14.5	6.6	32.1	815	D
E33157HT	Finch/ACSS	1113.0	54/19	1.293	8134.138CHT	E9614.453	5134.138HT	34AH	14SH	14.7	6.6	32.9	836	D
E33158HT	Bunting/ACSS	1192.5	45/7	1.302	8134.138HT	E9512.344	5134.138HT	34AH	12SH	14.5	6.6	32.1	817	D
E33159HT	Grackle/ACSS	1192.5	54/19	1.338	8136.144CHT	E9614.453	5136.144HT	36AH	14SH	16.3	7.4	32.3	820	D
E33161HT	Bittern/ACSS	1272.0	45/7	1.345	8136.144HT	E9512.351	5136.144HT	36AH	12SH	16.1	7.3	32.3	820	D
E33162HT	Diver/ACSS	1272.0	48/7	1.357	8136.144CHT	E9614.406	5136.144HT	36AH	14SH	16.3	7.4	32.3	820	D
E33163HT	Pheasant/ACSS	1272.0	54/19	1.382	8136.147HT	E9616.500	5136.147HT	36AH	16SH	16.7	7.6	32.5	827	D
E33164HT	Dipper/ACSS	1351.5	45/7	1.386	8136.147HT	E9612.377	5136.147HT	36AH	12SH	16.2	7.4	32.5	827	D
E33166HT	Martin/ACSS	1351.5	54/19	1.424	8138.156HT	E9616.500	5138.156HT	38AH	16SH	18.9	8.6	32.8	833	D
E33167HT	Bobolink/ACSS	1431.0	45/7	1.427	8138.150HT	E9612.377	5138.150HT	38AH	12SH	18.4	8.4	32.8	833	D
E33169HT	Plover/ACSS	1431.0	54/19	1.465	8138.156HT	E9616.516	5138.156HT	38AH	16SH	18.6	8.5	32.8	833	D
E33170HT	Nuthatch/ACSS	1510.0	45/7	1.466	8138.156HT	E9612.386	5138.156HT	38AH	12SH	18.1	8.2	32.8	833	D
E33172HT	Parrot/ACSS	1510.0	54/19	1.505	8140.162HT	E9616.531	5140.162HT	40AH	16SH	21.9	10.0	33.6	855	E
E33171HT	Ratite/ACSS	1590.0	42/7	1.492	8140.162HT	E9612.344	5140.162HT	40AH	12SH	21.4	9.7	33.6	855	E
E33173HT	Lapwing/ACSS	1590.0	45/7	1.504	8140.162HT	E9612.397	5140.162HT	40AH	12SH	21.4	9.7	33.6	855	E
E33174HT	Falcon/ACSS	1590.0	54/19	1.544	8140.162HT	E9718.546	5140.162HT	40AH	18SH	23.1	10.5	33.8	858	E
E33175HT	Chukar/ACSS	1780.0	84/19	1.602	8142.178HT	E9714.453	5142.178HT	42AH	14SH	23.5	10.7	35.0	889	E
E33176HT	Mockingbird/ACSS	2034.5	72/7	1.681	8142.178CHT	E9814.359	5142.178HT	42AH	14SH	25.1	11.4	35.0	889	E
E33177HT	Roadrunner/ACSS	2057.0	76/19	1.700	8142.178CHT	E9814.422	5142.178HT	42AH	14SH	25.1	11.4	35.0	889	E
E33178HT	Bluebird/ACSS	2156.0	84/19	1.762	8144.184HT	E9816.516	5144.184HT	44AH	16SH	25.6	11.6	32.8	835	E
E33179HT	Kiwi/ACSS	2167.0	72/7	1.735	8144.181HT	E9812.377	5144.181HT	44AH	12SH	25.6	11.6	32.8	835	E
E33180HT	Thrasher/ACSS	2312.0	76/19	1.802	8144.188HT	E9814.422	5144.188HT	44AH	14SH	25.6	11.6	32.8	835	E
E33181HT	Joreel/ACSS	2515.0	76/19	1.880	8148.197HT	E9814.453	5148.197HT	48AH	14SH	29.4	13.4	37.3	948	E

HiTemp Compression Dead End for ACSS Conductor, Eye Type, Double Tongue, 33300HT Series



The 33300HT Series Double Tongue Dead End Assembly is specifically designed for ACSS conductor. The body of the HiTemp Dead Ends are fabricated from a specially tempered aluminum that will transfer elevated current and dissipate increased heat more efficiently. The tongue and terminal pad are constructed with a 15° angle, which permits the terminal connector to be bolted in the straight or 30° position.

All HiTemp Dead Ends are designed for full tension use, achieving a minimum of 95% of the ASTM rated strength of the conductor. Each dead end assembly comes with two 15° terminals and aluminum hardware.

For die sizes 30AH and above, the end tapers of the compression portions of all compression accessories are supplied with a high voltage finish. Corona bolts are furnished as standard on 15° terminals for these die sizes.

The square edges of the bolted pads of the compression accessories could cause Corona. Pads with edges and corners rounded can be supplied by adding the catalog suffix "EHV".

Ordering Instructions

Step 1: Assembly Catalog Number

Determine the assembly catalog number based on the conductor being used.

Step 2: Terminal Connector

For an assembly without a terminal connector, use "NT".

For an assembly with a terminal connector, leave blank.

Step 3: Extra High Voltage Finish

For Extra High Voltage Finish, use "EHV". (≥ 345 kV)

For Standard Finish, leave blank. (< 345 kV)

Step 4: Assemble Catalog Number

Assy Catalog Number + Terminal Connector + EHV Finish

Example:

For 795 Drake ACSS Conductor with no terminal and EHV finish, the complete catalog number is:

E33342HTNTEHV

Notes:

1. Eye Dimensions are on page 339.
2. Pad Dimensions are on page 339.
3. HiTemp AFL Filler Compound (AFCHT) Requirements are on page 340.
4. Bolt Sizes and Torque Recommendations are on page 340.
5. Installation Instructions for Dead Ends are on page 345.
6. Installation Instructions for Terminals are on page 351.
7. For more information on die selection and ordering instructions, see the Tools and Equipment section of this catalog.

HiTemp Compression Dead End for ACSS Conductor, Eye Type, Double Tongue, 33300HT Series (cont.)

Dead End Assembly Catalog Number	Conductor				Component Catalog Number			Die Size		Total Weight		Total Length L		Pad Size
	Code Name	Size	Stranding	Diameter	Dead End Body	Steel Eye	15° Terminal	Aluminum	Steel	lbs	kg	in	mm	
		kcmil	Al/St	in										
E33309HT	Woodcock/ACSS	336.4	22/7	0.701	8220.781CHT	9176.228	5120.781HT	20AH	76SH	6.4	2.9	27.3	693	D
E33313HT	Linnet/ACSS	336.4	26/7	0.720	8220.812CHT	9110.277	5120.812HT	20AH	105SH	6.4	2.9	27.3	693	D
E33314HT	Oriole/ACSS	336.4	30/7	0.741	8220.781CHT	9110.332	5120.781HT	20AH	105SH	6.4	2.9	27.3	693	D
E33315HT	Ptarmigan/ACSS	397.5	20/7	0.752	8220.812CHT	9110.231	5120.812HT	20AH	105SH	6.2	2.8	26.6	676	D
E33316HT	Brant/ACSS	397.5	24/7	0.772	8220.812CHT	9110.261	5120.812HT	20AH	105SH	6.2	2.8	26.6	676	D
E33317HT	Ibis/ACSS	397.5	26/7	0.783	8220.844HT	9110.302	5120.844HT	20AH	105SH	6.0	2.7	26.6	676	D
E33318HT	Lark/ACSS	397.5	30/7	0.806	8220.844HT	9112.359	5120.844HT	20AH	125SH	6.1	2.8	26.6	676	D
E33319HT	Tailorbird/ACSS	477.0	20/7	0.823	8220.875HT	9210.231	5120.875HT	20AH	105SH	5.8	2.7	26.6	676	D
E33320HT	Flicker/ACSS	477.0	24/7	0.846	8224.938HT	9110.295	5124.938HT	24AH	105SH	7.4	3.4	26.7	677	D
E33321HT	Hawker/ACSS	477.0	26/7	0.858	8224.938HT	9112.332	5124.938HT	24AH	125SH	7.5	3.4	26.7	677	D
E33322HT	Hen/ACSS	477.0	30/7	0.883	8224.938CHT	9212.397	5124.938HT	24AH	125SH	8.0	3.6	26.8	681	D
E33323HT	Sapsucker/ACSS	556.5	22/7	0.901	8224.969HT	9210.277	5124.969HT	24AH	105SH	7.8	3.6	27.3	693	D
E33324HT	Parakeet/ACSS	556.5	24/7	0.914	8224.969HT	9210.316	5124.969HT	24AH	105SH	7.8	3.6	27.3	693	D
E33325HT	Dove/ACSS	556.5	26/7	0.927	8227.100HT	9212.359	5127.100HT	27AH	125SH	10.0	4.6	28.8	731	D
E33326HT	Eagle/ACSS	556.5	30/7	0.953	8227.100CHT	9314.432	5127.100HT	27AH	145SH	11.2	5.1	28.8	731	D
E33327HT	Peacock/ACSS	605.0	24/7	0.953	8227.100HT	9212.332	5127.100HT	27AH	125SH	10.0	4.6	28.8	731	D
E33328HT	Squab/ACSS	605.0	26/7	0.966	8227.100HT	9212.377	5127.100HT	27AH	125SH	10.3	4.7	28.8	731	D
E33330HT	Wood Duck/ACSS	605.0	30/7	0.994	8227.106HT	9314.441	5127.106HT	27AH	145SH	11.1	5.1	29.0	736	D
E33329HT	Teal/ACSS	605.0	30/19	0.994	8227.106HT	9314.441	5127.106HT	27AH	145SH	11.1	5.1	29.0	736	D
E33331HT	Goldfinch/ACSS	636.0	22/7	0.963	8227.100HT	9212.295	5127.100HT	27AH	105SH	10.0	4.6	28.8	731	D
E33332HT	Rook/ACSS	636.0	24/7	0.977	8227.106HT	9212.344	5127.106HT	27AH	125SH	10.1	4.6	28.8	731	D
E33333HT	Grosbeak/ACSS	636.0	26/7	0.990	8227.106HT	9212.386	5127.106HT	27AH	125SH	10.1	4.6	28.8	731	D
E33382HT	Scoter/ACSS	636.0	30/7	1.019	8227.106HT	9314.453	5127.106HT	27AH	145SH	11.1	5.1	29.0	736	D
E33334HT	Egret/ACSS	636.0	30/19	1.019	8227.106HT	9314.453	5127.106HT	27AH	145SH	11.1	5.1	29.0	736	D
E33335HT	Flamingo/ACSS	666.6	24/7	1.000	8227.106HT	9212.351	5127.106HT	27AH	125SH	10.1	4.6	28.8	731	D
E33383HT	Gannet/ACSS	666.6	26/7	1.014	8227.106HT	9314.397	5127.106HT	27AH	145SH	11.1	5.1	29.3	746	D
E33366HT	Stilt/ACSS	715.5	24/7	1.036	8230.109HT	9212.359	5130.109HT	30AH	125SH	13.1	6.0	29.3	746	D
E33337HT	Starling/ACSS	715.5	26/7	1.051	8230.116HT	9314.406	5130.116HT	30AH	145SH	13.3	6.1	29.3	746	D
E33338HT	Redwing/ACSS	715.5	30/19	1.081	8230.116HT	9316.500	5130.116HT	30AH	165SH	13.1	6.0	29.8	759	D
E33341HT	Cuckoo/ACSS	795.0	24/7	1.092	8230.116HT	9312.386	5130.116HT	30AH	125SH	12.9	5.9	29.8	759	D
E33342HT	Drake/ACSS	795.0	26/7	1.108	8230.122HT	9314.432	5130.122HT	30AH	145SH	13.1	6.0	29.8	759	D
E33344HT	Macaw/ACSS	795.0	42/7	1.055	8230.116HT	9310.261	5130.116HT	30AH	105SH	12.7	5.8	29.8	759	D
E33340HT	Tern/ACSS	795.0	45/7	1.063	8230.116HT	9310.277	5130.116HT	30AH	105SH	12.7	5.8	29.8	759	D
E33341HT	Condor/ACSS	795.0	54/7	1.092	8230.116HT	9312.386	5130.116HT	30AH	125SH	12.9	5.9	29.8	759	D
E33343HT	Mallard/ACSS	795.0	30/19	1.140	8230.122HT	9416.516	5130.122HT	30AH	165SH	13.3	6.1	30.5	774	D
E33345HT	Ruddy/ACSS	900.0	45/7	1.131	8230.122HT	9310.302	5130.122HT	30AH	105SH	12.5	5.7	30.3	771	D
E33346HT	Canary/ACSS	900.0	54/7	1.162	8230.122HT	9414.406	5130.122HT	30AH	145SH	13.3	6.1	30.5	774	D
E33347HT	Corncrake/ACSS	954.0	20/7	1.165	8230.125HT	9412.309	5130.125HT	30AH	125SH	13.0	5.9	30.5	774	D
E33384HT	Redbird/ACSS	954.0	24/7	1.196	8230.125HT	9414.422	5130.125HT	30AH	145SH	13.2	6.0	31.2	793	D
E33348HT	Rail/ACSS	954.0	45/7	1.165	8230.122HT	9410.302	5130.122HT	30AH	105SH	12.9	5.9	30.5	774	D
E33349HT	Towhee/ACSS	954.0	48/7	1.175	8230.125HT	9412.344	5130.125HT	30AH	125SH	12.9	5.9	31.2	793	D
E33350HT	Cardinal/ACSS	954.0	54/7	1.196	8230.125HT	9414.422	5130.125HT	30AH	145SH	13.2	6.0	31.2	793	D
E33351HT	Canvasback/ACSS	954.0	30/19	1.248	8234.134CHT	E9718.578	5134.134HT	34AH	185SH	15.9	7.2	32.9	836	D
E33353HT	Snowbird/ACSS	1033.5	42/7	1.203	8234.128HT	9410.277	5134.128HT	34AH	105SH	16.2	7.4	31.5	800	D
E33352HT	Ortolan/ACSS	1033.5	45/7	1.212	8234.134HT	9410.316	5134.134HT	34AH	105SH	15.9	7.2	32.1	817	D
E33354HT	Curlew/ACSS	1033.5	54/7	1.245	8234.134HT	9414.432	5134.134HT	34AH	145SH	15.9	7.2	32.1	817	D
E33355HT	Bluejay/ACSS	1113.0	45/7	1.259	8234.134HT	9412.332	5134.134HT	34AH	125SH	14.7	6.7	32.1	817	D
E33357HT	Finch/ACSS	1113.0	54/19	1.293	8234.138CHT	E9614.453	5134.138HT	34AH	145SH	16.3	7.4	32.1	817	D
E33358HT	Bunting/ACSS	1192.5	45/7	1.302	8234.138HT	E9512.344	5134.138HT	34AH	125SH	15.6	7.1	32.1	817	D
E33359HT	Grackle/ACSS	1192.5	54/19	1.338	8236.144CHT	E9614.453	5136.144HT	36AH	145SH	17.3	7.9	32.3	820	D
E33361HT	Bittern/ACSS	1272.0	45/7	1.345	8236.144HT	E9512.351	5136.144HT	36AH	125SH	17.1	7.8	32.9	836	D
E33362HT	Diver/ACSS	1272.0	48/7	1.357	8236.144CHT	E9614.406	5136.144HT	36AH	145SH	17.3	7.9	32.9	836	D
E33363HT	Pheasant/ACSS	1272.0	54/19	1.382	8236.147HT	E9616.500	5136.147HT	36AH	165SH	17.7	8.1	32.5	827	D
E33364HT	Dipper/ACSS	1351.5	45/7	1.386	8236.147HT	E9612.377	5136.147HT	36AH	125SH	17.2	7.8	32.5	827	D
E33366HT	Martin/ACSS	1351.5	54/19	1.424	8238.156HT	E9616.500	5138.156HT	38AH	165SH	20.1	9.1	32.8	833	D

HiTemp Compression Dead End for ACSS Conductor, Eye Type, Double Tongue, 33300HT Series (cont.)

Dead End Assembly Catalog Number	Code Name	Conductor			Component Catalog Number			Die Size		Total Weight		Total Length L		Pad Size
		Size	Stranding	Diameter	Dead End Body	Steel Eye	15° Terminal	Aluminum	Steel	lbs	kg	in	mm	
		kcmil	Al/St	in										
E33367HT	Bobolink/ACSS	1431.0	45/7	1.427	8238.150HT	E9612.377	5138.150HT	38AH	12SH	19.6	8.91	32.8	833	D
E33369HT	Plover/ACSS	1431.0	54/19	1.465	8238.156HT	E9616.516	5138.156HT	38AH	16SH	19.8	9.00	32.8	833	D
E33370HT	Nuthatch/ACSS	1510.0	45/7	1.466	8238.156HT	E9612.386	5138.156HT	38AH	12SH	19.3	8.77	32.8	833	D
E33372HT	Parrot/ACSS	1510.0	54/19	1.505	8240.162HT	E9616.531	5140.162HT	40AH	16SH	24.3	11.05	33.6	855	E
E33371HT	Ratite/ACSS	1590.0	42/7	1.492	8240.162HT	E9612.344	5140.162HT	40AH	12SH	23.8	10.82	33.6	855	E
E33373HT	Lapwing/ACSS	1590.0	45/7	1.504	8240.162HT	E9612.397	5140.162HT	40AH	12SH	23.8	10.82	33.6	855	E
E33374HT	Falcon/ACSS	1590.0	54/19	1.544	8240.162HT	E9718.546	5140.162HT	40AH	18SH	25.5	11.59	33.8	858	E
E33375HT	Chukar/ACSS	1780.0	84/19	1.602	8242.178HT	E9714.453	5142.178HT	42AH	14SH	24.3	11.05	35.0	889	E
E33376HT	Mockingbird/ACSS	2034.5	72/7	1.681	8242.178CHT	E9814.359	5142.178HT	42AH	14SH	25.0	11.36	35.0	889	E
E33377HT	Roadrunner/ACSS	2057.0	76/19	1.700	8242.178CHT	E9814.422	5142.178HT	42AH	14SH	25.0	11.36	35.0	889	E
E33378HT	Bluebird/ACSS	2156.0	84/19	1.762	8244.184HT	E9816.516	5144.184HT	44AH	16SH	26.1	11.86	32.8	835	E
E33379HT	Kiwi/ACSS	2167.0	72/7	1.735	8244.181HT	E9812.377	5144.181HT	44AH	12SH	26.1	11.86	32.8	835	E
E33380HT	Thrasher/ACSS	2312.0	76/19	1.802	8244.188HT	E9814.422	5144.188HT	44AH	14SH	26.3	11.95	32.8	835	E
E33381HT	Joreel/ACSS	2515.0	76/19	1.880	8248.197HT	E9814.453	5148.197HT	48AH	14SH	29.2	13.27	37.3	948	E