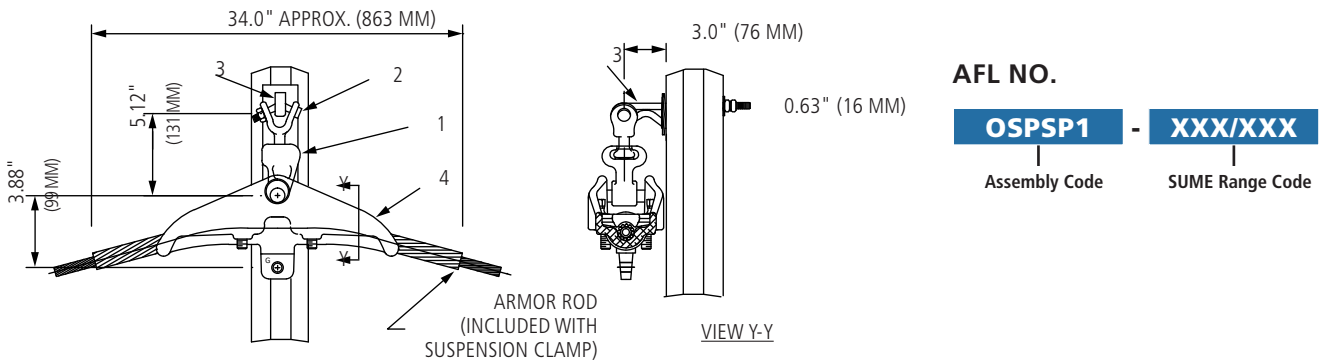
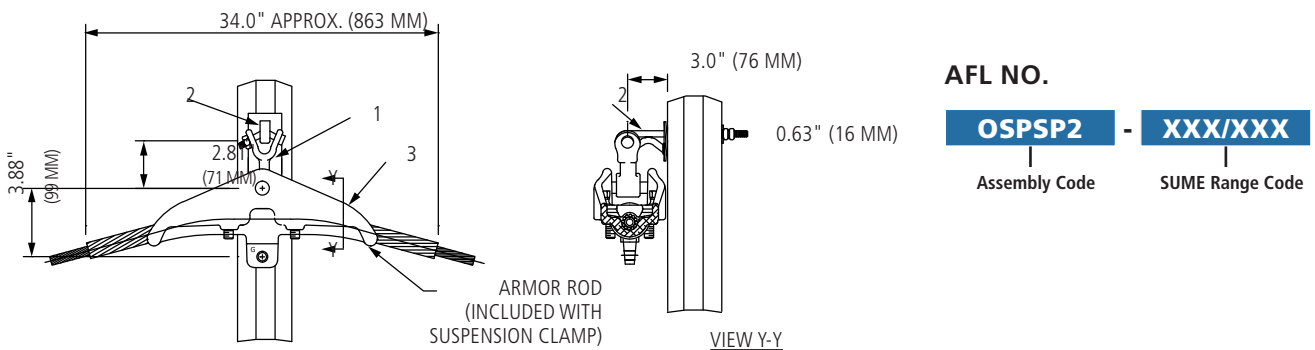


OPGW Single Suspension Steel Pole/Drilled Configuration Assembly



Bill of Material

Item	Description	Material	AFL or Dwg. No.	Req'd	Remarks
1	Socket Eye	Galvanized Steel	SE-SC	1	
2	Y-Clevis Ball	Galvanized Steel	YCBS	1	Pin Dia. = 0.75" (19 mm)
3	Shield Wire Support Bracket	Galvanized Steel	SFOSB-WP-14	1	14" Bolt, 0.63" (16 mm) Dia.
4	Suspension Clamp Assembly (Included)	Aluminum	SUME XXX/XXX	1	

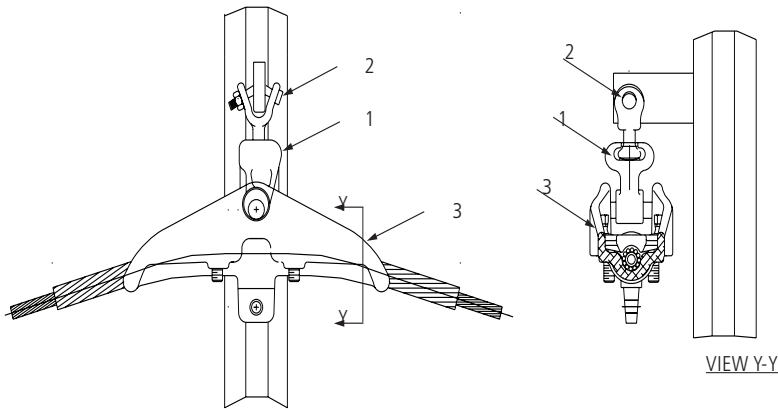


Bill of Material

Item	Description	Material	AFL or Dwg. No.	Req'd	Remarks
1	Y-Clevis Eye 90°	Galvanized Steel	YC90E-750-1750	1	Pin Dia. = 0.75" (19 mm)
2	Shield Wire Support Bracket	Galvanized Steel	SFOSB-WP-14	1	14" Bolt, 0.63" (16 mm) Dia.
3	Suspension Clamp Assembly (Included)	Aluminum	SUME XXX/XXX	1	

continued

OPGW Single Suspension Steel Pole/Vang Configuration Assemblies



AFL NO.

OSPSP3

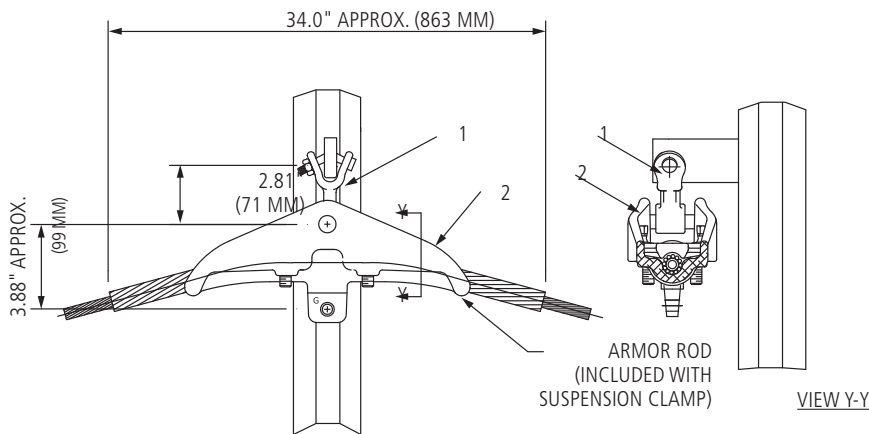
Assembly Code

XXX/XXX

SUME Range Code

Bill of Material

Item	Description	Material	AFL or Dwg. No.	Req'd	Remarks
1	Socket Eye	Galvanized Steel	SE-SC	1	
2	Y-Clevis Ball	Galvanized Steel	YCBS	1	Pin Dia. = 0.75" (19 mm)
3	Suspension Clamp Assembly (Included)	Aluminum	SUME XXX/XXX	1	



AFL NO.

OSPSP4

Assembly Code

XXX/XXX

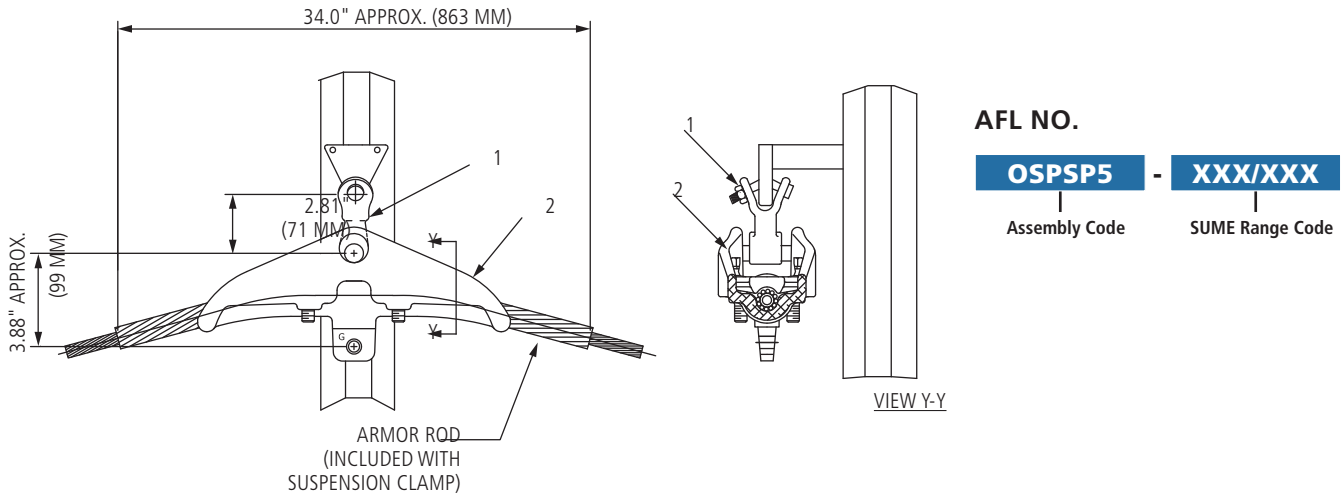
SUME Range Code

Bill of Material

Item	Description	Material	AFL or Dwg. No.	Req'd	Remarks
1	Y-Clevis Eye 90°	Galvanized Steel	YC90E-750-1750	1	Pin Dia. = 0.75" (19 mm)
2	Suspension Clamp Assembly (Included)	Aluminum	SUME XXX/XXX	1	

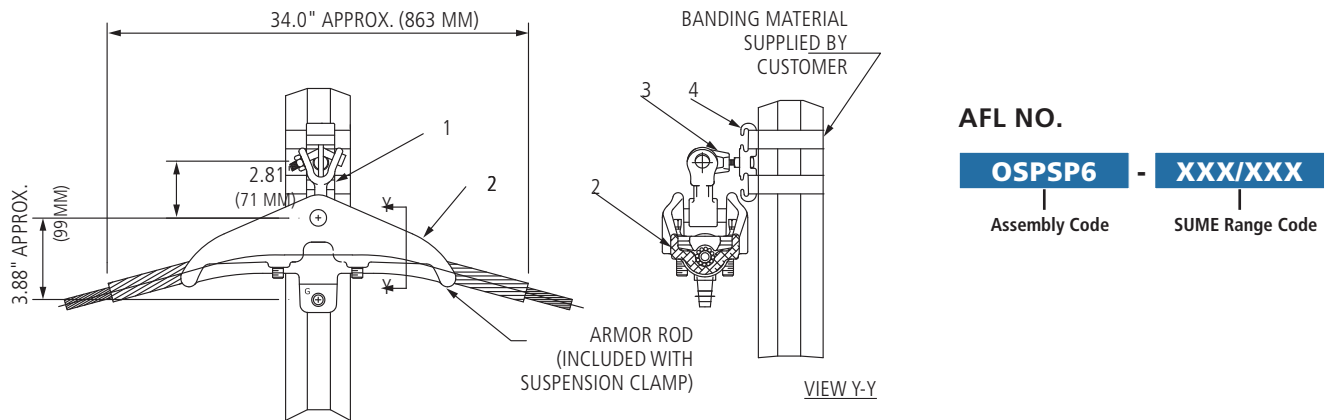
continued

OPGW Single Suspension Steel Pole/Vang Configuration Assemblies (cont.)



Bill of Material

Item	Description	Material	AFL or Dwg. No.	Req'd	Remarks
1	Y-Clevis Eye	Galvanized Steel	YCE-690-1125	1	Pin Dia. = 0.75" (19 mm)
2	Suspension Clamp Assembly (Included)	Aluminum	SUME XXX/XXX	1	



Bill of Material

Item	Description	Material	AFL or Dwg. No.	Req'd	Remarks
1	Y-Clevis Eye 90°	Galvanized Steel	YC90E-750-1750	1	Pin Dia. = 0.75" (19mm)
2	Suspension Clamp Assembly (Included)	Aluminum	SUME XXX/XXX	1	
3	Eye Bolt	Galvanized Steel			
4	Banding Adaptor	Aluminum			