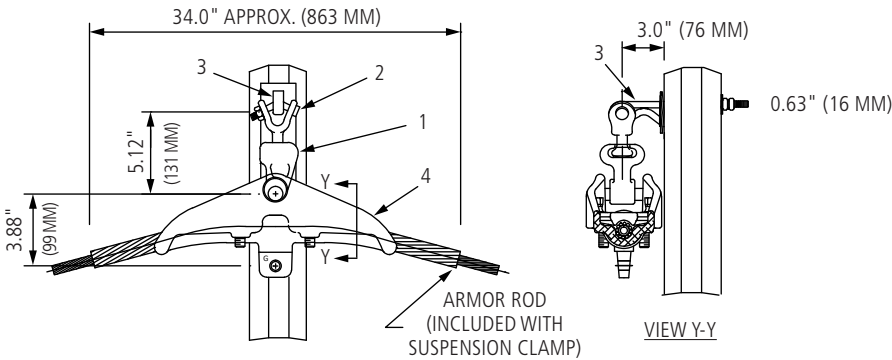


OPGW Single Suspension Steel Pole/Drilled Configuration Assembly

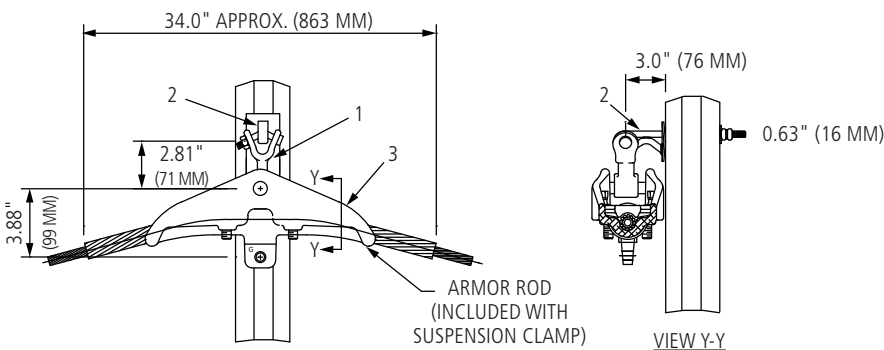


AFL NO.

OSPSP1	-	XXX/XXX
Assembly Code		SUME Range Code

Bill of Material

ITEM	DESCRIPTION	MATERIAL	AFL OR DWG. NO.	REQ'D	REMARKS
1	Socket Eye	Galvanized Steel	SE-SC	1	
2	Y-Clevis Ball	Galvanized Steel	YCBS	1	Pin Dia. = 0.75" (19 mm)
3	Shield Wire Support Bracket	Galvanized Steel	SFOSB-WP-14	1	14" Bolt, 0.63" (16 mm) Dia.
4	Suspension Clamp Assembly (Included)	Aluminum	SUME XXX/XXX	1	



AFL NO.

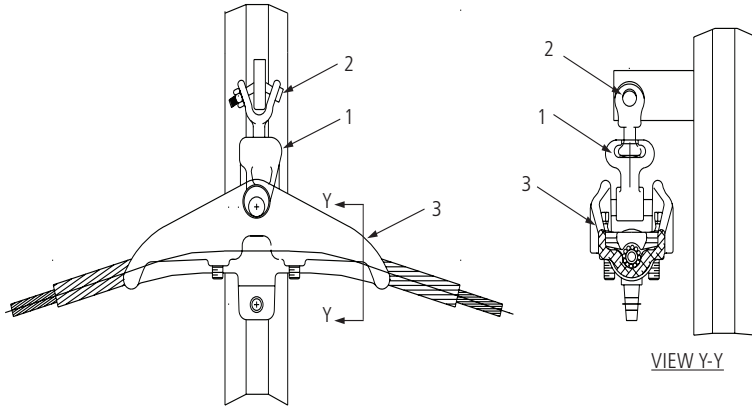
OSPSP2	-	XXX/XXX
Assembly Code		SUME Range Code

Bill of Material

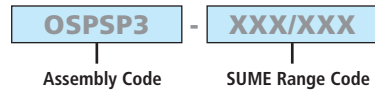
ITEM	DESCRIPTION	MATERIAL	AFL OR DWG. NO.	REQ'D	REMARKS
1	Y-Clevis Eye 90°	Galvanized Steel	YC90E-750-1750	1	Pin Dia. = 0.75" (19 mm)
2	Shield Wire Support Bracket	Galvanized Steel	SFOSB-WP-14	1	14" Bolt, 0.63" (16 mm) Dia.
3	Suspension Clamp Assembly (Included)	Aluminum	SUME XXX/XXX	1	

continued
→

OPGW Single Suspension Steel Pole/Vang Configuration Assemblies

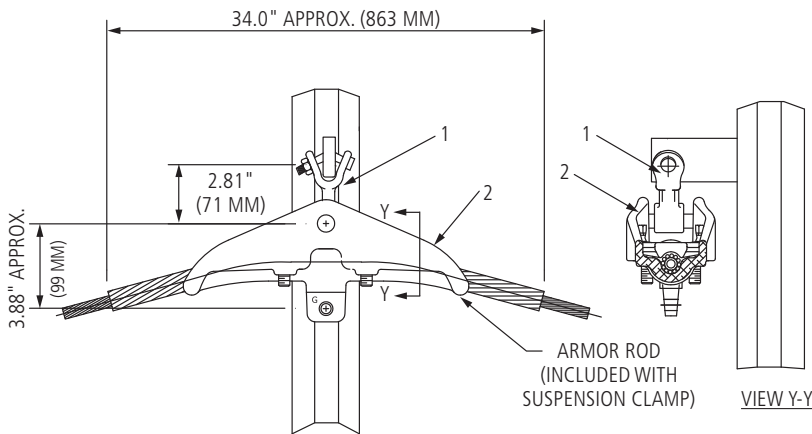


AFL NO.

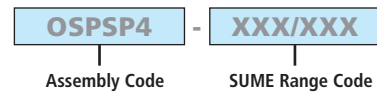


Bill of Material

ITEM	DESCRIPTION	MATERIAL	AFL OR DWG. NO.	REQ'D	REMARKS
1	Socket Eye	Galvanized Steel	SE-SC	1	
2	Y-Clevis Ball	Galvanized Steel	YCBS	1	Pin Dia. = 0.75" (19 mm)
3	Suspension Clamp Assembly (Included)	Aluminum	SUME XXX/XXX	1	



AFL NO.

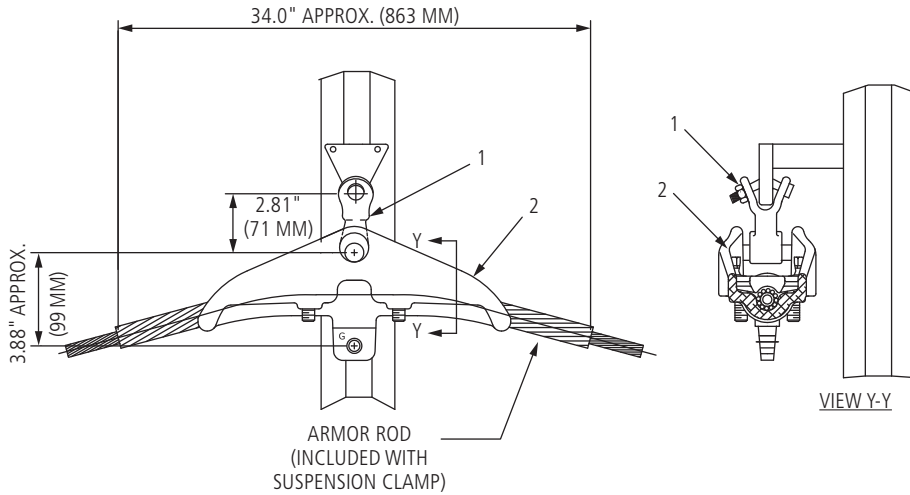


Bill of Material

ITEM	DESCRIPTION	MATERIAL	AFL OR DWG. NO.	REQ'D	REMARKS
1	Y-Clevis Eye 90°	Galvanized Steel	YC90E-750-1750	1	Pin Dia. = 0.75" (19 mm)
2	Suspension Clamp Assembly (Included)	Aluminum	SUME XXX/XXX	1	

continued
→

OPGW Single Suspension Steel Pole/Vang Configuration Assemblies (cont.)

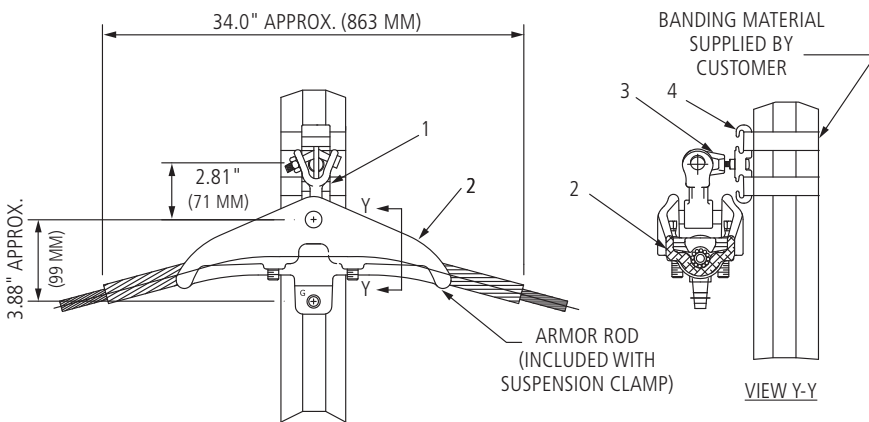


AFL NO.

OSPSP5 - **XXX/XXX**
 Assembly Code SUME Range Code

Bill of Material

ITEM	DESCRIPTION	MATERIAL	AFL OR DWG. NO.	REQ'D	REMARKS
1	Y-Clevis Eye	Galvanized Steel	YCS-11	1	Pin Dia. = 0.75" (19 mm)
2	Suspension Clamp Assembly (Included)	Aluminum	SUME XXX/XXX	1	



AFL NO.

OSPSP6 - **XXX/XXX**
 Assembly Code SUME Range Code

Bill of Material

ITEM	DESCRIPTION	MATERIAL	AFL OR DWG. NO.	REQ'D	REMARKS
1	Y-Clevis Eye 90°	Galvanized Steel	YC90E-750-1750	1	Pin Dia. = 0.75" (19mm)
2	Suspension Clamp Assembly (Included)	Aluminum	SUME XXX/XXX	1	
3	Eye Bolt	Galvanized Steel			
4	Banding Adaptor	Aluminum			