

# TYPE WXL-90V-AA

## Expansion Terminal Connector

### Material

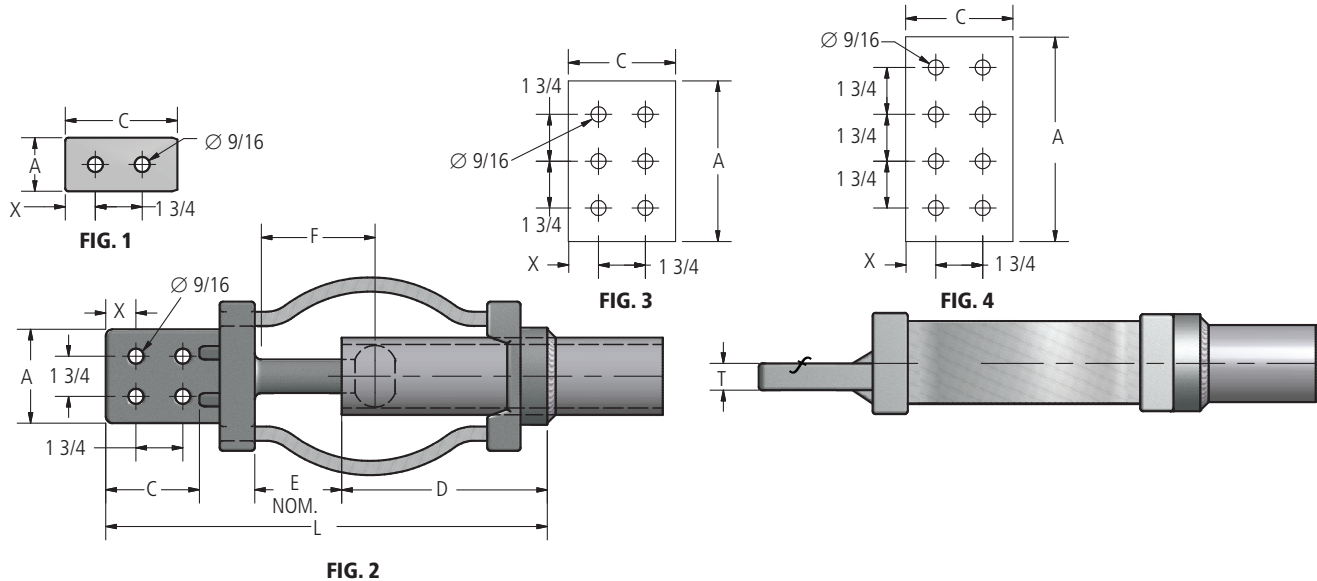
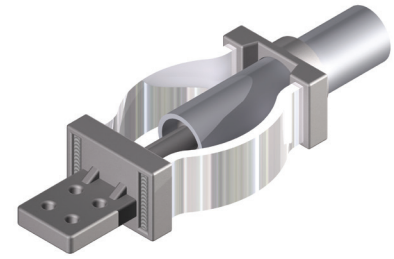
Aluminum Alloy

### Notes

- If alignment guide is not needed add "P" to the catalog number. EX: WXL200P-4N4-90V-AA

### Laminates

Pure Aluminum



## Ordering Information

Catalog Number		SPS	Fig. No.	Dimensions in Inches								
SCH 40	SCH 80			A	C	D	E	F	L	T	X	
WXL100-2N-90V-AA	WXL100E-2N-90V-AA	1	1	1-1/2	3	5-1/8	1-1/2	3-1/4	10-5/8	1/2	5/8	
WXL100-4N-90V-AA	WXL100E-4N-90V-AA	1	2	3	3	5-1/8	1-1/2	3-1/4	10-5/8	1/2	5/8	
WXL100-4N4-90V-AA	WXL100E-4N4-90V-AA	1	2	4	4	5-1/8	1-1/2	3-1/4	12-1/8	1/2	1-1/8	
WXL125-2N-90V-AA	WXL125E-2N-90V-AA	1 1/4	1	2 1/4	3	6	1-1/2	3-1/2	11-1/2	1/2	5/8	
WXL125-4N-90V-AA	WXL125E-4N-90V-AA	1 1/4	2	3	3	6	1-1/2	3-1/2	11-1/2	1/2	5/8	
WXL150-2N-90V-AA	WXL150E-2N-90V-AA	1-1/2	1	2-1/2	3	7-1/8	1-1/2	3-1/2	12-3/4	5/8	5/8	
WXL150-4N-90V-AA	WXL150E-4N-90V-AA	1-1/2	2	3	3	7-1/8	1-1/2	3-1/2	12-3/4	5/8	5/8	
WXL200-2N-90V-AA	WXL200E-2N-90V-AA	2	1	3	3	7-3/16	2-1/2	4-1/2	14-3/8	3/4	5/8	
WXL200-4N-90V-AA	WXL200E-4N-90V-AA	2	2	3	3	7-3/16	2-1/2	4-1/2	14-3/8	3/4	5/8	
WXL200-4N4-90V-AA	WXL200E-4N4-90V-AA	2	2	4	4	7-3/16	2-1/2	4-1/2	15-3/8	3/4	1-1/8	
WXL250-2N-90V-AA	WXL250E-2N-90V-AA	2-1/2	1	3	3	7-11/16	2-1/2	4-1/2	14-7/8	3/4	5/8	
WXL250-4N-90V-AA	WXL250E-4N-90V-AA	2-1/2	2	3	3	7-11/16	2-1/2	4-1/2	14-7/8	3/4	5/8	
WXL250-4N4-90V-AA	WXL250E-4N4-90V-AA	2-1/2	2	4	4	7-11/16	2-1/2	4-1/2	15-7/8	3/4	1-1/8	
WXL300-2N-90V-AA	WXL300E-2N-90V-AA	3	1	3	3	8-3/16	2-1/2	4-1/2	16	7/8	5/8	
WXL300-4N-90V-AA	WXL300E-4N-90V-AA	3	2	3	3	8-3/16	2-1/2	4-1/2	16	7/8	5/8	
WXL300-4N4-90V-AA	WXL300E-4N4-90V-AA	3	2	4	4	8-3/16	2-1/2	4-1/2	17	7/8	1-1/8	

AFL's Dossert® product line offers a wide range of substation accessories in low voltage up to 765 kV applications in bronze or aluminum materials.

continued  
→

# TYPE WXL-90V-AA

## Expansion Terminal Connector

### Ordering Information (cont.)

Catalog Number		SPS	Fig. No.	Dimensions in Inches								
SCH 40	SCH 80			A	C	D	E	F	L	T	X	
WXL350-2N-90V-AA	WXL350E-2N-90V-AA	3-1/2	1	3	3	9-3/4	2-1/2	4-1/2	17-5/16	7/8	5/8	
WXL350-4N-90V-AA	WXL350E-4N-90V-AA	3-1/2	2	3	3	9-3/4	2-1/2	4-1/2	17-5/16	7/8	5/8	
WXL350-4N4-90V-AA	WXL350E-4N4-90V-AA	3-1/2	2	4	4	9-3/4	2-1/2	4-1/2	18-5/16	7/8	1-1/8	
WXL350-6N4-90V-AA	WXL350E-6N4-90V-AA	3-1/2	3	6	4	9-3/4	2 1/2	4 1/2	18 5/16	3/4	1 1/8	
WXL400-2N-90V-AA	WXL400E-2N-90V-AA	4	1	3	3	10	2-1/2	4-1/2	18	1	5/8	
WXL400-4N-90V-AA	WXL400E-4N-90V-AA	4	2	3	3	10	2-1/2	4-1/2	18	1	5/8	
WXL400-4N4-90V-AA	WXL400E-4N4-90V-AA	4	2	4	4	10	2-1/2	4-1/2	19	1	1-1/8	
WXL400-6N4-90V-AA	WXL400E-6N4-90V-AA	4	3	6	4-1/2	10	2-1/2	4-1/2	16-1/2	3/4	1-1/8	
WXL500-4N-90V-AA	WXL500E-4N-90V-AA	5	2	3	3	10	2-1/2	4-1/2	18	1-1/4	5/8	
WXL500-4N4-90V-AA	WXL500E-4N4-90V-AA	5	2	4	4	10	2-1/2	4-1/2	19	1-1/4	1-1/8	
WXL500-6N4-90V-AA	WXL500E-6N4-90V-AA	5	3	6	4	10	2-1/2	4-1/2	19	1-1/4	1-1/8	
WXL600-4N-90V-AA	WXL600E-4N-90V-AA	6	2	3	3	6-9/16	2-1/2	5-3/16	13-9/16	1-1/8	5/8	
WXL600-4N4-90V-AA	WXL600E-4N4-90V-AA	6	2	4	4	6-9/16	2-1/2	5-3/16	14-9/16	1-1/8	1-1/8	
WXL600-6N4-90V-AA	WXL600E-6N4-90V-AA	6	3	6	4	6-9/16	2-1/2	5-3/16	14-9/16	1-1/8	1-1/8	
WXL600-8N4-90V-AA	WXL600E-8N4-90V-AA	6	4	8	4	6-9/16	2 1/2	5-3/16	14-9/16	1	1 1/8	