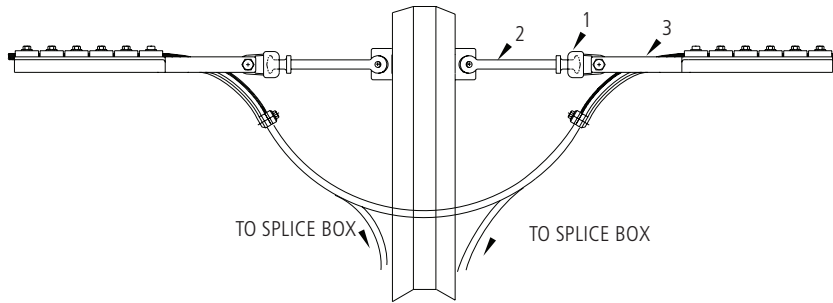


# OPGW Double Dead End Steel Pole/Vang Configuration Assemblies



AFL NO.

**OSPDD3**

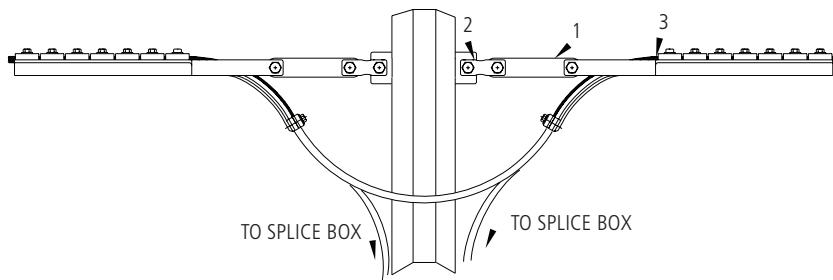
Assembly Code

- **DNOXXXX**

Cable Spec. Number

## Bill of Material

Item	Description	Material	AFL or Dwg. No.	Req'd	Remarks
1	Socket Eye	Galvanized Steel	SE-BDE	2	
2	Y-Clevis Ball Hot Link	Galvanized Steel	YCBHL	2	Pin Dia. = 0.75" (19 mm)
3	Bolted Deadend (Included)	Aluminum	Determined by AFL	2	



AFL NO.

**OSPDD4**

Assembly Code

- **DNOXXXX**

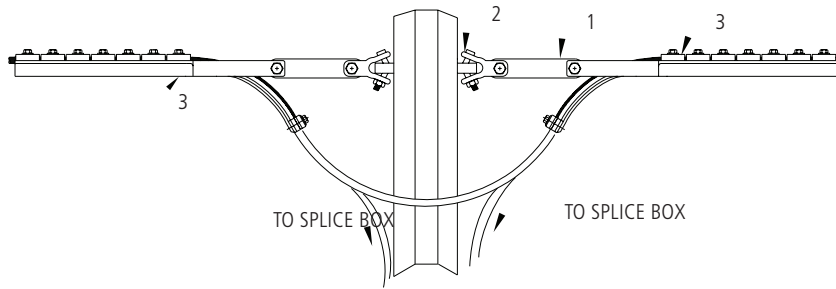
Cable Spec. Number

## Bill of Material

Item	Description	Material	AFL or Dwg. No.	Req'd	Remarks
1	Link Plate	Aluminum	ODELP10	2	
2	Y-Clevis Clevis	Galvanized Steel	YCC	2	Pin Dia. = 0.75" (19 mm)
3	Bolted Deadend (Included)	Aluminum	Determined by AFL	2	

*continued*

# OPGW Double Dead End Steel Pole/Vang Configuration Assemblies (cont.)



AFL NO.

**OSPDD5**

Assembly Code

**DNOXXXX**

Cable Spec. Number

## Bill of Material

Item	Description	Material	AFL or Dwg. No.	Req'd	Remarks
1	Link Plate	Aluminum	ODELP10	2	
2	Y-Clevis Clevis 90°	Galvanized Steel	YCC-90	2	Pin Dia. = 0.75" (19 mm)
3	Bolted Deadend (Included)	Aluminum	Determined by AFL	2	