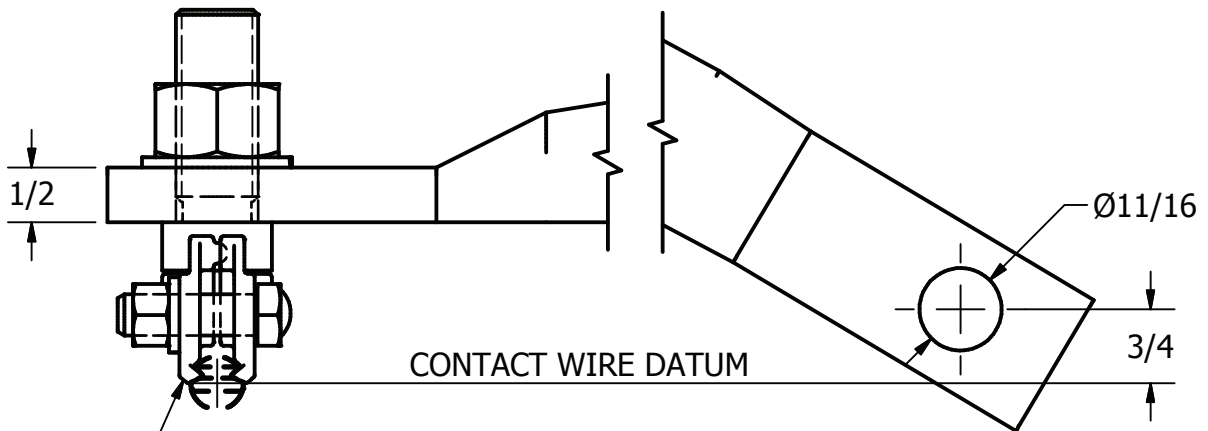
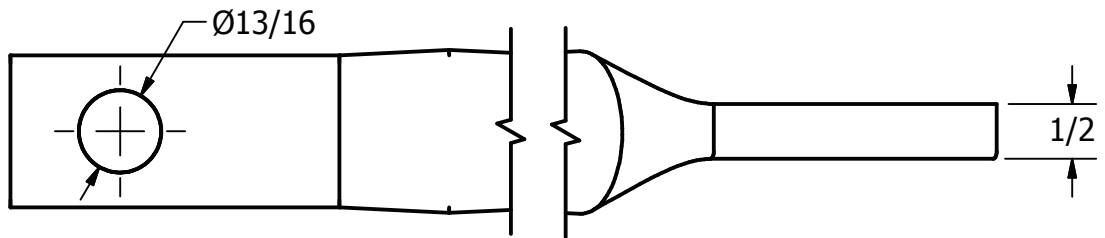
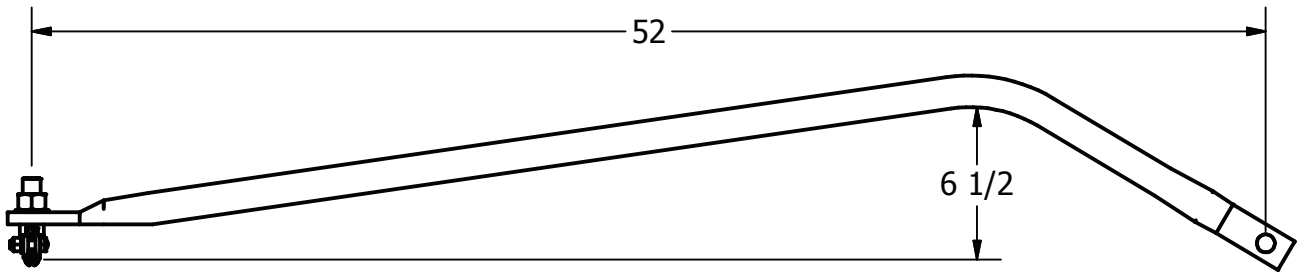


ITEM NO
DWG NO

THIS DRAWING AND ALL INFORMATION ON IT IS THE PROPERTY OF AFL. IT IS CONFIDENTIAL AND IT IS GIVEN TO YOU FOR A LIMITED PURPOSE AND MUST BE RETURNED UPON REQUEST. NEITHER THIS DRAWING OR ANY PART OF IT NOR ANY INFORMATION CONCERNING IT MAY BE COPIED, EXHIBITED, OR FURNISHED TO OTHERS NOR PHOTOGRAPHS TAKEN OF ANY ARTICLE FABRICATED OR ASSEMBLED FROM THE DRAWING WITHOUT THE CONSENT OF AFL.



MATERIAL
 SCH 40 STEEL PIPE ASTM A106
 GALVANIZED TO ASTM A123/A153

10 LB

LOCATION					CONTRACT NO		CUST / CONTR	
REVISIONS								
REV	DESCRIPTION	DATE	BY	APR	STEADY ARM WITH CW CLAMP			
					CSA100-433-F-TCDS			
					REV	0		1 OF 1
					DRN BY:	NF		
					DRN DATE:	5-5-10		
					CHK BY:	EP		
					CHK DATE:	5-5-10		