

TYPE SWXL-AA
Swage Expansion Bus Terminal

A Swage type expansion bus terminal.

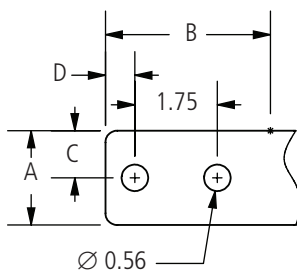
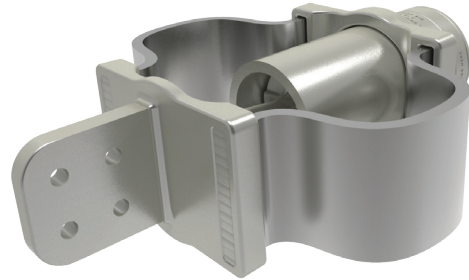
Material

Aluminum Alloy

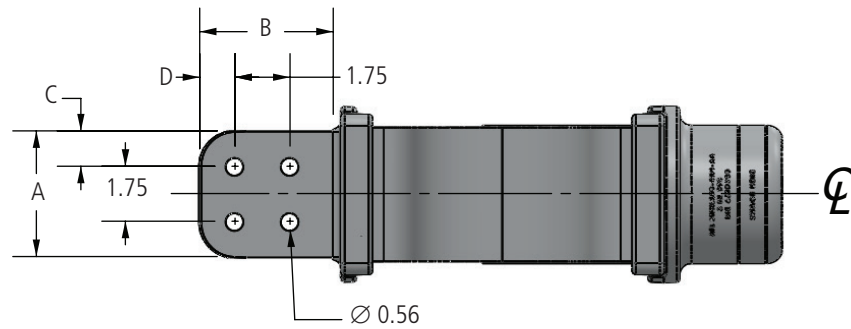
Notes

- Bore will be lined with AFL Filler compound (AFC) and capped.
- See General Information Section for this dimension.
- 5" and 6" SPS parts require double swages.

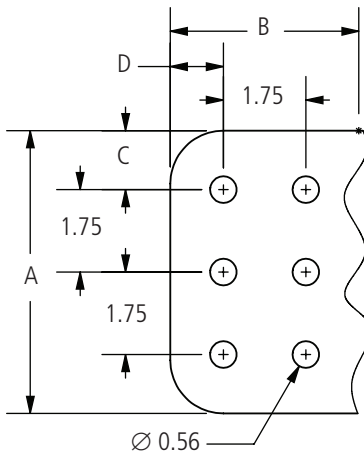
f—Machine Finish



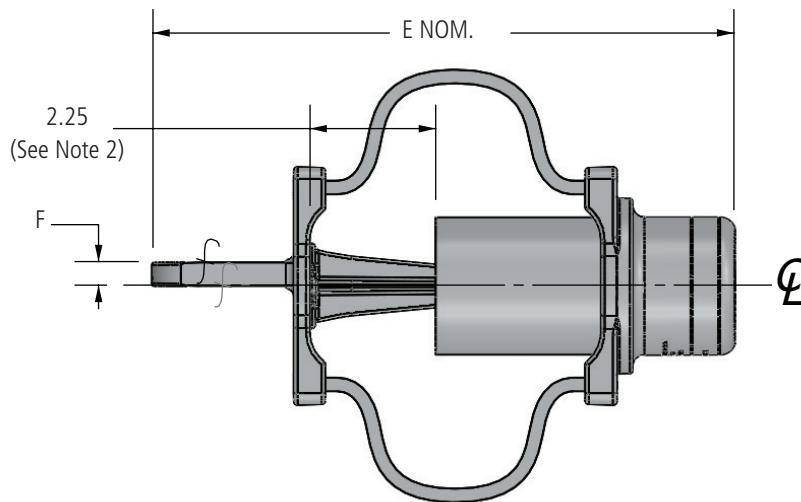
Detail 1



Detail 2



Detail 3



continued
→

TYPE SWXL-AA
Swage Expansion Bus Terminal

Ordering Information

AFL NO.	S.P.S.	PAD DETAIL	DIMENSIONS IN INCHES						DIE SIZE
			A	B	C	D	E	F	
SWXL100-2N-AA	1	1	2.00	3.25	1.00	0.63	15.69	0.38	65TD100
SWXL100-4N-AA	1	2	3.00	4.25	0.63	0.63	16.69	0.38	65TD100
SWXL100-4N4-AA	1	2	4.00	5.25	1.13	1.13	17.69	0.38	65TD100
SWXL125-2N-AA	1.25	1	2.00	3.25	1.00	0.63	15.69	0.50	65TD150
SWXL125-4N-AA	1.25	2	3.00	4.25	0.63	0.63	16.69	0.50	65TD150
SWXL125-4N4-AA	1.25	2	4.00	5.25	1.13	1.13	17.69	0.50	65TD150
SWXL150-2N-AA	1.5	1	2.00	3.25	1.00	0.63	15.69	0.50	65TD150
SWXL150-4N-AA	1.5	2	3.00	4.25	0.63	0.63	16.69	0.50	65TD150
SWXL150-4N4-AA	1.5	2	4.00	5.25	1.13	1.13	17.69	0.50	65TD150
SWXL200-2N-AA	2	1	2.00	3.25	1.00	0.63	15.69	0.75	65TD200
SWXL200-4N-AA	2	2	3.00	3.25	0.63	0.63	15.69	0.75	65TD200
SWXL200-4N4-AA	2	2	4.00	4.25	1.13	1.13	16.69	0.75	65TD200
SWXL250-2N-AA	2.5	1	2.00	3.25	1.00	0.63	15.69	0.75	65TD250
SWXL250-4N-AA	2.5	2	3.00	3.25	0.63	0.63	15.69	0.75	65TD250
SWXL250-4N4-AA	2.5	2	4.00	4.25	1.13	1.13	16.69	0.75	65TD250
SWXL300-2N-AA	3	1	2.00	3.25	1.00	0.63	15.75	0.75	65TD300
SWXL300-4N-AA	3	2	3.00	3.25	0.63	0.63	15.75	0.75	65TD300
SWXL300-4N4-AA	3	2	4.00	4.25	1.13	1.13	16.75	0.75	65TD300
SWXL350-2N-AA	3.5	1	2.00	3.25	1.00	0.63	15.75	0.75	65TD350
SWXL350-4N-AA	3.5	2	3.00	3.25	0.63	0.63	15.75	0.75	65TD350
SWXL350-4N4-AA	3.5	2	4.00	4.25	1.13	1.13	16.75	0.75	65TD350
SWXL400-4N-AA	4	2	3.00	3.25	0.63	0.63	15.88	1.00	65TD400
SWXL400-4N4-AA	4	2	4.00	4.25	1.13	1.13	16.88	1.00	65TD400
SWXL400-6N4-AA	4	3	6.00	4.25	1.25	1.13	16.88	1.00	65TD400
SWXL500-4N4-AA	5	2	4.00	4.25	1.13	1.13	19.44	1.13	85TD500
SWXL500-6N4-AA	5	3	6.00	4.25	1.25	1.13	19.44	1.13	85TD500
SWXL600-4N4-AA	6	2	4.00	4.25	1.13	1.13	22.00	1.13	115TD600
SWXL600-6N4-AA	6	3	6.00	4.25	1.25	1.13	22.00	1.13	115TD600

TYPE SWXL-V-AA

Swage Expansion Bus Terminal—High Voltage

A Swage type expansion bus terminal for high voltage.

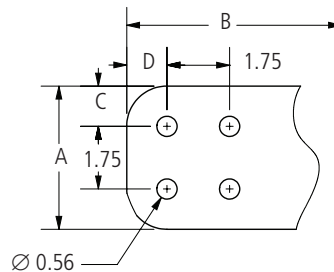
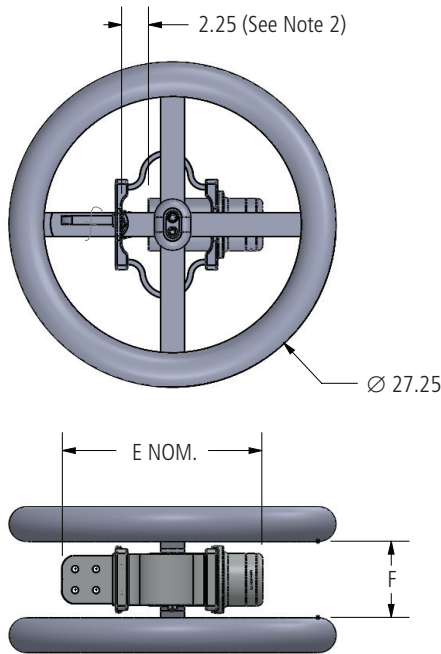
Material

Aluminum Alloy

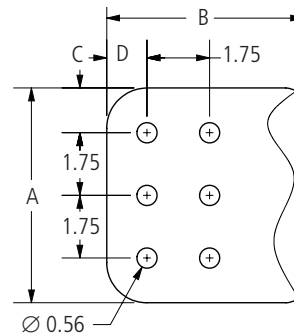
Notes

- Bore will be lined with AFL Filler compound (AFC) and capped.
- See General Information Section for this dimension.
- 5" and 6" S.P.S. parts require double swages

f—Machine Finish



Pad Detail 1



Pad Detail 2

Ordering Information

AFL NO.	S.P.S.	PAD DETAIL	DIMENSIONS IN INCHES						DIE SIZE
			A	B	C	D	E	F	
SWXL300-4N-V-AA	3	1	3.00	3.25	0.63	0.63	15.75	6.38	65TD300
SWXL300-4N4-V-AA	3	1	4.00	4.25	1.13	1.13	16.75	6.38	65TD300
SWXL350-4N-V-AA	3.5	1	3.00	3.25	0.63	0.63	15.75	6.38	65TD350
SWXL350-4N4-V-AA	3.5	1	4.00	4.25	1.13	1.13	16.75	6.38	65TD350
SWXL400-4N-V-AA	4	1	3.00	3.25	0.63	0.63	15.88	7.38	65TD400
SWXL400-4N4-V-AA	4	1	4.00	4.25	1.13	1.13	16.88	7.38	65TD400
SWXL500-4N4-V-AA	5	1	4.00	4.25	1.13	1.13	19.31	7.88	85TD500
SWXL500-6N4-V-AA	5	2	6.00	4.25	1.25	1.13	19.31	7.88	85TD500
SWXL600-4N4-V-AA	6	1	4.00	4.25	1.13	1.13	21.81	9.38	115TD600
SWXL600-6N4-V-AA	6	2	6.00	4.25	1.25	1.13	21.83	9.38	115TD600

TYPE SWXL-90V-AA

Swage Expansion Bus Terminal

A Swage type expansion bus terminal with 90 degree rotated NEMA pad.

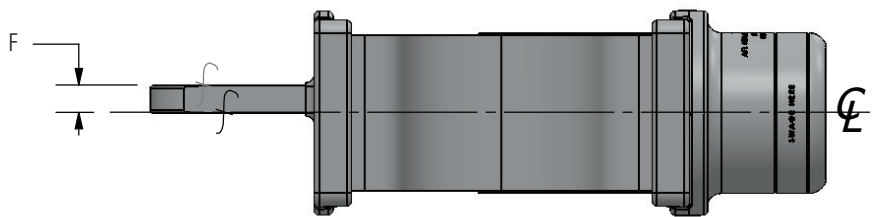
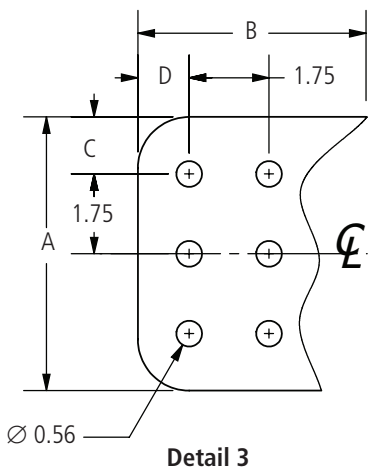
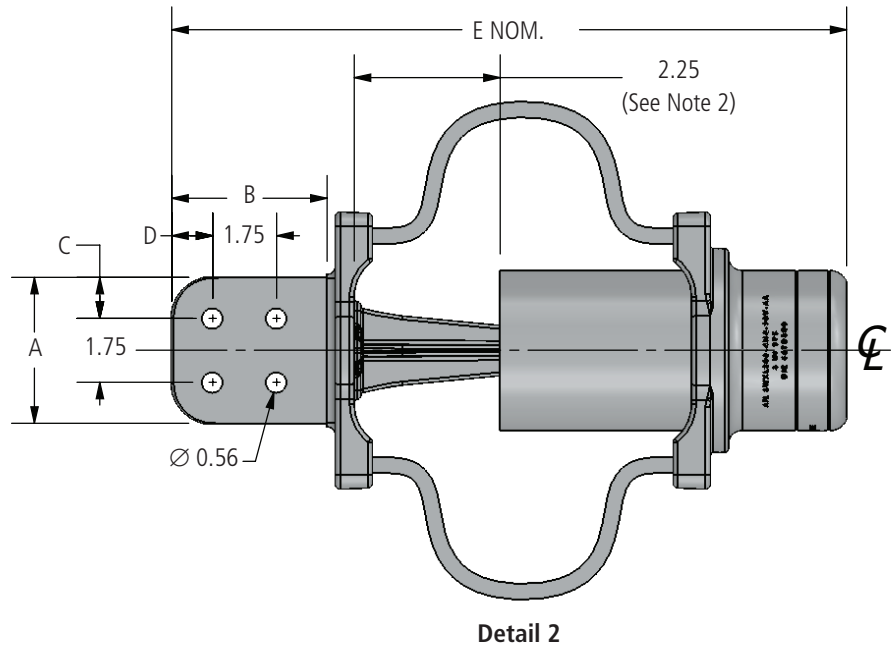
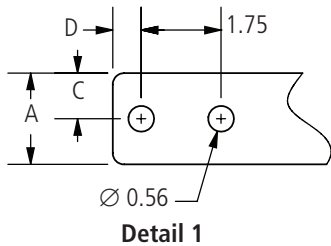
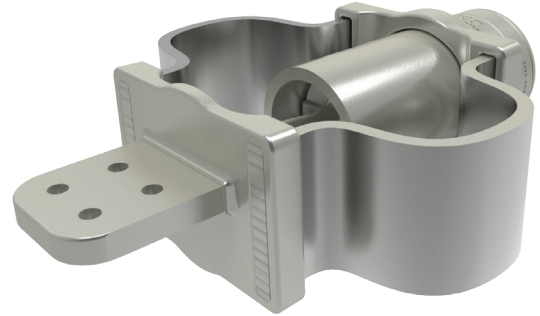
Material

Aluminum Alloy

Notes

- Bore will be lined with AFL Filler compound (AFC) and capped.
- See General Information Section for this dimension.
- 5" and 6" SPS parts require double swages.

f—Machine Finish



continued

TYPE SWXL-90V-AA

Swage Expansion Bus Terminal

Ordering Information

AFL NO.	S.P.S.	PAD DETAIL	DIMENSIONS IN INCHES						DIE SIZE
			A	B	C	D	E	F	
SWXL200-2N-90V-AA	2	1	2.00	3.25	1.00	0.63	15.69	0.75	65TD200
SWXL200-4N-90V-AA	2	2	3.00	3.25	0.63	0.63	15.69	0.75	65TD200
SWXL200-4N4-90V-AA	2	2	4.00	4.25	1.13	1.13	16.69	0.75	65TD200
SWXL250-2N-90V-AA	2.5	1	2.00	3.25	1.00	0.63	15.69	0.75	65TD250
SWXL250-4N-90V-AA	2.5	2	3.00	3.25	0.63	0.63	15.69	0.75	65TD250
SWXL250-4N4-90V-AA	2.5	2	4.00	4.25	1.13	1.13	16.69	0.75	65TD250
SWXL300-2N-90V-AA	3	1	2.00	3.25	1.00	0.63	15.75	0.75	65TD300
SWXL300-4N-90V-AA	3	2	3.00	3.25	0.63	0.63	15.75	0.75	65TD300
SWXL300-4N4-90V-AA	3	2	4.00	4.25	1.13	1.13	16.75	0.75	65TD300
SWXL350-2N-90V-AA	3.5	1	2.00	3.25	1.00	0.63	15.75	0.75	65TD350
SWXL350-4N-90V-AA	3.5	2	3.00	3.25	0.63	0.63	15.75	0.75	65TD350
SWXL350-4N4-90V-AA	3.5	2	4.00	4.25	1.13	1.13	16.75	0.75	65TD350
SWXL400-4N-90V-AA	4	2	3.00	3.25	0.63	0.63	15.88	1.00	65TD400
SWXL400-4N4-90V-AA	4	2	4.00	4.25	1.13	1.13	16.88	1.00	65TD400
SWXL500-4N4-90V-AA	5	2	4.00	4.25	1.13	1.13	19.44	1.13	85TD500
SWXL500-6N4-90V-AA	5	3	6.00	4.25	1.25	1.13	19.44	1.13	85TD500
SWXL600-4N4-90V-AA	6	2	4.00	4.25	1.13	1.13	22.00	1.13	115TD600
SWXL600-6N4-90V-AA	6	3	6.00	4.25	1.25	1.13	22.00	1.13	115TD600

TYPE SWXL-90V-V-AA Swage Expansion Bus Terminal—High Voltage

A Swage type expansion bus terminal with a 90-degree rotated NEMA pad for high voltage.

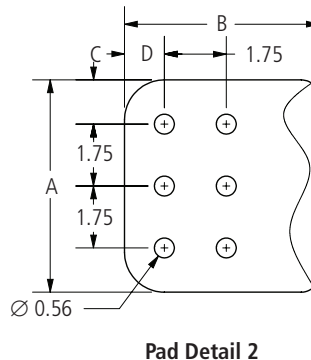
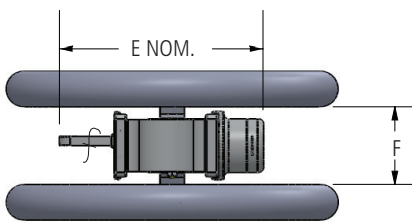
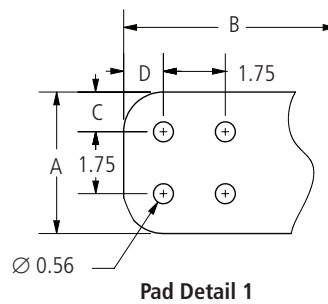
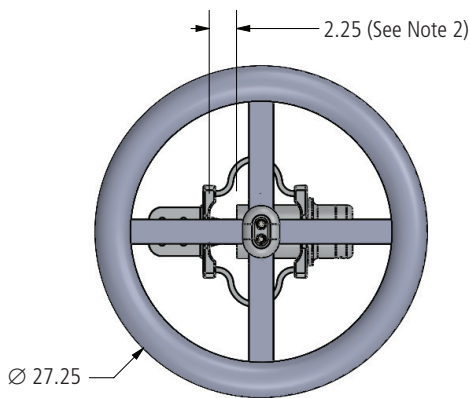
Material

Aluminum Alloy

Notes

- Bore will be lined with AFL Filler compound (AFC) and capped.
- See General Information Section for this dimension.
- 5" and 6" S.P.S. parts require double swages

f—Machine Finish



Ordering Information

AFL NO.	S.P.S.	PAD DETAIL	DIMENSIONS IN INCHES						DIE SIZE
			A	B	C	D	E	F	
SWXL300-4N-90V-V-AA	3	1	3.00	3.25	0.63	0.63	15.75	6.38	65TD300
SWXL300-4N4-90V-V-AA	3	1	4.00	4.25	1.13	1.13	16.75	6.38	65TD300
SWXL350-4N-90V-V-AA	3.5	1	3.00	3.25	0.63	0.63	15.75	6.38	65TD350
SWXL350-4N4-90V-V-AA	3.5	1	4.00	4.25	1.13	1.13	16.75	6.38	65TD350
SWXL400-4N-90V-V-AA	4	1	3.00	3.25	0.63	0.63	15.88	7.38	65TD400
SWXL400-4N4-90V-V-AA	4	1	4.00	4.25	1.13	1.13	16.88	7.38	65TD400
SWXL500-4N4-90V-V-AA	5	1	4.00	4.25	1.13	1.13	19.31	7.88	85TD500
SWXL500-6N4-90V-V-AA	5	2	6.00	4.25	1.25	1.13	19.31	7.88	85TD500
SWXL600-4N4-90V-V-AA	6	1	4.00	4.25	1.13	1.13	21.83	9.38	115TD600
SWXL600-6N4-90V-V-AA	6	2	6.00	4.25	1.25	1.13	21.83	9.38	115TD600

TYPE SWXL-90-AA

Swage Expansion Bus Terminal

A Swage type 90 degree expansion bus terminal.

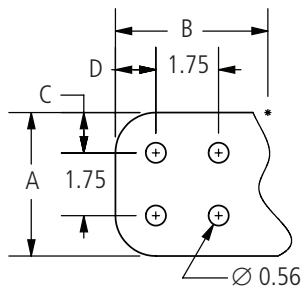
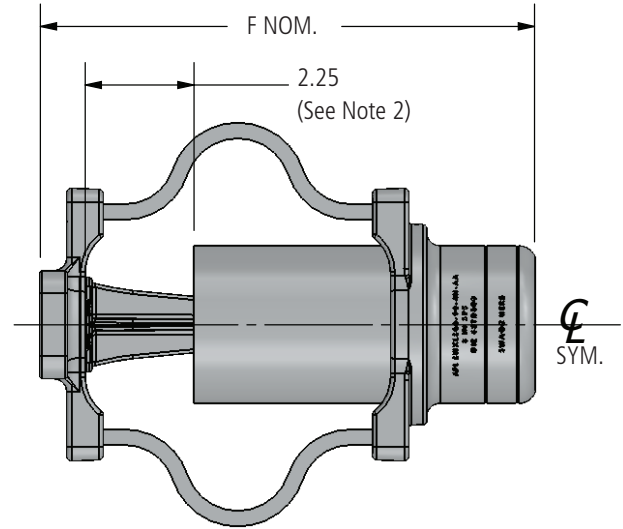
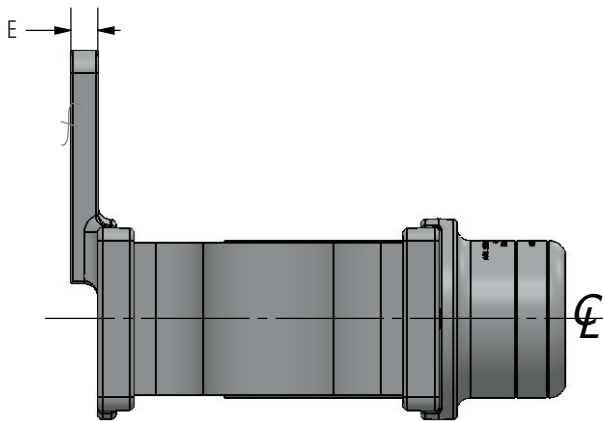
Material

Aluminum Alloy

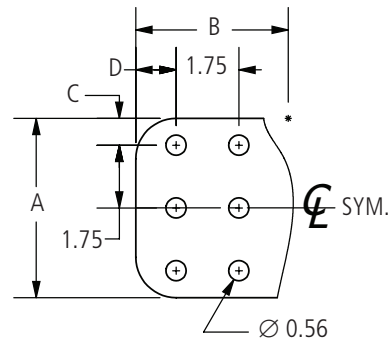
Notes

- Bore will be lined with AFL Filler compound (AFC) and capped.
- See General Information Section for this dimension.
- 5" and 6" SPS parts require double swages.

f—Machine Finish



Detail 1



Detail 2

continued
→

TYPE SWXL-90-AA

Swage Expansion Bus Terminal

Ordering Information

AFL NO.	S.P.S.	PAD DETAIL	DIMENSIONS IN INCHES						DIE SIZE
			A	B	C	D	E	F	
SWXL200-4N-90-AA	2	1	3.00	3.50	0.63	0.63	0.50	12.69	65TD200
SWXL200-4N4-90-AA	2	1	4.00	4.50	1.13	1.13	0.50	12.69	65TD200
SWXL250-4N-90-AA	2.5	1	3.00	3.50	0.63	0.63	0.63	12.81	65TD250
SWXL250-4N4-90-AA	2.5	1	4.00	4.50	1.13	1.13	0.63	12.81	65TD250
SWXL300-4N-90-AA	3	1	3.00	3.50	0.63	0.63	0.75	13.00	65TD300
SWXL300-4N4-90-AA	3	1	4.00	4.50	1.13	1.13	0.75	13.00	65TD300
SWXL300-5N4-90-AA	3	2	5.00	4.50	0.75	1.13	0.75	13.00	65TD300
SWXL350-4N-90-AA	3.5	1	3.00	3.50	0.63	0.63	0.75	13.00	65TD350
SWXL350-4N4-90-AA	3.5	1	4.00	4.50	1.13	1.13	0.75	13.00	65TD350
SWXL350-5N4-90-AA	3.5	2	5.00	4.50	0.75	1.13	0.75	13.00	65TD350
SWXL350-6N4-90-AA	3.5	2	6.00	4.50	1.25	1.13	0.75	13.00	65TD350
SWXL400-4N-90-AA	4	1	3.00	3.50	0.63	0.63	0.75	13.13	65TD400
SWXL400-4N4-90-AA	4	1	4.00	4.50	1.13	1.13	0.75	13.13	65TD400
SWXL400-5N4-90-AA	4	2	5.00	4.50	0.75	1.13	0.75	13.13	65TD400
SWXL400-6N4-90-AA	4	2	6.00	4.50	1.25	1.13	0.75	13.13	65TD400
SWXL500-4N4-90-AA	5	1	4.00	4.50	1.13	1.13	1.00	15.94	85TD500
SWXL500-5N4-90-AA	5	2	5.00	4.50	0.75	1.13	1.00	15.94	85TD500
SWXL500-6N4-90-AA	5	2	6.00	4.50	1.25	1.13	1.00	15.94	85TD500
SWXL600-4N4-90-AA	6	1	4.00	4.50	1.13	1.13	1.00	18.19	115TD600
SWXL600-5N4-90-AA	6	2	5.00	4.50	0.75	1.13	1.00	18.19	115TD600
SWXL600-6N4-90-AA	6	2	6.00	4.50	1.25	1.13	1.00	18.19	115TD600

TYPE SWXLO-AA, SWXLO-90V-AA

Swage Offset Expansion Bus Terminal

A Swage type offset expansion bus terminal. This is also available with an offset 90 degree vertical pad configuration.

Material

Aluminum Alloy

Notes

- Bore will be lined with AFL Filler compound (AFC) and capped.
- See General Information Section for this dimension.
- 5" and 6" SPS parts require double swages.

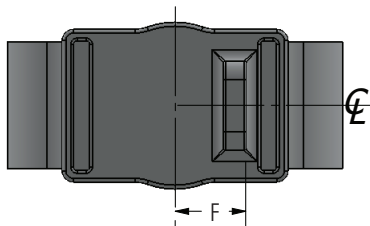
f—Machine Finish



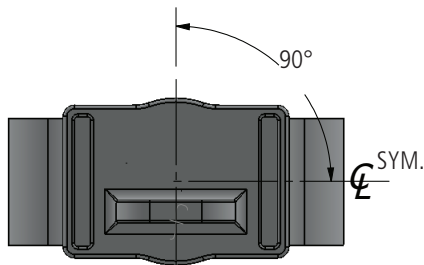
SWXLO-90V-AA



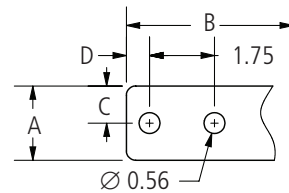
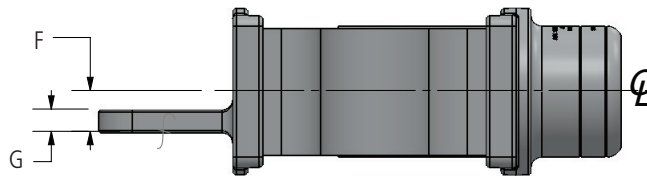
SWXLO-AA



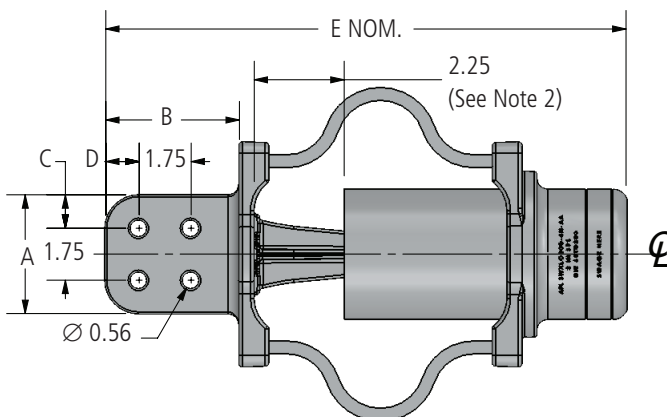
SWXLO-AA



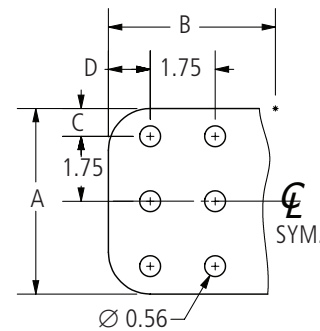
SWXLO-90V-AA



DETAIL 1



DETAIL 2



DETAIL 3

continued

TYPE SWXLO-AA, SWXLO-90V-AA

Swage Offset Expansion Bus Terminal

Ordering Information

AFL NO.	S.P.S.	PAD DETAIL	DIMENSIONS IN INCHES							DIE SIZE
			A	B	C	D	E	F	G	
SWXLO200-2N-AA	2	1	2.00	4.50	1.00	0.63	16.69	1.75	0.75	65TD200
SWXLO200-4N-AA	2	2	3.00	4.50	0.63	0.63	16.69	1.75	0.75	65TD200
SWXLO200-4N4-AA	2	2	4.00	5.50	1.13	1.13	17.69	1.75	0.75	65TD200
SWXLO250-2N-AA	2.5	1	2.00	4.50	1.00	0.63	16.69	2.00	0.75	65TD250
SWXLO250-4N-AA	2.5	2	3.00	4.50	0.63	0.63	16.69	2.00	0.75	65TD250
SWXLO250-4N4-AA	2.5	2	4.00	5.50	1.13	1.13	17.69	2.00	0.75	65TD250
SWXLO250-5N4-AA	2.5	3	5.00	5.50	0.75	1.13	17.69	2.00	0.75	65TD250
SWXLO300-2N-AA	3	1	2.00	4.50	1.00	0.63	16.75	2.38	0.75	65TD300
SWXLO300-4N-AA	3	2	3.00	4.50	0.63	0.63	16.75	2.38	0.75	65TD300
SWXLO300-4N4-AA	3	2	4.00	5.50	1.13	1.13	17.75	2.38	0.75	65TD300
SWXLO300-5N4-AA	3	3	5.00	5.50	0.75	1.13	17.75	2.38	0.75	65TD300
SWXLO350-2N-AA	3.5	1	2.00	4.50	1.25	0.63	16.75	2.63	0.75	65TD350
SWXLO350-4N-AA	3.5	2	3.00	4.50	0.63	0.63	16.75	2.63	0.75	65TD350
SWXLO350-4N4-AA	3.5	2	4.00	5.50	1.13	1.13	17.75	2.63	0.75	65TD350
SWXLO350-5N4-AA	3.5	3	5.00	5.50	0.75	1.13	17.75	2.63	0.75	65TD350
SWXLO350-6N4-AA	3.5	3	6.00	5.50	1.25	1.13	17.75	2.63	0.75	65TD350
SWXLO400-4N-AA	4	2	3.00	4.50	0.63	0.63	16.88	2.88	0.75	65TD400
SWXLO400-4N4-AA	4	2	4.00	5.50	1.13	1.13	17.88	2.88	0.75	65TD400
SWXLO400-5N4-AA	4	3	5.00	5.50	0.75	1.13	17.88	2.88	0.75	65TD400
SWXLO400-6N4-AA	4	3	6.00	5.50	1.25	1.13	17.88	2.88	0.75	65TD400
SWXLO500-4N4-AA	5	2	4.00	5.50	1.13	1.13	20.94	3.38	1.00	85TD500
SWXLO500-5N4-AA	5	3	5.00	5.50	0.75	1.13	20.94	3.38	1.00	85TD500
SWXLO500-6N4-AA	5	3	6.00	5.50	1.25	1.13	20.94	3.38	1.00	85TD500
SWXLO600-4N4-AA	6	2	4.00	5.50	1.13	1.13	22.94	4.00	1.00	115TD600
SWXLO600-5N4-AA	6	3	5.00	5.50	0.75	1.13	22.94	4.00	1.00	115TD600
SWXLO600-6N4-AA	6	3	6.00	5.50	1.25	1.13	22.94	4.00	1.00	115TD600
SWXLO200-2N-90V-AA	2	1	2.00	4.50	1.00	0.63	16.69	1.75	0.75	65TD200
SWXLO200-4N-90V-AA	2	2	3.00	4.50	0.63	0.63	16.69	1.75	0.75	65TD200
SWXLO200-4N4-90V-AA	2	2	4.00	5.50	1.13	1.13	17.69	1.75	0.75	65TD200
SWXLO250-2N-90V-AA	2.5	1	2.00	4.50	1.00	0.63	16.69	2.00	0.75	65TD250
SWXLO250-4N-90V-AA	2.5	2	3.00	4.50	0.63	0.63	16.69	2.00	0.75	65TD250
SWXLO250-4N4-90V-AA	2.5	2	4.00	5.50	1.13	1.13	17.69	2.00	0.75	65TD250
SWXLO250-5N4-90V-AA	2.5	3	5.00	5.50	0.75	1.13	17.69	2.00	0.75	65TD250
SWXLO300-2N-90V-AA	3	1	2.00	4.50	1.00	0.63	16.75	2.38	0.75	65TD300
SWXLO300-4N-90V-AA	3	2	3.00	4.50	0.63	0.63	16.75	2.38	0.75	65TD300
SWXLO300-4N4-90V-AA	3	2	4.00	5.50	1.13	1.13	17.75	2.38	0.75	65TD300
SWXLO300-5N4-90V-AA	3	3	5.00	5.50	0.75	1.13	17.75	2.38	0.75	65TD300
SWXLO350-2N-90V-AA	3.5	1	2.00	4.50	1.25	0.63	16.75	2.63	0.75	65TD350
SWXLO350-4N-90V-AA	3.5	2	3.00	4.50	0.63	0.63	16.75	2.63	0.75	65TD350
SWXLO350-4N4-90V-AA	3.5	2	4.00	5.50	1.13	1.13	17.75	2.63	0.75	65TD350
SWXLO350-5N4-90V-AA	3.5	3	5.00	5.50	0.75	1.13	17.75	2.63	0.75	65TD350
SWXLO350-6N4-90V-AA	3.5	3	6.00	5.50	1.25	1.13	17.75	2.63	0.75	65TD350
SWXLO400-4N-90V-AA	4	2	3.00	4.50	0.63	0.63	16.88	2.88	0.75	65TD400
SWXLO400-4N4-90V-AA	4	2	4.00	5.50	1.13	1.13	17.88	2.88	0.75	65TD400
SWXLO400-5N4-90V-AA	4	3	5.00	5.50	0.75	1.13	17.88	2.88	0.75	65TD400
SWXLO400-6N4-90V-AA	4	3	6.00	5.50	1.25	1.13	17.88	2.88	0.75	65TD400
SWXLO500-4N4-90V-AA	5	2	4.00	5.50	1.13	1.13	20.94	3.38	1.00	85TD500
SWXLO500-5N4-90V-AA	5	3	5.00	5.50	0.75	1.13	20.94	3.38	1.00	85TD500
SWXLO500-6N4-90V-AA	5	3	6.00	5.50	1.25	1.13	20.94	3.38	1.00	85TD500
SWXLO600-4N4-90V-AA	6	2	4.00	5.50	1.13	1.13	22.94	4.00	1.00	115TD600
SWXLO600-5N4-90V-AA	6	3	5.00	5.50	0.75	1.13	22.94	4.00	1.00	115TD600
SWXLO600-6N4-90V-AA	6	3	6.00	5.50	1.25	1.13	22.94	4.00	1.00	115TD600

TYPE SWXLS-AA

Swage Expansion Bus Terminal—Short

A Swage type short expansion bus terminal to NEMA pad. Also available with a 90 degree rotated NEMA pad.

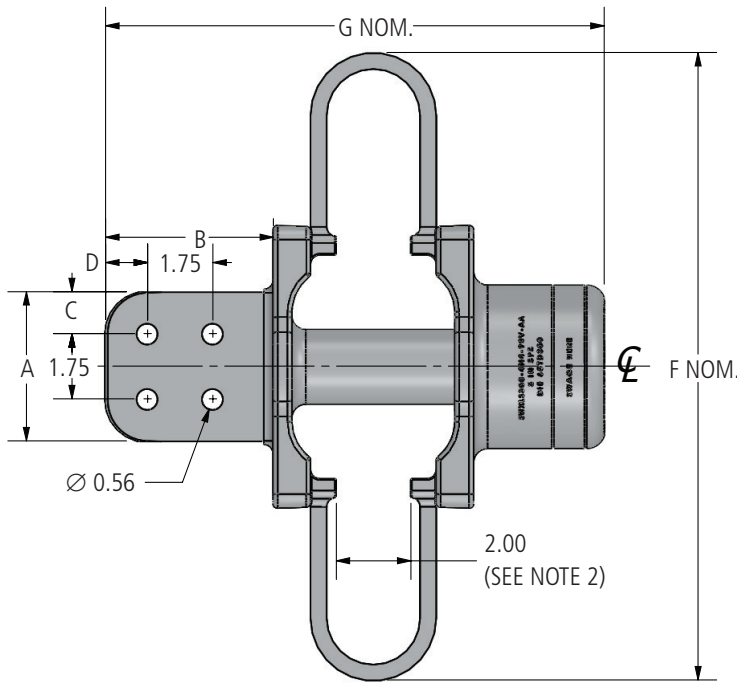
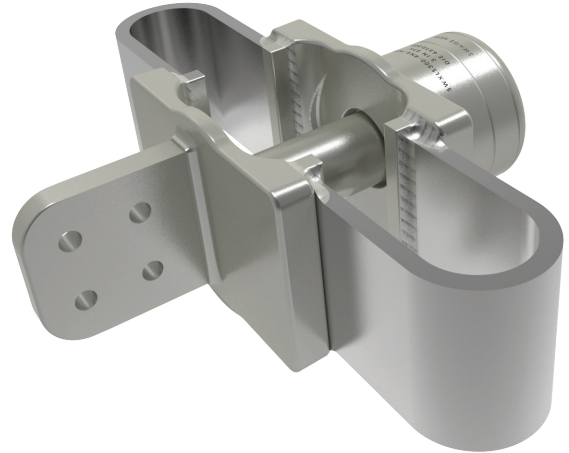
Material

Aluminum Alloy

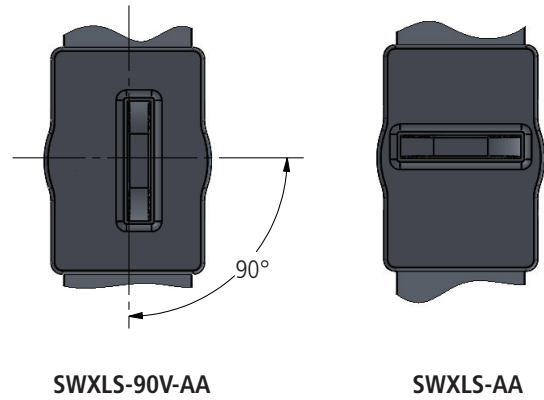
Notes

- Bore will be lined with AFL Filler compound (AFC) and capped.
- See General Information Section for this dimension.

f—Machine Finish

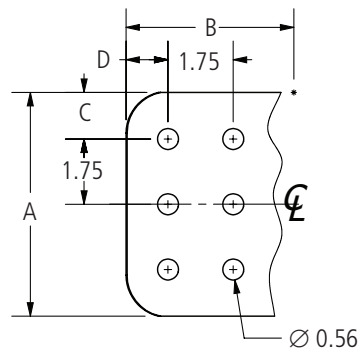
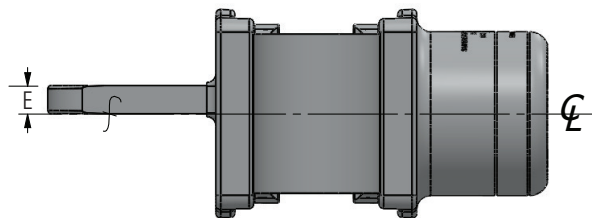


Detail 1



SWXLS-90V-AA

SWXLS-AA



Detail 2

continued

TYPE SWXLS-AA

Swage Expansion Bus Terminal—Short

Ordering Information

AFL NO.	S.P.S.	PAD DETAIL	DIMENSIONS IN INCHES							DIE SIZE
			A	B	C	D	E	F	G	
SWXLS200-4N-AA	2	1	3.00	3.50	0.63	0.63	0.75	15.83	12.50	65TD200
SWXLS200-4N4-AA	2	1	4.00	4.50	1.13	1.13	0.75	15.83	13.50	65TD200
SWXLS250-4N-AA	2.5	1	3.00	3.50	0.63	0.63	0.75	16.64	12.75	65TD250
SWXLS250-4N4-AA	2.5	1	4.00	4.50	1.13	1.13	0.75	16.64	13.75	65TD250
SWXLS300-4N-AA	3	1	3.00	3.50	0.63	0.63	0.75	16.83	12.37	65TD300
SWXLS300-4N4-AA	3	1	4.00	4.50	1.13	1.13	0.75	16.83	13.37	65TD300
SWXLS300-5N4-AA	3	2	5.00	4.50	0.75	1.13	0.75	16.83	13.37	65TD300
SWXLS350-4N-AA	3.5	1	3.00	3.50	0.63	0.63	0.75	16.83	12.37	65TD350
SWXLS350-4N4-AA	3.5	1	4.00	4.50	1.13	1.13	0.75	16.83	13.37	65TD350
SWXLS400-4N-AA	4	1	3.00	3.50	0.63	0.63	1.00	17.22	12.59	65TD400
SWXLS400-4N4-AA	4	1	4.00	4.50	1.13	1.13	1.00	17.22	13.59	65TD400
SWXLS400-5N4-AA	4	2	5.00	4.50	0.75	1.13	1.00	17.22	13.59	65TD400
SWXLS400-6N4-AA	4	2	6.00	4.50	1.25	1.13	1.00	17.22	13.59	65TD400
SWXLS200-4N-90V-AA	2	1	3.00	3.50	0.63	0.63	0.75	15.83	12.50	65TD200
SWXLS200-4N4-90V-AA	2	1	4.00	4.50	1.13	1.13	0.75	15.83	13.50	65TD200
SWXLS250-4N-90V-AA	2.5	1	3.00	3.50	0.63	0.63	0.75	16.64	12.75	65TD250
SWXLS250-4N4-90V-AA	2.5	1	4.00	4.50	1.13	1.13	0.75	16.64	13.75	65TD250
SWXLS300-4N-90V-AA	3	1	3.00	3.50	0.63	0.63	0.75	16.83	12.37	65TD300
SWXLS300-4N4-90V-AA	3	1	4.00	4.50	1.13	1.13	0.75	16.83	13.37	65TD300
SWXLS300-5N4-90V-AA	3	2	5.00	4.50	0.75	1.13	0.75	16.83	13.37	65TD300
SWXLS350-4N-90V-AA	3.5	1	3.00	3.50	0.63	0.63	0.75	16.83	12.37	65TD350
SWXLS350-4N4-90V-AA	3.5	1	4.00	4.50	1.13	1.13	0.75	16.83	13.37	65TD350
SWXLS400-4N-90V-AA	4	1	3.00	3.50	0.63	0.63	1.00	17.22	12.59	65TD400
SWXLS400-4N4-90V-AA	4	1	4.00	4.50	1.13	1.13	1.00	17.22	13.59	65TD400
SWXLS400-5N4-90V-AA	4	2	5.00	4.50	0.75	1.13	1.00	17.22	13.59	65TD400
SWXLS400-6N4-90V-AA	4	2	6.00	4.50	1.25	1.13	1.00	17.22	13.59	65TD400

TYPE SWXTS-AA

Swage Vertical Bus Expansion

A Swage type vertical bus expansion with a NEMA pad.

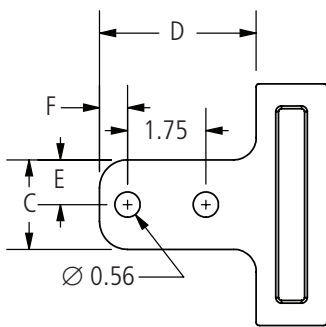
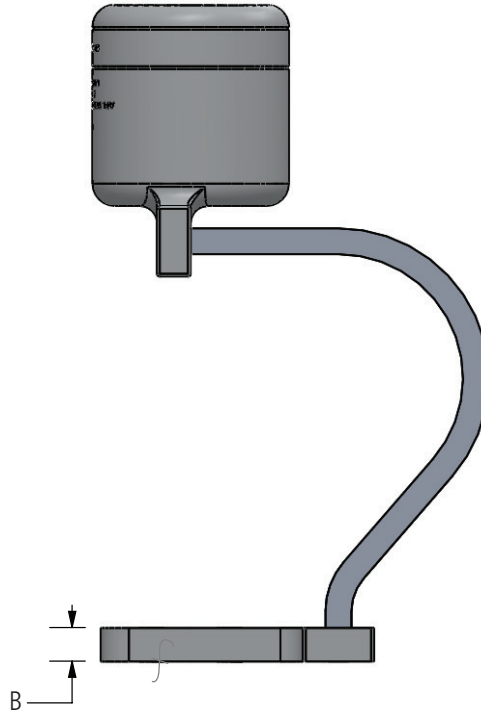
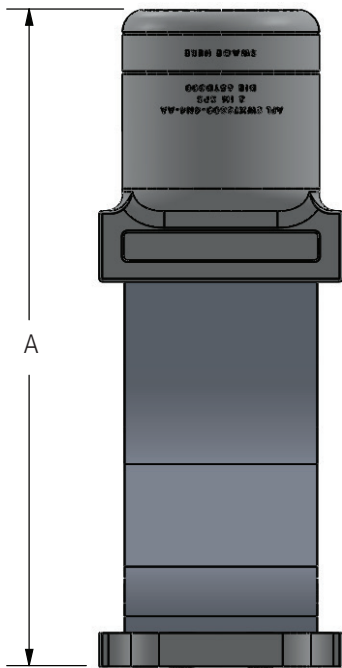
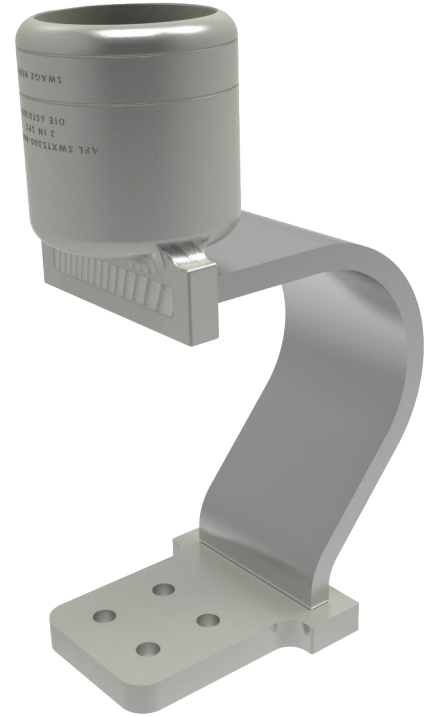
Material

Aluminum Alloy

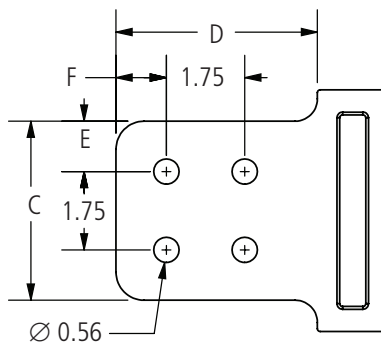
Notes

- Bore will be lined with AFL Filler compound (AFC) and capped.

f—Machine Finish



DETAIL 1



DETAIL 2

continued

TYPE SWXTS-AA

Swage Vertical Bus Expansion

Ordering Information

AFL NO.	S.P.S.	PAD DETAIL	DIMENSIONS IN INCHES						DIE SIZE
			A	B	C	D	E	F	
SWXTS100-2N-AA	1	1	13.07	0.38	2.00	3.50	1.00	0.63	65TD100
SWXTS100-4N-AA	1	2	13.07	0.38	3.00	3.50	0.63	0.63	65TD100
SWXTS100-4N4-AA	1	2	13.07	0.38	4.00	4.50	1.13	1.13	65TD100
SWXTS150-2N-AA	1.5	1	13.29	0.50	2.00	3.50	1.00	0.63	65TD150
SWXTS150-4N-AA	1.5	2	13.29	0.50	3.00	3.50	0.63	0.63	65TD150
SWXTS150-4N4-AA	1.5	2	13.29	0.50	4.00	4.50	1.13	1.13	65TD150
SWXTS200-2N-AA	2	1	13.92	0.50	2.00	3.50	1.00	0.63	65TD200
SWXTS200-4N-AA	2	2	13.92	0.50	3.00	3.50	0.63	0.63	65TD200
SWXTS200-4N4-AA	2	2	13.92	0.50	4.00	4.50	1.13	1.13	65TD200
SWXTS250-2N-AA	2.5	1	13.95	0.63	2.00	3.50	1.00	0.63	65TD250
SWXTS250-4N-AA	2.5	2	13.95	0.63	3.00	3.50	0.63	0.63	65TD250
SWXTS250-4N4-AA	2.5	2	13.95	0.63	4.00	4.50	1.13	1.13	65TD250
SWXTS300-2N-AA	3	1	14.67	0.75	2.00	3.50	1.00	0.63	65TD300
SWXTS300-4N-AA	3	2	14.67	0.75	3.00	3.50	0.63	0.63	65TD300
SWXTS300-4N4-AA	3	2	14.67	0.75	4.00	4.50	1.13	1.13	65TD300
SWXTS350-4N-AA	3.5	2	14.76	0.75	3.00	3.50	0.63	0.63	65TD350
SWXTS350-4N4-AA	3.5	2	14.76	0.75	4.00	4.50	1.13	1.13	65TD350
SWXTS400-4N-AA	4	2	14.86	0.75	3.00	3.50	0.63	0.63	65TD400
SWXTS400-4N4-AA	4	2	14.86	0.75	4.00	4.50	1.13	1.13	65TD400