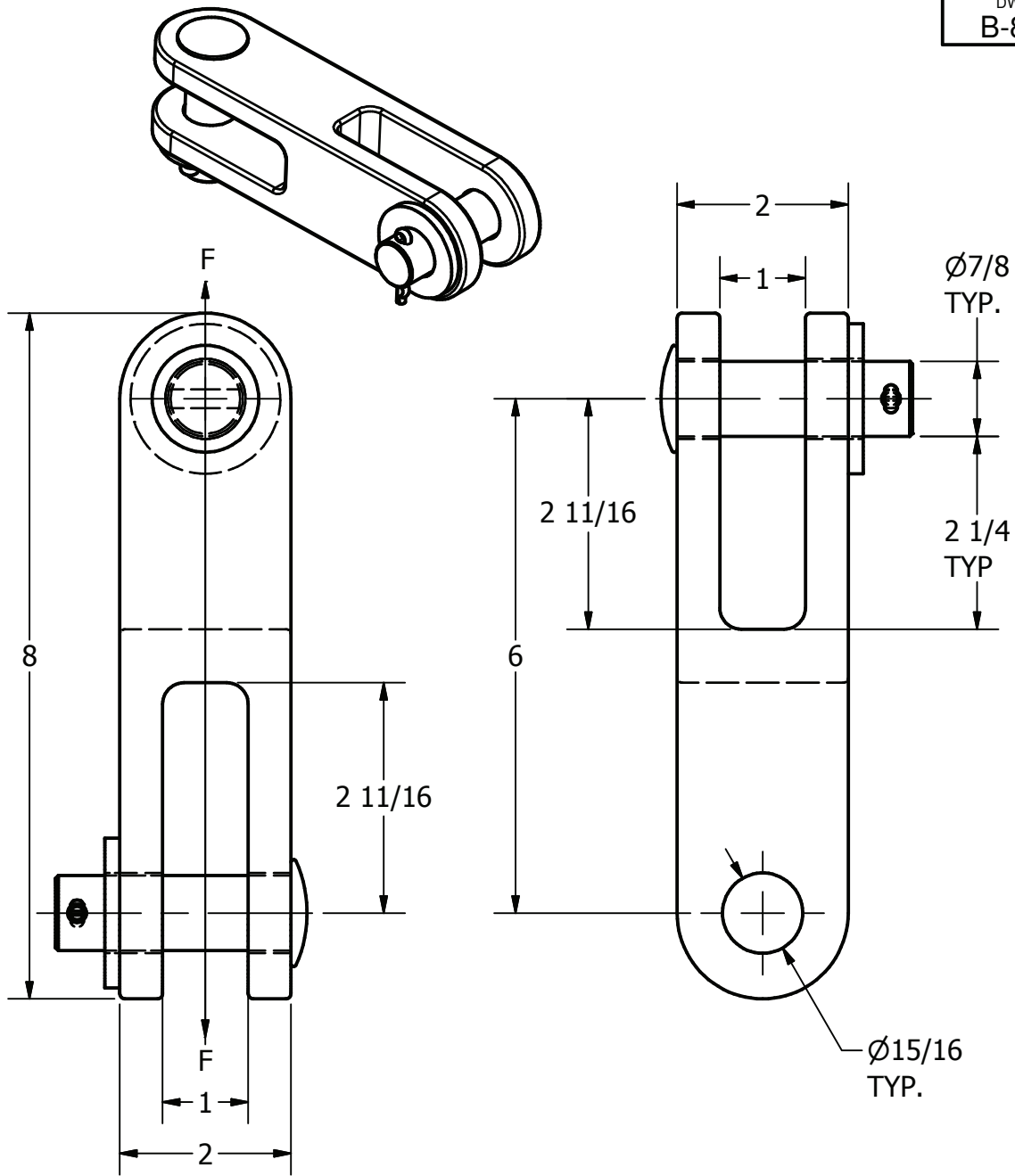


ITEM NO

DWG NO
B-8230

THIS DRAWING AND ALL INFORMATION ON IT IS THE PROPERTY OF AFL. IT IS CONFIDENTIAL AND IT IS GIVEN TO YOU FOR A LIMITED PURPOSE AND MUST BE RETURNED UPON REQUEST. NEITHER THIS DRAWING OR ANY PART OF IT NOR ANY INFORMATION CONCERNING IT MAY BE COPIED, EXHIBITED, OR FURNISHED TO OTHERS NOR PHOTOGRAPHS TAKEN OF ANY ARTICLE FABRICATED OR ASSEMBLED FROM THE DRAWING WITHOUT THE CONSENT OF AFL.



MATERIAL:
 ALUMINUM BRONZE ASTM B30
 CLEVIS PIN-GALVANIZED STEEL
 COTTER KEY-STAINLESS STEEL

MIN ULTIMATE STRENGTH LOAD:
 "F" =32,890 LBS

6.01 LBS

LOCATION					CONTRACT NO		CUST / CONTR	
REVISIONS								
REV	DESCRIPTION	DATE	BY	APR	LINK, DOUBLE CLEVIS 90°			
4	RE-DRAWN IN INVENTOR	1-28-10	LK	EP				
					REV	DCLA88-90-S1		
					4	1 OF 1		

DRN BY:
BB
 DRN DATE:
4-3-08
 CHK BY:
BB
 CHK DATE:
4-3-08