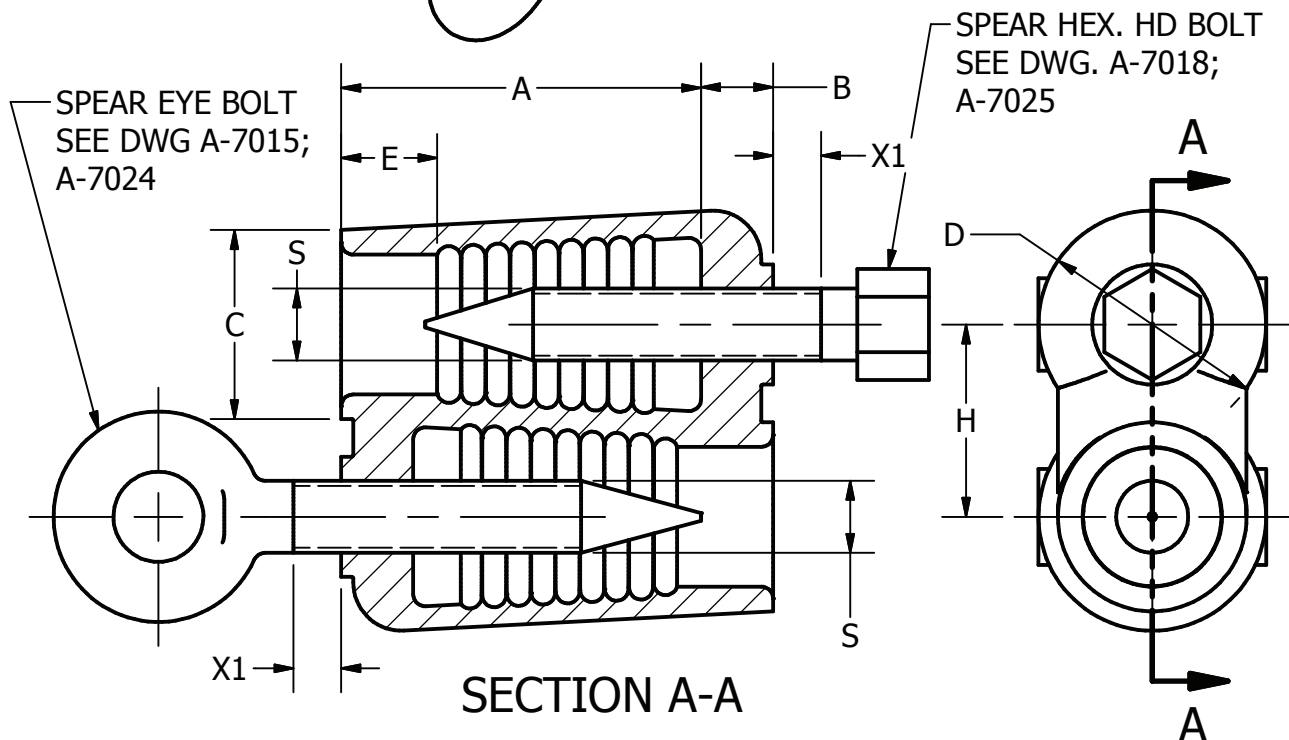
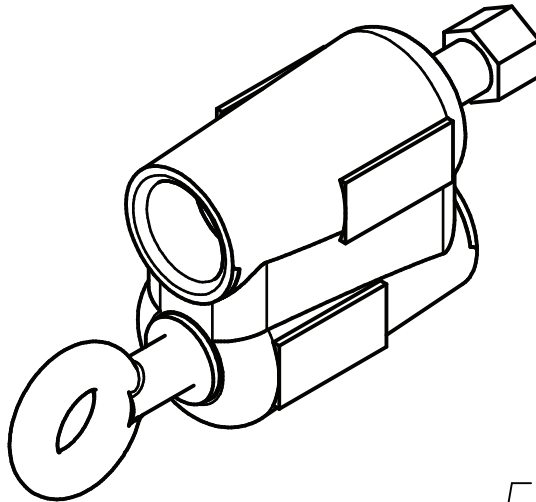


ITEM NO

DWG NO
D-7244



CATALOG #	CABLE SIZE	A	B	C	D	E	H	S	X1
DE2CS50-PI	500 MCM	2 5/8	5/8	1 3/16	1 5/8	1/2	1 3/8	5/8-11	1 3/8
DE2CS150-PI	1500 MCM	3 3/4	3/4	2	2 3/8	1	2	3/4 -10	1/2

MATERIAL:
ALUMINUM BRONZE ASTM B30

DE2CS150-PI: 7.32 LBS

THIS DRAWING AND ALL INFORMATION ON IT IS THE PROPERTY OF AFL. IT IS CONFIDENTIAL AND IT IS GIVEN TO YOU FOR A LIMITED PURPOSE AND MUST BE RETURNED UPON REQUEST. NEITHER THIS DRAWING OR ANY PART OF IT NOR ANY INFORMATION CONCERNING IT MAY BE COPIED, EXHIBITED, OR FURNISHED TO OTHERS NOR PHOTOGRAPHS TAKEN OF ANY ARTICLE FABRICATED OR ASSEMBLED FROM THE DRAWING WITHOUT THE CONSENT OF AFL.

LOCATION				CONTRACT NO		CUST / CONTR	
REVISIONS REV 2 RE-DRAWN IN INVENTOR 2-18-10 LK EP				DRN BY: CV DRN DATE: 3-9-93 CHK BY: HJ CHK DATE: 3-9-93			
				SOCKET, CABLE PARALLEL DEAD END			
				REV 2		DE2CS-PI SERIES	
						1 OF 1	