

TYPE WXL-AA, WXL-E-AA

Expansion Terminal Connector

Material

Aluminum Alloy

Notes

- Add "P" to suffix of WXL for no alignment guide. EX: WXL200-4N-AA
- Add "F" to suffix of pad type for contact finish on both sides of the pad. EX: WXL200-4NF-AA

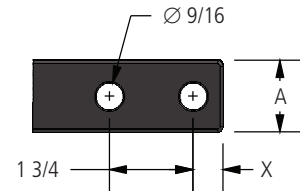
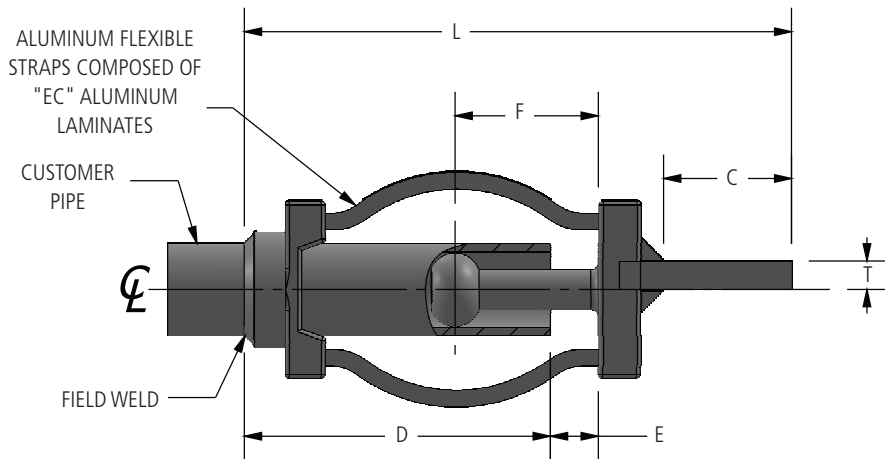
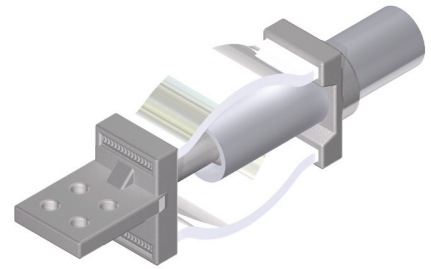


FIG. 1

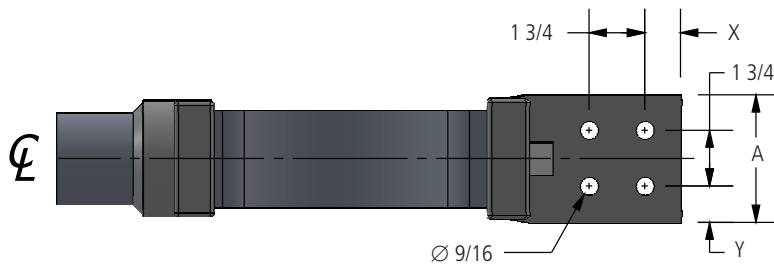


FIG. 2

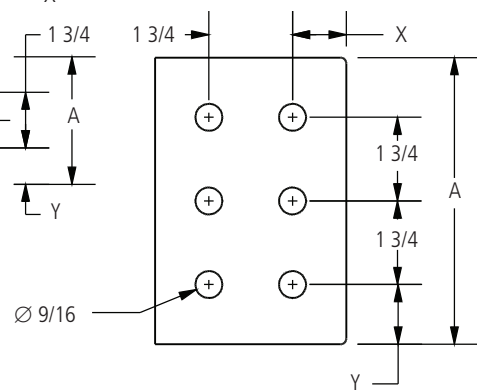


FIG. 3

AFL's Dossert® product line offers a wide range of substation accessories in low voltage up to 765 kV applications in bronze or aluminum materials.

continued
→

TYPE WXL-AA, WXL-E-AA

Expansion Terminal Connector

Ordering Information

Catalog Number		SPS	Fig. No.	Dimensions in Inches								
SCH 40	SCH 80			A	C	D	E	F	L	T	Y	X
WXL100-2N-AA	WXL100E-2N-AA	1	1	1-3/4	3	5-1/8	1-1/2	3-1/2	10-5/8	1/2	NA	5/8
WXL100-4N-AA	WXL100E-4N-AA	1	2	3	3	5-1/8	1-1/2	3-1/2	10-5/8	1/2	5/8	5/8
WXL125-2N-AA	WXL125E-2N-AA	1-1/4	1	2-1/4	3	6	1-1/2	3-1/2	11-1/2	1/2	NA	5/8
WXL125-4N-AA	WXL125E-4N-AA	1-1/4	2	3	3	6	1-1/2	3-1/2	11-1/2	1/2	5/8	5/8
WXL125-4N4-AA	WXL125E-4N4-AA	1-1/4	2	4	4	6	1-1/2	3-1/2	11-1/2	1/2	1-1/8	1-1/8
WXL150-2N-AA	WXL150E-2N-AA	1-1/2	1	2-1/2	3	7-1/8	1-1/2	3-1/2	12-3/4	5/8	5/8	5/8
WXL150-4N-AA	WXL150E-4N-AA	1-1/2	2	3	3	7-1/8	1-1/2	3-1/2	12-3/4	5/8	5/8	5/8
WXL150-4N4-AA	WXL150E-4N4-AA	1-1/2	2	3	3	7-1/8	1-1/2	3-1/2	12-3/4	5/8	5/8	5/8
WXL200-2N-AA	WXL200E-2N-AA	2	1	3	3	7-3/16	2-1/2	4-1/2	14-3/8	3/4	NA	5/8
WXL200-4N-AA	WXL200E-4N-AA	2	2	3	3	7-3/16	2-1/2	4-1/2	14-3/8	3/4	5/8	5/8
WXL200-4N4-AA	WXL200E-4N4-AA	2	2	4	4	7-3/16	2-1/2	4-1/2	14-3/8	3/4	1-1/8	1-1/8
WXL200-6N4-AA	WXL200E-6N4-AA	2	3	6	4	7-3/16	2-1/2	4-1/2	14-3/8	3/4	1-1/4	1-1/8
WXL250-2N-AA	WXL250E-2N-AA	2-1/2	1	3	3	7-11/16	2-1/2	4-1/2	14-7/8	3/4	NA	5/8
WXL250-4N-AA	WXL250E-4N-AA	2-1/2	2	3	3	7-11/16	2-1/2	4-1/2	14-7/8	3/4	5/8	5/8
WXL250-4N4-AA	WXL250E-4N4-AA	2-1/2	2	4	4	7-11/16	2-1/2	4-1/2	15-7/8	3/4	1-1/8	1-1/8
WXL300-2N-AA	WXL300E-2N-AA	3	1	3	3	8-3/16	2-1/2	4-1/2	16	7/8	NA	5/8
WXL300-4N-AA	WXL300E-4N-AA	3	2	3	3	8-3/16	2-1/2	4-1/2	16	7/8	5/8	5/8
WXL300-4N4-AA	WXL300E-4N4-AA	3	2	4	4	8-3/16	2-1/2	4-1/2	17	7/8	1-1/8	1-1/8
WXL300-6N4-AA	WXL300E-6N4-AA	3	3	6	4	8-3/16	2-1/2	4-1/2	17	7/8	1-1/8	1-1/8
WXL350-2N-AA	WXL350E-2N-AA	3-1/2	1	3	3	9-3/4	2-1/2	4-1/2	17-5/16	7/8	NA	5/8
WXL350-4N-AA	WXL350E-4N-AA	3-1/2	2	3	4-1/4	9-3/4	2-1/2	4-1/2	18-9/16	13/16	5/8	5/8
WXL350-4N4-AA	WXL350E-4N4-AA	3-1/2	2	4	4	9-3/4	2-1/2	4-1/2	18-5/16	7/8	1-1/8	1-1/8
WXL400-2N-AA	WXL400E-2N-AA	4	1	3	3	10	2-1/2	4-1/2	18	1	NA	5/8
WXL400-4N-AA	WXL400E-4N-AA	4	2	3	3	10	2-1/2	4-1/2	18	1	5/8	5/8
WXL400-4N4-AA	WXL400E-4N4-AA	4	2	4	4	10	2-1/2	4-1/2	19	1	1-1/8	1-1/8
WXL400-6N4-AA	WXL400E-6N4-AA	4	3	6	4	10	2-1/2	5-9/16	19-1/4	1	1-1/4	1-1/8
WXL500-4N-AA	WXL500E-4N-AA	5	2	3	3	10	2-1/2	4-1/2	18	1-1/4	5/8	5/8
WXL500-4N4-AA	WXL500E-4N4-AA	5	2	4	4	10	2-1/2	4-1/2	19	1-1/4	1-1/8	1-1/8
WXL500-6N4-AA	WXL500E-6N4-AA	5	3	6	4	10	2-1/2	5-5/8	19	1	1-1/4	1-1/8
WXL600-4N-AA	WXL600E-4N-AA	6	2	3	3	6-9/16	2-1/2	5-3/16	13-9/16	1-1/8	5/8	5/8
WXL600-4N4-AA	WXL600E-4N4-AA	6	2	4	4	6-9/16	2-1/2	5-3/16	14-9/16	1-1/8	1-1/8	1-1/8
WXL600-6N4-AA	WXL600E-6N4-AA	6	3	6	4	6-9/16	2-1/2	5-3/16	14-9/16	1-1/8	1-1/4	1-1/8
WXL800-4N4-AA	WXL800E-4N4-AA	8	2	4	4	15	2-1/2	4-1/2	24-3/8	1-3/8	1-1/8	1-1/8
WXL800-6N4-AA	WXL800E-6N4-AA	8	3	6	4	15	2-1/2	4-1/2	24-3/8	1-3/8	1-1/4	1-1/8