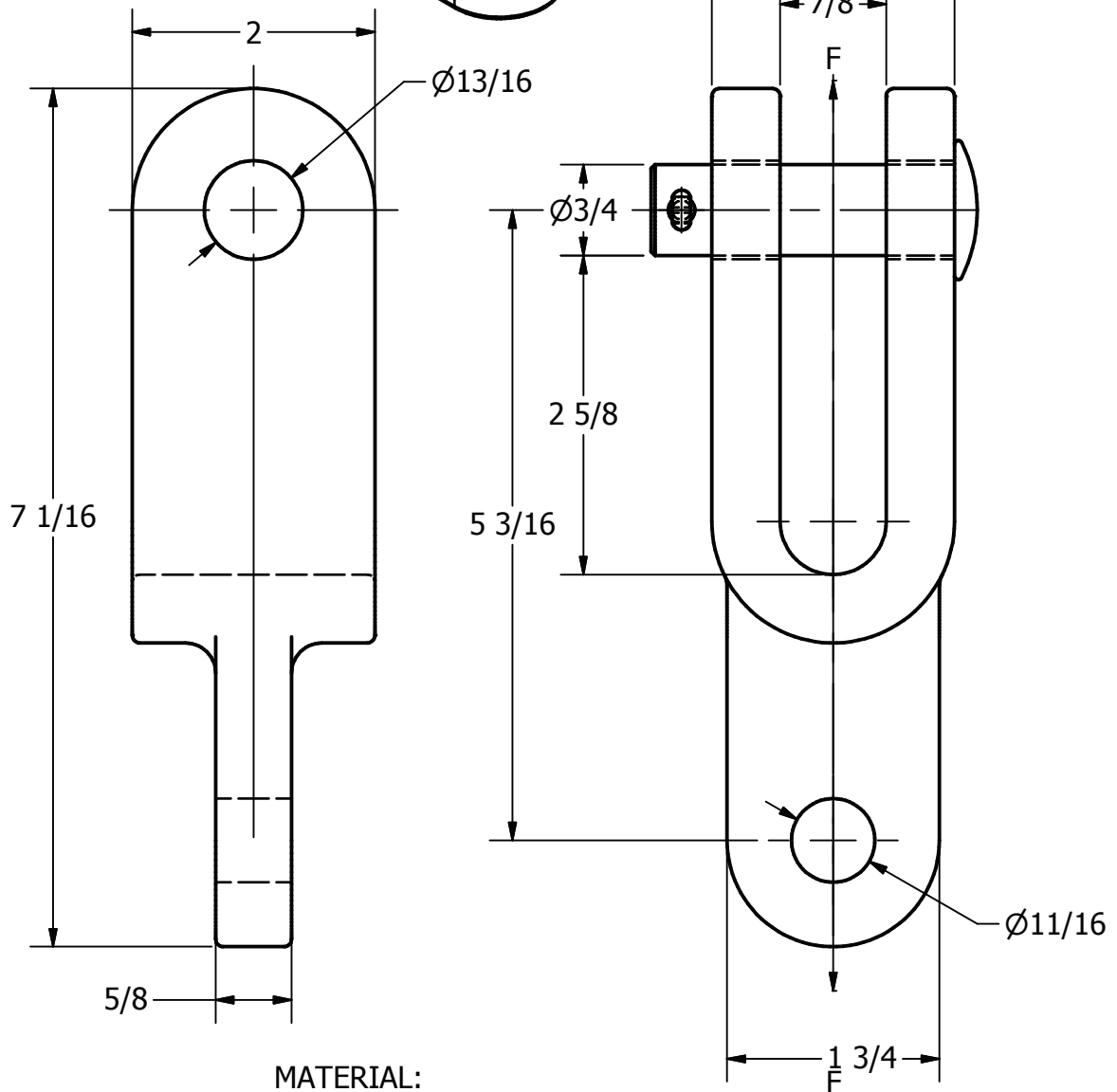
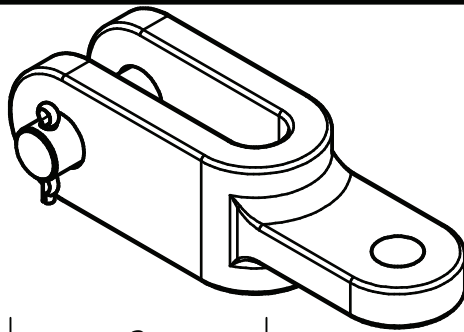


ITEM NO

DWG NO
D-6792

MATERIAL:
 ALUMINUM BRONZE ASTM B30.
 CLEVIS PIN-GALVANIZED STEEL
 COTTER KEY-STAINLESS STEEL

4.18 LBS

MIN ULTIMATE STRENGTH LOAD:
 "F" = 31,900 LBS

THIS DRAWING AND ALL INFORMATION ON IT IS THE PROPERTY OF AFL. IT IS CONFIDENTIAL AND IT IS GIVEN TO YOU FOR A LIMITED PURPOSE AND MUST BE RETURNED UPON REQUEST. NEITHER THIS DRAWING OR ANY PART OF IT NOR ANY INFORMATION CONCERNING IT MAY BE COPIED, EXHIBITED, OR FURNISHED TO OTHERS NOR PHOTOGRAPHS TAKEN OF ANY ARTICLE FABRICATED OR ASSEMBLED FROM THE DRAWING WITHOUT THE CONSENT OF AFL.

LOCATION

CONTRACT NO

CUST / CONTR

REVISIONS				
REV	DESCRIPTION	DATE	BY	APR
2	RE-DRAWN IN INVENTOR	2-1-10	LK	EP

DRN BY:
BB
 DRN DATE:
5-4-89
 CHK BY:
HJ
 CHK DATE:
5-4-89

LINK, TONGUE-CLEVIS

REV
2

DECLA63-75-90-S1

1 OF 1