

DOSSERT®

TYPE GPC-AA

Pipe Ground Clamp

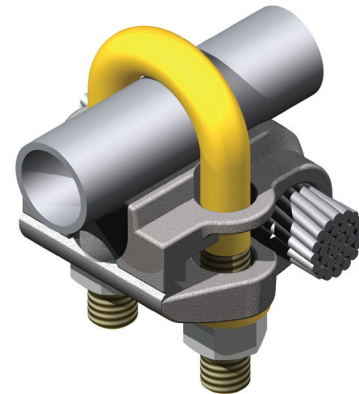
The ground clamp can be used to clamp cable parallel or perpendicular to the ground pipe.

Material

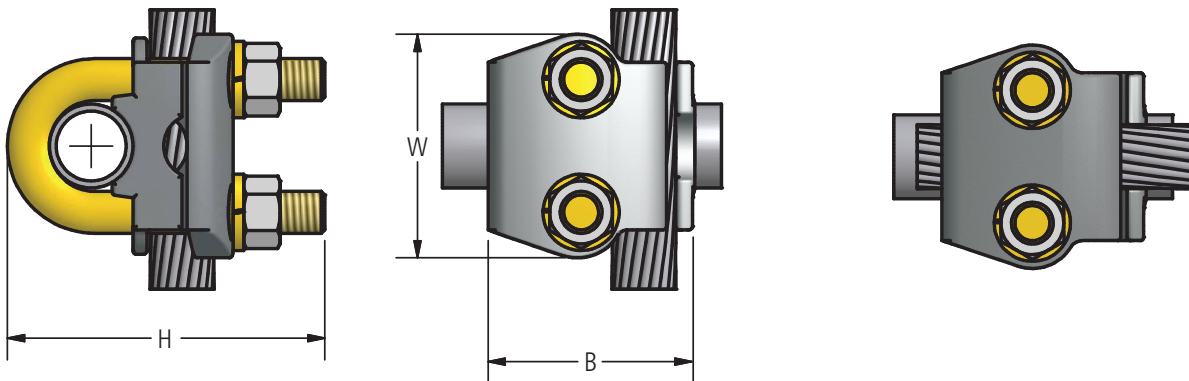
Aluminum Alloy

Hardware

Yellow anodized aluminum nuts, U-bolts and lockwashers.



230 kV – Bolted Ground Clamps



Ordering Information

CATALOG NUMBER	ROD	SPS	CABLE RANGE AAC		DIMENSIONS IN INCHES			U-BOLT SIZE
			MIN	MAX	B	H	W	
GPC25-4-AA	1/2	1/4	8 SOL	4 STR	1 7/16	2 7/16	1 7/8	3/8
GPC25-13-AA	1/2	1/4	4 SOL	2/0 STR	1 5/8	2 7/16	1 7/8	3/8
GPC25-25-AA	1/2	1/4	2/0 SOL	250 MCM	1 7/8	2 1/2	1 7/8	3/8
GPC38-4-AA	5/8 or 3/4	3/8	8 SOL	4 STR	1 7/16	2 1/2	2	3/8
GPC38-13-AA	5/8 or 3/4	3/8	4 SOL	2/0 STR	1 5/8	2 25/32	2 1/16	3/8
GPC38-25-AA	5/8 or 3/4	3/8	2/0 SOL	250 MCM	1 7/8	2 3/4	2	3/8
GPC38-50-AA	5/8 or 3/4	3/8	300 MCM	500MCM	2 3/8	3 1/4	2 3/8	1/2
GPC75-4-AA	1	1/2 or 3/4	8 SOL	4 STR	1 7/16	2 9/16	2 3/8	3/8
GPC75-13-AA	1	1/2 or 3/4	4 SOL	2/0 STR	1 5/8	2 3/4	2 3/8	3/8
GPC75-25-AA	1	1/2 or 3/4	2/0 SOL	250 MCM	1 7/8	2 7/8	2 3/8	3/8
GPC75-50-AA	1	1/2 or 3/4	300 MCM	500MCM	2 3/8	3 1/2	2 3/4	1/2
GPC75-75-AA	1	1/2 or 3/4	500 MCM	750 MCM	2 5/8	3 3/4	2 3/4	1/2
GPC100-4-AA	–	1	8 SOL	4 STR	1 7/16	2 3/4	2 5/8	3/8
GPC100-13-AA	–	1	4 SOL	2/0 STR	1 5/8	3 1/4	2 5/8	3/8
GPC100-25-AA	–	1	2/0 SOL	250 MCM	1 7/8	3 1/4	2 5/8	3/8
GPC100-50-AA	–	1	300 MCM	500 MCM	2 3/8	3 3/4	3	1/2
GPC100-75-AA	–	1	500 MCM	750 MCM	2 21/32	4 7/16	3 1/8	1/2
GPC100-100-AA	–	1	750 MCM	1000 MCM	2 7/8	4 1/4	3	1/2
GPC3875-AA	5/8 or 3/4	3/8	500 MCM	750 MCM	2 5/8	4	2 3/4	1/2
GPC125-4-AA	–	1 1/4	8 SOL	4 STR	1 7/16	3 1/4	3	3/8
GPC125-13-AA	–	1 1/4	4 SOL	2/0 MCM	1 5/8	3 9/16	3	3/8
GPC125-25-AA	–	1 1/4	2/0 SOL	250 MCM	1 7/8	3 5/8	3	3/8
GPC125-50-AA	–	1 1/4	300 MCM	500 MCM	2 3/8	4 1/16	3 3/8	1/2
GPC125-75-AA	–	1 1/4	500 MCM	750 MCM	2 3/4	4 11/16	3 3/8	1/2
GPC125-100-AA	–	1 1/4	750 MCM	1000 MCM	3 1/16	4 7/8	3 3/4	5/8



230 kV Aluminum Bolted Ground Clamps

DOSSERT®

TYPE GPC-AA
Pipe Ground Clamp

Ordering Information

CATALOG NUMBER	ROD	SPS	CABLE RANGE AAC		DIMENSIONS IN INCHES			U-BOLT SIZE
			MIN	MAX	B	H	W	
GPC150-4-AA	–	1 1/2	8 SOL	4 STR	1 7/8	3 7/16	3 1/4	3/8
GPC150-13-AA	–	1 1/2	4 SOL	2/0 STR	1 5/8	3 7/8	3 1/4	3/8
GPC150-25-AA	–	1 1/2	2/0 SOL	250 MCM	1 7/8	4	3 1/4	3/8
GPC150-50-AA	–	1 1/2	300 MCM	500 MCM	2 3/8	4 5/16	3 5/8	1/2
GPC150-75-AA	–	1 1/2	500 MCM	750 MCM	2 3/4	4 15/16	3 5/8	1/2
GPC150-100-AA	–	1 1/2	750 MCM	1000 MCM	3 1/16	5 1/16	4	5/8
GPC200-4-AA	–	2	8 SOL	4 STR	1 7/16	3 7/8	3 11/16	3/8
GPC200-13-AA	–	2	4 SOL	2/0 STR	1 5/8	4 1/4	3 11/16	3/8
GPC200-25-AA	–	2	2/0 SOL	250 MCM	1 7/8	4 7/16	3 11/16	3/8
GPC200-50-AA	–	2	300 MCM	500 MCM	2 3/8	4 3/4	4 1/16	1/2
GPC200-75-AA	–	2	500 MCM	750 MCM	2 3/4	5 5/8	4 1/16	1/2
GPC200-100-AA	–	2	750 MCM	1000 MCM	3 1/16	5 1/2	4 7/16	5/8
GPC250-4-AA	–	2 1/2	8 SOL	4 STR	1 7/16	4 3/8	4 3/16	3/8
GPC250-13-AA	–	2 1/2	4 SOL	2/0 STR	1 5/8	4 3/4	4 3/16	3/8
GPC250-25-AA	–	2 1/2	2/0 SOL	250 MCM	1 7/8	4 7/8	4 3/16	3/8
GPC250-50-AA	–	2 1/2	300 MCM	500 MCM	2 3/8	5 1/4	4 9/16	1/2
GPC250-75-AA	–	2 1/2	500 MCM	750 MCM	2 3/4	5 7/8	4 15/16	1/2
GPC250-100-AA	–	2 1/2	750 MCM	1000 MCM	3 1/16	6	4 13/16	5/8
GPC300-4-AA	–	3	8 SOL	4 STR	1 7/16	5	4 13/16	3/8
GPC300-13-AA	–	3	4 SOL	2/0 STR	1 5/8	5 3/8	4 13/16	3/8
GPC300-25-AA	–	3	2/0 SOL	250 MCM	1 7/8	5 1/2	5 3/16	3/8
GPC300-50-AA	–	3	300 MCM	500 MCM	2 3/8	5 3/4	5 3/16	1/2
GPC300-75-AA	–	3	500 MCM	750 MCM	2 3/4	6 1/2	5 9/16	1/2
GPC300-100-AA	–	3	750 MCM	1000 MCM	3 1/16	6 5/8	5 5/16	5/8
GPC350-4-AA	–	3 1/2	8 SOL	4 STR	1 7/16	5 1/2	5 5/16	3/8
GPC350-13-AA	–	3 1/2	4 SOL	2/0 STR	1 5/8	5 7/8	5 5/16	3/8
GPC350-25-AA	–	3 1/2	2/0 SOL	250 MCM	1 7/8	6	5 11/16	3/8
GPC350-50-AA	–	3 1/2	300 MCM	500 MCM	2 3/8	6 1/4	5 11/16	1/2
GPC350-75-AA	–	3 1/2	500 MCM	750 MCM	2 3/4	7	6 1/16	1/2
GPC350-100-AA	–	3 1/2	750 MCM	1000 MCM	3 1/16	7 1/8	5 13/16	5/8
GPC400-4-AA	–	4	8 SOL	4 STR	1 7/16	6	5 13/16	3/8
GPC400-13-AA	–	4	4 SOL	2/0 STR	1 5/8	6 3/8	5 13/16	3/8
GPC400-25-AA	–	4	2/0 SOL	250 MCM	1 7/8	6 1/2	6 3/16	3/8
GPC400-50-AA	–	4	300 MCM	500 MCM	2 3/8	6 3/4	6 3/16	1/2
GPC400-75-AA	–	4	500 MCM	750 MCM	2 3/4	7 1/2	6 3/16	1/2
GPC400-100-AA	–	4	750 MCM	1000 MCM	3 1/16	7 5/8	6 3/8	5/8
GPC450-4-AA	–	4 1/2	8 SOL	4 STR	1 7/16	6 1/2	6 3/8	3/8
GPC450-13-AA	–	4 1/2	4 SOL	2/0 STR	1 5/8	6 3/4	6 3/8	3/8
GPC450-25-AA	–	4 1/2	2/0 SOL	250 MCM	1 7/8	7	6 3/4	3/8
GPC450-50-AA	–	4 1/2	300 MCM	500 MCM	2 3/8	7 1/4	6 3/4	1/2
GPC450-75-AA	–	4 1/2	500 MCM	750 MCM	2 3/4	8	7 3/16	1/2
GPC450-100-AA	–	4 1/2	750 MCM	1000 MCM	3 1/16	8 1/8	6 7/8	5/8
GPC500-4-AA	–	5	8 SOL	4 STR	1 7/16	7 1/16	6 7/8	3/8
GPC500-13-AA	–	5	4 SOL	2/0 STR	1 5/8	7 5/16	6 7/8	3/8
GPC500-25-AA	–	5	2/0 SOL	250 MCM	1 7/8	7 9/16	7 1/4	3/8
GPC500-50-AA	–	5	300 MCM	500 MCM	2 3/8	7 13/16	7 1/4	1/2
GPC500-75-AA	–	5	500 MCM	750 MCM	2 3/4	5 9/16	7 1/4	1/2
GPC500-100-AA	–	5	750 MCM	1000 MCM	3 1/16	8 11/16	7 5/8	5/8

230 kV – Bolted Ground Clamps