

TYPE WXLO-AA, WXLO-E-AA

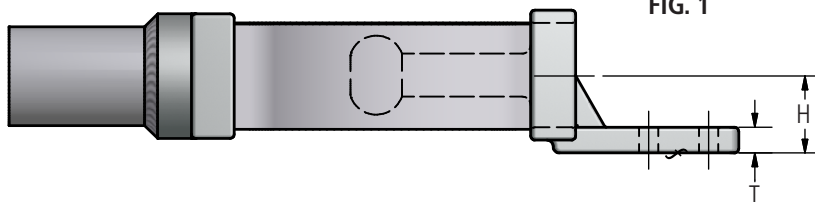
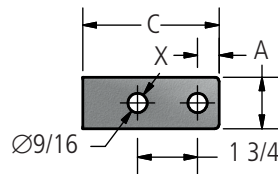
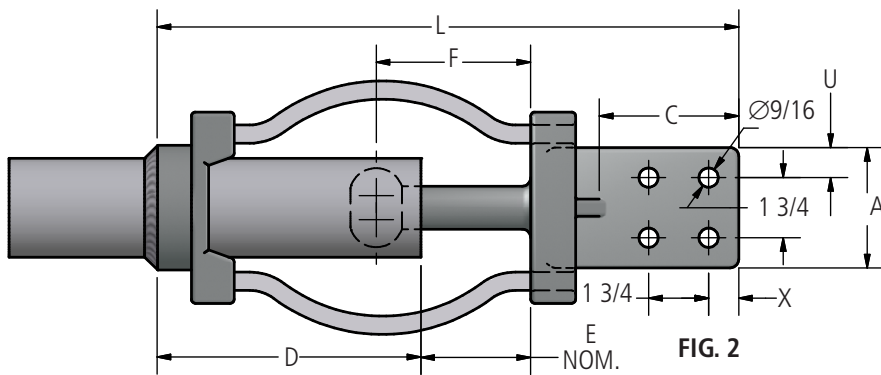
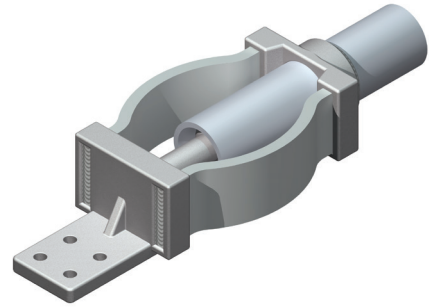
Expansion Terminal Connector

Material

Aluminum Alloy

Notes

1. Add "P" to suffix of WXLO for no alignment guide. EX: WXLOP300-4N-AA
2. Add "F" to suffix of pad type for contact finish on both sides of the pad. EX: WXLO300-4NF-AA



AFL's Dossert® product line offers a wide range of substation accessories in low voltage up to 765 kV applications in bronze or aluminum materials.

continued
→

TYPE WXLO-AA, WXLO-E-AA

Expansion Terminal Connector

Ordering Information

| Catalog Number | | Pipe Size | Fig. No. | Dimensions in Inches | | | | | | | | | |
|----------------|-----------------|-----------|----------|----------------------|---|---------|-------|-------|---------|---------|-------|-------|-------|
| SCH 40 | SCH 80 | | | A | C | D | E | F | H | L | T | U | X |
| WXLO100-2N-AA | WXLO100E-2N-AA | 1 | 1 | 1 3/4 | 3 | 5 1/8 | 1 1/2 | 3 1/2 | 1 1/8 | 10 5/8 | 5/8 | N/A | 5/8 |
| WXLO100-4N-AA | WXLO100E-4N-AA | 1 | 2 | 3 | 3 | 5 1/8 | 1 1/2 | 3 1/2 | 1 5/16 | 10 5/8 | 1/2 | 5/8 | 5/8 |
| WXLO125-2N-AA | WXLO125E-2N-AA | 1 1/4 | 1 | 2 1/4 | 3 | 6 | 1 1/2 | 3 1/2 | 1 5/16 | 11 1/2 | 1/2 | N/A | 5/8 |
| WXLO125-4N-AA | WXLO125E-4N-AA | 1 1/4 | 2 | 3 | 3 | 6 | 1 1/2 | 3 1/2 | 1 5/16 | 11 1/2 | 1/2 | 5/8 | 5/8 |
| WXLO125-4N4-AA | WXLO125E-4N4-AA | 1 1/4 | 2 | 4 | 4 | 6 | 1 1/2 | 3 1/2 | 1 5/8 | 12 3/4 | 1/2 | 1 1/8 | 1 1/8 |
| WXLO150-2N-AA | WXLO150E-2N-AA | 1 1/2 | 1 | 2 1/2 | 3 | 7 1/8 | 1 1/2 | 3 1/2 | 1 5/8 | 12 3/4 | 5/8 | N/A | 5/8 |
| WXLO150-4N-AA | WXLO150E-4N-AA | 1 1/2 | 2 | 3 | 3 | 7 1/8 | 1 1/2 | 3 1/2 | 1 5/8 | 12 3/4 | 5/8 | 5/8 | 5/8 |
| WXLO200-2N-AA | WXLO200E-2N-AA | 2 | 1 | 2 | 3 | 7 3/16 | 2 1/2 | 4 1/2 | 2 | 14 3/8 | 3/4 | N/A | 5/8 |
| WXLO200-4N-AA | WXLO200E-4N-AA | 2 | 2 | 3 | 3 | 7 3/16 | 2 1/2 | 4 1/2 | 2 | 14 3/8 | 3/4 | 3/4 | 7/8 |
| WXLO200-4N4-AA | WXLO200E-4N4-AA | 2 | 2 | 4 | 4 | 7 3/16 | 2 1/2 | 4 1/2 | 2 | 15 3/8 | 3/4 | 1 1/8 | 1 1/8 |
| WXLO250-4N-AA | WXLO250E-4N-AA | 2 1/2 | 2 | 3 | 3 | 7 11/16 | 2 1/2 | 4 1/2 | 2 9/32 | 14 7/8 | 3/4 | 5/8 | 5/8 |
| WXLO250-4N4-AA | WXLO250E-4N4-AA | 2 1/2 | 2 | 4 | 4 | 7 11/16 | 2 1/2 | 4 1/2 | 2 9/32 | 15 7/8 | 3/4 | 1 1/8 | 1 1/8 |
| WXLO300-4N-AA | WXLO300E-4N-AA | 3 | 2 | 3 | 3 | 8 3/16 | 2 1/2 | 4 1/2 | 2 5/8 | 16 | 7/8 | 5/8 | 5/8 |
| WXLO300-4N4-AA | WXLO300E-4N4-AA | 3 | 2 | 4 | 4 | 8 3/16 | 2 1/2 | 4 1/2 | 2 5/8 | 17 | 7/8 | 1 1/8 | 1 1/8 |
| WXLO350-4N-AA | WXLO350E-4N-AA | 3 1/2 | 2 | 3 | 3 | 9 3/4 | 2 1/2 | 4 1/2 | 2 15/16 | 17 5/16 | 7/8 | 5/8 | 5/8 |
| WXLO350-4N4-AA | WXLO350E-4N4-AA | 3 1/2 | 2 | 4 | 4 | 9 3/4 | 2 1/2 | 4 1/2 | 2 15/16 | 18 5/16 | 1 | 1 1/8 | 1 1/8 |
| WXLO400-4N-AA | WXLO400E-4N-AA | 4 | 2 | 3 | 3 | 10 | 2 1/2 | 4 1/2 | 3 1/4 | 18 | 1 | 5/8 | 5/8 |
| WXLO400-4N4-AA | WXLO400E-4N4-AA | 4 | 2 | 4 | 4 | 10 | 2 1/2 | 4 1/2 | 3 1/4 | 19 | 1 | 1 1/8 | 1 1/8 |
| WXLO500-4N-AA | WXLO500E-4N-AA | 5 | 2 | 3 | 3 | 10 | 2 1/2 | 4 1/2 | 3 1/2 | 18 | 1 1/4 | 5/8 | 5/8 |
| WXLO500-4N4-AA | WXLO500E-4N4-AA | 5 | 2 | 4 | 4 | 10 | 2 1/2 | 4 1/2 | 3 1/2 | 19 | 1 1/4 | 1 1/8 | 1 1/8 |
| WXLO600-4N-AA | WXLO600E-4N-AA | 6 | 2 | 3 | 3 | 12 | 2 1/2 | 4 1/2 | 4 1/4 | 20 3/8 | 1 3/8 | 5/8 | 5/8 |
| WXLO600-4N4-AA | WXLO600E-4N4-AA | 6 | 2 | 4 | 4 | 12 | 2 1/2 | 4 1/2 | 4 1/4 | 21 3/8 | 1 3/8 | 1 1/8 | 1 1/8 |