

DOSSERT® TYPE BAP-V-AA

Bolted Tee for Pipe

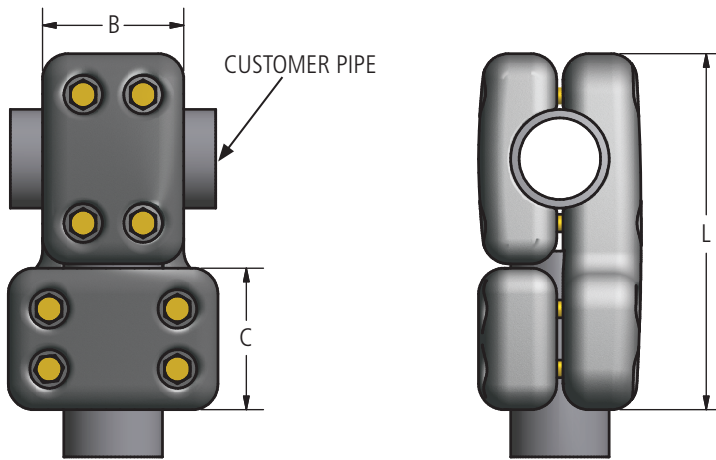
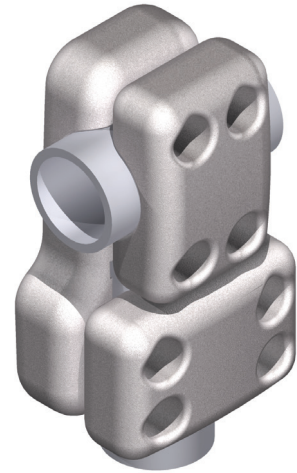
Bolted tee connector is designed to be corona free for 345 kV and 500 kV service.

Material

Aluminum Alloy

Hardware

Aluminum nuts, bolts, and lockwashers.



345/500 kV
Tee Connectors

Ordering Information

CATALOG NUMBER	SPS		DIMENSIONS IN INCHES			BOLT SIZE
	RUN	TAP	B	C	L	
BAP250-250-V-AA	2 1/2	2 1/2	4 1/8	4 1/8	10	1/2
BAP300-300-V-AA	3	3	5	5	12 1/2	5/8
BAP300-600-V-AA	3	6	5	6 1/4	13 13/16	5/8
BAP400-200-V-AA	4	2	4 1/8	4 1/2	11 5/8	1/2
BAP400-300-V-AA	4	3	6	5	13 7/8	5/8
BAP400-400-V-AA	4	4	6	6	21 1/2	5/8
BAP500-300-V-AA	5	3	5 3/4	5	15 1/2	5/8
BAP500-400-V-AA	5	4	5 3/4	6	15 5/8	5/8
BAP500-500-V-AA	5	5	7	7	17	5/8
BAP600-300-V-AA	6	3	6	5	15 3/4	5/8
BAP800R-400-V-AA	8 OD	4	6	5 1/4	15 5/8	5/8
BAP800-600-V-AA	8	6	7 1/2	7	17 3/4	5/8

DOSSERT® TYPE BPA-75-V-AA

75-Degree Bolted Tee

Bolted tee connector at 75° is designed to be corona free for 345 kV and 525 kV service.

Material

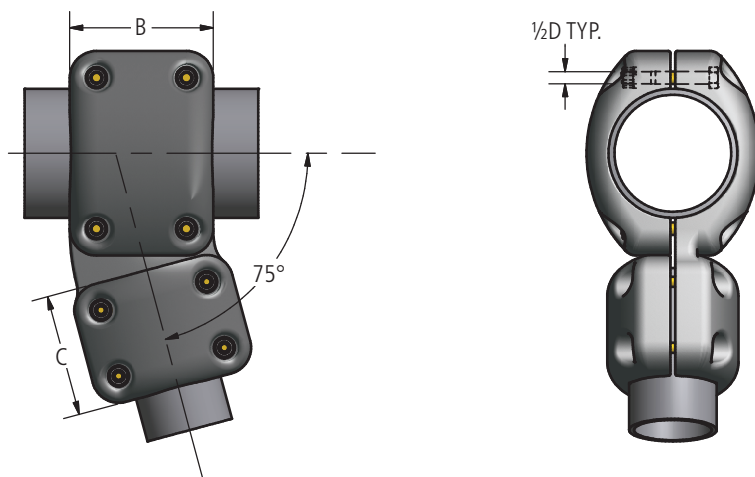
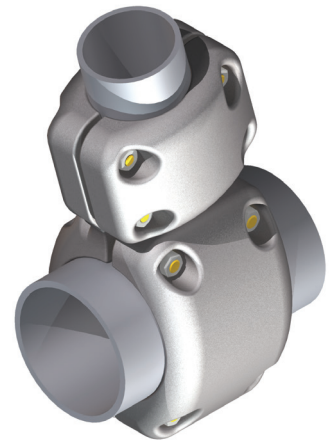
Aluminum Alloy

Hardware

Yellow anodized aluminum nuts, bolts, and lockwashers.

Notes

- For Stainless Steel bolt, lockwasher and Everdur nut, add "-SSHBN" to catalog number.
EX: BPA200-200-75-V-AA-SSHBN



Ordering Information

CATALOG NUMBER	PIPE SIZE		DIMENSIONS IN INCHES	
	RUN	TAP	B	C
BPA200-200-75-V-AA	2	2	5	5
BPA250-125-75-V-AA	2 1/2	1 1/4	4 1/8	4 1/8
BPA250-250-75-V-AA	2 1/2	2 1/2	4 1/8	4 1/8
BPA300-300-75-V-AA	3	3	5	5
BPA400-200-75-V-AA	4	2	6	5
BPA400-400-75-V-AA	4	4	6	6
BPA500-300-75-V-AA	5	3	5 3/4	5
BPA500-400-75-V-AA	5	4	5 3/4	6
BPA600-300-75-V-AA	6	3	5	5
BPA600-350-75-V-AA	6	3 1/2	5	4 7/8
BPA800R-500-75-V-AA	8 OD	5	6	5 3/4
BPA800-300-75-V-AA	8	3	4 3/4	5

DOSSERT®

TYPE VBP-30-V-AA

30 Degree Bolted Tee Rated for 500 kV

Material

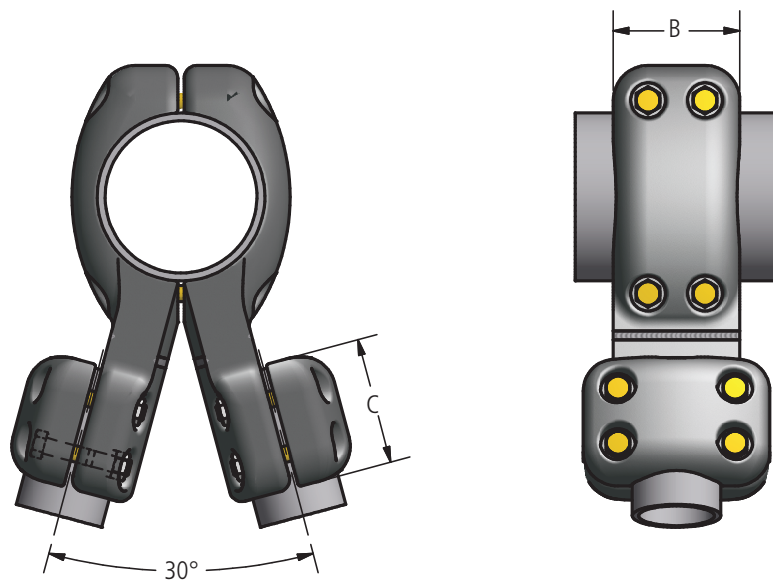
Aluminum

Hardware

Aluminum nuts, bolts and lockwashers.

Notes

- For Stainless Steel Hardware add "-SS" to catalog number. EX: VBP250-125-V-AA-SS
- For Stainless Steel bolts, lockwashers and Everdur nuts add "-SSHBN" to catalog number. EX: VBP250-125-V-AA-SSHBN
- For Grade Five Galvanized Steel Hardware add "-GS5" to catalog number. EX: VBP250-125-V-AA-GS5



Ordering Information

CATALOG NUMBER	SPS		DIMENSIONS IN INCHES		BOLT SIZE
	RUN	TAP	B	C	
VBP250-125-30-V-AA	2 1/2	1 1/4	4 1/8	4 1/8	1/2
VBP250-250-30-V-AA	2 1/2	2 1/2	4 1/8	4 1/8	1/2
VBP400-200-30-V-AA	4	2	6	5	5/8
VBP400-250-30-V-AA	4	2 1/2	6	4 1/8	5/8
VBP400-300-30-V-AA	4	3	6	6	5/8
VBP400-400-30-V-AA	4	4	6	6	5/8
VBP500-300-30-V-AA	5	3	5 3/4	5	5/8
VBP500-400-30-V-AA	5	4	4	6	5/8
VBP600-300-30-V-AA	6	3	5	6	5/8
VBP600-400-30-V-AA	6	4	5	6	5/8