

TYPE SWTPA-AA Swage Bus Terminal with Angled NEMA Pad

A Swage type bus terminal with angled NEMA pad.

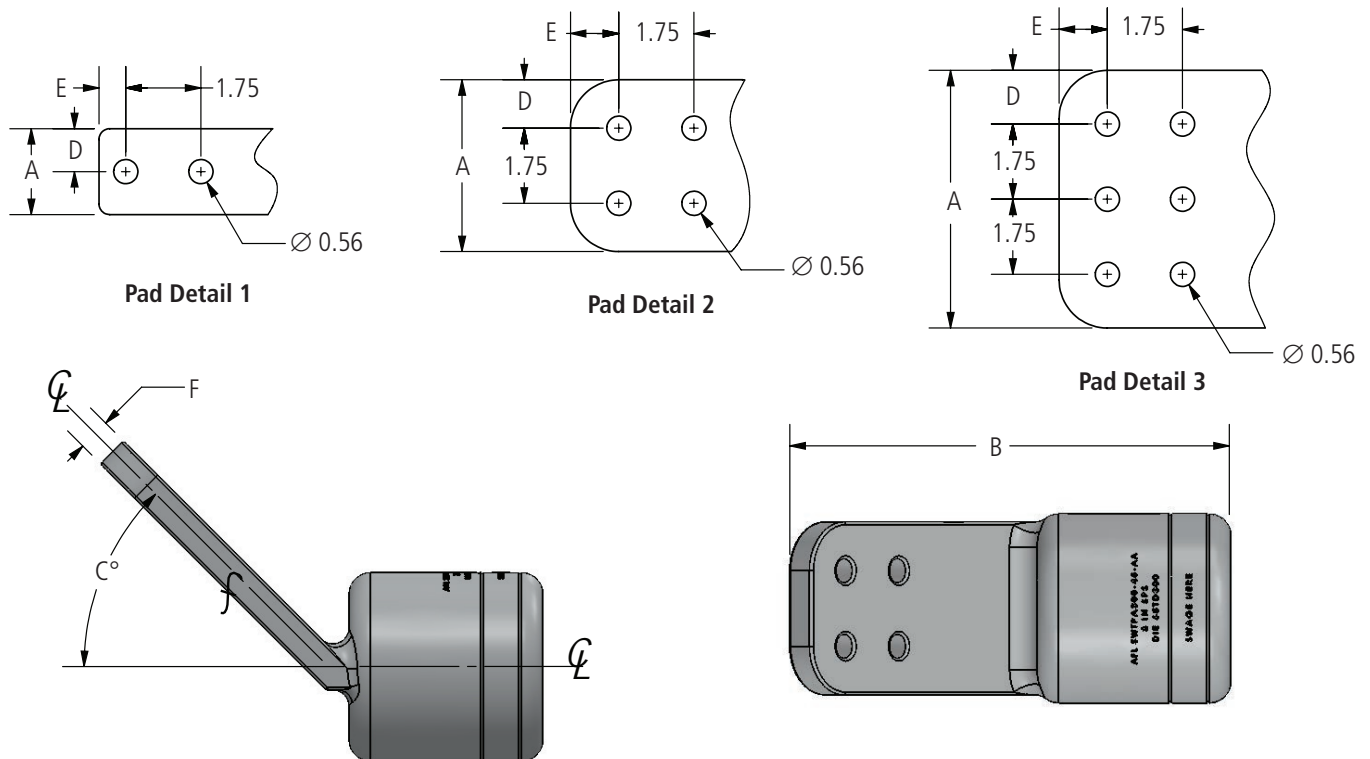
Material

Aluminum Alloy

Notes

- Bore will be lined with AFL Filler compound (AFC) and capped.
- 5" and 6" SPS parts require double swages.

f—Machine Finish



Ordering Information

AFL NO.	S.P.S.	PAD DETAIL	DIMENSIONS IN INCHES						DIE SIZE	VOLTAGE RATING (kV)
			A	B	C	D	E	F		
SWTPA100-2N-45-AA	1	1	2.00	7.68	45	1.00	0.63	0.38	65TD100	230
SWTPA100-4N-30-AA	1	2	3.00	8.40	30	0.63	0.63	0.38	65TD100	230
SWTPA100-4N-45-AA	1	2	3.00	7.68	45	0.63	0.63	0.38	65TD100	230
SWTPA100-4N-60-AA	1	2	3.00	6.75	60	0.63	1.13	0.38	65TD100	230
SWTPA100-4N4-30-AA	1	2	4.00	8.40	30	1.13	1.13	0.38	65TD100	230
SWTPA100-4N4-45-AA	1	2	4.00	7.68	45	1.13	1.13	0.38	65TD100	230
SWTPA100-4N4-60-AA	1	2	4.00	6.75	60	1.13	1.13	0.38	65TD100	230
SWTPA150-2N-45-AA	1.5	1	2.00	9.39	45	1.00	0.63	0.50	65TD150	230
SWTPA150-4N-30-AA	1.5	2	3.00	10.26	30	0.63	0.63	0.50	65TD150	230
SWTPA150-4N-45-AA	1.5	2	3.00	9.39	45	0.63	0.63	0.50	65TD150	230
SWTPA150-4N-60-AA	1.5	2	3.00	8.25	60	0.63	0.63	0.50	65TD150	230
SWTPA150-4N4-30-AA	1.5	2	4.00	10.26	30	1.13	1.13	0.50	65TD150	230
SWTPA150-4N4-45-AA	1.5	2	4.00	9.39	45	1.13	1.13	0.50	65TD150	230
SWTPA150-4N4-60-AA	1.5	2	4.00	8.25	60	1.13	1.13	0.50	65TD150	230

continued

TYPE SWTPA-AA Swage Bus Terminal with Angled NEMA Pad

Ordering Information

AFL NO.	S.P.S.	PAD DETAIL	DIMENSIONS IN INCHES						DIE SIZE	VOLTAGE RATING (kV)
			A	B	C	D	E	F		
SWTPA200-2N-30-AA	2	1	2.00	10.26	30	1.00	0.63	0.50	65TD200	230
SWTPA200-2N-45-AA	2	1	2.00	9.39	45	1.00	0.63	0.50	65TD200	230
SWTPA200-4N-30-AA	2	2	3.00	10.26	30	0.63	0.63	0.50	65TD200	230
SWTPA200-4N-45-AA	2	2	3.00	9.39	45	0.63	0.63	0.50	65TD200	230
SWTPA200-4N-60-AA	2	2	3.00	8.25	60	0.63	0.63	0.50	65TD200	230
SWTPA200-4N4-30-AA	2	2	4.00	10.26	30	1.13	1.13	0.50	65TD200	230
SWTPA200-4N4-45-AA	2	2	4.00	9.39	45	1.13	1.13	0.50	65TD200	230
SWTPA200-4N4-60-AA	2	2	4.00	8.25	60	1.13	1.13	0.50	65TD200	230
SWTPA250-2N-30-AA	2.5	1	2.00	10.26	30	1.00	0.63	0.63	65TD250	230
SWTPA250-2N-45-AA	2.5	1	2.00	9.39	45	1.00	0.63	0.63	65TD250	230
SWTPA250-4N-30-AA	2.5	2	3.00	9.76	30	0.63	0.63	0.63	65TD250	230
SWTPA250-4N-45-AA	2.5	2	3.00	9.39	45	0.63	0.63	0.63	65TD250	230
SWTPA250-4N-60-AA	2.5	2	3.00	9.25	60	0.63	0.63	0.63	65TD250	230
SWTPA250-4N4-30-AA	2.5	2	4.00	10.26	30	1.13	1.13	0.63	65TD250	230
SWTPA250-4N4-45-AA	2.5	2	4.00	9.39	45	1.13	1.13	0.63	65TD250	230
SWTPA250-4N4-60-AA	2.5	2	4.00	8.25	60	1.13	1.13	0.63	65TD250	230
SWTPA300-2N-30-AA	3	1	2.00	12.13	30	1.00	0.63	0.75	65TD300	345
SWTPA300-2N-45-AA	3	1	2.00	11.10	45	1.00	0.63	0.75	65TD300	345
SWTPA300-4N-30-AA	3	2	3.00	12.13	30	0.63	0.63	0.75	65TD300	345
SWTPA300-4N-45-AA	3	2	3.00	11.10	45	0.63	0.63	0.75	65TD300	345
SWTPA300-4N-60-AA	3	2	3.00	9.75	60	0.63	0.63	0.75	65TD300	345
SWTPA300-4N4-30-AA	3	2	4.00	12.13	30	1.13	1.13	0.75	65TD300	345
SWTPA300-4N4-45-AA	3	2	4.00	11.10	45	1.13	1.13	0.75	65TD300	345
SWTPA300-4N4-60-AA	3	2	4.00	9.75	60	1.13	1.13	0.75	65TD300	345
SWTPA350-2N-30-AA	3.5	1	2.00	12.13	30	1.00	0.63	0.75	65TD350	500
SWTPA350-2N-45-AA	3.5	1	2.00	11.10	45	1.00	0.63	0.75	65TD350	500
SWTPA350-4N-30-AA	3.5	2	3.00	12.13	30	0.63	0.63	0.75	65TD350	500
SWTPA350-4N-45-AA	3.5	2	3.00	11.10	45	0.63	0.63	0.75	65TD350	500
SWTPA350-4N-60-AA	3.5	2	3.00	9.75	60	0.63	0.63	0.75	65TD350	500
SWTPA350-4N4-30-AA	3.5	2	4.00	12.13	30	1.13	1.13	0.75	65TD350	500
SWTPA350-4N4-45-AA	3.5	2	4.00	11.10	45	1.13	1.13	0.75	65TD350	500
SWTPA350-4N4-60-AA	3.5	2	4.00	9.75	60	1.13	1.13	0.75	65TD350	500
SWTPA400-2N-30-AA	4	1	2.00	12.13	30	1.00	0.63	0.75	65TD400	500
SWTPA400-2N-45-AA	4	1	2.00	11.10	45	1.00	0.63	0.75	65TD400	500
SWTPA400-4N-30-AA	4	2	3.00	12.13	30	0.63	0.63	0.75	65TD400	500
SWTPA400-4N-45-AA	4	2	3.00	11.10	45	0.63	0.63	0.75	65TD400	500
SWTPA400-4N-60-AA	4	2	3.00	9.75	60	0.63	0.63	0.75	65TD400	500
SWTPA400-4N4-30-AA	4	2	4.00	12.13	30	1.13	1.13	0.75	65TD400	500
SWTPA400-4N4-45-AA	4	2	4.00	11.10	45	1.13	1.13	0.75	65TD400	500
SWTPA400-4N4-60-AA	4	2	4.00	9.75	60	1.13	1.13	0.75	65TD400	500
SWTPA500-4N4-30-AA	5	2	4.00	13.47	30	1.13	1.13	1.00	85TD500	500
SWTPA500-4N4-45-AA	5	2	4.00	12.57	45	1.13	1.13	1.00	85TD500	500
SWTPA500-4N4-60-AA	5	2	4.00	11.28	60	1.13	1.13	1.00	85TD500	500
SWTPA500-5N4-30-AA	5	3	5.00	13.47	30	0.75	1.13	1.00	85TD500	500
SWTPA500-5N4-45-AA	5	3	5.00	12.57	45	0.75	1.13	1.00	85TD500	500
SWTPA500-5N4-60-AA	5	3	5.00	11.28	60	0.75	1.13	1.00	85TD500	500
SWTPA500-6N4-30-AA	5	3	6.00	13.47	30	1.25	1.13	1.00	85TD500	500
SWTPA500-6N4-45-AA	5	3	6.00	12.57	45	1.25	1.13	1.00	85TD500	500
SWTPA500-6N4-60-AA	5	3	6.00	11.28	60	1.25	1.13	1.00	85TD500	500
SWTPA600-4N4-30-AA	6	2	4.00	16.35	30	1.13	1.13	1.00	115TD600	500
SWTPA600-4N4-45-AA	6	2	4.00	15.44	45	1.13	1.13	1.00	115TD600	500
SWTPA600-4N4-60-AA	6	2	4.00	14.15	60	1.13	1.13	1.00	115TD600	500
SWTPA600-5N4-30-AA	6	3	5.00	16.35	30	0.75	1.13	1.00	115TD600	500
SWTPA600-5N4-45-AA	6	3	5.00	15.44	45	0.75	1.13	1.00	115TD600	500
SWTPA600-5N4-60-AA	6	3	5.00	14.15	60	0.75	1.13	1.00	115TD600	500
SWTPA600-6N4-30-AA	6	3	6.00	16.35	30	1.25	1.13	1.00	115TD600	500
SWTPA600-6N4-45-AA	6	3	6.00	15.44	45	1.25	1.13	1.00	115TD600	500
SWTPA600-6N4-60-AA	6	3	6.00	14.15	60	1.25	1.13	1.00	115TD600	500