

INSTALLATION INSTRUCTIONS IDEAA, SPLICE ENCLOSURE

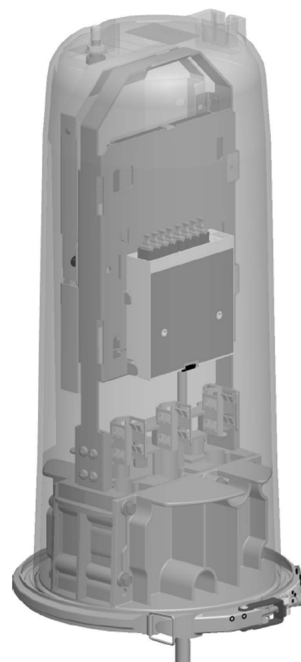
PACKAGE CONTENTS

DESCRIPTION	QTY
ENCLOSURE ASSEMBLY	1

TOOLS REQUIRED: RING CUTTER,
UTILITY KNIFE, SCREWDRIVER



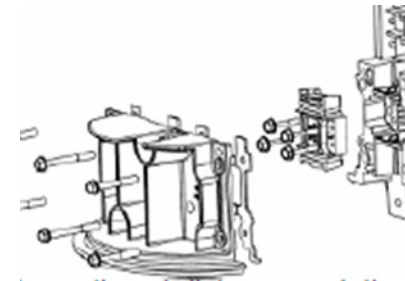
SC IDEAA Module



MPO IDEAA Module

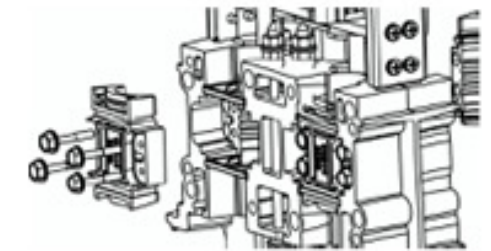
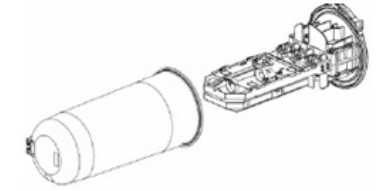
1 A. CABLE ENTRY

Prep the cables. Remove 90" of cable sheath for a full cut entry. Please keep in mind that a mid-span entry can be performed as well.



Loosen the six bolts to remove the C-half sections from the center section.

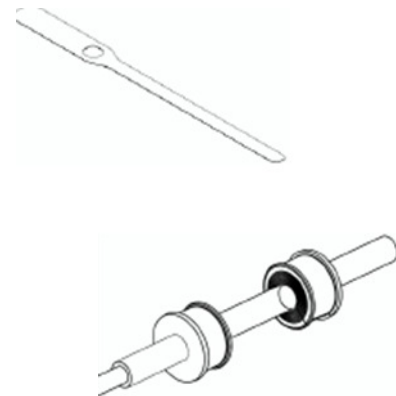
Locate and remove pressure valve protective cover. Depress valve core to equalize pressure. Remove V-band clamp. Lift and remove dome cover.



Loosen the four bolts to remove each cable clamp.

1 B. CABLE ENTRY

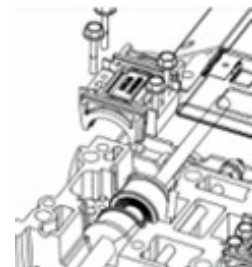
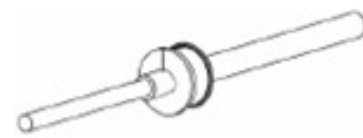
Wrap Band Mic around cable to determine number of grommet layers to be removed. If Band Mic reads between two numbers use the smaller of the two numbers.



Remove grommet layers by spreading and peeling them from the center of grommet.



Check grommet fit around cable. Grommet seam should seal when compressed by hand. Remove more layers as needed.

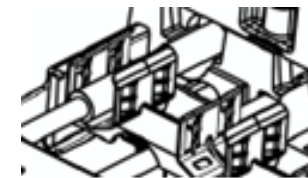
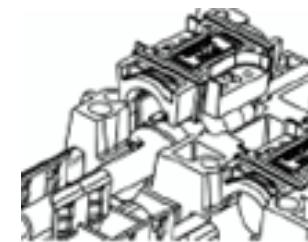


Remove layers from cable retention grommet and place it in cable retention area. Cable should be cradled by grommet after leaving cable entry port and remain level.

Place two grommets on each cable. Large flanges should fit into first and last slots of cable entry port and face away from each other. Rotate grommet seams to 90° of each other. Ensure that the large flanges of each grommet have been lubricated.

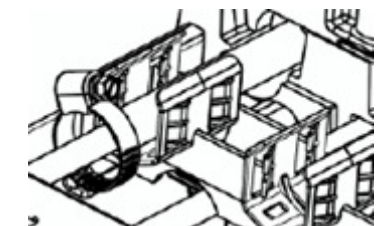
1 C. CABLE ENTRY

Lubricate cable clamp gaskets and reseal them. Be sure grommet flanges are lined up with slots. Tighten the four bolts in a crisscross pattern.



Install CSM housing over the CSM and onto the cable sheath.

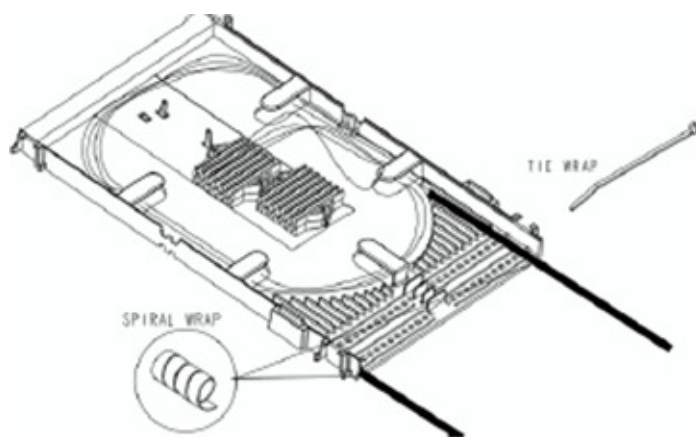
Trim the Cable Strength Member (CSM) to a length of 1.5". Be sure no buffer tubes are trapped beneath the CSM.



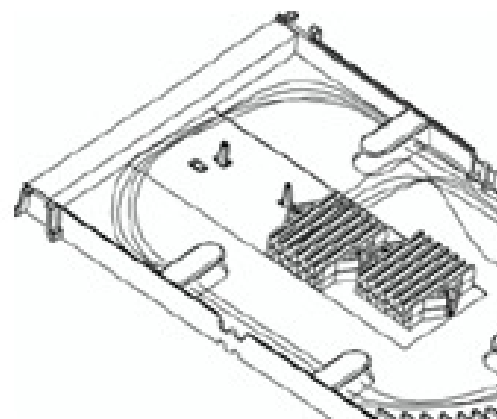
Place hose clamp around the CSM housing, cable sheath, and retention grommet. Tighten hose clamp to 25 in-lb.

3. SPLICE

- Temporarily mount splice tray.
- Route buffer tubes within the enclosure and direct them to the splice tray entry point.
- Mark buffer tubes for desired opening length.
- Strip the buffer tubes to expose the fibers.
- Secure buffer tubes to splice tray with tie wraps.



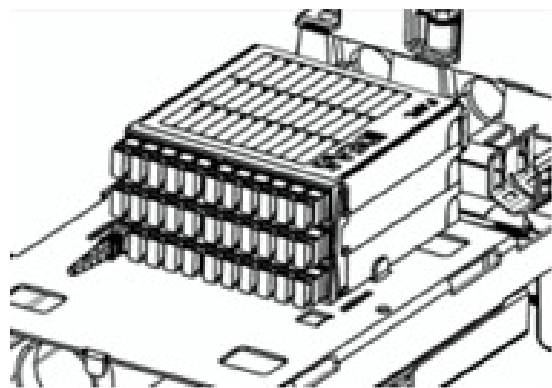
- Secure the pigtails to splice tray with tie wraps.
- Place the prepped splice tray on a flat working surface.
- Splice the incoming fibers to the pigtails.



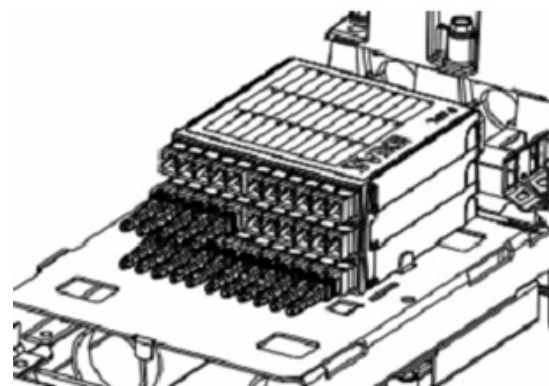
Note: Pigtails are supplied in the IDEAA Splice Closure Pigtail Kit (EA000168)

5. CONNECT IDEAA MODULE

Insert input connector into the black input adapter.



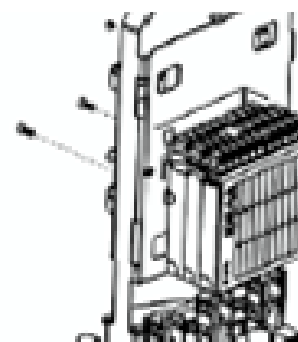
Insert each output connector into the next available adapter.



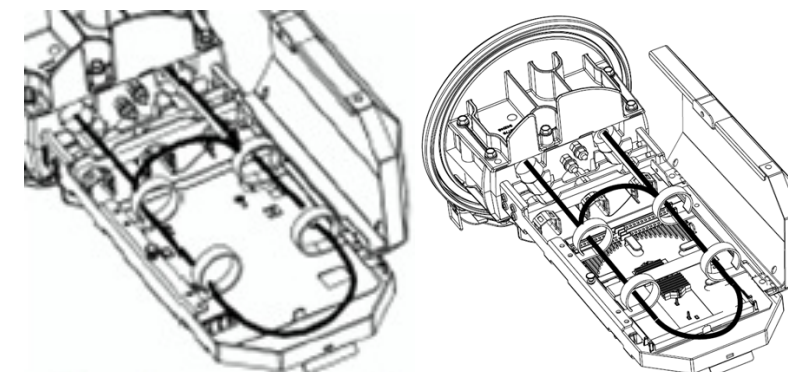
4. MOUNT IDEAA MODULE, ROUTE FIBER, AND MOUNT SPLICE TRAY

Stationary Mount (shown below)

Place the IDEAA Module onto the enclosure door as shown below. Place two flathead screws through the backside of the enclosure door and into the IDEAA Module (look for the larger, counter-sunk holes).



Route fibers into enclosure using the routing rings. Secure splice tray to enclosure using the hook and loop Velcro strap. Ensure that the strap surrounds both the splice tray and the IDEAA Module.



Hinged Mount

Use a flathead screwdriver to carefully open the bottom hinge of the IDEAA Module. Insert the mounting screws in through the holes on the module hinge and out through the enclosure door mounting holes. Please keep in mind that these are self-tapping screws.

6. SEAL ENCLOSURE

Ensure all fibers are routed in the routing rings and that the enclosure door is firmly closed. Seat gasket and place dome cover over enclosure.



Seal enclosure by closing V-clamp around bottom flange.

