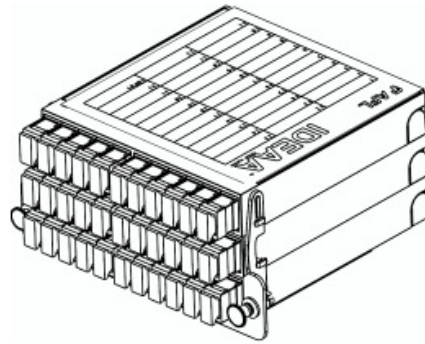


INSTALLATION INSTRUCTIONS IDEAA, LGX-118 RACK MOUNT

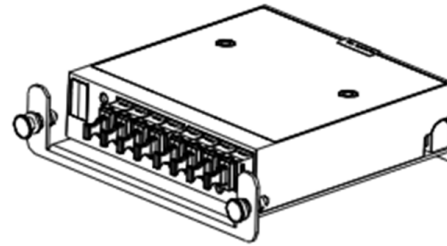
PACKAGE CONTENTS

DESCRIPTION	QTY
LGX-118 BRACKET	1
PLUNGER	2
GROMMET	2
10-32 X 1/2" SCREW	2

SC IDEAA Module



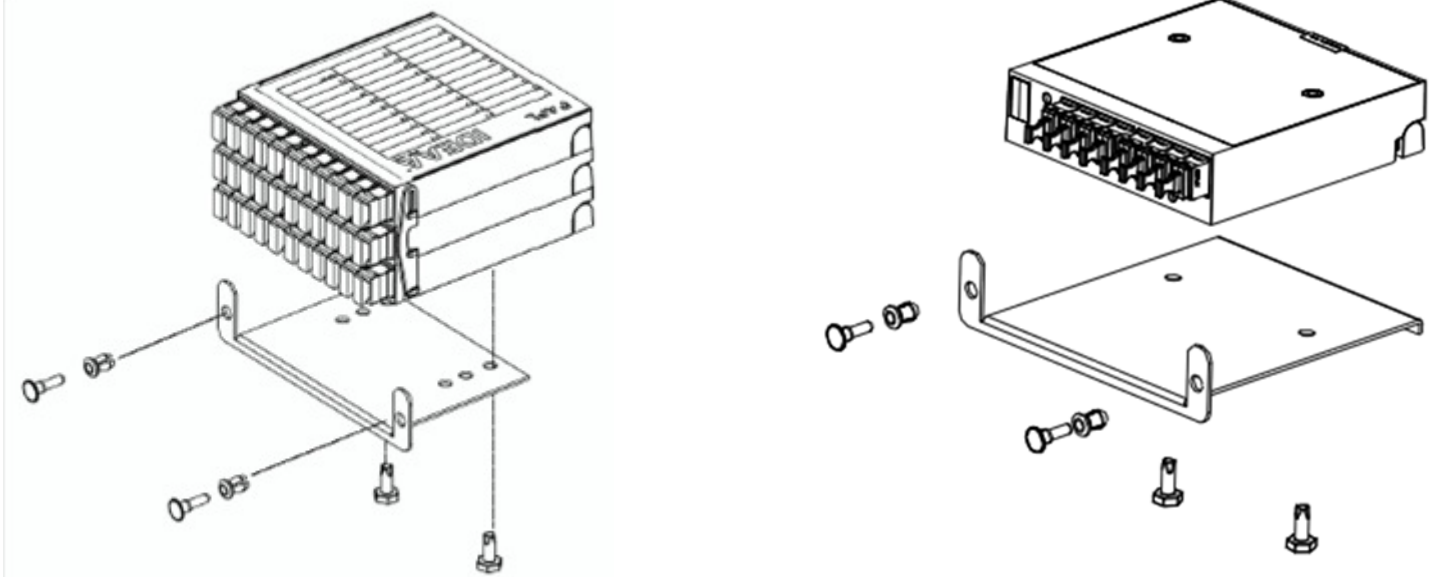
MPO IDEAA Module



TOOLS REQUIRED: SCREW DRIVER

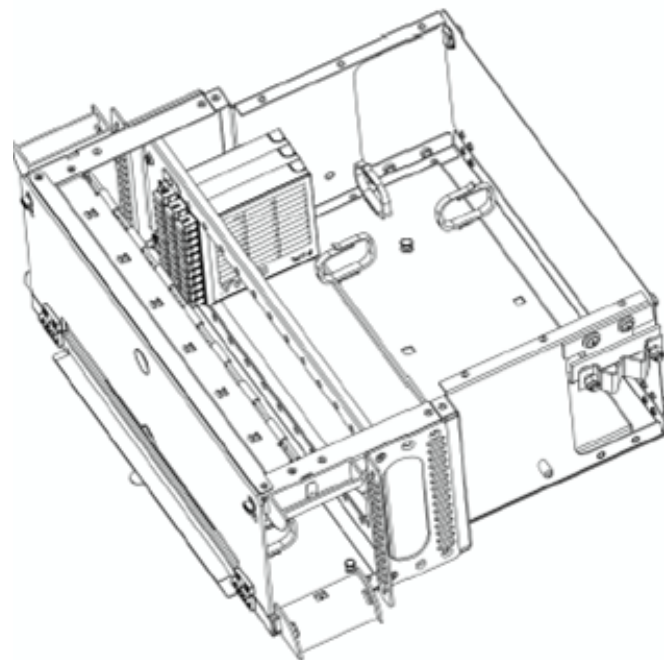
1. FASTEN IDEAA MODULE TO LGX-118 BRACKET

Insert screws through LGX-118 mounting bracket from the bottom and tighten into the module mounting holes. Secure the Nylatch plungers to the mounting bracket.



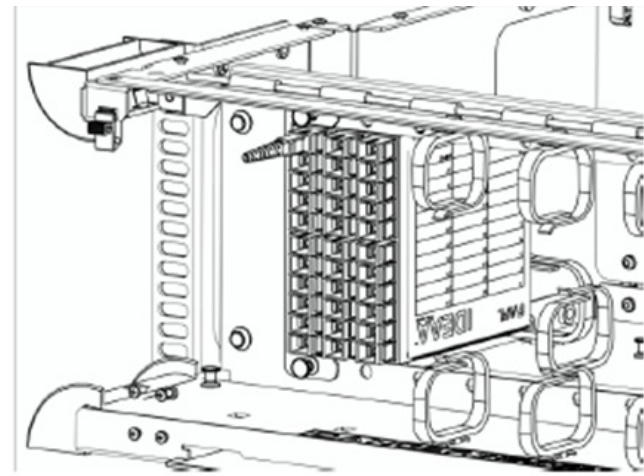
2. FASTEN LGX-118 BRACKET TO RACK

Attach the LGX-118 bracket to the rack using the Nylatch plungers.



3. CONNECT IDEAA MODULE

Insert input connector into the black input adapter.



Insert each output connector into next available adapter.

