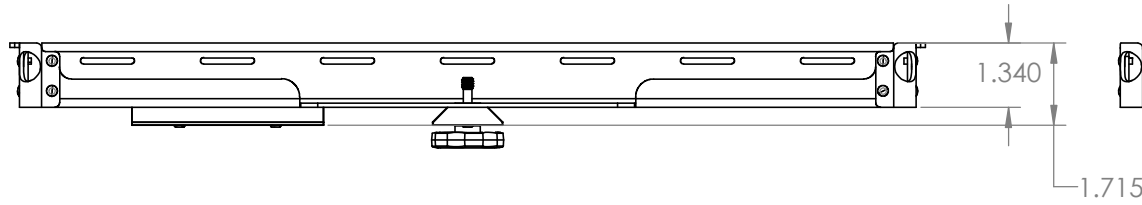
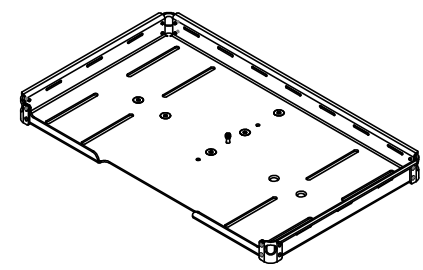
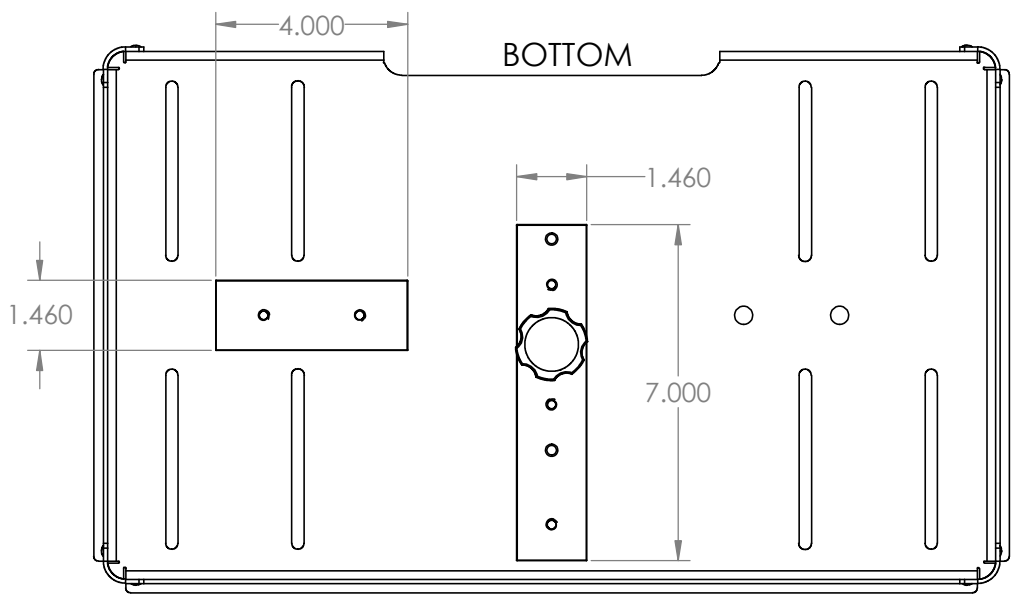
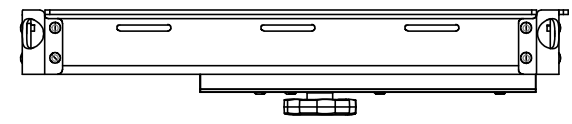



FRONT



SIDE



UNLESS OTHERWISE SPECIFIED: DIMENSIONS ARE IN inches X=±0.030 XX=±0.010 XXX=±0.005	DRAWN	NAME	DATE	 TITLE: Splice Tray Assembly
	CHECKED			
	ENG. APPR.			
	MFG. APPR.			
	Q.A.			
MATERIAL	COMMENTS			SIZE C PART No.
FINISH				REV 2
QTY.				SCALE: 1:2 WEIGHT: SHEET 1 OF 1

PROPRIETARY AND CONFIDENTIAL
 THE INFORMATION CONTAINED IN THIS DRAWING IS THE SOLE PROPERTY OF FAFL.
 ANY REPRODUCTION IN PART OR AS A WHOLE WITHOUT THE WRITTEN
 PERMISSION OF FAFL IS PROHIBITED.