

TYPE PL-AA

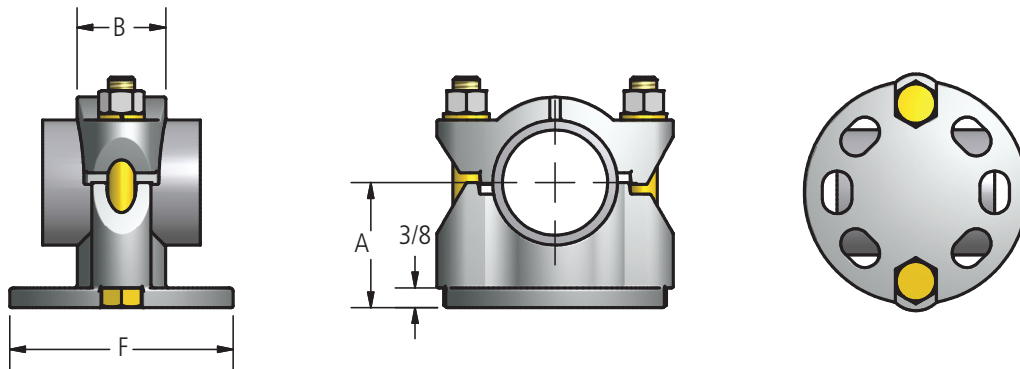
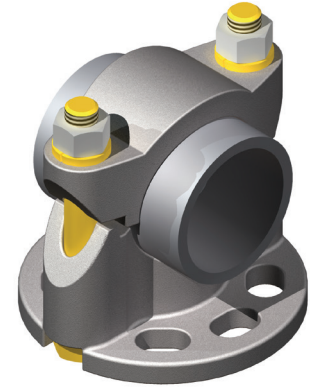
Pipe Bus Support Slide or Tight Fit

Material

Aluminum Alloy

Hardware

Yellow anodized aluminum bolts, nuts, and lockwashers.
Galvanized steel base mounting hardware is included.



Ordering Information

CATALOG NUMBER	SPS	BOLT CIRCLE	DIMENSIONS IN INCHES			
			A	B	F	Bolt Size
PL75-3-AA	3/4	3	1 3/8	1 1/2	4 1/4	1/2
PL75-5-AA	3/4	5	1	1 1/2	6 1/4	1/2
PL100-3-AA	1	3	1 5/8	1 1/2	4 1/4	1/2
PL100-5-AA	1	5	1 1/8	1 1/2	6 1/4	1/2
PL125-3-AA	1 1/4	3	1 3/4	1 11/16	4 1/4	1/2
PL125-5-AA	1 1/4	5	1 3/8	1 11/16	6 1/4	1/2
PL150-3-AA	1 1/2	3	2	1 11/16	4 1/4	1/2
PL150-5-AA	1 1/2	5	1 1/2	1 11/16	6 1/4	1/2
PL200-3-AA	2	3	2 3/8	1 11/16	4 1/4	1/2
PL200-5-AA	2	5	2 1/4	1 11/16	6 1/4	1/2
PL250-3-AA	2 1/2	3	2 5/8	1 3/4	4 1/4	1/2
PL250-5-AA	2 1/2	5	2 1/2	1 3/4	6 1/4	1/2
PL300-3-AA	3	3	2 7/8	1 3/4	6 1/4	5/8
PL300-5-AA	3 1/2	5	3	1 3/4	6 1/4	5/8

AFL's Dossert® product line offers a wide range of substation accessories in low voltage up to 765 kV applications in bronze or aluminum materials.