

DOSSERT®

TYPE 15950, 15960 Flexible Rope Lay Assemblies

Aluminum flexible rope lay assemblies are designed to connect to aluminum or copper pads. Pads conform to NEMA standards. Lengths other than those shown can be supplied if required. Current ratings are based on 30°C rise over 40°C ambient.

Material

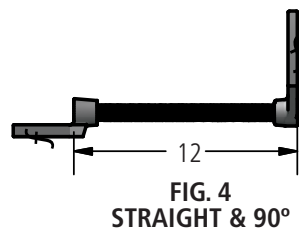
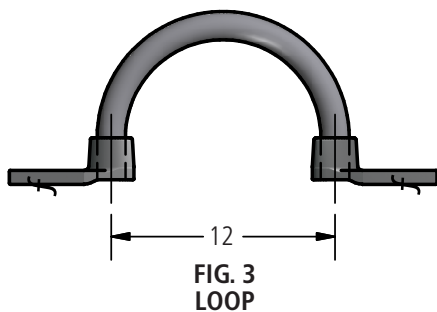
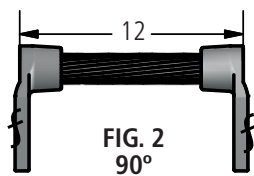
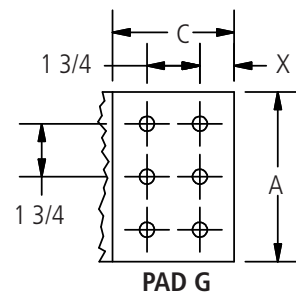
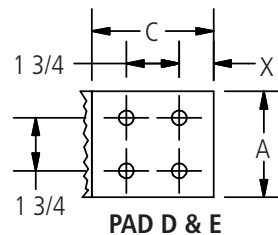
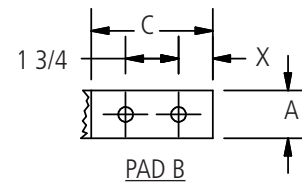
Aluminum Alloy

Ordering Instructions

- Determine the catalog number by terminal arrangement and current rating required.
Ex: For 90° terminals at 1660 amperes, the catalog number is: 15960.
- For pad sizes and location of holes, note letter in catalog number and refer to page 3.



230 kV Aluminum Welded



Ordering Information

CATALOG NUMBER	FIG. NO.	CURRENT RATING AMPERES	ROPE LAY CONDUCTOR		PAD SIZE	PAD THICKNESS INCHES	NOMINAL WEIGHT LBS
			SIZE	NO.			
15950	1	600	636 KCMIL	1	B	0.69	1.40
15951	2	600	636 KCMIL	1	B	0.69	1.40
15952	3	600	636 KCMIL	1	B	0.69	1.70
15953	1	996	636 KCMIL	2	D	0.69	5.20
15954	2	996	636 KCMIL	2	D	0.69	5.20
15955	3	996	636 KCMIL	2	D	0.69	5.80
15956	1	1000	1272 KCMIL	1	D	0.69	3.10
15957	2	1000	1272 KCMIL	1	D	0.69	3.10
15958	3	1000	1272 KCMIL	1	D	0.69	3.70
15959	1	1660	1272 KCMIL	2	E	1.00	8.90
15960	2	1660	1272 KCMIL	2	E	1.00	8.90
15961	3	1660	1272 KCMIL	2	E	1.00	10.10
15962	1	2160	1272 KCMIL	3	G*	0.75	12.90
15963	2	2160	1272 KCMIL	3	G*	0.75	12.90
15964	3	2160	1272 KCMIL	3	G*	0.75	14.70
15965	4	600	636 KCMIL	1	B	0.69	1.40
15966	4	996	636 KCMIL	2	D	0.69	5.20
15967	4	1000	1272 KCMIL	1	D	0.69	3.10
15968	4	1660	1272 KCMIL	2	E	1.00	8.90
15969	4	2160	1272 KCMIL	3	G*	0.75	12.90

* Pad width is 6.75".

PAD DIMENSIONS			
PAD SIZE	DIMENSIONS IN INCHES		
	A	C	X
B	1 3/4	3 1/2	5/8
D	3	3 1/2	5/8
E	4	4 1/2	1 1/8
G	6	4 1/2	1 1/4

DOSSERT®

TYPE WP2C-N-AA, WP2CA-N-30-AA, WP2CA-N-45-AA, WP2CA-N-90-AA

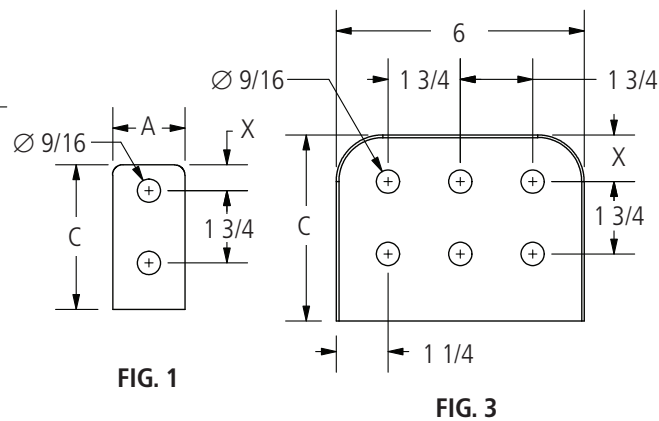
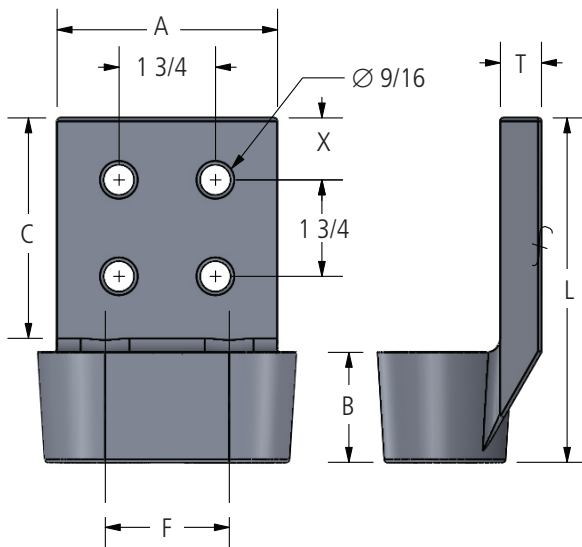
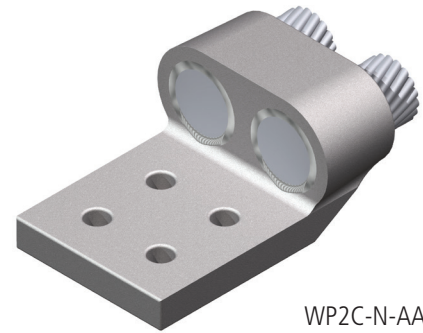
Welded Terminal to Two Cables

Material

Aluminum Alloy

Notes

1. Add "U" for undrilled. Ex: WP2C35-2NU-AA
2. Add "F" for finished on both sides
3. For a 30° add suffix '-30', for a 45° add suffix '-45', and for a 90° add suffix '-90'. You must also add an 'A' after WP2C.
4. For a 350 MCM cable, with a 4 hole pad finished on both sides, with a 45° angle use WP2CA35-4NF-45-AA.



continued
→



230 kV Aluminum Welded Terminal Connectors

DOSSERT®

TYPE WP2C-N-AA, WP2CA-N-30-AA, WP2CA-N-45-AA, WP2CA-N-90-AA

Ordering Information

CATALOG NUMBER	FIG. NO.	CABLE RANGE		DIMENSIONS IN INCHES						
		ALUMINUM	ACSR	A	B	C	F	L	T	X
WP2C35-2N-AA	1	336.4 (19), 350 (19,37,61)	300 (26/7)	1 5/8	1 1/4	3	1 1/4	4 1/2	3/8	5/8
WP2C35-4N-AA	2	336.4 (19), 350 (19,37,61)	300 (26/7)	3	1 1/4	3	1 1/4	4 1/2	3/8	5/8
WP2C35-4N4-AA	2	336.4 (19), 350 (19,37,61)	300 (26/7)	4	1 1/4	4	1 1/4	5 1/2	3/8	1 1/8
WP2C40-2N-AA	1	397.5 (19), 350 (19,37,61)	336.4 (18/1,26/7,30/7)	1 5/8	1 1/4	3	1 1/4	4 1/2	3/8	5/8
WP2C40-4N-AA	2	397.5 (19), 400 (19,37)	336.4 (18/1,26/7,30/7)	3	1 1/4	3	1 3/8	4 1/2	3/8	5/8
WP2C48-2N-AA	1	450 (19,37,61), 477 (19,37)	397.5 18/1,24/7,26/7,30/18)	1 5/8	1 1/4	3	1 3/8	4 1/2	3/8	5/8
WP2C48-4N-AA	2	450 (19,37,61), 477 (19,37)	397.5 18/1,24/7,26/7,30/18)	3	1 1/4	3	1 3/8	4 1/2	3/8	5/8
WP2C55-2N-AA	1	500 (19,37,61), 550 (61,91), 556.5 (19,37)	477 (18/1,24/7,26/7,30/7)	1 5/8	1 1/4	3	1 3/8	4 1/2	3/8	5/8
WP2C55-4N-AA	2	500 (19,37,61), 550 (61,91), 556.5 (19,37)	477 (18/1,24/7,26/7,30/7)	3	1 1/4	3	1 3/8	4 1/2	3/8	5/8
WP2C55-4N4-AA	2	500 (19,37,61), 550 (61,91), 556.5 (19,37)	477 (18/1,24/7,26/7,30/7)	4	1 1/4	4	1 3/8	5 1/2	3/8	1 1/8
WP2C65-2N-AA	1	600 (37,61,91), 636 (37), 650 (37,61,91)	556.5 (18/1,24/7,26/7)	1 5/8	1 1/2	3	1 5/8	4 3/4	1/2	5/8
WP2C65-4N-AA	2	600 (37,61,91), 636 (37), 650 (37,61,91)	556.5 (18/1,24/7,26/7)	3	1 1/2	3	1 5/8	4 3/4	1/2	5/8
WP2C65-4N4-AA	2	600 (37,61,91), 636 (37), 650 (37,61,91)	556.5 (18/1,24/7,26/7)	4	1 1/2	4	1 5/8	5 3/4	1/2	1 1/8
WP2C71-2N-AA	1	650 (37,61,91), 700 (37,61,91), 715.5 (37,61)	636 (24/7,26/7), 605 (24/7,26/7,30/19)	1 5/8	1 1/2	3	1 5/8	4 3/4	1/2	5/8
WP2C71-4N-AA	2	650 (37,61,91), 700 (37,61,91), 715.5 (37,61)	636 (24/7,26/7), 605 (24/7,26/7,30/19)	3	1 1/2	3	1 5/8	4 3/4	1/2	5/8
WP2C71-4N4-AA	2	650 (37,61,91), 700 (37,61,91), 715.5 (37,61)	636 (24/7,26/7), 605 (24/7,26/7,30/19)	4	1 1/2	4	1 5/8	5 3/4	1/2	1 1/8
WP2C80-2N-AA	1	750 (37,61,91), 795 (37,61), 800 (61,91)	636 (30/19), 666.6 (24/7,26/7), 715.5 (27/4)	1 3/4	1 1/2	3	1 5/8	4 3/4	1/2	5/8
WP2C80-4N-AA	2	750 (37,61,91), 795 (37,61), 800 (61,91)	636 (30/19), 666.6 (24/7,26/7), 715.5 (27/4)	3	1 1/2	3	1 5/8	4 3/4	1/2	5/8
WP2C80-4N4-AA	2	750 (37,61,91), 795 (37,61), 800 (61,91)	636 (30/19), 666.6 (24/7,26/7), 715.5 (27/4)	4	1 1/2	4	1 5/8	5 3/4	1/2	1 1/8
WP2C90-2N-AA	1	800 (61,91), 874.5 (37,61), 900 (37,61,91)	715.5 (30/19), 795 (36/1,45/7,24/7,54/7)	2	1 1/2	3	1 5/8	4 3/4	1/2	5/8
WP2C90-4N-AA	2	800 (61,91), 874.5 (37,61), 900 (37,61,91)	715.5 (30/19), 795 (36/1,45/7,24/7,54/7)	3	1 1/2	3	1 5/8	4 3/4	1/2	5/8
WP2C90-4N4-AA	2	800 (61,91), 874.5 (37,61), 900 (37,61,91)	715.5 (30/19), 795 (36/1,45/7,24/7,54/7)	4	1 1/2	4	1 5/8	5 3/4	1/2	1 1/8
WP2C95-2N-AA	1	900 (37,61), 954 (37,61)	795 (30/19), 874.5 (54/7), 900 (45/7,54/7)	2	1 3/4	3	1 5/8	5	1/2	5/8
WP2C95-4N-AA	2	900 (37,61), 954 (37,61)	795 (30/19), 874.5 (54/7), 900 (45/7,54/7)	3	1 3/4	3	1 5/8	5	1/2	5/8
WP2C95-4N4-AA	2	900 (37,61), 954 (37,61)	795 (30/19), 874.5 (54/7), 900 (45/7,54/7)	4	1 3/4	4	1 3/4	6	1/2	1 1/8
WP2C103-2N-AA	1	954 (37,61), 1000 (37,61,91), 1033.5 (37,61)	954,36/1,45/7,54/7)	2	1 3/4	3	1 3/4	5	1/2	5/8
WP2C103-4N-AA	2	954 (37,61), 1000 (37,61,91), 1033.5 (37,61)	954,36/1,45/7,54/7)	3	1 3/4	3	1 3/4	5	1/2	5/8
WP2C103-4N4-AA	2	954 (37,61), 1000 (37,61,91), 1033.5 (37,61)	954,36/1,45/7,54/7)	4	1 3/4	4	1 7/8	6	1/2	1 1/8

continued →

230 kV Aluminum Welded



230 kV Aluminum Welded Terminal Connectors

DOSSERT®

TYPE WP2C-N-AA, WP2CA-N-30-AA, WP2CA-N-45-AA, WP2CA-N-90-AA

Ordering Information

CATALOG NUMBER	FIG. NO.	CABLE RANGE		DIMENSIONS IN INCHES						
		ALUMINUM	ACSR	A	B	C	F	L	T	X
WP2C111-2N-AA	1	1100 (91,127), 1113 (61)	1033.5 (36/1,45/7,54/7)	2 1/2	1 3/4	3	1 7/8	5	1/2	5/8
WP2C111-4N-AA	2	1100 (91,127), 1113 (61)	1033.5 (36/1,45/7,54/7)	3	1 3/4	3	1 7/8	5	1/2	5/8
WP2C111-4N4-AA	2	1100 (91,127), 1113 (61)	1033.5 (36/1,45/7,54/7)	4	1 3/4	4	2 1/4	6	1/2	1 1/8
WP2C127R-4N-AA	2	1272MCM ROPELAY	NA	3	2	3	2 1/4	5 1/2	3/4	5/8
WP2C127R-4N4-AA	2	1272MCM ROPELAY	NA	4	2	4	2 1/4	6 1/4	3/4	1 1/8
WP2C135-2N-AA	1	1192.5 (61), 1200 (91,127), 1250 (91,127), 1272 (61), 1300 (91,127), 1351.5 (61)	1113 (45/7,54/19), 1192.5 (45/7,54/19)	2 1/2	2	3	2 1/4	5 1/4	5/8	5/8
WP2C135-4N-AA	2	1192.5 (61), 1200 (91,127), 1250 (91,127), 1272 (61), 1300 (91,127), 1351.5 (61)	1113 (45/7,54/19), 1192.5 (45/7,54/19)	3	2	3	2 1/4	5 1/4	5/8	5/8
WP2C135-4N4-AA	2	1192.5 (61), 1200 (91,127), 1250 (91,127), 1272 (61), 1300 (91,127), 1351.5 (61)	1113 (45/7,54/19), 1192.5 (45/7,54/19)	4	2	4	2 1/4	6 1/4	5/8	1 1/8
WP2C151-2N-AA	2	1400 (91,127), 1431 (61), 1500 (91,127), 1510.5 (61)	1272 (45/7,54/19), 1351.5 (45/7,54/19)	3	2	3	2 1/4	5 1/4	3/4	5/8
WP2C151-4N-AA	2	1400 (91,127), 1431 (61), 1500 (91,127), 1510.5 (61)	1272 (45/7,54/19), 1351.5 (45/7,54/19)	3	2	3	2 1/4	5 3/4	3/4	5/8
WP2C151-4N4-AA	2	1400 (91,127), 1431 (61), 1500 (91,127), 1510.5 (61)	1272 (45/7,54/19), 1351.5 (45/7,54/19)	4	2	4	2 1/4	6 1/4	3/4	1 1/8
WP2C151-6N4-AA	3	1400 (91,127), 1431 (61), 1500 (91,127), 1510.5 (61)	1272 (45/7,54/19), 1351.5 (45/7,54/19)	6	2	4	2 1/4	6 1/4	3/4	1 1/8
WP2C170-2N-AA	2	1590 (61), 1600 (127,169), 1700 (127,169)	1431 (45/7,54/19), 1510.5 (45/7,54/19)	3	2	3	2 1/4	5 1/4	3/4	5/8
WP2C170-4N-AA	2	1590 (61), 1600 (127,169), 1700 (127,169)	1431 (45/7,54/19), 1510.5 (45/7,54/19)	3	2 1/4	3 1/2	2 1/4	6	3/4	5/8
WP2C170-4N4-AA	2	1590 (61), 1600 (127,169), 1700 (127,169)	1431 (45/7,54/19), 1510.5 (45/7,54/19)	4	2 1/4	4	2 1/4	6 1/2	3/4	1 1/8
WP2C170-6N4-AA	3	1590 (61), 1600 (127,169), 1700 (127,169)	1431 (45/7,54/19), 1510.5 (45/7,54/19)	6	2 1/4	4	2 1/4	6 1/2	3/4	1 1/8
WP2C190-4N-AA	2	1750 (127,169), 1800 (127,169), 1900 (127,169)	1590 (45/7,54/19), 1780 (84/19)	3	2 1/4	3	2 1/4	5 1/2	3/4	5/8
WP2C190-4N4-AA	2	1750 (127,169), 1800 (127,169), 1900 (127,169)	1590 (45/7,54/19), 1780 (84/19)	4	2 1/4	4	2 1/4	6 1/2	3/4	1 1/8
WP2C225-4N-AA	2	2000 (91,127,169), 2250 (91)	2167 (72/7)	3	2 1/4	3	2 1/2	5 1/2	3/4	5/8
WP2C225-4N4-AA	2	2000 (91,127,169), 2250 (91)	2167 (72/7)	4	2 1/4	4	2 1/2	6 1/2	3/4	1 1/8
WP2C225-6N4-AA	3	2000 (91,127,169), 2250 (91)	2167 (72/7)	6	2 1/4	4	2 1/2	6 1/2	3/4	1 1/8
WP2C250-4N-AA	2	2500 (91,127,169)	2156 (84/19)	3	2 1/4	3	2 3/4	5 1/2	3/4	5/8
WP2C250-4N4-AA	2	2500 (91,127,169)	2156 (84/19)	4	2 1/4	4	2 3/4	6 1/2	3/4	1 1/8
WP2C250-6N4-AA	3	2500 (91,127,169)	2156 (84/19)	6	2 1/4	4	2 3/4	6 1/2	3/4	1 1/8
WP2C300-4N-AA	2	2750 (91), 3000 (127,169)	2870 ACSR	3	2 1/4	3	2 3/4	5 1/2	7/8	5/8
WP2C300-4N4-AA	2	2750 (91), 3000 (127,169)	2870 ACSR	4	2 1/4	4	2 3/4	6 1/2	7/8	1 1/8

230 kV Aluminum Welded

DOSSERT®

TYPE WPC-N-AA, WPCA-N-30-AA, WPCA-N-45-AA, WPCA-N-90-AA

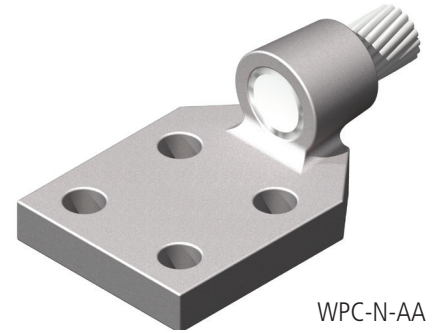
Offset Welded Terminal to Cable

Material

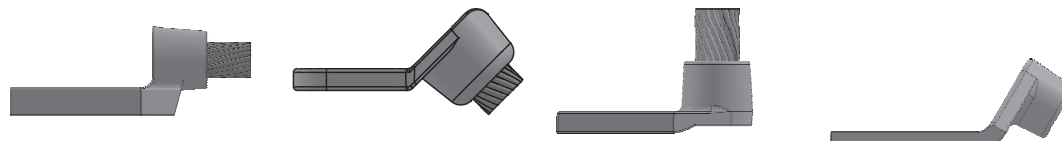
Aluminum Alloy

Notes

- Add "U" for undrilled
- Add "F" for finished on both sides
- For a 3", 4-hole NEMA pad at 45° angle to 450 MCM cable, order: WPCA48-4N-45-AA
- For a 3", 4-hole NEMA pad at 90° angle finished on both sides to 450 MCM cable, order: WPCA48-4NF-90-AA



WPC-N-AA



WPC-N-AA

WPCA-N-45-AA

WPCA-N-90-AA

WPCA-N-30-AA



WPCA-N-90-AA

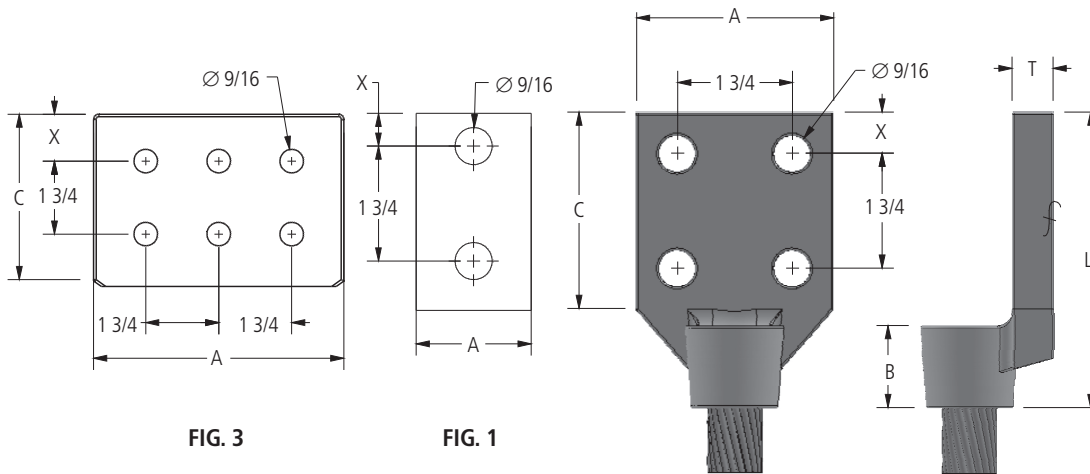


FIG. 3

FIG. 1

FIG. 2

Ordering Information

CATALOG NUMBER	FIG. NO.	CABLE RANGE		DIMENSIONS IN INCHES					
		ALUMINUM	ACSR	A	B	C	T	L	X
WPC10-2N-AA	1	1/0 (7,19)	1 (6/1), 1/0 (6/1)	1 1/4	3/4	3	5/16	4	5/8
WPC10-4N-AA	2	1/0 (7,19)	1 (6/1), 1/0 (6/1)	3	3/4	3	5/16	4	5/8
WPC13-2N-AA	1	2/0 (7,19,37)	2/0, (6/1)	1 1/4	3/4	3	5/16	4	5/8
WPC17-2N-AA	1	3/0 (7,19,37)	101.8 (12/7), 3/0 (6/1)	1 1/4	3/4	3	5/16	4	5/8
WPC21-2N-AA	1	4/0 (7,19,37), 246.9 (7)	134.6 (12/7), 4/0 (6/1)	1 3/4	1	3	3/8	4 1/4	5/8
WPC21-4N-AA	2	4/0 (7,19,37), 246.9 (7)	134.6 (12/7), 4/0 (6/1)	3	1	3	5/16	4 1/4	5/8

continued
→



230 kV Aluminum Welded Terminal Connectors

DOSSERT®

TYPE WPC-N-AA, WPCA-N-30-AA, WPCA-N-45-AA, WPCA-N-90-AA

Ordering Information

CATALOG NUMBER	FIG. NO.	CABLE RANGE		DIMENSIONS IN INCHES					
		ALUMINUM	ACSR	A	B	C	T	L	X
WPC21-4N4-AA	2	4/0 (7,19,37), 246.9 (7)	134.6 (12/7), 4/0 (6/1)	4	1	4	5/16	5 1/4	1 1/8
WPC31-2N-AA	1	250 (7,19,97,61)266.8 (7,19), 300 (19,37,61), 312.8 (19)	159 (12/7), 226.8 (19/1,26/7)	1 3/4	1	3	3/8	4 1/4	5/8
WPC31-4N-AA	2	250 (7,19,97,61)266.8 (7,19), 300 (19,37,61), 312.8 (19)	159 (12/7), 226.8 (19/1,26/7)	3	1	3	3/8	4 1/4	5/8
WPC31-4N4-AA	2	250 (7,19,97,61)266.8 (7,19), 300 (19,37,61), 312.8 (19)	159 (12/7), 226.8 (19/1,26/7)	4	1 1/4	4	3/8	5 1/2	1 1/8
WPC35-2N-AA	1	336.4 (19), 350 (19,37,61)	300 (26/7)	1 3/4	1	3	3/8	4 1/4	5/8
WPC35-4N-AA	2	336.4 (19), 350 (19,37,61)	300 (26/7)	3	1	3	3/8	4 1/4	5/8
WPC35-4N4-AA	2	336.4 (19), 350 (19,37,61)	300 (26/7)	4	1 1/4	4	3/8	5 1/2	1 1/8
WPC40-2N-AA	1	397.5 (19), 400 (37,61)	336.4 (18/1,26/7,30/7)	1 3/4	1 1/4	3	3/8	4 1/2	5/8
WPC40-4N-AA	2	397.5 (19), 400 (37,61)	336.4 (18/1,26/7,30/7)	3	1 1/4	3	3/8	4 1/2	5/8
WPC40-4N4-AA	2	397.5 (19), 400 (37,61)	336.4 (18/1,26/7,30/7)	4	1 1/4	4	3/8	5 1/2	1 1/8
WPC48-2N-AA	1	450 (19,37,61), 477 (19,37)	397.5 (18/1,24/7,26/7,30/7)	1 5/8	1 1/4	3	3/8	4 1/2	5/8
WPC48-4N-AA	2	450 (19,37,61), 477 (19,37)	397.5 (18/1,24/7,26/7,30/7)	3	1 1/4	3	5/8	4 1/2	5/8
WPC48-4N4-AA	2	450 (19,37,61), 477 (19,37)	397.5 (18/1,24/7,26/7,30/7)	4	1 1/4	4 1/2	3/8	6 3/16	1 1/8
WPC55-2N-AA	1	500 (19,37,61), 550 (61,91), 556.5 (19,37)	477 (18/1,24/7,26/7,30/7)	1 5/8	1 1/4	3	3/8	4 1/2	5/8
WPC55-4N-AA	2	500 (19,37,61), 550 (61,91), 556.5 (19,37)	477 (18/1,24/7,26/7,30/7)	3	1 1/4	3	3/8	4 1/2	5/8
WPC55-4N4-AA	2	500 (19,37,61), 550 (61,91), 556.5 (19,37)	477 (18/1,24/7,26/7,30/7)	4	1 1/4	4	3/8	5 1/2	1 1/8
WPC65-2N-AA	1	600 (37,61,91), 636 (37), 650 (37,61,91)	556.5 (18/1,24/7,26/7)	1 3/4	1 1/2	3	1/2	4 3/4	5/8
WPC65-4N-AA	2	600 (37,61,91), 636 (37), 650 (37,61,91)	556.5 (18/1,24/7,26/7)	3	1 1/2	3	1/2	4 3/4	5/8
WPC65-4N4-AA	2	600 (37,61,91), 636 (37), 650 (37,61,91)	556.5 (18/1,24/7,26/7)	4	1 1/2	4	1/2	5 3/4	1 1/8
WPC71-2N-AA	1	650 (37,61,91), 700 (37,61,91), 715.5 (37,61)	636 (24/7,26/7), 605 (24/7,26/7,30/19)	1 3/4	1 1/2	3	1/2	4 3/4	5/8
WPC71-4N-AA	2	650 (37,61,91), 700 (37,61,91), 715.5 (37,61)	636 (24/7,26/7), 605 (24/7,26/7,30/19)	3	1 1/2	3	1/2	4 3/4	5/8
WPC71-4N4-AA	2	650 (37,61,91), 700 (37,61,91), 715.5 (37,61)	636 (24/7,26/7), 605 (24/7,26/7,30/19)	4	1 1/2	4	1/2	5 3/4	1 1/8
WPC79-2N-AA	1	795 MCM	—	1 3/4	1 1/2	3	5/8	4 3/4	5/8
WPC79-3N-AA	2	795 MCM	—	3	1 1/2	3	5/8	4 3/4	5/8
WPC80-2N-AA	1	750 (37,61,91), 795 (37,61), 800 (61,91)	636 (30/19), 666.6 (24/7,26/7), 715.5 (24/7)	1 3/4	1 1/2	3	1/2	4 3/4	5/8
WPC80-2N3-AA	1	750 (37,61,91), 795 (37,61), 800 (61,91)	636 (30/19), 666.6 (24/7,26/7), 715.5 (24/7)	2	1 1/2	3	1/2	4 3/4	5/8
WPC80-4N-AA	2	750 (37,61,91), 795 (37,61), 800 (61,91)	636 (30/19), 666.6 (24/7,26/7), 715.5 (24/7)	3	1 1/2	3	1/2	4 3/4	5/8
WPC80-4N4-AA	2	750 (37,61,91), 795 (37,61), 800 (61,91)	636 (30/19), 666.6 (24/7,26/7), 715.5 (24/7)	4	1 1/2	4	1/2	5 3/4	1 1/8
WPC90-2N-AA	1	800 (61,91), 874.5 (37,61), 900 (37,61,91)	715.5 (30/19), 795 (36/1,45/7,24/7,54/7)	2	1 1/2	3	1/2	4 3/4	5/8
WPC90-4N-AA	2	800 (61,91), 874.5 (37,61), 900 (37,61,91)	715.5 (30/19), 795 (36/1,45/7,24/7,54/7)	3	1 1/2	3	1/2	4 3/4	5/8
WPC90-4N4-AA	2	800 (61,91), 874.5 (37,61), 900 (37,61,91)	715.5 (30/19), 795 (36/1,45/7,24/7,54/7)	4	1 1/2	4	1/2	5 3/4	1 1/8
WPC95-2N-AA	1	900 (37,61), 954 (37,61)	795 (26/7, 30/19), 874.5 (54/7), 900 (45/7,54/7)	2	1 3/4	3	1/2	5	5/8
WPC95-4N-AA	2	900 (37,61), 954 (37,61)	795 (26/7, 30/19), 874.5 (54/7), 900 (45/7,54/7)	3	1 3/4	3	1/2	5	5/8
WPC95-4N4-AA	2	900 (37,61), 954 (37,61)	795 (26/7, 30/19), 874.5 (54/7), 900 (45/7,54/7)	4	1 3/4	4	1/2	6	1 1/8

230 kV – Welded Terminal Conn.

continued
→



DOSSERT®

TYPE WPC-N-AA, WPCA-N-30-AA, WPCA-N-45-AA, WPCA-N-90-AA

Ordering Information

CATALOG NUMBER	FIG. NO.	CABLE RANGE		DIMENSIONS IN INCHES					
		ALUMINUM	ACSR	A	B	C	T	L	X
WPC103-2N-AA	1	954 (37/61), 1000 (37,61,91), 1033.5 (37,61)	954 (36/1,45/7,54/7)	2	1 3/4	3	1/2	5	5/8
WPC103-4N-AA	2	954 (37/61), 1000 (37,61,91), 1033.5 (37,61)	954 (36/1,45/7,54/7)	3	1 3/4	3	1/2	5	5/8
WPC103-4N4-AA	2	954 (37/61), 1000 (37,61,91), 1033.5 (37,61)	954 (36/1,45/7,54/7)	4	1 3/4	4	1/2	6	1 1/8
WPC103-4N4-AA-T3/4	2	954 (37/61), 1000 (37,61,91), 1033.5 (37,61)	954 (36/1,45/7,54/7)	4	1 3/4	4	3/4	6	1 1/8
WPC111-2N-AA	1	1100 (91,127), 1113 (61)	1033.5 (36/1,45/7,54/7)	2 1/2	1 3/4	3	1/2	5	5/8
WPC111-4N-AA	2	1100 (91,127), 1113 (61)	1033.5 (36/1,45/7,54/7)	3	1 3/4	3	1/2	5	5/8
WPC111-4N4-AA	2	1100 (91,127), 1113 (61)	1033.5 (36/1,45/7,54/7)	4	1 3/4	4	1/2	6	1 1/8
WPC127A-4N-AA	2	—	1272 MCM	3	2	3	3/4	5 1/4	5/8
WPC127A-4N4-AA	2	—	1272 MCM	4	2	4	11/16	5 1/2	1 1/8
WPC127R-4N-AA	2	1272 MCM ROPE LAY	—	3	2	3	11/16	5 1/2	5/8
WPC127R-4N4-AA	2	1272 MCM ROPE LAY	—	4	2	4 1/4	11/16	6 1/2	1 1/8
WPC135-2N-AA	1	1192.5 (61), 1200 (91,127), 1250 (91,127), 1272 (61), 1300 (91,127), 1351.5 (61)	1113 (45/7,54/19), 1192.5 (45/7,54/19)	2 1/2	2	3	9/16	5 1/4	5/8
WPC135-4N-AA	2	1192.5 (61), 1200 (91,127), 1250 (91,127), 1272 (61), 1300 (91,127), 1351.5 (61)	1113 (45/7,54/19), 1192.5 (45/7,54/19)	3	2	3	9/16	5 1/4	5/8
WPC135-4N4-AA	2	1192.5 (61), 1200 (91,127), 1250 (91,127), 1272 (61), 1300 (91,127), 1351.5 (61)	1113 (45/7,54/19), 1192.5 (45/7,54/19)	4	2	4	9/16	6 1/4	1 1/8
WPC151-4N-AA	2	1400 (91,127), 1431 (61), 1500 (91,127), 1510.5 (61)	1272 (45/7,54/19), 1351.5 (45/7,54/19)	3	2 1/4	3	3/4	5 5/8	5/8
WPC151-4N4-AA	2	1400 (91,127), 1431 (61), 1500 (91,127), 1510.5 (61)	1272 (45/7,54/19), 1351.5 (45/7,54/19)	4	2 1/4	4	3/4	6 5/8	1 1/8
WPC159-2N-AA	1	1590 MCM	—	2 1/2	2	3	11/16	5 5/16	5/8
WPC159-4N-AA	2	1590 MCM	—	3	2	3	11/16	5 5/16	5/8
WPC159-4N4-AA	2	1590 MCM	—	4	2	4	11/16	6 5/16	1 1/8
WPC170-2N-AA	1	1590 (61), 1600 (127,169), 1700 (127,169)	1431 (45/7,54/19), 1510.5 (45/7, 54/19)	2 1/2	2 1/4	3	3/4	5 1/2	5/8
WPC170-4N-AA	2	1590 (61), 1600 (127,169), 1700 (127,169)	1431 (45/7,54/19), 1510.5 (45/7, 54/19)	3	2 1/4	3	5/8	5 1/2	5/8
WPC170-4N4-AA	2	1590 (61), 1600 (127,169), 1700 (127,169)	1431 (45/7,54/19), 1510.5 (45/7, 54/19)	4	2 1/4	4	3/4	6 5/8	1 1/8
WPC190-4N-AA	2	1750 (127,169), 1800 (127,169), 1900 (127,169)	1590 (45/7,54/19), 1780 (84/19)	3	2 1/4	3	11/16	5 1/2	5/8
WPC190-4N4-AA	2	1750 (127,169), 1800 (127,169), 1900 (127,169)	1590 (45/7,54/19), 1780 (84/19)	4	2 1/4	4	11/16	6 1/2	1 1/8
WPC190-6N4-AA	3	1750 (127, 169), 1800 (127, 169), 1900 (127, 169)	1590 (45/7, 54/19), 1780 (84/19)	6	2 1/4	4	11/16	6 1/2	1 1/8
WPC205-4N4-AA	2	2049 MCM ACAR	—	4	2 1/4	4	3/4	6 9/16	1 1/8
WPC225-4N-AA	2	2000 (91,127,169), 2250 (91)	1780 (84/19), 2167 (72/7)	3	2 1/4	3	3/4	5 9/16	5/8
WPC225-4N4-AA	2	2000 (91,127,169), 2250 (91)	1780 (84/19), 2167 (72/7)	4	2 1/4	4	3/4	6 9/16	1 1/8
WPC225-6N4-AA	3	2000 (91,127,169), 2250 (91)	1780 (84/19), 2167 (72/7)	6	2 1/4	4	3/4	6 9/16	1 1/8
WPC234-4N4-AA	2	2336 MCM ACAR	—	4	2 1/4	4	3/4	6 9/16	1 1/8
WPC240R-4N4-AA	2	2.4 DI	—	4	2 3/4	4 1/4	1	7 1/4	1 1/8
WPC250-4N-AA	2	2500 (91,127,169)	2156 (84/19)	3	2 1/4	3	3/4	5 1/2	5/8
WPC250-4N4-AA	2	2500 (91,127,169)	2156 (84/19)	4	2 1/4	4	3/4	6 1/2	1 1/8
WPC300-4N-AA	2	2750 (91), 3000 (127,169)	2870 MCM	3	2 1/4	3	3/4	5 1/2	5/8
WPC300-4N4-AA	2	2750 (91), 3000 (127,169)	2870 MCM	4	2 1/4	4	3/4	6 5/8	1 1/8

230 kV – Welded Terminal Conn.