

DOSSERT[®] TYPE PLHSO-AA

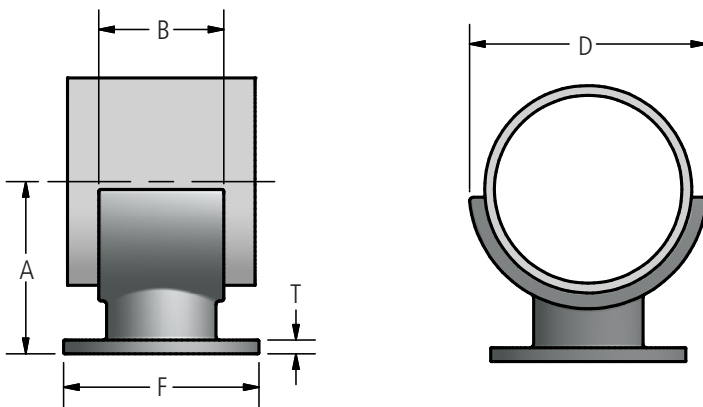
Bus Support for Pipes, Slip or Fixed

Material

Aluminum Alloy

Hardware

Galvanized steel hardware supplied for base mounting.



Ordering Information

CATALOG NUMBER	SPS	BOLT CIRCLE	DIMENSIONS IN INCHES				
			A	B	D	F	T
PLHSO75-3-AA	3/4	3	2	1-1/4	1-9/16	4-1/4	3/8
PLHSO75-5-AA	3/4	5	2-1/4	1-1/4	1-9/16	6-1/4	3/8
PLHSO100-3-AA	1	3	2	1-1/4	1-7/8	4-1/4	3/8
PLHSO100-5-AA	1	5	2-1/4	1-1/4	1-7/8	6-1/4	3/8
PLHSO125-3-AA	1-1/4	3	2-1/4	1-1/2	2-1/4	4-1/4	3/8
PLHSO125-5-AA	1-1/4	5	2-3/8	1-1/2	2-1/4	6-1/4	3/8
PLHSO150-3-AA	1-1/2	3	2-1/2	1-1/2	2-5/8	4-1/4	3/8
PLHSO150-5-AA	1-1/2	5	2-1/2	1-1/2	2-5/8	6-1/4	3/8
PLHSO200-3-AA	2	3	2-3/4	2	3-1/4	4-1/4	3/8
PLHSO200-5-AA	2	5	2-3/4	2	3-1/4	6-1/4	3/8
PLHSO250-3-AA	2-1/2	3	3-1/8	2	3-11/16	4-1/4	3/8
PLHSO250-5-AA	2-1/2	5	3-1/8	2	3-11/16	6-1/4	3/8
PLHSO300-3-AA	3	3	3-5/8	3	4-1/2	4-1/4	7/16
PLHSO300-5-AA	3	5	3-5/8	3	4-1/2	6-1/4	7/16
PLHSO350-3-AA	3-1/2	3	4	3	5	4-1/4	7/16
PLHSO350-5-AA	3-1/2	5	4	3	5	6-1/4	7/16
PLHSO400-3-AA	4	3	4-1/2	3	5-1/2	4-1/4	7/16
PLHSO400-5-AA	4	5	4-1/2	3	5-1/2	6-1/4	7/16
PLHSO450-3-AA	4-1/2	3	4-3/4	3	6	4-1/4	7/16
PLHSO450-5-AA	4-1/2	5	4-3/4	3	6	6-1/4	7/16
PLHSO500-3-AA	5	3	5	3	6-9/16	4-1/4	7/16
PLHSO500-5-AA	5	5	5	3	6-9/16	6-1/4	7/16
PLHSO600-3-AA	6	3	5-1/2	4	7-5/8	4-1/4	7/16
PLHSO600-5-AA	6	5	5-1/2	4	7-5/8	6-1/4	7/16