

DOSSERT®

TYPE PSD, PSD-U

Bus Support, Pipe, Slide or Tight Fit

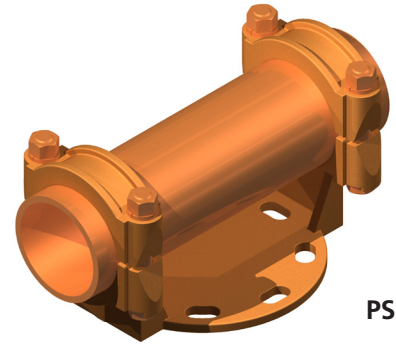
A heavy duty bus support clamp designed with a low bus center point height to reduce cantilever action and withstand high stresses. For PSD series, reversible clamps permit tight or slip fit assembly. For PSD-U series, U-bolt provides tight fit. Entire unit is non-magnetic and corrosion resistant.

Material

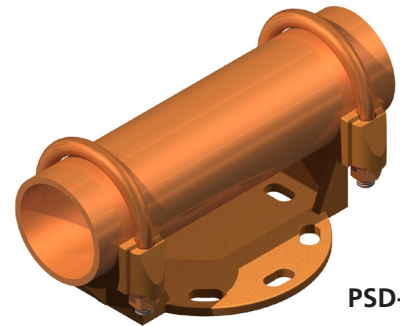
Copper Alloy

Hardware

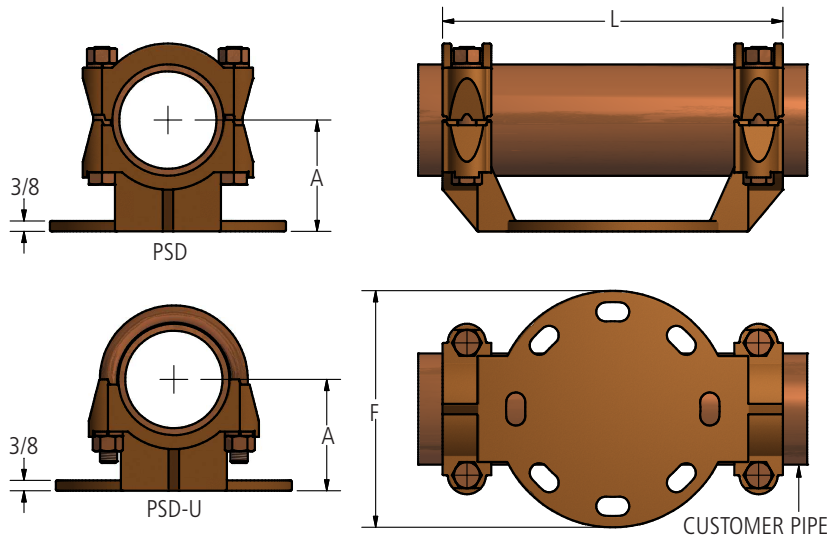
Everdur bolts, nuts and lockwashers
Mounting hardware galvanized steel



PSD



PSD-U



Ordering Information

CATALOG NUMBER	CATALOG NUMBER U-BOLT	SPS	BOLT CIRCLE	DIMENSIONS IN INCHES			BOLT SIZE
				A	F	L	
PSD75-3	PSD75-3-U	3/4	3	2	4 1/4	6 3/4	1/2
PSD75-5	PSD75-5-U	3/4	5	2 1/4	6 1/4	9	1/2
PSD100-3	PSD100-3-U	1	3	2	4 1/4	7	1/2
PSD100-5	PSD100-5-U	1	5	2 1/4	6 1/4	9	1/2
PSD125-3	PSD125-3-U	1 1/4	3	2 1/4	4 1/4	7 1/4	1/2
PSD125-5	PSD125-5-U	1 1/4	5	2 3/8	6 1/4	9 1/2	1/2
PSD150-3	PSD150-3-U	1 1/2	3	2 1/2	4 1/4	7 1/4	1/2
PSD150-5	PSD150-5-U	1 1/2	5	2 1/2	6 1/4	9 1/2	1/2
PSD200-3	PSD200-3-U	2	3	2 3/4	4 1/4	7 1/4	1/2
PSD200-5	PSD200-5-U	2	5	2 3/4	6 1/4	9 1/2	1/2
PSD250-3	PSD250-3-U	2 1/2	3	3 1/8	4 1/4	7 3/4	1/2
PSD250-5	PSD250-5-U	2 1/2	5	3 1/8	6 1/4	10	1/2
PSD300-3	PSD300-3-U	3	3	3 5/8	7 3/4	4 1/4	5/8
PSD300-5	PSD300-5-U	3	5	3 5/8	10	6 1/4	5/8
PSD300-7	PSD300-7-U	3	7	3 5/8	12 1/4	8 1/2	5/8
PSD350-3	PSD350-3-U	3 1/2	3	4	7 3/4	4 1/4	5/8
PSD350-5	PSD350-5-U	3 1/2	5	4	10	6 1/4	5/8
PSD400-3	PSD400-3-U	4	3	4 1/2	7 3/4	4 1/4	5/8
PSD400-5	PSD400-5-U	4	5	4 1/2	10	6 1/4	5/8
PSD400-7	PSD400-7-U	4	7	4 1/2	12 1/4	8 1/2	5/8
PSD500-3	PSD500-3-U	5	3	5	8	4 1/4	5/8
PSD500-5	PSD500-5-U	5	5	5	10	6 1/4	5/8
PSD500-7	PSD500-7-U	5	7	5	12 3/4	8 1/2	5/8
PSD600-3	PSD600-3-U	6	3	5 1/2	8 1/4	4 1/4	5/8
PSD600-5	PSD600-5-U	6	5	5 1/2	10 1/2	6 1/4	5/8
PSD600-7	PSD600-7-U	6	7	5 1/2	12 3/4	8 1/2	5/8
PSD800-7	PSD800-7-U	8	7	6 7/8	12 3/4	8 1/2	5/8