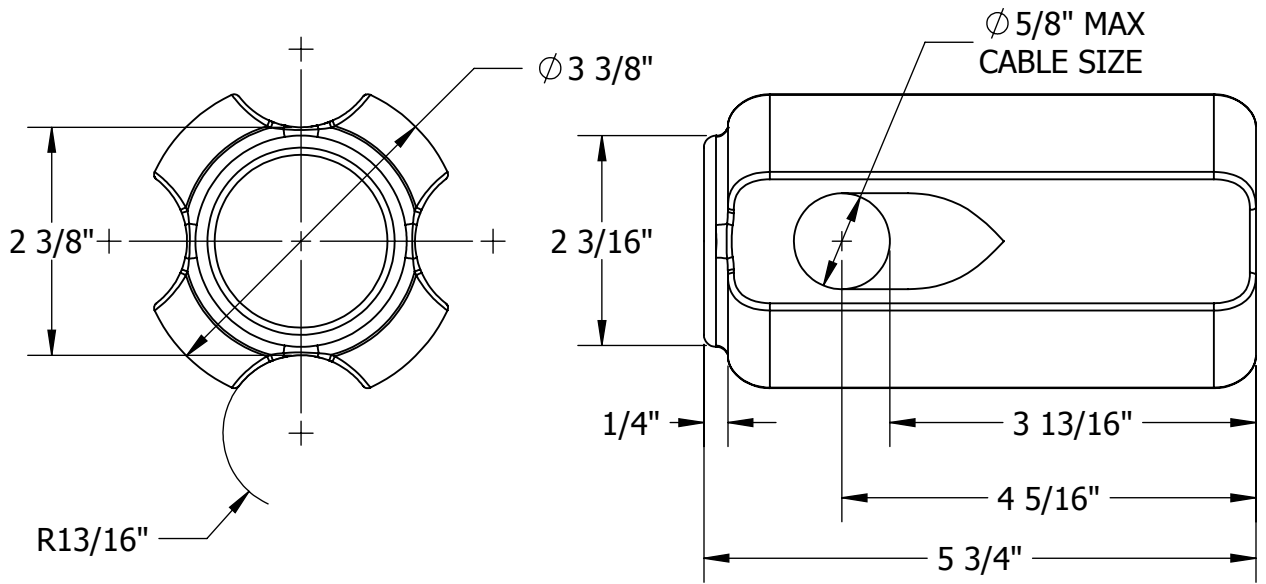


THIS DRAWING AND ALL INFORMATION ON IT IS THE PROPERTY OF AFL. IT IS CONFIDENTIAL AND IT IS GIVEN TO YOU FOR A LIMITED PURPOSE AND MUST BE RETURNED UPON REQUEST. NEITHER THIS DRAWING OR ANY PART OF IT NOR ANY INFORMATION CONCERNING IT MAY BE COPIED, EXHIBITED, OR FURNISHED TO OTHERS NOR PHOTOGRAPHS TAKEN OF ANY ARTICLE FABRICATED OR ASSEMBLED FROM THE DRAWING WITHOUT THE CONSENT OF AFL.

ITEM NO:

DWG. NO:



**NOTE:**  
UNLESS OTHERWISE SPECIFIED  
DIMENSIONS ARE FOR REFERENCE ONLY

**MATERIAL:**  
ELECTRICAL GRADE WET WARE PORCELAIN  
COLOR - SKY TONE GRAY


**ELECTRICAL RATINGS:**  
ANSI CLASS - 54-3  
60 HZ DRY FLASHOVER - 35 kV  
60 HZ WET FLASHOVER - 18 kV  
LEAKAGE DISTANCE - 2.25 IN  
ULTIMATE STRENGTH - 20,000 LBS

WT: 1.0 LB

LOCATION	CONTRACT NO	CUST / CONTR
----------	-------------	--------------

REVISIONS				
REV	DESCRIPTION	DATE	BY	APR

DRN BY: HV  
DRN DATE: 1.24.11  
CHK BY: JL  
CHK DATE: 1.26.11  
PA 2017.270



**INSULATOR, GUY STRAIN, SML=20000LBS, PORC GRAY 54-3**

REV	PART NO:	JB4606	1 OF 1
0			