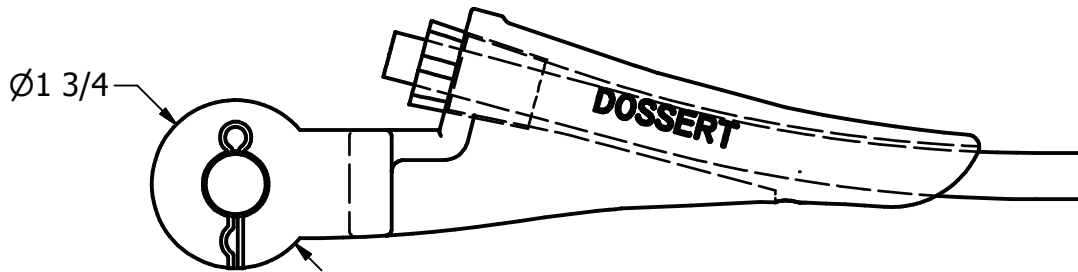
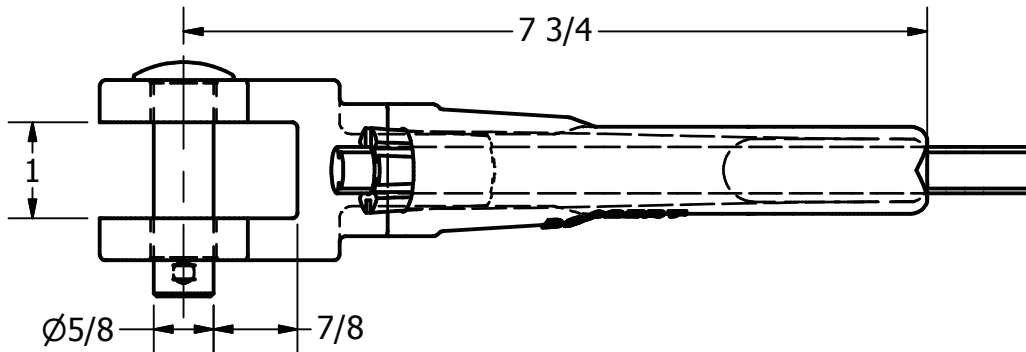
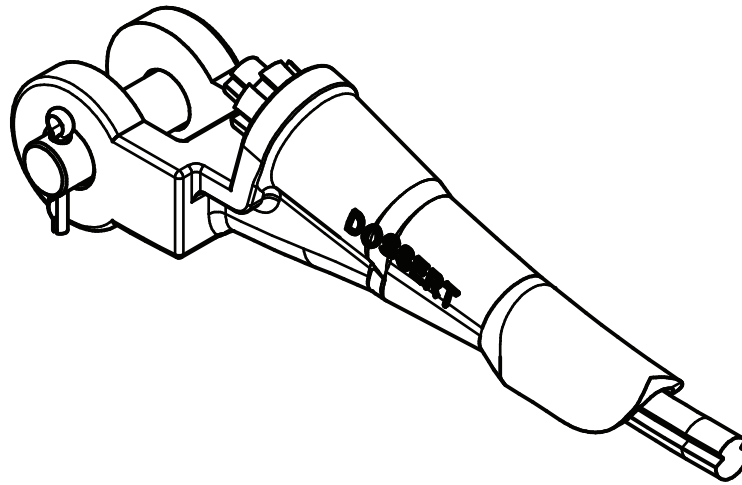


ITEM NO

DWG NO
B-7145

THIS DRAWING AND ALL INFORMATION ON IT IS THE PROPERTY OF AFL. IT IS CONFIDENTIAL AND IT IS GIVEN TO YOU FOR A LIMITED PURPOSE AND MUST BE RETURNED UPON REQUEST. NEITHER THIS DRAWING OR ANY PART OF IT NOR ANY INFORMATION CONCERNING IT MAY BE COPIED, EXHIBITED, OR FURNISHED TO OTHERS NOR PHOTOGRAPHS TAKEN OF ANY ARTICLE FABRICATED OR ASSEMBLED FROM THE DRAWING WITHOUT THE CONSENT OF AFL.





CATALOG #	WIRE SIZE	DIA.	BREAKING STRENGTH
FTDEW-13T	2/0 CW	.392"	7,906
FTDEW-21T	4/0 CW	.482"	11,490
FTDEW-30T	300 CW	.574"	15,260
FTDEW-35T	350 CW	.620"	17,240

MATERIAL

ALUMINUM BRONZE ASTM B30
CLEVIS PIN - GALVANIZED STEEL
COTTER KEY - STAINLESS STEEL
COMP. SLEEVE - STAINLESS STEEL

2.66 LBS

LOCATION					CONTRACT NO		CUST / CONTR	
REVISIONS					 			
REV	DESCRIPTION	DATE	BY	APR	DEAD END FOR TROLLEY WIRE			
2	RE-DRAWN IN INVENTOR	10-20-09	BH	EP	FTDEW-T SERIES			
DRN BY: CV DRN DATE: 1-29-92 CHK BY: JS CHK DATE: 1-29-92					REV	2		1 OF 1