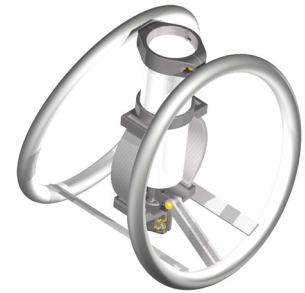


DOSSERT® TYPE 38900-EHV

Expansion stud connector is designed to be corona free for 345 kV and 500 kV service. Laminated straps provide for 1.75" (44.5mm) expansion or contraction. Stainless steel static eliminator springs are supplied for slip fit end of corona ring assembly. Dimension "D" shown in illustration is for installation temperature of 68°F (20°C); for other installation temperatures, see Index/General Info section, pages ____.

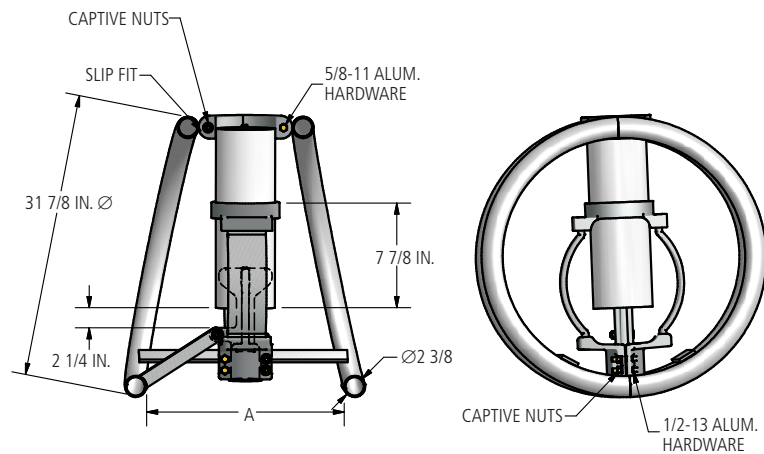


Material

Aluminum Alloy

Hardware

Yellow anodized aluminum nuts, bolts, and lockwashers.



Ordering Information

CONDUCTOR SIZE	STUD SIZE		CATALOG NUMBERS		DIMENSIONS IN INCHES		NOMINAL WEIGHT
	DIAMETER IN INCHES	THREADS PER INCH	17" DIA. DOME	22" DIA. DOME	A		
					17" DIA. DOME	22" DIA. DOME	
3 SPS	1 1/8	12	38908.11 EHV	38928.11 EHV	18.62	22.12	36.2
3 1/2 SPS	1 1/8	12	38909.11 EHV	38929.11 EHV	18.62	22.12	37.2
4 SPS	1 1/8	12	38910.11 EHV	38930.11 EHV	18.62	22.12	41.9
3 SPS	1 1/2	12	38908.14 EHV	38928.14 EHV	18.62	22.12	38.2
3 1/2 SPS	1 1/2	12	38909.14 EHV	38929.14 EHV	18.62	22.12	39.2
4 SPS	1 1/2	12	38910.14 EHV	38930.14 EHV	18.62	22.12	43.9
5 SPS	1 1/2	12	38912.14 EHV	38932.14 EHV	18.62	22.12	48.1
4 SPS	2	12	38910.20 EHV	38930.20 EHV	18.62	22.12	46.1
4 EHPS	2	12	38920.20 EHV	38940.20 EHV	18.62	22.12	46.0
5 SPS	2	12	38912.20 EHV	38932.20 EHV	18.62	22.12	50.3
5 EHPS	2	12	38922.20 EHV	38942.20 EHV	18.62	22.12	50.2
6 SPS	2	12	38913.20 EHV	38933.20 EHV	18.62	22.12	55.4
6 EHPS	2	12	38923.20 EHV	38943.20 EHV	18.62	22.12	55.3
4 SPS	2 1/2	12	38910.24 EHV	38930.24 EHV	18.62	22.12	47.2
4 EHPS	2 1/2	12	38920.24 EHV	38940.24 EHV	18.62	22.12	47.1
5 SPS	2 1/2	12	38912.24 EHV	38932.24 EHV	18.62	22.12	51.4
5 EHPS	2 1/2	12	38922.24 EHV	38942.24 EHV	18.62	22.12	51.3
6 SPS	2 1/2	12	38913.24 EHV	38933.24 EHV	18.62	22.12	56.5
6 EHPS	2 1/2	12	38923.24 EHV	38943.24 EHV	18.62	22.12	56.4