



FIBER OPTIC CABLE ACCESSORIES

OPGW Hardware | ADSS Hardware | SkyWrap® Hardware

Closures | Tools

Founded in 1984, AFL is an international manufacturer providing end-to-end solutions to the energy, service provider, enterprise, hyperscale and industrial markets as well as several emerging markets.

AFL's products are in use in over 130 countries and include fiber optic cable and hardware, transmission and substation accessories, outside plant equipment, connectivity, test and inspection equipment, fusion splicers and training.

AFL also offers a wide variety of services supporting data center, enterprise, wireless and outside plant applications.

AFL is dedicated to bringing our customers a quality product as well as delivering superior value.



COMPANY WITH
QUALITY SYSTEM
CERTIFIED BY DNV GL
= ISO 9001 =

Table of Contents

Optical Ground Wire Hardware

Bolted Dead End for OPGW	3
Wedge Dead End for Optical Ground Wire (OPGW)	6
Formed Wire Dead End for OPGW Cable	8
Comealong for Optical Ground Wire—OCA Series	9
Double Layer Formed Wire Suspension for OPGW – Single	11
Double Layer Formed Wire Suspension for OPGW – Double	13
HIBUS®Series OPGW Suspension	15
HIBUS®Series OPGW Trunnion	18
Mechanical Suspensions—Single and Double	20
Trunnion for OPGW	23
Bonding Clamps for OPGW	24
Aluminum Bonding Wire.	25
Tinned Copper Flexible Braided Bonding Strap.	26
Hotline Stirrup Connectors for OPGW	27
Guide Clamps for OPGW	28
Download Clamps for OPGW and ADSS	30
Standard Clevis Eye	34
Clevis Eye	34
Y Clevis Eye.	35
Y Clevis Eye 90°.	35
Y Clevis Eye 90° (for Mechanical Suspensions).	36
Y Clevis Eye 90° (for Use with Formed Wire Suspension)	36
Socket Eye SC	37
Socket Eye BDE	37
Ball Y Clevis.	38
Hot Line Y Clevis Ball	38
Anchor Shackle 30L	39
Anchor Shackle 30L-BNC	39
Oval Eye Nut	40
Shoulder Eye Bolt.	40
Pole Eye Plate	41
Shield Wire Support	41
Chain Link	42
Yoke Plate	42
Y Clevis Clevis	43
Y Clevis Clevis 90°.	43
Stainless Steel Tube Straightening Tool.	44
Vibration Damper.	45
OPGW Anti-Rotational Device.	46
26 kV Isolator Kit for OPGW	47

ADSS Mini-Span Hardware

Mini-Dead Ends.	49
Mini-Bracket	50
Mini Formed Wire Tangent Support (FTS)	50

ADSS Hardware

Wedge Dead End	51
Temporary Grip	52
Limited Tension Formed Wire Dead End for ADSS Cable	53
Medium Tension Dead End for ADSS Cable	54
Semi-High Tension Dead End for ADSS Cable	55
AFL FIT (Formed Wire Installation Tool)	56
Trunnion Assemblies—Single and Double Cables.	57
ADSS Suspension Unit	59
Standoff Bracket for ADSS Hardware Clamps	60
Formed Wire Suspension for ADSS Cable	61
Download Clamp for ADSS	62
AGC Series ADSS Download Clamp.	64
FDCT Series Flat Drop Tangent/Download NEW	65
RDCT Series Round Drop Tangent/Download NEW	66
Multi-Drop Thimble Eye for Round Drop ADSS NEW	67
SVD Series Spiral Vibration Dampers	68
AVD Series Spiral Vibration Dampers	70
Fiber Storage Units for ADSS Fiber Optic Cable.	72
Corona Ring for ADSS Cable.	73

SkyWrap® Hardware

SkyWrap®	74
High Voltage SkyWrap®	76
SkyWrap® Ground Wire Hardware.	78
SkyWrap® Phase Wire Hardware	79

Splice Closures and Accessories

Opti-Guard Splice Enclosures	81
Connector Kits for Opti-Guard	
OPGW Cable	83
Black Jacket Cable	84
Opti-Guard Accessories.	85
SB01 Splice Enclosures.	86
Connector Kits for SB01 Splice Enclosures	
OPGW Cable	88
Black Jacket Cable	89
SB01 Splice Enclosure Accessories.	90
CB-30-3AL External Coil Bracket.	91
CB-44-3AL External Coil Bracket.	92

continued
→

Splice Closures and Accessories (cont.)

Sealed Fiber Optic Splice Closures	93
Apex® X-3 Sealed Splice Closure NEW	94
Apex® X-3H Sealed Splice Closure NEW	99
Apex® X-2 Sealed Splice Closure	104
Apex® X-2S Sealed Splice Closure	110
LightGuard® (LG) Sealed Splice Closures	
Peel & Seal Grommet Systems for Sealed Fiber Optic Closures	116
LG-55 Sealed Fiber Optic Splice Closure	117
LG-55-SC Sealed Fiber Optic Splice Closure	118
LG-150 Sealed Fiber Optic Splice Closure	119
LG-250 Sealed Fiber Optic Splice Closure	121
LG-350 Sealed Fiber Optic Splice Closure	123
LG-350-AC Drop Access Sealed Fiber Optic Splice Closure	125
LG-350XL Sealed Fiber Optic Splice Closure	127
LightGuard® (LG) Aerial Weathertight Fiber Optic Splice Closures	129
LG-410 Aerial Weathertight Fiber Optic Splice Closure	130
LG-420 Aerial Weathertight Fiber Optic Splice Closure	132
LG-420 FTTx Aerial Weathertight Closure	134
LG-500 Aerial Weathertight Fiber Optic Splice Closure	136
LG-500 FTTx Aerial Weathertight Closure	138
LG-600 Aerial Weathertight Fiber Optic Splice Closure	140
LG-600 FTTx Aerial Weathertight Closure	142
LightLink Fiber Optic Splice Trays	144
Fiber Storage Units	152

Tools

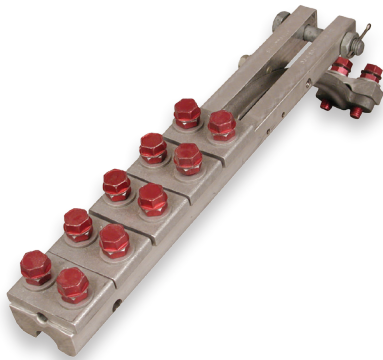
Sheath Stripper	153
Stainless Steel Tube Cutter	153

Configuration Assemblies

OPGW Single Dead End Lattice Tower	154
OPGW Single Dead End Wood Pole/H-Frame	156
OPGW Single Dead End Steel Pole/Drilled Configuration Assemblies	158
OPGW Single Dead End Steel Pole/Vang Configuration Assemblies	159
OPGW Double Dead End Lattice Tower	161
OPGW Double Dead End Wood Pole/H-Frame	163
OPGW Double Dead End Steel Pole/Drilled	166
OPGW Double Dead End Steel Pole/Vang	167
OPGW Single Suspension Lattice Tower	169
OPGW Single Suspension Steel Pole/Drilled	172
OPGW Single Suspension Steel Pole/Vang	173
OPGW Double Suspension Lattice Tower	175
OPGW Double Suspension Wood Pole/H-Frame	177

Installation Instructions

OPGW Bolted Dead End	180
OPGW Wedge Dead End	182
OPGW Suspension Unit	184
OPGW Double Suspension Unit	185
OPGW Trunnion	187
OPGW Vibration Damper	188
OPGW Ground Clamp	189
OPGW Comealongs	190
Request for Vibration Information	192



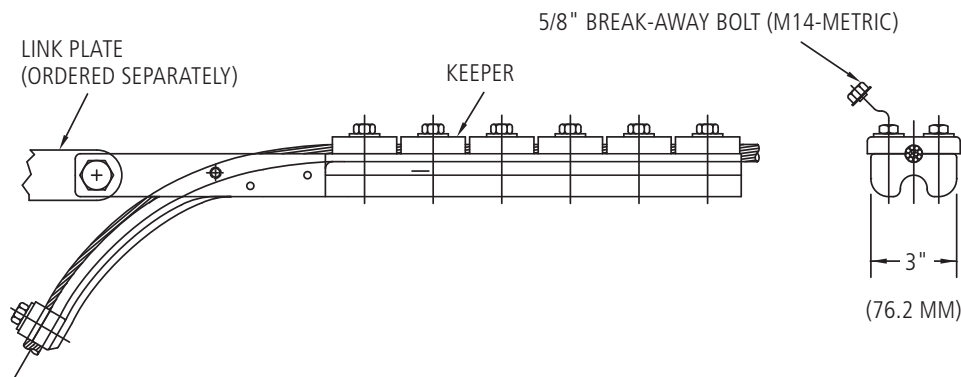
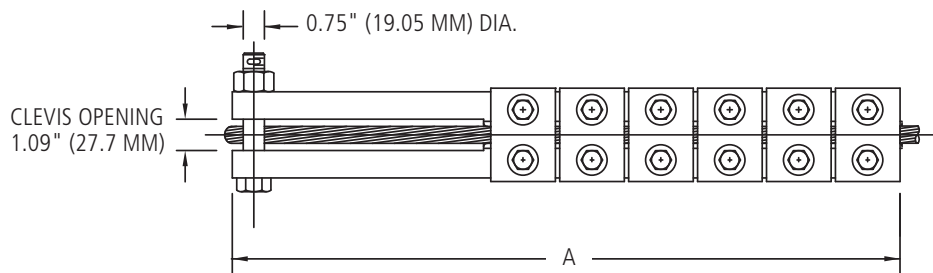
Bolted Dead End with Cable Guide

Bolted Dead End for OPGW

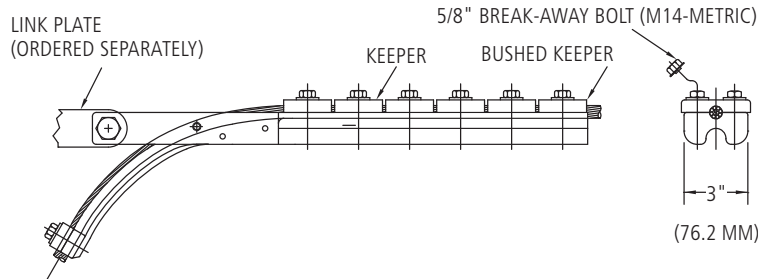
The AFL Dead End is a full tension termination for Optical Ground Wire cable. Break-away head bolts are used to apply a precise gripping force to hold the cable without affecting optical fiber performance.

Features

- Performance: Sustained load equivalent to 95% of cable RBS
- Ultimate mechanical strength of dead end components: 40,000 lbs.
- Break-away bolts ensure proper installation torque while eliminating the need for specialized torque wrenches
- Optional Cable Guide (recommended) to train Optical Ground Wire down or around structure
- Drilled and tapped for grounding lug, eliminating additional accessories for electrical bonding
- Shorter than formed wire dead ends, allowing installation from the support structure
- Faster installation than competitive designs, reducing installation costs
- Optional link plate available for extension from structures (see next page)



Bolted Dead End for OPGW (Stranded Stainless Steel Tube Type Cable)



ODE

OPGW Dead End

S

S for Standed Stainless
(See Valid Cable Types)

YYY/YYY

Range code in
Decimal Inches
(See Table 1)

X

"G" for Cable Guide,
"N" for No Cable Guide

##

Number of Keepers
(See Table 1,
Keeper Designation and
Calculating Cross Sectional
Area of Alumoweld)

- NOTES:** 1. For installation instructions, click [here](#).
2. Bushed end keeper not considered in number of keepers.
3. Cables above 26,000 lbs RBS have to be tested.
4. This deadend is approved only for AFL cables.

OPGW RBS	PERCENT ALUMOWELD > 33%			PERCENT ALUMOWELD LESS THAN 33%		
	NO. OF * KEEPERS	KEEPER DESIGNATION	DIMENSION "A"	NO. OF * KEEPERS	KEEPER DESIGNATION	DIMENSION "A"
14000 OR LESS	7	07	28.38	8	08	30.78
14001-17000	8	08	30.78	9	09	33.18
17001-21000	9	09	33.18	10	10	35.58
21000-26000	10	10	35.58	11	11	37.98
26001-ABOVE**	11	11	37.98	11	11	37.98

* NUMBER OF KEEPERS DOES NOT INCLUDE THE END BUSHED KEEPER.
* NUMBER OF KEEPERS NOT TO EXCEED 11.
** SEE NOTE 3.

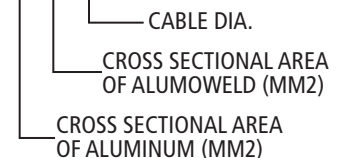
CALCULATING CROSS SECTIONAL AREA OF ALUMOWELD (PERCENT)

$$AW \text{ AREA PERCENT} = ((AW \text{ AREA}) / (AW \text{ AREA} + ALUMINUM \text{ AREA})) * 100$$

IF THE AW AREA PERCENT IS LESS THAN 33%, ADD ONE KEEPER.

AFL CABLE DESCRIPTION

S3—109/45/673

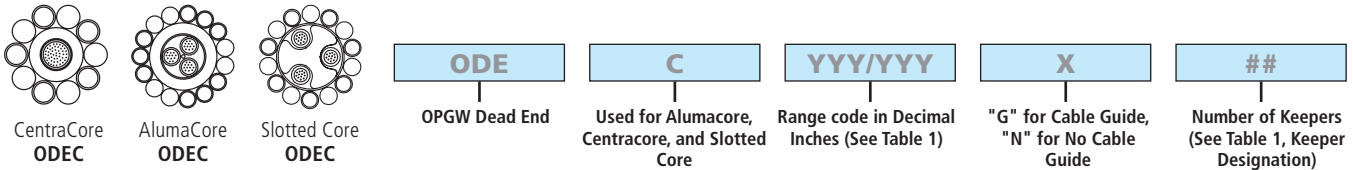
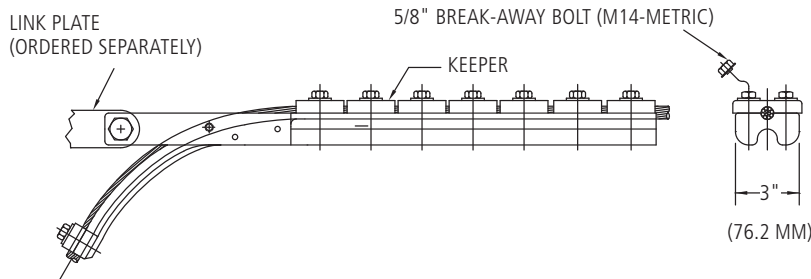


AFL NO.	CABLE DIAMETER RANGE	
	MIN	MAX
ODES350/359GXX	0.350	0.359
ODES360/369GXX	0.360	0.369
ODES370/379GXX	0.370	0.379
ODES380/389GXX	0.380	0.389
ODES390/399GXX	0.390	0.399
ODES400/409GXX	0.400	0.409
ODES410/419GXX	0.410	0.419
ODES420/429GXX	0.420	0.429
ODES430/439GXX	0.430	0.439
ODES440/449GXX	0.440	0.449
ODES450/459GXX	0.450	0.459
ODES460/469GXX	0.460	0.469
ODES470/479GXX	0.470	0.479
ODES480/489GXX	0.480	0.489

AFL NO.	CABLE DIAMETER RANGE	
	MIN	MAX
ODES490/499GXX	0.490	0.499
ODES500/509GXX	0.500	0.509
ODES510/519GXX	0.510	0.519
ODES520/529GXX	0.520	0.529
ODES530/539GXX	0.530	0.539
ODES540/549GXX	0.540	0.549
ODES550/559GXX	0.550	0.559
ODES560/569GXX	0.560	0.569
ODES570/579GXX	0.570	0.579
ODES580/589GXX	0.580	0.589
ODES590/599GXX	0.590	0.599
ODES600/609GXX	0.600	0.609
ODES610/619GXX	0.610	0.619
ODES620/629GXX	0.620	0.629

AFL NO.	CABLE DIAMETER RANGE	
	MIN	MAX
ODES630/639GXX	0.630	0.639
ODES640/649GXX	0.640	0.649
ODES650/659GXX	0.650	0.659
ODES660/669GXX	0.660	0.669
ODES670/679GXX	0.670	0.679
ODES680/689GXX	0.680	0.689
ODES690/699GXX	0.690	0.699
ODES700/709GXX	0.700	0.709
ODES710/719GXX	0.710	0.719
ODES720/729GXX	0.720	0.729
ODES730/739GXX	0.730	0.739
ODES740/749GXX	0.740	0.749

Bolted Dead End for OPGW (Core Tube Type Cable)



- NOTES:**
1. For installation instructions, click [here](#).
 2. This deadend is approved only for AFL cables.
 3. Cables above 30,000 lbs RBS have to be tested.

OPGW RBS	NO. OF * KEEPERS	KEEPER DESIGNATION	DIMENSION "A"
14000 OR LESS	7	07	25.98
14001 - 17000	8	08	28.38
17001 - 21000	9	09	30.78
21000 - 26000	10	10	33.18
26001 - 30000	11	11	35.58
IF > 30001*	12	12	37.98

* SEE NOTE 3

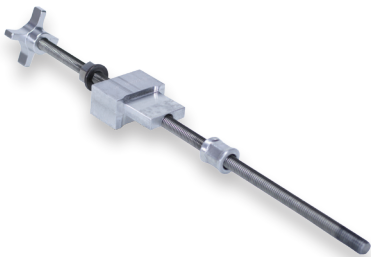
AFL NO.	CABLE DIAMETER RANGE	
	MIN	MAX
ODEC350/359GXX	0.350	0.359
ODEC360/369GXX	0.360	0.369
ODEC370/379GXX	0.370	0.379
ODEC380/389GXX	0.380	0.389
ODEC390/399GXX	0.390	0.399
ODEC400/409GXX	0.400	0.409
ODEC410/419GXX	0.410	0.419
ODEC420/429GXX	0.420	0.429
ODEC430/439GXX	0.430	0.439
ODEC440/449GXX	0.440	0.449
ODEC450/459GXX	0.450	0.459
ODEC460/469GXX	0.460	0.469
ODEC470/479GXX	0.470	0.479
ODEC480/489GXX	0.480	0.489

AFL NO.	CABLE DIAMETER RANGE	
	MIN	MAX
ODEC490/499GXX	0.490	0.499
ODEC500/509GXX	0.500	0.509
ODEC510/519GXX	0.510	0.519
ODEC520/529GXX	0.520	0.529
ODEC530/539GXX	0.530	0.539
ODEC540/549GXX	0.540	0.549
ODEC550/559GXX	0.550	0.559
ODEC560/569GXX	0.560	0.569
ODEC570/579GXX	0.570	0.579
ODEC580/589GXX	0.580	0.589
ODEC590/599GXX	0.590	0.599
ODEC600/609GXX	0.600	0.609
ODEC610/619GXX	0.610	0.619
ODEC620/629GXX	0.620	0.629

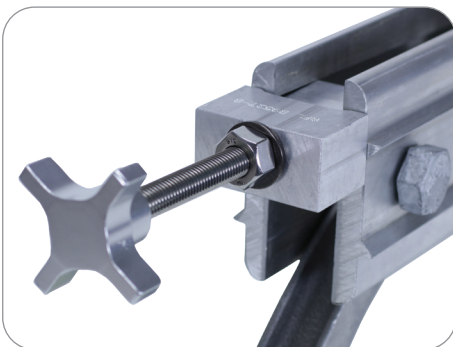
AFL NO.	CABLE DIAMETER RANGE	
	MIN	MAX
ODEC630/639GXX	0.630	0.639
ODEC640/649GXX	0.640	0.649
ODEC650/659GXX	0.650	0.659
ODEC660/669GXX	0.660	0.669
ODEC670/679GXX	0.670	0.679
ODEC680/689GXX	0.680	0.689
ODEC690/699GXX	0.690	0.699
ODEC700/709GXX	0.700	0.709
ODEC710/719GXX	0.710	0.719
ODEC720/729GXX	0.720	0.729
ODEC730/739GXX	0.730	0.739
ODEC740/749GXX	0.740	0.749



OPGW Wedge Dead End



Removal Tool for OPGW Wedge Dead End



Removal Tool inserted into OPGW Wedge Dead End

Wedge Dead End for Optical Ground Wire (OPGW)

AFL's Optical Ground Wire (OPGW) wedge dead end improves the ease and speed of installing OPGW as compared to bolted and formed wire devices. The wedge dead end is sold mostly assembled and only requires connecting three components (the body, top wedge and locking pin) during preparation. The unique cam action in the pivoting cable guide ensures proper alignment of the wedges prior to loading and the wedges automatically provide the necessary gripping action to meet the holding strength requirements. A removal tool (sold separately) is available to unlock the wedges for situations requiring additional adjustment of the dead end.

Advantages

- Three loose components as compared to 15+ with bolted dead ends
- No bolts to torque – self locking wedge design secures the cable
- Eliminates human error associated with proper torque on bolted dead ends
- Shorter and easier to install than formed wire dead ends
- Optional removal tool allows wedges to be easily unlocked when required
- Quicker installation times as compared to bolted and formed wire models
- No special tools required for installation

Features

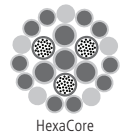
- Range: 0.375 - 0.750 in. (9.5 - 19.0 mm)
- Designed for 95% of the cables rated breaking strength up to 25,000 lbs. (11,340 kg)
- Cable Guide (not optional) to train OPGW down or around structure
- Optional link plate available for extension from structures
- Approved for use with AlumaCore, CentraCore and HexaCore OPGW designs



CentraCore



AlumaCore



HexaCore

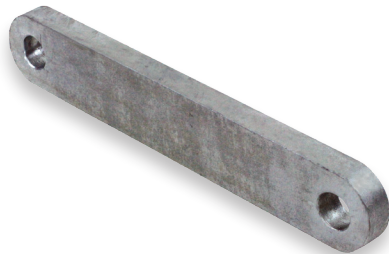
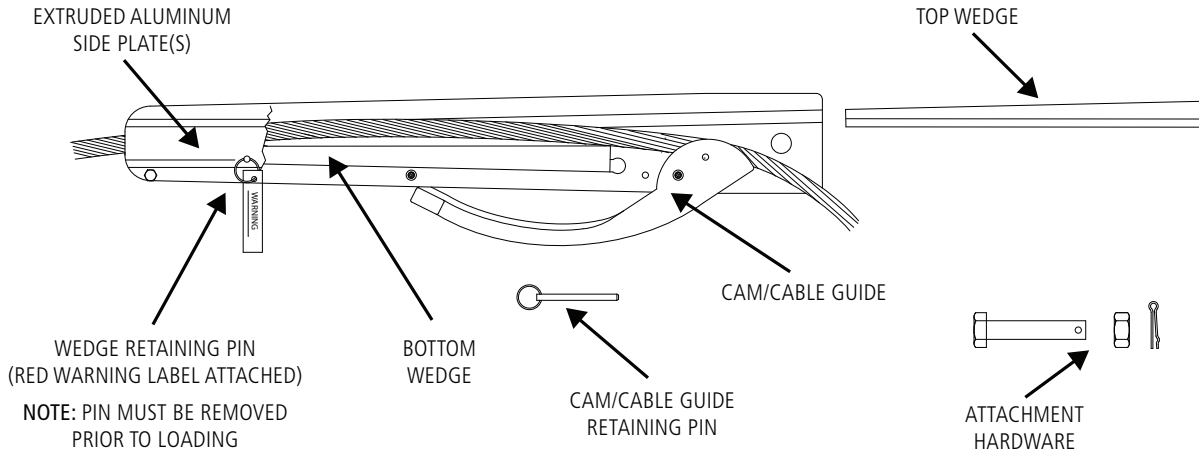
Ordering Information

AFL NO.	OPGW DIAMETER RANGE		WEIGHT			
	INCHES	MM	LBS	KG		
ODEW377/397	0.377	0.397	9.56	10.08	16.0	7.3
ODEW398/418	0.398	0.418	10.09	10.62	16.0	7.3
ODEW419/439	0.419	0.439	10.63	11.15	16.0	7.3
ODEW440/460	0.440	0.460	11.16	11.68	16.0	7.3
ODEW461/481	0.461	0.481	11.69	12.22	16.0	7.3
ODEW482/502	0.482	0.502	12.23	12.75	16.0	7.3
ODEW503/523	0.503	0.523	12.76	13.28	16.0	7.3
ODEW524/544	0.524	0.544	13.29	13.82	16.0	7.3
ODEW545/565	0.545	0.565	13.83	14.35	16.0	7.3
ODEW566/586	0.566	0.586	14.36	14.88	16.0	7.3
ODEW587/607	0.587	0.607	14.89	15.42	16.0	7.3
ODEW608/628	0.608	0.628	14.43	15.95	16.0	7.3
ODEW629/649	0.629	0.649	15.96	16.48	16.0	7.3
ODEW650/670	0.650	0.670	16.49	17.02	16.0	7.3
ODEW671/691	0.671	0.691	17.03	17.55	16.0	7.3
ODEW692/712	0.692	0.712	17.56	18.08	16.0	7.3
ODEW713/733	0.713	0.733	18.09	18.62	16.0	7.3
ODEW734/754	0.734	0.754	18.63	19.15	16.0	7.3

DESCRIPTION	AFL NO.
Removal Tool for OPGW Wedge Dead End (sold separately, effective up to 10,000 lbs)	B9527-B

Wedge Dead End for Optical Ground Wire (OPGW)

Components of OPGW Wedge Dead End



Link Plate

Dead End Link Plate

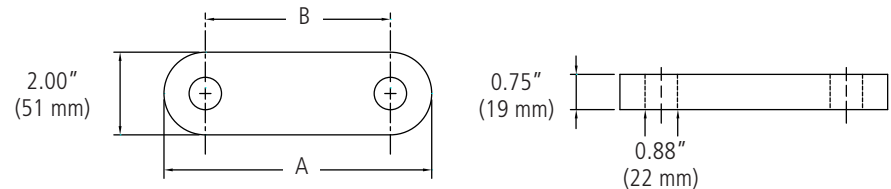
The Dead End Link Plate is made from galvanized steel and has an ultimate strength of 40,000 lbs. (18,140 kg).

Ordering Information

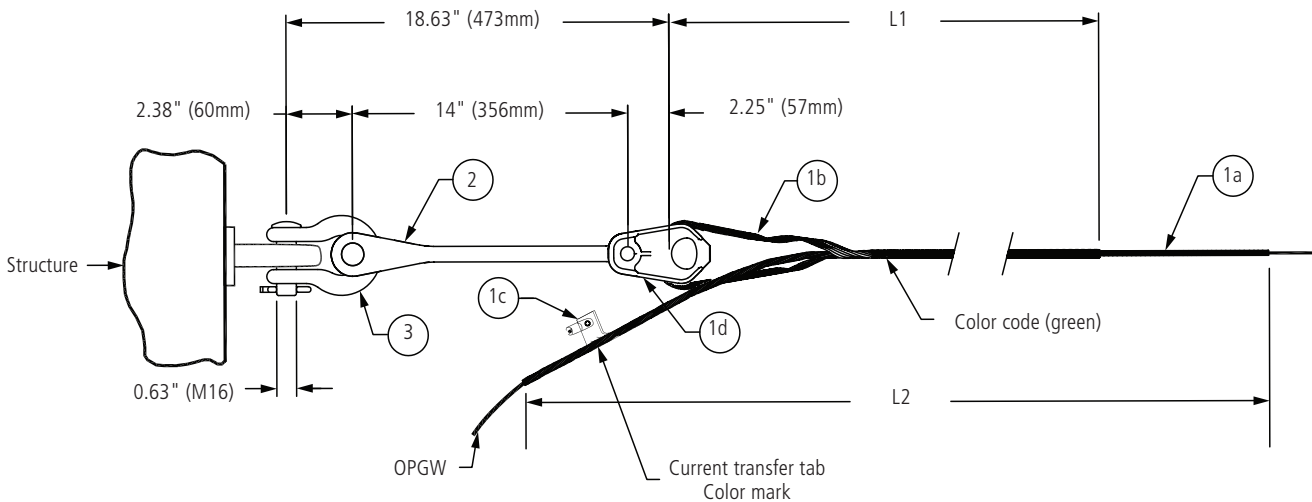
AFL NO.	DISTANCE A	DISTANCE B	WEIGHT
ODELP05	7 inches (177 mm)	5 inches (127 mm)	2.42 lbs. (1.1 kg)
ODELP10	12 inches (304 mm)	10 inches (254 mm)	4.40 lbs. (2.0 kg)
ODELP15	17 inches (432 mm)	15 inches (381 mm)	6.16 lbs. (2.8 kg)

Material: Galvanized Steel; Ultimate Strength: 40,000 lbs. (18,140 kg)

Dimensions



Formed Wire Dead End for OPGW Cable



Features

- Line or elevation angles greater than 30°
- Specify right or left lay direction
- Designed for 95% of the cable's rated breaking strength up to rated component strength (see table)
- Dead end component may be reused once during initial installation

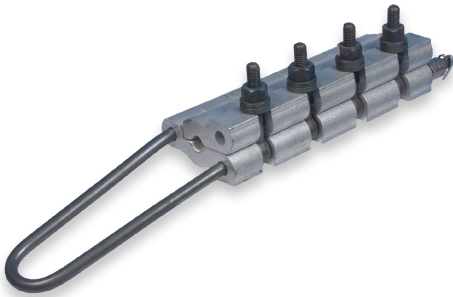
Item	Description	Material
1a	Reinforcing Rods (SRR)	Aluminum clad Steel
1b	Formed Wire Dead-End	Aluminum clad Steel
1c	Current Transfer Tab	High Strength Aluminum
1d	Thimble Clevis	Galvanized Ductile Iron
2	Extension Link	Galvanized Steel
3	Anchor Shackle	Galvanized Steel

Ordering Information

AFL NO.¹	DIAMETER RANGE				COLOR CODE	RATED COMPONENT STRENGTH	DEAD END COMPONENT LENGTH "L1" IN. (M)	STRUCTURAL REINFORCING ROD LENGTH "L2" IN. (M)
	MIN. (IN)	MAX. (IN)	MIN. (MM)	MAX. (MM)				
OWD355/399C	0.355	0.399	9	10.1	Blue	20,000	34 (0.86)	37 (0.94)
OWD400/449C	0.4	0.449	10.2	11.4	Blue	20,000	36 (0.91)	40.5 (1.03)
OWD450/504C	0.45	0.504	11.5	12.8	Red	25,000	39 (0.99)	45 (1.14)
OWD505/555C	0.505	0.555	12.9	14.1	Orange	25,000	42 (1.07)	47.5 (1.21)
OWD556/610C	0.556	0.61	14.2	15.5	Black	25,000	45 (1.14)	51.5 (1.31)
OWD611/680C	0.611	0.68	15.6	17.2	Green	25,000	49 (1.24)	56 (1.42)
OWD681/755C	0.681	0.755	17.3	19.1	Pink	25,000	64 (1.63)	71.5 (1.82)
OWD756/830C	0.756	0.83	19.2	21.1	Yellow	25,000	68 (1.73)	76 (1.93)
OWD831/925C	0.831	0.925	21.2	23.5	Brown	25,000	73 (1.85)	81.5 (2.06)
OWD926/1030C	0.926	1.03	23.6	26.2	Purple	25,000	79 (2.01)	89.5 (2.27)

Add suffix "L" for lefthand lay or "R" for righthand lay.

Ordering Example: For 0.360" lefthand lay OPGW cable, the AFL number is OWD355/399CL.



Comealong for Optical Ground Wire – OCA Series

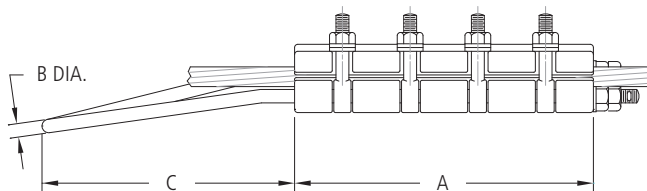
OPGW Comealongs are stringing tools designed for pulling optical ground wire up to initial sag tensions. If the required tension is greater than the rated tension of a single comealong, two or more comealongs should be used (refer to Installation Instructions). When desired sag tension is reached, the cable should be dead ended promptly and the comealong removed.

Comealongs must receive periodic maintenance. This practice should consist of a thorough cleaning with close inspection for nicked or rough cable grooves, cracked body, bent eye bolts, or damaged bail. The eyebolts should be kept clean and oiled. The cable groove should be kept clean and dry. After each six months use and at the beginning of each job, all comealongs should be subjected to a pull test equal to its rated strength. If any damage is found, the comealong should be disposed of properly.

Features

- Highly engineered product
- Extruded aluminum body for greater strength and tolerance control
- Bails are magnafluxed for quality assurance
- Double lock nuts with cotter pins on the bail
- Peened 1/2" eye bolts prevent loss of nuts and washers
- Angled bail provides clearance between the conductor and the hoist to protect the cable from damage
- Approved for use on AFL cable only
- Approved for use without testing on cables designed to meet OPGW cable standard IEEE 1138

Specifications



OPGW DIAMETER RANGE (IN.)	EYEBOLTS		DIMENSIONS						WEIGHT	
			A		B		C			
	DIA.	NO.	IN.	MM	IN.	MM	IN.	MM	LB.	KG
0 -.820	1/2"	4	11	279	.5	13	8	203	9	4.08
.821-1.000	5/8"	4	12.5	318	.62	16	8	203	16	7.26

For installation instructions, see page 139.

Ordering Instructions

Refer to charts on next page for part numbers.

OCA + Cable Diameter Range

Ordering Example: For OCA Series Comealong with a .500" to .509" cable diameter range, the part number is OCA500/509.

LOAD RATING: Maximum tension limit is 50% of the rated strength of the OPGW or 5,000 pounds, whichever value is smaller.

WARNING: Comealongs are not intended for use as dead ends and are not recommended to hold conductors at sag tension limits for longer than 6 hours.

continued
→

Comealong for Optical Ground Wire—OCA Series (cont.)

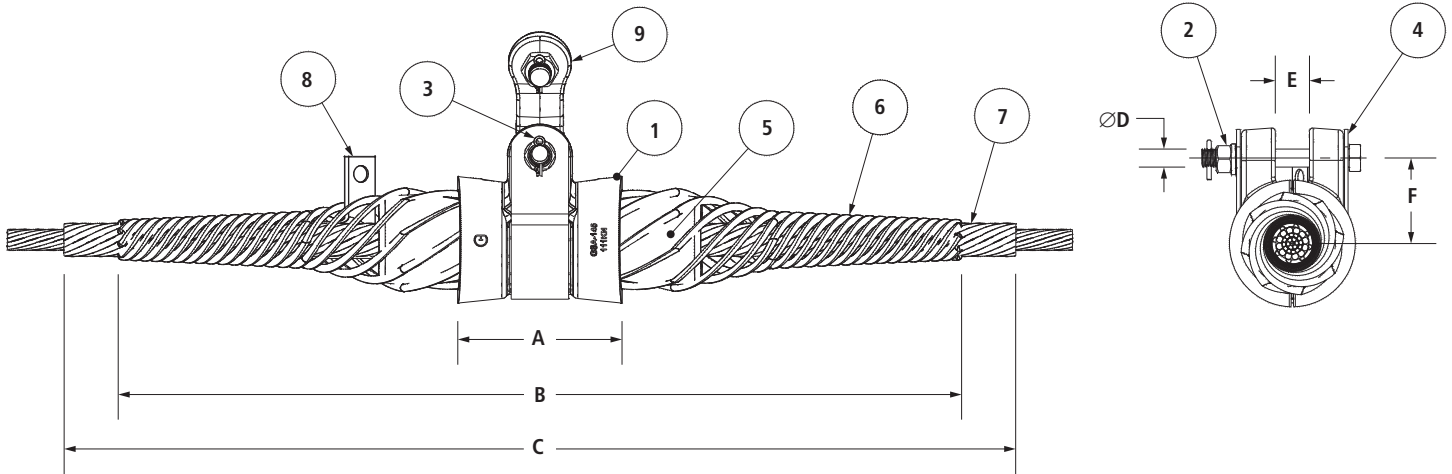
AFL NO.	CABLE DIAMETER RANGE (INCHES)	
	MIN	MAX
OCA310/319	.310	.319
OCA320/329	.320	.329
OCA330/339	.330	.339
OCA340/349	.340	.349
OCA350/359	.350	.359
OCA360/369	.360	.369
OCA370/379	.370	.379
OCA380/389	.380	.389
OCA390/399	.390	.399
OCA400/409	.400	.409
OCA410/419	.410	.419
OCA420/429	.420	.429
OCA430/439	.430	.439
OCA440/449	.440	.449
OCA450/459	.450	.459
OCA460/469	.460	.469
OCA470/479	.470	.479
OCA480/489	.480	.489
OCA490/499	.490	.499
OCA500/509	.500	.509
OCA510/519	.510	.519
OCA520/529	.520	.529
OCA530/539	.530	.539
OCA540/549	.540	.549
OCA550/559	.550	.559
OCA560/569	.560	.569
OCA570/579	.570	.579
OCA580/589	.580	.589
OCA590/599	.590	.599
OCA600/609	.600	.609
OCA610/619	.610	.619
OCA620/629	.620	.629
OCA630/639	.630	.639
OCA640/649	.640	.649
OCA650/659	.650	.659

AFL NO.	CABLE DIAMETER RANGE (INCHES)	
	MIN	MAX
OCA660/669	.660	.669
OCA670/679	.670	.679
OCA680/689	.680	.689
OCA690/699	.690	.699
OCA700/709	.700	.709
OCA710/719	.710	.719
OCA720/729	.720	.729
OCA730/739	.730	.739
OCA740/749	.740	.749
OCA750/759	.750	.759
OCA760/769	.760	.769
OCA770/779	.770	.779
OCA780/789	.780	.789
OCA790/799	.790	.799
OCA800/809	.800	.809
OCA810/819	.810	.819
OCA820/829	.820	.829
OCA830/839	.830	.839
OCA840/849	.840	.849
OCA850/859	.850	.859
OCA860/869	.860	.869
OCA870/879	.870	.879
OCA880/889	.880	.889
OCA890/899	.890	.899
OCA900/909	.900	.909
OCA910/919	.910	.919
OCA920/929	.920	.929
OCA930/939	.930	.939
OCA940/949	.940	.949
OCA950/959	.950	.959
OCA960/969	.960	.969
OCA970/979	.970	.979
OCA980/989	.980	.989
OCA990/999	.990	.999

LOAD RATING: Maximum tension limit is 50% of the rated strength of the OPGW or 5,000 pounds, whichever value is smaller.

WARNING: Comealongs are not intended for use as dead ends and are not recommended to hold conductors at sag tension limits for longer than 6 hours.

Double Layer Formed Wire Suspension for OPGW – Single



Item	Description	Material
1	Housing	Aluminum
2	Bolt, Split Washer, Nut	Galvanized Steel
3	Cotter Pin	Stainless Steel
4	Strap	Aluminum
5	Insert	EPDM & Aluminum
6	Outer Rods	Aluminum
7	Inner Rods	Aluminum
8	Current Transfer Tab	Aluminum
9	Y-Clevis Eye (optional)	Galvanized Steel

Features

- Single suspension for line or elevation angle changes up to 30°
- Slip load initially 10% to 20% of standard OPGW rated breaking strength
- Suspension components cannot be reused

Ordering Information

OSU	YYY/YYY	C	L
Double Layer Formed Wire Suspension for OPGW – Single	Cable Range Code in Decimal Inches (see table on following page)	C = Y-Clevis Eye C90 = Y-Clevis Eye 90 Blank = No Clevis Eye	L = Left Hand Lay R = Right Hand Lay

Example: For Standard Left Hand Lay OPGW with diameter of 0.571 inches and Y-Clevis Eye, order AFL No. OSU566/573CL.

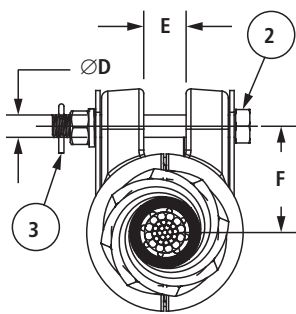
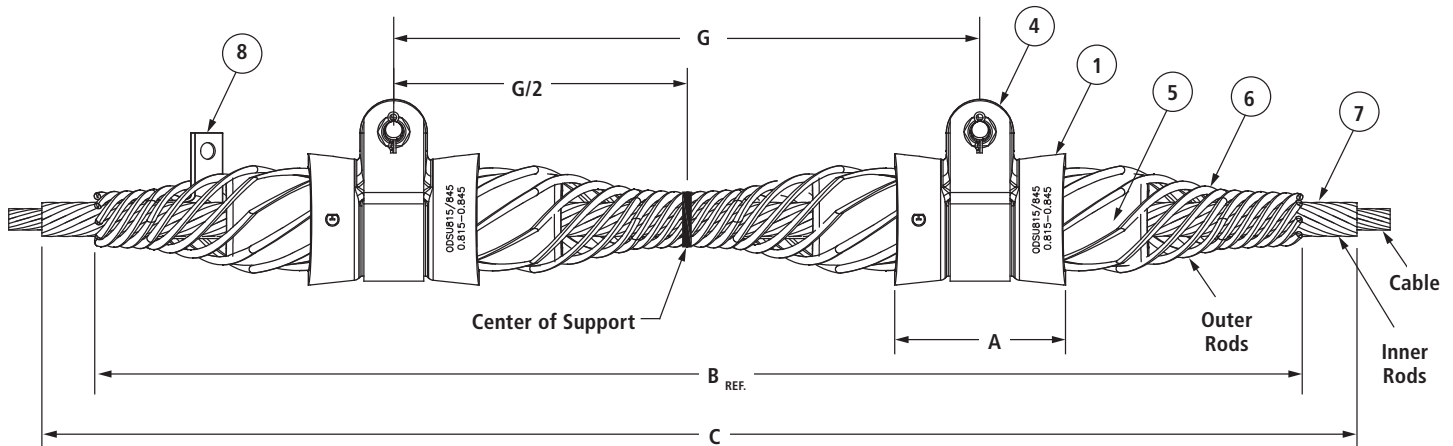
continued
→

Double Layer Formed Wire Suspension for OPGW – Single (cont.)

CABLE RANGE (in decimal inches)	RODS PER SET		HOUSING A	OUTER RODS B	INNER RODS C	BOLT DIA. D	CLEVIS SPACING E	BOLT CENTER TO FIBER CENTER F	COLOR CODE					
	INNER	OUTER												
354/381	9	11	3.86	42.00	66.00	0.63	0.75	2.32	BLUE					
382/398									GREEN					
399/418									YELLOW					
419/439	10	11	3.86	42.00	67.00	0.63	0.75	2.32	BLACK					
440/458	11			43.00	68.00				WHITE					
459/461	10			10	4.53				46.00	72.00	0.63	0.88	2.38	ORANGE
462/476		PURPLE												
477/503		11	73.00			ORANGE								
504/511	12	10	4.53	46.00	76.00	0.63	0.88	2.38	PURPLE					
512/536	11	11		49.00					77.00	0.63	0.88	2.68	BLUE	
537/559													GREEN	
560/565			12		5.00	54.00	79.00	0.63					0.88	2.68
566/573	BLACK													
574/598	WHITE													
599/625	11	11	5.71	63.00	94.00	0.63	1.19	2.93	BROWN					
626/632	11	11							63.00	94.00	0.63	1.19	2.93	RED
633/666														BLUE
667/682														GREEN
683/710														YELLOW
711/728	12	12	5.71	63.00	94.00	0.63	1.19	2.93	BLACK					
729/744									WHITE					
745/750									WHITE					
751/786									BROWN					
787/814	11	11	6.10	72.00	100.00	0.75	1.25	3.36	GREEN					
815/845	11	11	6.10	72.00	100.00	0.75	1.25	3.36	YELLOW					
846/855				BLUE										
856/894				BLACK										
895/907	12	12	6.10	80.00	100.00	0.75	1.25	3.36	WHITE					
908/916	12	12							80.00	100.00	0.75	1.25	3.36	PURPLE
917/929														BROWN
930/942														RED
943/977														13

continued
→

Double Layer Formed Wire Suspension for OPGW – Double



Item	Description	Material
1	Housing	Aluminum
2	Bolt, Nut	Galvanized Steel
3	Cotter Pin	Stainless Steel
4	Strap	Aluminum
5	Insert	EPDM & Aluminum
6	Outer Rods	Aluminum
7	Inner Rods	Aluminum
8	Current Transfer Tab	Aluminum

Features

- Double suspension for line or elevation angle changes from 30° to 60°
- Slip load initially 10% to 20% of standard OPGW rated breaking strength
- Suspension components cannot be reused

Ordering Information

ODSU

Double Layer Formed Wire Suspension for OPGW – Double

YYY/YYY

Cable Range Code in Decimal Inches (see table on following page)

L

L = Left Hand Lay
R = Right Hand Lay

Example: For Standard Left Hand Lay OPGW with diameter of 0.571 inches, order AFL No. ODSU566/573L.

continued
→

Double Layer Formed Wire Suspension for OPGW – Double (cont.)

CABLE RANGE (in decimal inches)	VERTICAL ULTIMATE STRENGTH (lbs)	RODS PER SET		HOUSING A	OUTER RODS B	INNER RODS C	BOLT DIA. D	CLEVIS SPACING E	BOLT CENTER TO FIBER CENTER F	HOUSING CENTER TO HOUSING CENTER G	COLOR CODE					
		INNER	OUTER													
354/381	15,000	9	11	3.86	60.00	84.00	0.63	0.75	2.32	18.00	BLUE					
382/398											GREEN					
399/418		10									YELLOW					
419/439											BLACK					
440/458											WHITE					
459/461	20,000	10	10	4.53	64.00	90.00	0.63	0.88	2.38	18.00	ORANGE					
462/476											PURPLE					
477/503											ORANGE					
504/511		12			PURPLE											
512/536					BLUE											
537/559		11			11	5.00			67.00		94.00	0.63	0.88	2.68	22.00	GREEN
560/565			GREEN													
566/573			BLACK													
574/598			WHITE													
599/625			BROWN													
626/632		25,000	11	11	5.71	89.00	120.00	0.63	1.19	2.93	26	RED				
633/666	BLUE															
667/682	GREEN															
683/710	YELLOW															
711/728	12		12	5.71	89.00	120.00	0.63			1.19		2.93	26	BLACK		
729/744														WHITE		
745/750														WHITE		
751/786														BROWN		
787/814	25,000	11	11	6.10	101.00	129.00	0.75	1.25	3.36	29.00	GREEN					
815/845											YELLOW					
846/855		12	12		6.10	112.00					132.00	0.75	1.25	3.36	29.00	BLUE
856/894																BLACK
895/907																WHITE
908/916																PURPLE
917/929																BROWN
930/942																RED
943/977																ORANGE



HIBUS® Series OPGW Suspension

The Hinged Bushing Suspension is designed to reduce the static and dynamic stress at the attachment point on all types of OPGW fiber cables without the use of protective rods. Eliminating the need for the rods was achieved by the use of a unique bushing system that allows the OPGW cable to better withstand the effects of aeolian vibration. Test results have proven its ability to provide superior protection for your fiber system. The hinged concept on the suspension configuration provides self alignment of the housing halves. All of the hardware is captive except for the attachment pin.

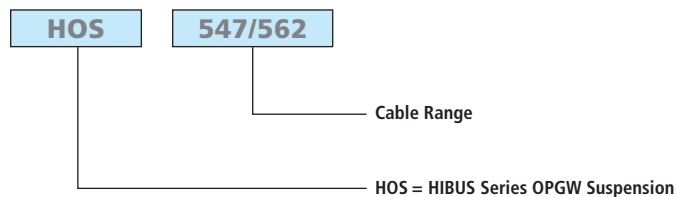
Test reports available include vibration test, slip test, ultimate strength and angle test.

Clamp rated slip load at 20% of RBS for cables with less than 25,000 lbs breaking load. Contact AFL for slip rating on cables greater than 25,000 lbs RBS.

Features

- Self-aligning housing halves
- Stress relief bushing system
- Aluminum clamp body with captive stainless steel mounting bolts
- Galvanized steel mounting pin with cotter pin
- Line angles up to 20° for single unit, up to 40° for two units using an 18" yoke plate.

Ordering Information

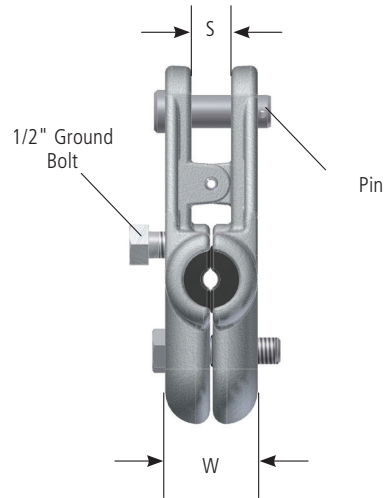
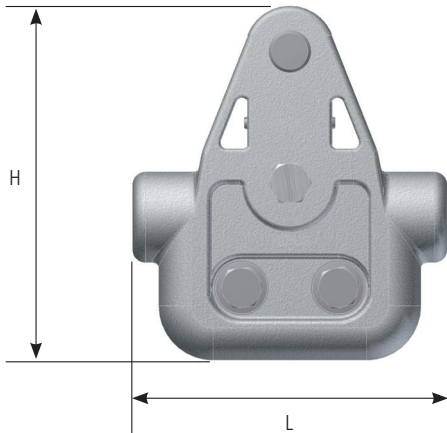


ORDERING EXAMPLE:

For a HIBUS Series OPGW Suspension with a 0.547" - 0.562" cable range, the part number is HOS547/562.

continued
→

HIBUS® Series OPGW Suspension

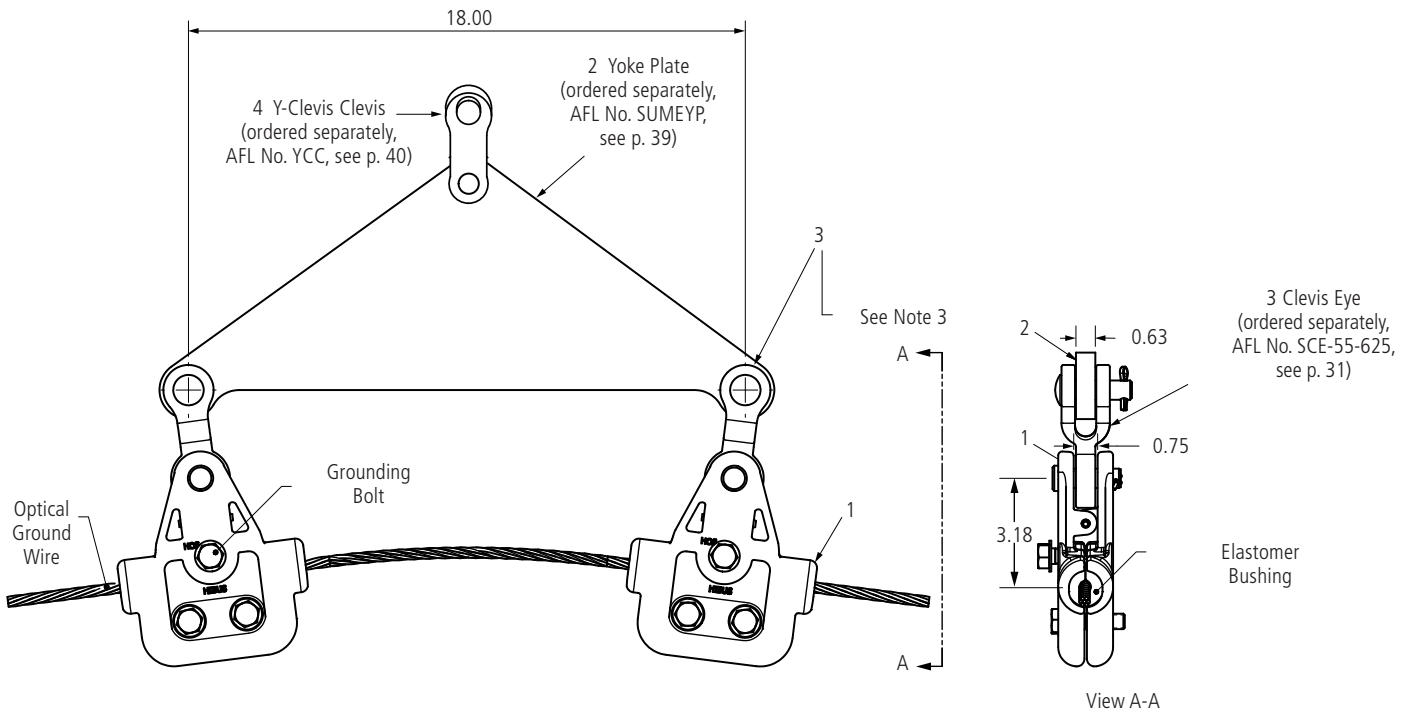


AFL NO.	RANGE (IN)		RANGE (MM)		LENGTH (L)	HEIGHT (H)	WIDTH (W)	CLEVIS WIDTH (S)	WEIGHT (LBS)	VERT. LOAD RATING (LBS)	PIN SIZE
	MIN	MAX	MIN	MAX							
HOS335/345	0.335	0.345	8.51	8.76	6.1"	6.8"	1.75"	.75"	3.4	20,000	0.625" x 2.00"
HOS346/360	0.346	0.360	8.77	9.14							
HOS361/375	0.361	0.375	9.15	9.53							
HOS376/390	0.376	0.390	9.54	9.91							
HOS391/406	0.391	0.406	9.92	10.31							
HOS407/418	0.407	0.418	10.32	10.62							
HOS419/434	0.419	0.434	10.63	11.02							
HOS435/448	0.435	0.448	11.03	11.38							
HOS449/465	0.449	0.465	11.39	11.81							
HOS466/480	0.466	0.480	11.82	12.19							
HOS481/500	0.481	0.500	12.20	12.70							
HOS501/516	0.501	0.516	12.71	13.11							
HOS517/531	0.517	0.531	13.12	13.49							
HOS532/546	0.532	0.546	13.50	13.87							
HOS547/562	0.547	0.562	13.88	14.27							
HOS563/577	0.563	0.577	14.28	14.66							
HOS578/584	0.578	0.584	14.67	14.83							
HOS585/599	0.585	0.599	14.84	15.21							
HOS600/614	0.600	0.614	15.22	15.60							
HOS615/629	0.615	0.629	15.61	15.98							
HOS630/644	0.630	0.644	15.99	16.36							
HOS645/659	0.645	0.659	16.37	16.74							
HOS660/666	0.660	0.666	16.75	16.92							
HOS667/681	0.667	0.681	16.93	17.30							
HOS682/696	0.682	0.696	17.31	17.68							
HOS697/711	0.697	0.711	17.69	18.06							
HOS712/726	0.712	0.726	18.07	18.44							
HOS727/741	0.727	0.741	18.45	18.82							
HOS742/750	0.742	0.750	18.83	19.05							

continued →

Fiber Optic Cable Hardware

HIBUS® OPGW Double Suspension – Configuration Assemblies



Bill of Material

ITEM	DESCRIPTION	AFL OR DWG. NO.	REQ'D
1	HIBUS OPGW Suspension Clamp Assembly	HOS XXX/XXX	2
2	Yoke Plate	SUMEYP	1
3	Clevis Eye	SCE-55-625	2
4	Y-Clevis Clevis	YCC	1

Strength Rating Information

- Hibus opgw [optical ground wire] Suspension Clamp - Item (1) ultimate strength rating: 20,000 lbs.
- Hibus opgw [optical ground wire] Suspension Clamp rated slip load @ 20% of rts for cables with less than 25,000 breaking load. Contact AFL for slip load rating on cables greater than 25,000 lbs. Rts.
- Attachment hardware:
 - Yoke plate - Item (2) - ultimate strength rating: 40,000 lbs.
 - Clevis eye - Item (3) - ultimate strength rating: 25,000 lbs.
 - Y-Clevis Clevis - Item (4) - ultimate strength rating: 30,000 lbs.
- Max line angle is 40 degrees.



HIBUS® Series OPGW Trunnion

The HIBUS Trunnion is designed to reduce the static and dynamic stress at the attachment point on all types of OPGW fiber cables without the use of protective rods. Eliminating the need for the rods was achieved by the use of a unique bushing system that allows the OPGW cable to better withstand the effects of aeolian vibration. Test results have proven its ability to provide superior protection for your fiber system. All of the hardware is captive except for attachment pin.

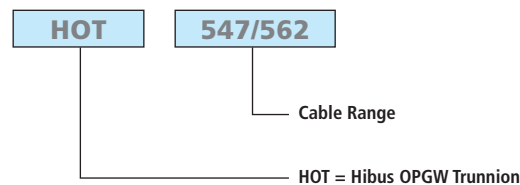
Test reports available include vibration test, slip test, ultimate strength, and angle test.

Clamp rated slip load at 20% of RBS for cables with less than 25,000 lbs breaking load. Contact AFL for slip rating on cables greater than 25,000 lbs RBS.

Features

- Stress relief bushing system
- Aluminum clamp body with stainless steel captive securing bolts
- Line angles up to 20°

Ordering Information

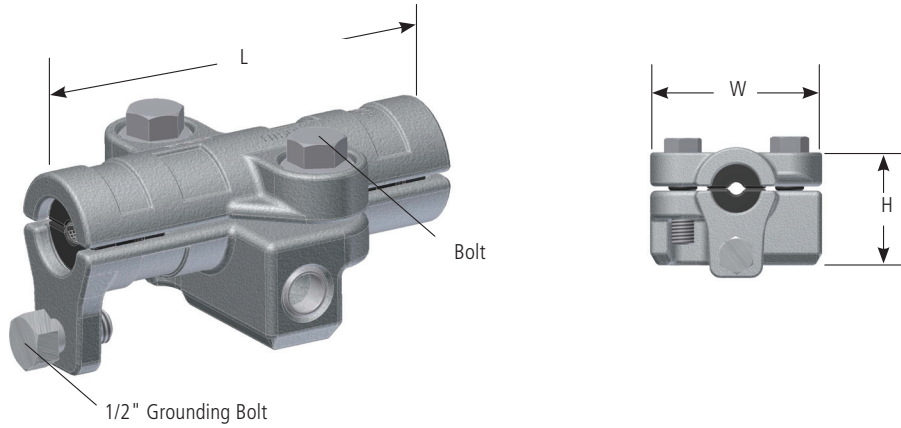


ORDERING EXAMPLE:

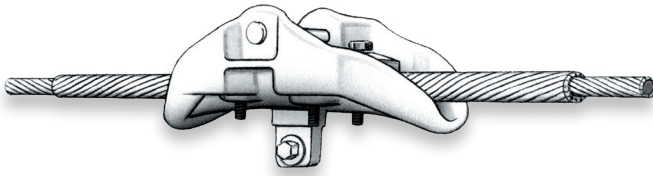
For a HIBUS Series OPGW Trunnion with a 0.547" - 0.562" cable range, the part number is HOT547/562.

continued
→

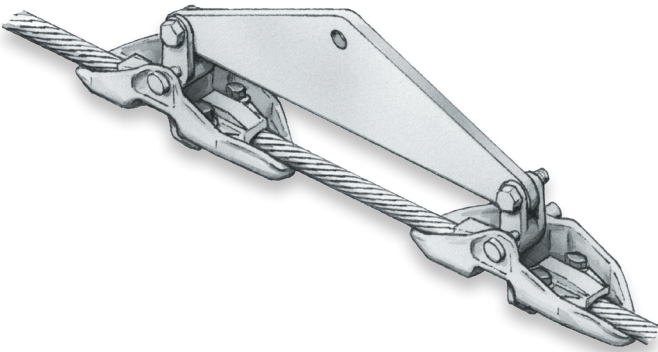
HIBUS® Series OPGW Trunnion



AFL NO.	RANGE (IN)		RANGE (MM)		LENGTH (L)	HEIGHT (H)	WIDTH (W)	WEIGHT (LBS)	VERT. LOAD RATING (LBS)
	MIN	MAX	MIN	MAX					
HOT335/345	0.335	0.345	8.51	8.76	6.1"	2.5"	3.8"	2.3	20,000
HOT346/360	0.346	0.360	8.77	9.14					
HOT361/375	0.361	0.375	9.15	9.53					
HOT376/390	0.376	0.390	9.54	9.91					
HOT391/406	0.391	0.406	9.92	10.31					
HOT407/418	0.407	0.418	10.32	10.62					
HOT419/434	0.419	0.434	10.63	11.02					
HOT435/448	0.435	0.448	11.03	11.38					
HOT449/465	0.449	0.465	11.39	11.81					
HOT466/480	0.466	0.480	11.82	12.19					
HOT481/500	0.481	0.500	12.20	12.70					
HOT501/516	0.501	0.516	12.71	13.11					
HOT517/531	0.517	0.531	13.12	13.49					
HOT532/546	0.532	0.546	13.50	13.87					
HOT547/562	0.547	0.562	13.88	14.27					
HOT563/577	0.563	0.577	14.28	14.66					
HOT578/584	0.578	0.584	14.67	14.83					
HOT585/599	0.585	0.599	14.84	15.21					
HOT600/614	0.600	0.614	15.22	15.60					
HOT615/629	0.615	0.629	15.61	15.98					
HOT630/644	0.630	0.644	15.99	16.36					
HOT645/659	0.645	0.659	16.37	16.74					
HOT660/666	0.660	0.666	16.75	16.92					
HOT667/681	0.667	0.681	16.93	17.30					
HOT682/696	0.682	0.696	17.31	17.68					
HOT697/711	0.697	0.711	17.69	18.06					
HOT712/726	0.712	0.726	18.07	18.44					
HOT727/741	0.727	0.741	18.45	18.82					
HOT742/750	0.742	0.750	18.83	19.05					



Single Suspension



Double Suspension shown with optional Yoke Plate and Clevis Eyes

Mechanical Suspensions— Single and Double

Supporting spans of Optical Ground Wire cable through a wide range of line angle changes, the unique design of the lightweight AFL Mechanical Suspension installs easily while supporting vertical, transverse, longitudinal unbalanced loads and angle pulls without damaging the cable strands or affecting optical fiber performance. Breakaway bolts ensure proper installation torque while eliminating the need for specialized torque wrenches. The assemblies are designed for fast installation to minimize costs.

Features

- Compact design:
 - Single Suspension = 34" in length
 - Double Suspension = 48" in length
- Ideal for helicopter installation
- Unique keeper design allows installation without removing bolts (fewer loose parts)
- Grounding lug included, eliminating additional accessories for electrical bonding
- Shorter than formed wire suspensions, allowing installation from the support structure
- Standard assembly includes suspension unit and rods

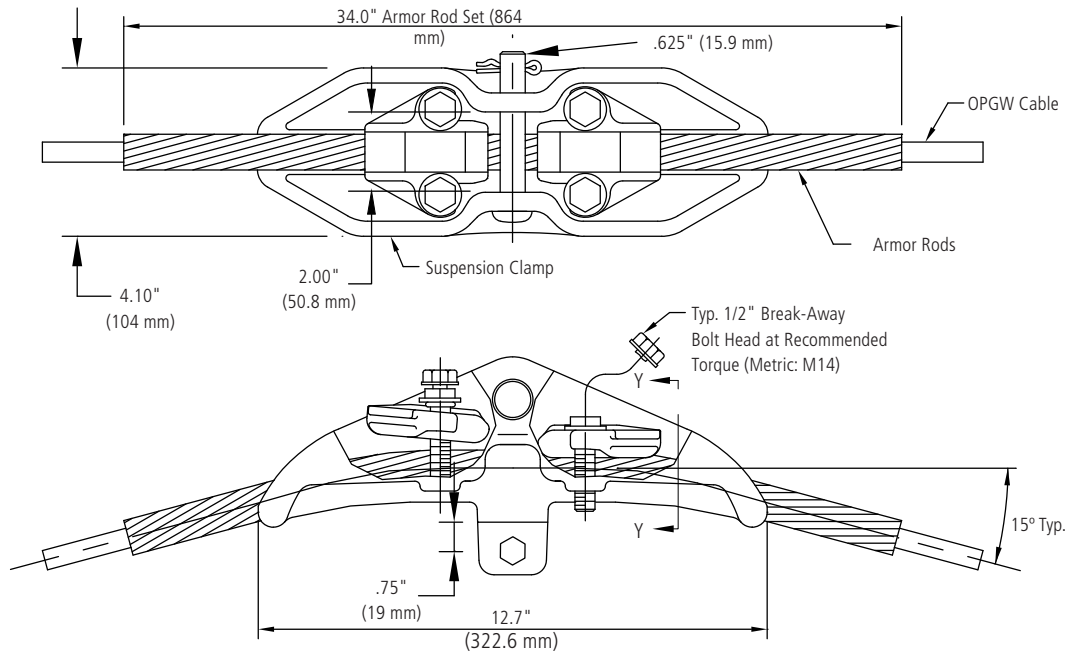
Qualifications

GOVERNING BODY	STANDARD CODE	TESTS
IEEE	1138	Vibration Galloping

continued
→

Mechanical Suspensions—Single and Double (cont.)

Single Mechanical Suspension for OPGW



Ordering Information—Single

Assembly includes suspension and rods. For line or elevation angle changes up to 30°.

OPGW DIAMETER		EST. WEIGHT		AFL NO.
INCHES	MILLIMETERS	LBS.	KG	
0.350 - 0.389	8.89 - 9.88	5.7	2.6	SUME350/389
0.390 - 0.420	9.91 - 10.67	5.7	2.6	SUME390/420
0.421 - 0.449	10.69 - 11.40	5.8	2.6	SUME421/449
0.450 - 0.475	11.43 - 12.07	5.8	2.6	SUME450/475
0.476 - 0.499	12.09 - 12.67	5.8	2.6	SUME476/499
0.500 - 0.527	12.70 - 13.39	5.8	2.6	SUME500/527
0.528 - 0.555	13.41 - 14.10	5.8	2.6	SUME528/555
0.556 - 0.584	14.12 - 14.83	6.3	2.9	SUME556/584
0.585 - 0.614	14.86 - 15.60	6.3	2.9	SUME585/614
0.615 - 0.646	15.62 - 16.41	6.3	2.9	SUME615/646
0.647 - 0.679	16.43 - 17.25	6.3	2.9	SUME647/679
0.680 - 0.714	17.27 - 18.14	6.3	2.9	SUME680/714
0.715 - 0.770	18.16 - 18.54	6.3	2.9	SUME715/770

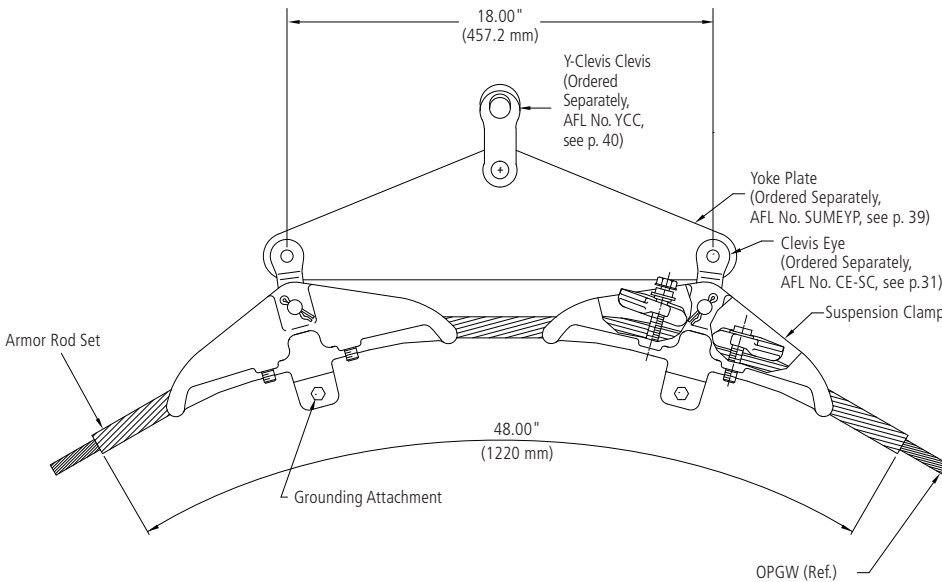
Ordering Example

For 0.512" diameter cable, the part number is SUME500/527.

- NOTES:**
1. For metric hardware, add suffix "M" to part number.
 2. Contact AFL for OPGW cable over 0.770 inch diameter.
 3. Installation instructions are available online for the [Single Mechanical Suspension](#).

Mechanical Suspensions—Single and Double (cont.)

Double Suspension for OPGW



Ordering Information—Double

Standard unit includes suspensions and rods. For line or elevation angle changes from 31° to 60°.

OPGW DIAMETER		EST. WEIGHT		AFL NO.
INCHES	MILLIMETERS	LBS.	KG	
0.350 - 0.389	8.89 - 9.88	5.7	2.6	ODSME350/389
0.390 - 0.420	9.91 - 10.67	5.7	2.6	ODSME390/420
0.421 - 0.449	10.69 - 11.40	5.8	2.6	ODSME421/449
0.450 - 0.475	11.43 - 12.07	5.8	2.6	ODSME450/475
0.476 - 0.499	12.09 - 12.67	5.8	2.6	ODSME476/499
0.500 - 0.527	12.70 - 13.39	5.8	2.6	ODSME500/527
0.528 - 0.555	13.41 - 14.10	5.8	2.6	ODSME528/555
0.556 - 0.584	14.12 - 14.83	6.3	2.9	ODSME556/584
0.585 - 0.614	14.86 - 15.60	6.3	2.9	ODSME585/614
0.615 - 0.646	15.62 - 16.41	6.3	2.9	ODSME615/646
0.647 - 0.679	16.43 - 17.25	6.3	2.9	ODSME647/679
0.680 - 0.714	17.27 - 18.14	6.3	2.9	ODSME680/714
0.715 - 0.770	18.16 - 18.54	6.3	2.9	ODSME715/770

Ordering Example

For 0.512" diameter cable, the part number is ODSME500/527.

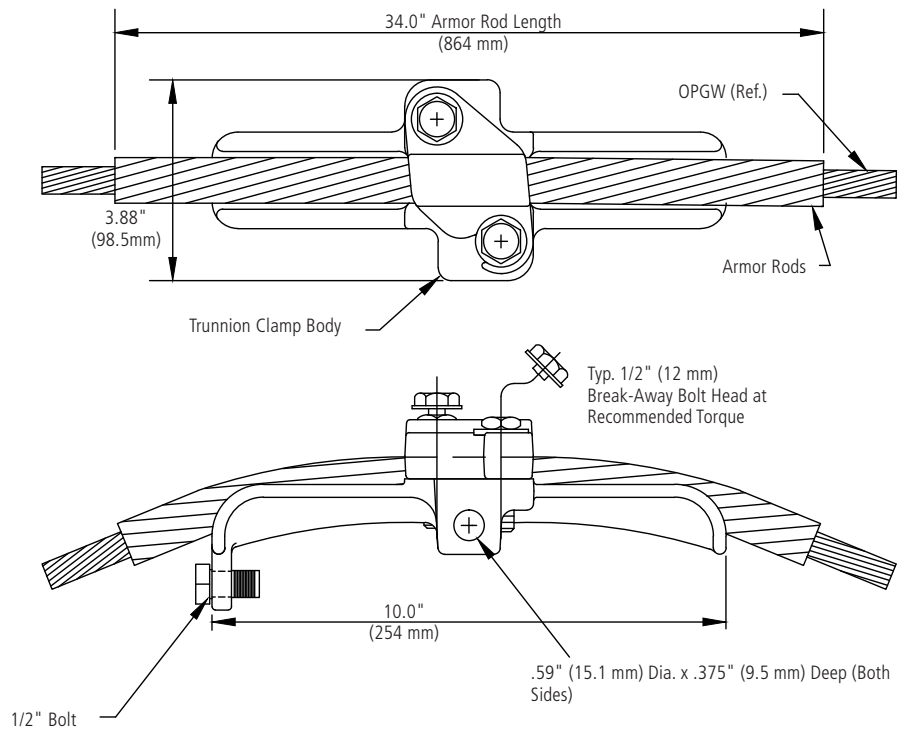
- NOTES:**
1. For metric hardware, add suffix "M" to part number.
 2. For optional yoke plate (as shown), order separately as SUMEYP.
 3. Clevis eyes sold separately, see page 31.
 4. Y-Clevis Clevis sold separately, see page 40.
 5. Contact AFL for OPGW cable over 0.770 inch diameter.
 6. Installation instructions are available online for the [Double Mechanical Suspension](#).

Trunnion for OPGW

The trunnion support clamp is used to secure the OPGW cable to a trunnion type bracket configuration. Either mounted directly to the tower or an insulator, the clamp provides enough force to maintain the designed slip load without causing cable attenuation. For more information, contact factory regarding slip load capabilities.

Features

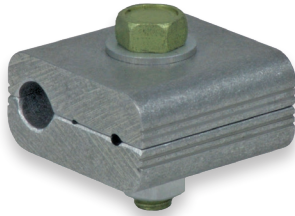
- Keeper is designed for easy installation without removal of keeper bolts. Break-away head bolts ensure proper installation torque.
- Clamp assembly includes Armor Rod set.
- Weight: 3.5 lbs. (1.6 kg)
- Line angles up to 20°



Ordering Information

AFL NO.	OPGW CABLE DIAMETER RANGE	
	INCHES	MILLIMETERS
OTR421/449G	.421 - .449	10.69 - 11.40
OTR450/475G	.450 - .475	11.43 - 12.07
OTR476/499G	.476 - .499	12.09 - 12.67
OTR500/527G	.500 - .527	12.70 - 13.39
OTR528/555G	.528 - .555	13.41 - 14.10
OTR556/584G	.556 - .584	14.12 - 14.83
OTR585/614G	.585 - .614	14.86 - 15.60
OTR615/646G	.615 - .646	15.62 - 16.41
OTR647/679G	.647 - .679	16.43 - 17.25
OTR680/714G	.680 - .714	17.27 - 18.14
OTR715/750G	.715 - .750	18.16 - 19.05

NOTE: For installation instructions, see page 136.



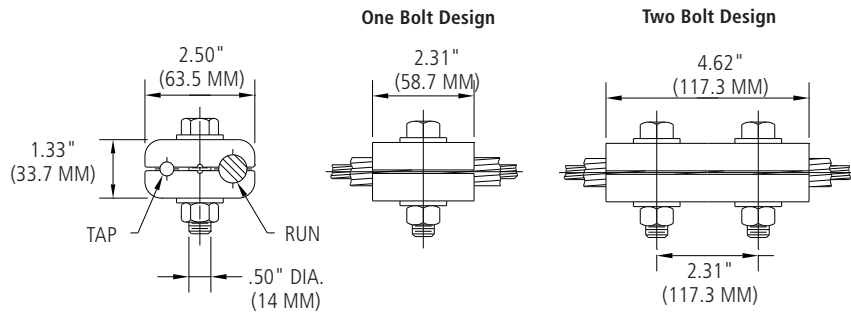
Bonding Clamps for OPGW

The Bonding Clamp is used to ground OPGW to the tower by attaching to the tower grounding wire. Specific requirements vary from one utility to another. The product is an aluminum extruded parallel groove clamp. The clamp is available with one or two bolts, depending on the application requirements.

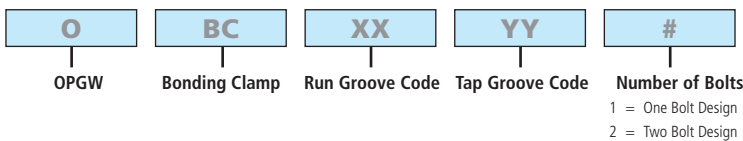
Features

- Hardware is high strength aluminum
- Clamp grooves are coated with NO-OX-ID and prefilled with Alnox.
- Recommended bolt torque: 25 ft.-lbs.

Specifications



Ordering Information

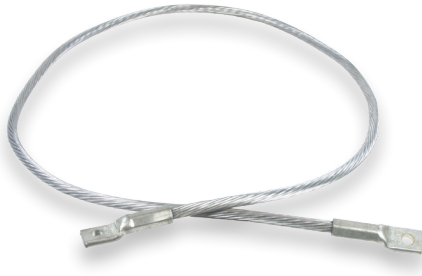


GROOVE CODE	GROOVE RANGE (inches)
A1	.112" - .126"
B1	.127" - .141"
C1	.142" - .156"
D1	.157" - .171"
E1	.172" - .186"
F1	.187" - .201"
G1	.202" - .216"
H1	.217" - .231"
J1	.232" - .246"
K1	.247" - .261"
L1	.262" - .276"
M1	.277" - .291"
N1	.292" - .306"
P1	.307" - .321"
Q1	.322" - .336"
R1	.337" - .351"
S1	.352" - .366"

GROOVE CODE	GROOVE RANGE (inches)
T1	.367" - .381"
U1	.382" - .396"
V1	.397" - .411"
W1	.412" - .424"
X1	.425" - .440"
Y1	.441" - .454"
Z1	.455" - .464"
A2	.465" - .480"
B2	.481" - .495"
C2	.496" - .510"
D2	.511" - .525"
E2	.526" - .540"
F2	.541" - .555"
G2	.556" - .570"
H2	.571" - .585"
J2	.586" - .600"
K2	.601" - .615"

GROOVE CODE	GROOVE RANGE (inches)
L2	.616" - .630"
M2	.631" - .645"
N2	.646" - .660"
P2	.661" - .675"
Q2	.676" - .690"
R2	.691" - .705"
S2	.706" - .720"
T2	.721" - .735"
U2	.736" - .750"
V2	.751" - .765"
W2	.766" - .780"
X2	.781" - .795"
Y2	.796" - .810"
Z2	.811" - .825"
A3	.826" - .840"
B3	.841" - .855"

NOTE: For installation instructions, see page 148.



Aluminum Bonding Wire

The Bonding Wire is used in conjunction with our dead end and suspension clamps to provide a path to ground from the OPGW cable to the tower. Bonding Wires are available in multiple lengths, lug sizes, and terminal angle options.

For more information on AFL's bonding assembly product offerings, applications, and configurations, please review the "OPGW and OHGW Bonding Assembly Selection" technical white paper at <https://learn.aflglobal.com/white-papers>

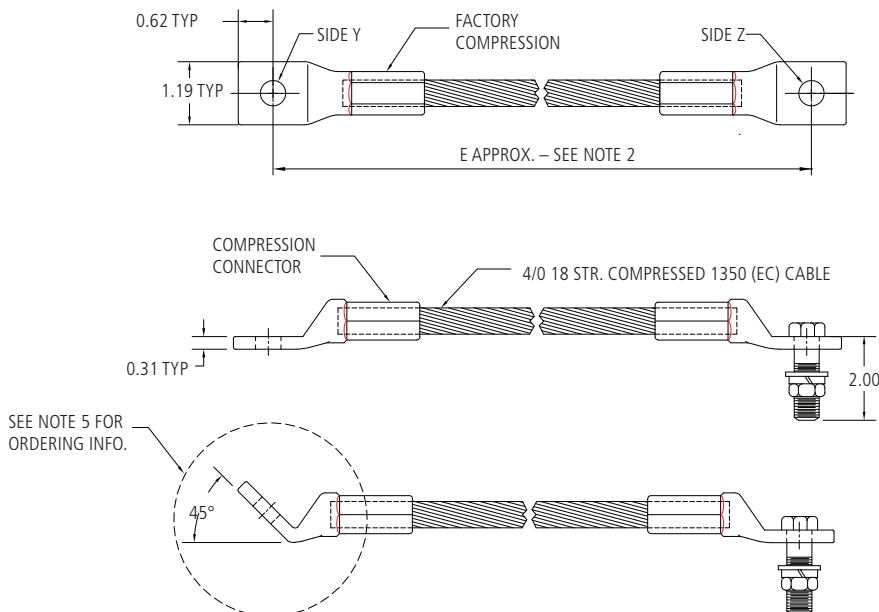
Ordering Information

BWAL	YY		H	/	ZZ		H	—	LL
Aluminum Bonding Wire	Terminal Selection Code — Side Y — (Smaller End)	Terminal Angle Blank = 0° Bend D = 45° Bend	Hardware H = Hardware Blank = No hardware		Terminal Selection Code — Side Z — (Larger End)	Terminal Angle Blank = 0° Bend D = 45° Bend	Hardware H = Hardware Blank = No hardware		Length in Inches (See Chart) *

DIMENSION "E" (length in inches)*
24
36
40
60
68

TERMINAL		
SELECTION CODE**	HARDWARE SIZE	MOUNT HOLE DIAMETER
38	3/8"	0.438
50	1/2"	0.531
62	5/8"	0.688
75	3/4"	0.812

- NOTES:**
- Connectors to be pre-compressed onto cable at factory.
 - If assembly does not contain two hole diameter codes, one terminal is supplied, and dimension "E" references wire end.
 - (*) For additional lengths not found in chart, contact AFL.
 - (**) To order 45° angled terminal, add suffix 'D' to selection code. Example: (BWAL50DH/50D-36).



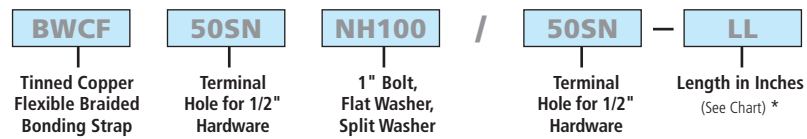


Tinned Copper Flexible Braided Bonding Strap

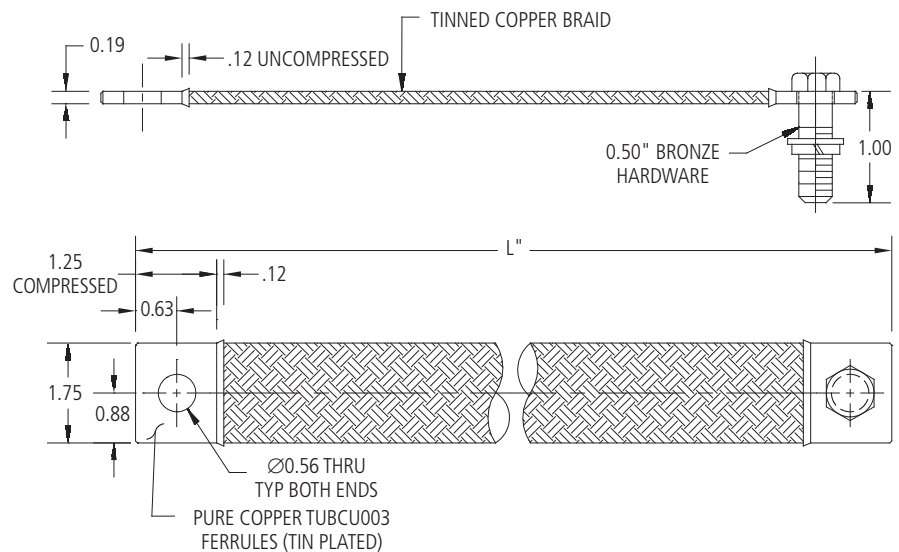
The Braided Bonding Strap is used in conjunction with our dead end and suspension clamps to provide a path to ground from the OPGW cable to the tower. Bonding straps are available in multiple lengths as shown in the table below.

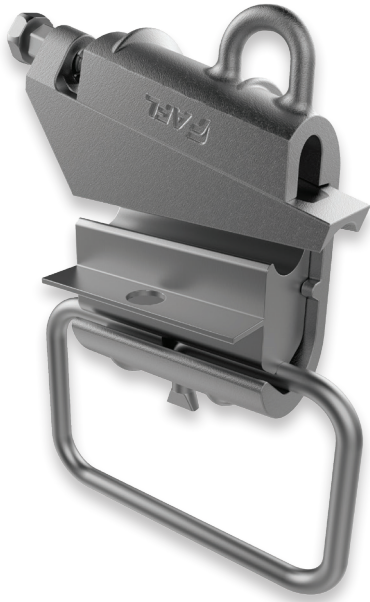
For more information on AFL's bonding assembly product offerings, applications and configurations, please review the "OPGW and OHGW Bonding Assembly Selection" technical white paper at <https://learn.aflglobal.com/white-papers>.

Ordering Information



AFL NO.	L (inches)
BWCF50SNH100/50SN-60	60
BWCF50SNH100/50SN-48	48
BWCF50SNH100/50SN-36	36
BWCF50SNH100/50SN-24	24





Hotline Stirrup Connectors for OPGW

AFL's OPGW Clamps are used to connect the optical ground wire in a manner providing protection to both the cable strands and underlying optical fibers. The bolted wedge technology makes installations quicker, easier and safer when compared with traditional tap connectors by eliminating the need for specialized tooling for the same type of connection. Once the appropriate pressure is obtained by the wedge, the breakaway bolt will shear off giving a visual indication that a correct installation has been made.

This connector is reusable and can easily be removed by backing out the bolt, which will drive out the wedge. AFL recommends replacing the bolt and applying more inhibitor grease when reusing.

The wedge stirrup connectors are comprised of high strength aluminum castings, a breakaway bolt, a tin-plated copper bail and a highly conductive aluminum interface, providing a secure, reliable solution with an installation that is both fast and simple.

Features

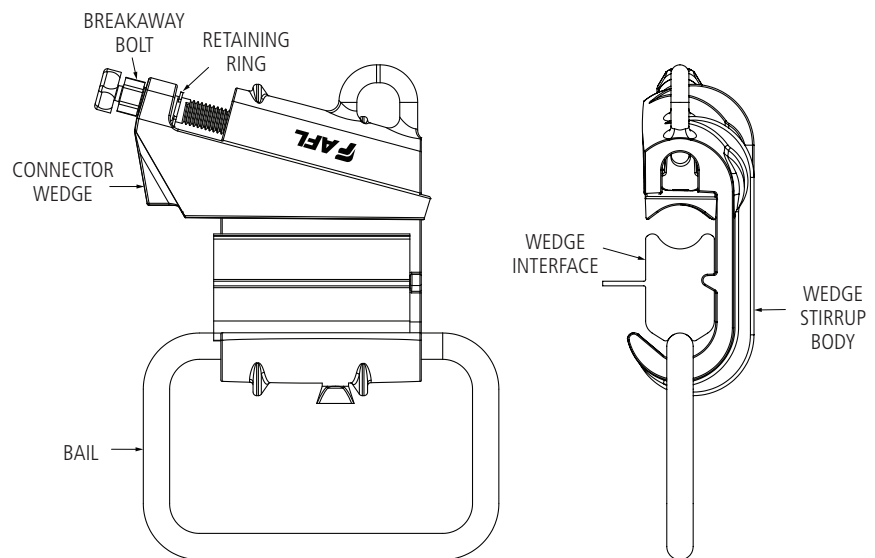
- Material
 - Wedge Stirrup Body—Aluminum Alloy
 - Connector Wedge—Aluminum Alloy
 - Wedge Interface—Aluminum Alloy
 - Bail—Tin Plated Copper
 - Breakaway Bolt—Aluminum Alloy
 - Retaining Ring—Steel
- Breakaway Bolt Torque: 10 ft-lbs

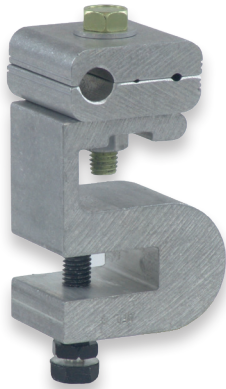
Ordering Information

LINE NO.	AFL NO.	CONDUCTOR DIAMETER RANGE	BAIL SIZE	BAIL AMPACITY
1	SCA-162/292B1	0.162" - 0.292"	1/0	550
2	SCA-292/398B1	0.292" - 0.398"		
3	SCA-414/522B1	0.414" - 0.522"		
4	SCA-502/574B1	0.502" - 0.574"		
5	SCA-586/724B1	0.586" - 0.724"		

Standard Packaging

QUANTITY	WEIGHT
25	25 lbs





Guide Clamp Shown with Adaptor

Guide Clamps for OPGW

The Guide Clamp is used to guide OPGW cable down steel towers, steel poles, concrete poles and wood poles to splice locations. The Guide Clamps may be bolted to the tower or poles. Additionally, adapters are available for the steel towers and steel & concrete poles.

Guide Clamps are typically two groove clamps spaced five to eight feet apart to help maintain alignment of and support the OPGW down the towers or poles.

Features

- Hardware is high strength aluminum
- Clamp grooves are coated with NO-OX-ID and prefilled with Alnox.
- Recommended bolt torque: 25 ft.-lbs.

Ordering Information

O	GC	XX	YY	Z	M
OPGW	Guide Clamp	Groove Code (Larger Cable)	Groove Code (Smaller Cable)	Indicates Adapters	Hardware
				A = Banding Adapter	M = Metric
				B = Lattice Adapter for web thickness 0.25" - 0.72"	
				C = Lattice Adapter for web thickness 0.72" - 1.25"	
				Omit = No adapter desired	

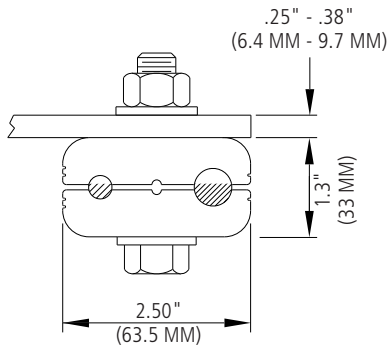
GROOVE CODE	GROOVE RANGE (inches)
A1	.112" - .126"
B1	.127" - .141"
C1	.142" - .156"
D1	.157" - .171"
E1	.172" - .186"
F1	.187" - .201"
G1	.202" - .216"
H1	.217" - .231"
J1	.232" - .246"
K1	.247" - .261"
L1	.262" - .276"
M1	.277" - .291"
N1	.292" - .306"
P1	.307" - .321"
Q1	.322" - .336"
R1	.337" - .351"
S1	.352" - .366"

GROOVE CODE	GROOVE RANGE (inches)
T1	.367" - .381"
U1	.382" - .396"
V1	.397" - .411"
W1	.412" - .424"
X1	.425" - .440"
Y1	.441" - .454"
Z1	.455" - .464"
A2	.465" - .480"
B2	.481" - .495"
C2	.496" - .510"
D2	.511" - .525"
E2	.526" - .540"
F2	.541" - .555"
G2	.556" - .570"
H2	.571" - .585"
J2	.586" - .600"
K2	.601" - .615"

GROOVE CODE	GROOVE RANGE (inches)
L2	.616" - .630"
M2	.631" - .645"
N2	.646" - .660"
P2	.661" - .675"
Q2	.676" - .690"
R2	.691" - .705"
S2	.706" - .720"
T2	.721" - .735"
U2	.736" - .750"
V2	.751" - .765"
W2	.766" - .780"
X2	.781" - .795"
Y2	.796" - .810"
Z2	.811" - .825"
A3	.826" - .840"
B3	.841" - .855"

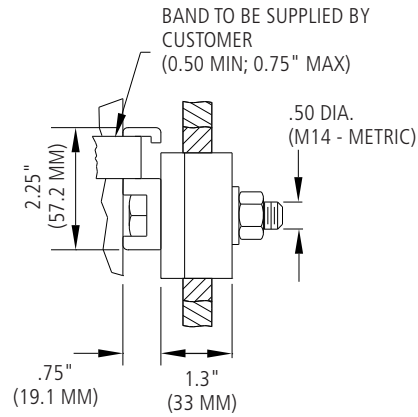
Guide Clamps for OPGW

Guide Clamps and Optional Guide Clamp Adapters



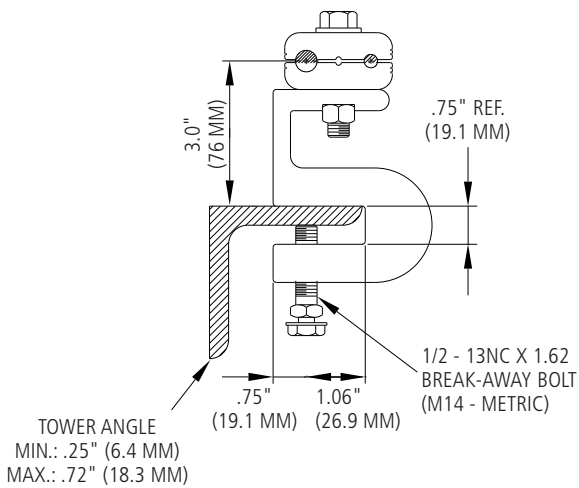
OGCXXYY

No Adapter



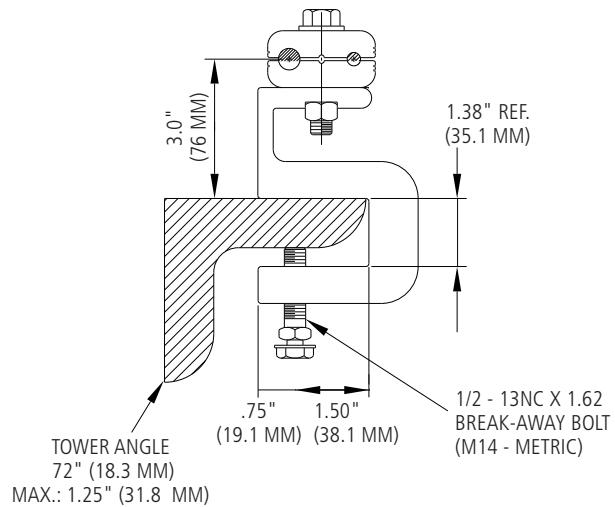
OGCXXYYA

TYPE A ADAPTER (BAND-
ING)
EST. WT.: .96 LBS. (.44 KG)



OGCXXYYB

TYPE B ADAPTER (LATTICE)
EST. WT.: 1.98 LBS. (.90 KG)



OGCXXYYC

TYPE C ADAPTER (LATTICE)
EST. WT.: 2.20 LBS. (1.00 KG)



Download Clamp shown with Adapter B

Download Clamps for OPGW and ADSS

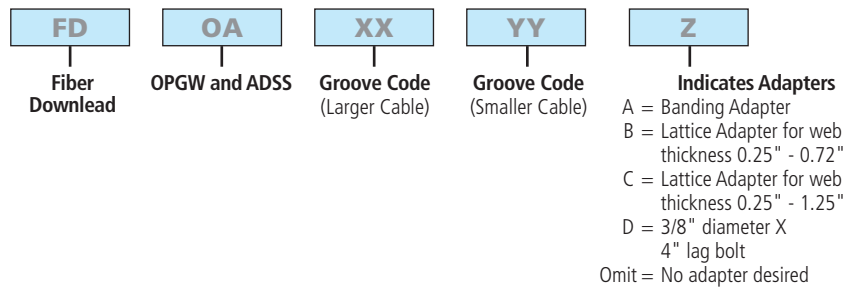
AFL Download Clamps are used to guide Optical Ground Wire from the top of the structure to the splice box. AFL's Download Clamps install easily and provide proper spacing and hold strength without damage to the cable. From poles to towers, AFL offers a full line of OPGW Download Clamps to meet the needs of any application.

Features

- Slip strength: >100 lbs.
- Lattice adapters provided with break-away bolts for precise torque during installation
- Steel tower guide clamps available with adapters to eliminate the need for drilling
- Banding adapters available

Ordering Information – Download Clamp & Adapter

GROOVE CODE	OPGW DIAMETER (inches)	COLOR CODE
B4	0.350 - 0.500	Red
B5	0.501 - 0.600	Green
B6	0.601 - 0.700	Yellow
B7	0.701 - 0.800	Blue
B8	0.801 - 0.900	White
B9	0.901 - 1.000	Black
B10	1.001 - 1.100	Orange



Ordering Example:

For 0.528" dia. OPGW and 0.484 ADSS with pole banding (Type A), the part number is FDOA-B4B5A.

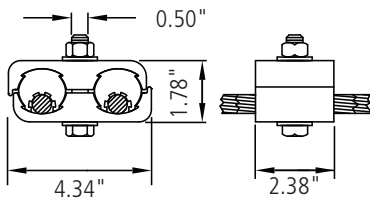
- NOTES:** 1. See next page for optional download clamp adapters.
2. For installation instructions, see page 143.

continued
→

Download Clamps for OPGW

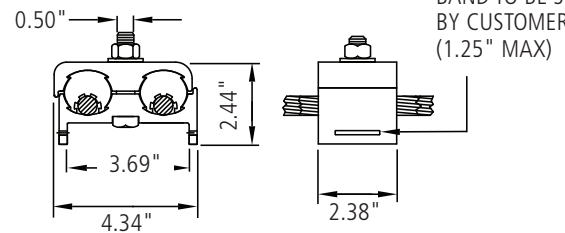
Dimensions

FIG. 1

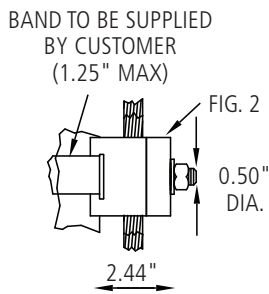


FDOA XXYY
NO ADAPTER

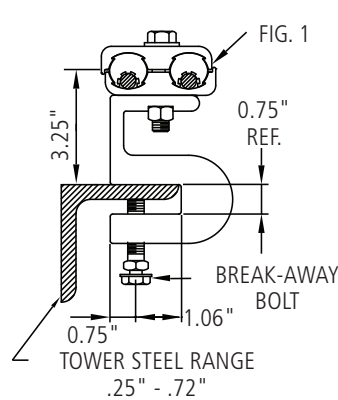
FIG. 2



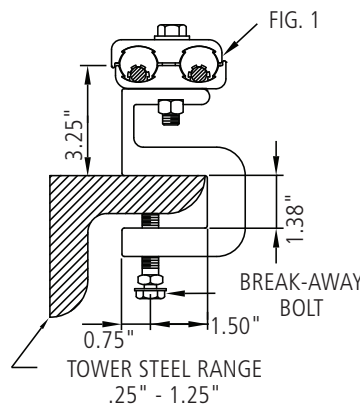
Download Clamp Adapters



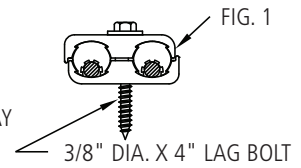
FDOA XXYYA
TYPE A ADAPTER
WITH FIGURE 2
BANDING CONFIGURATION
EST. WEIGHT: .96 LBS.



FDOA XXYYB
TYPE B ADAPTER
WITH FIGURE 1
LATTICE CONFIGURATION
EST. WEIGHT: 1.98 LBS.

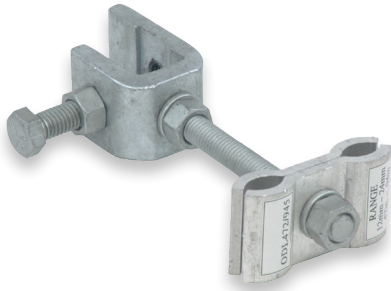


FDOA XXYYC
TYPE C ADAPTER
WITH FIGURE 1
LATTICE CONFIGURATION
EST. WEIGHT: 2.20 LBS.



FDOA XXYYD
TYPE D ADAPTER
WITH FIGURE 1
LATTICE CONFIGURATION
EST. WEIGHT: .96 LBS.

continued
→

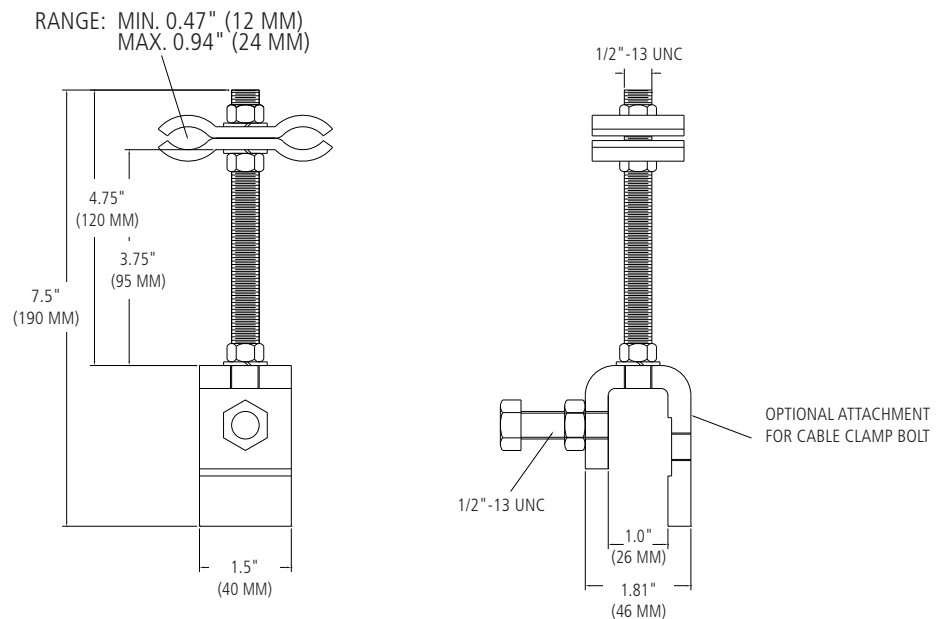


Download Clamps for OPGW

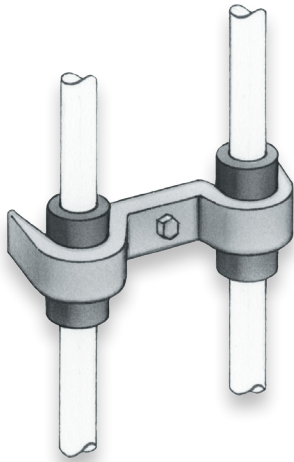
Download clamps are used to secure the OPGW fiber optic cable as it is trained down the pole or tower. AFL's download clamp incorporates a unique design feature that allows the clamp to cover a broad cable range. This feature reduces the customer's stocking requirements when dealing with numerous cable diameters. The clamp has four attachment options that provide the versatility needed when dealing with a variety of wood or steel poles and lattice towers. Normal spacing for download clamps is six to eight feet.

Ordering Information

AFL NO.	CABLE DIAMETER RANGE inches (mm)	
	MIN	MAX
ODL472/945	0.472 (12)	0.945 (24)



continued →



Wood Pole Clamp

Wood Pole Clamps for OPGW

Guide clamps are typically two groove clamps used to guide the cable to splice locations. Clamps are spaced 5 to 8 feet apart to help maintain alignment of the cable down the towers or poles. Not applicable to OGW series.

Features

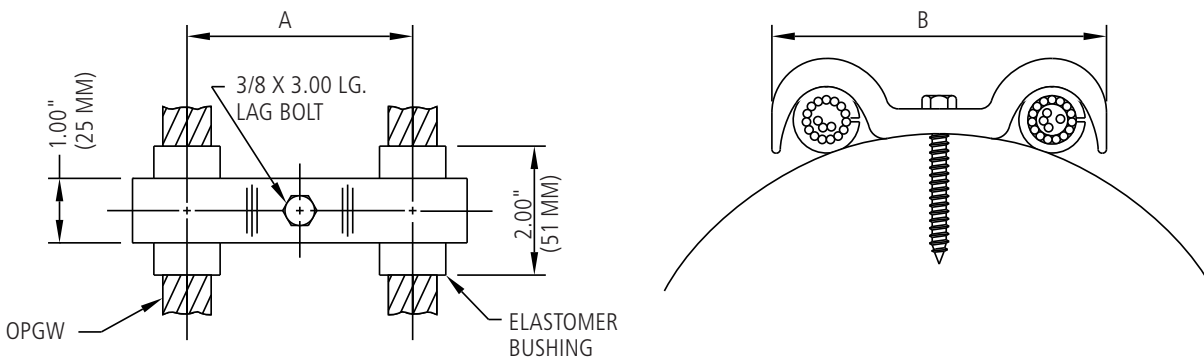
- Slip strength: >100 lbs.

Ordering Information – Wood Pole Clamp

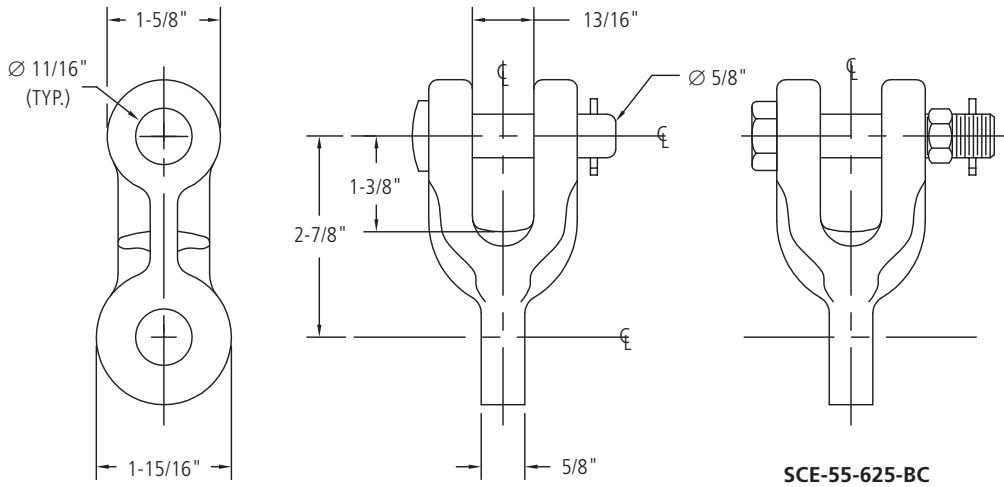
(Note: not available with metric hardware; 3/8" x 3" lag bolt included)

OPGW DIAMETER IN. (MM)	DIMENSIONS IN. (MM)		WEIGHT LBS. (KG)	AFL NO.
	A	B		
0.469 - 0.561 (11.9 - 14.2)	2.81 (71)	4.25 (108)	0.33 (0.15)	OGW469/561
0.562 - 0.655 (14.3 - 16.6)	3.50 (89)	5.19 (132)	0.46 (0.21)	OGW562/655
0.656 - 0.750 (16.7 - 19.1)	3.50 (89)	5.19 (132)	0.46 (0.21)	OGW656/750

Ordering Example: For AC-64/528 AlumaCore OPGW, the part number is OGW469/561.



Standard Clevis Eye



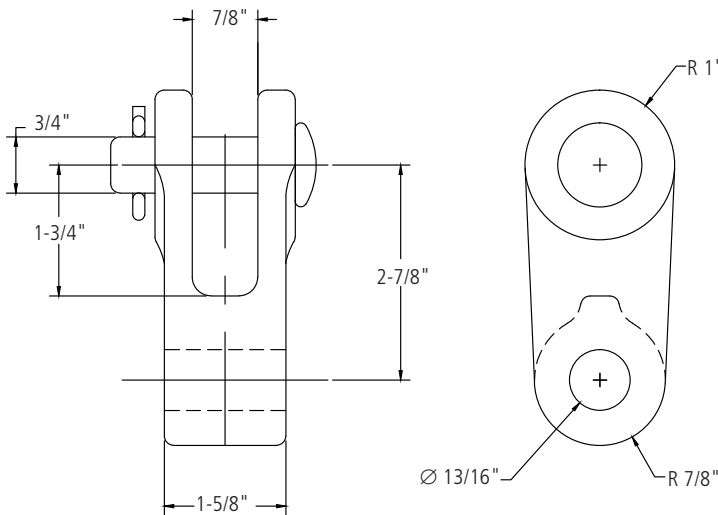
MATERIAL
Hot Dip Galvanized Ductile Iron

Ordering Information

AFL NO.	ULTIMATE STRENGTH (LBS.)	APPROX. WEIGHT EACH (LBS.)	APPLICATION
SCE-55-625	25,000	1.35	HIBUS Double Suspension

NOTE: For Bolt, Nut and Cotter instead of Clevis Pin and Cotter, add suffix "-BC" to AFL number.

Clevis Eye

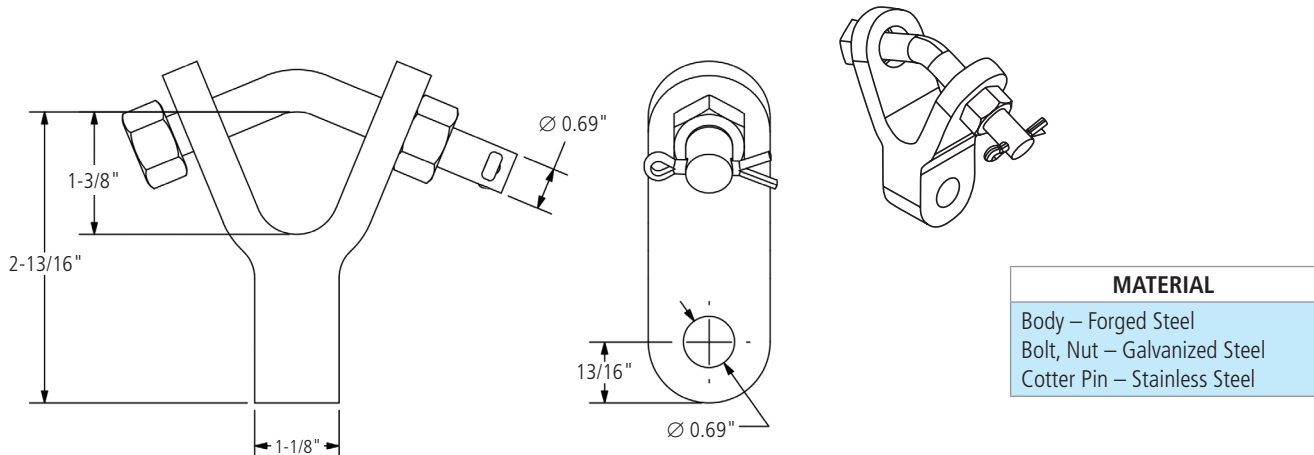


MATERIAL
Body – Ductile Iron
Pin – Galvanized Steel
Cotter Pin – Stainless Steel

Ordering Information

AFL NO.	ULTIMATE STRENGTH (LBS.)	APPROX. WEIGHT (LBS.)	APPLICATION
CE-SC	35,000	1.7	Mechanical Double Suspension

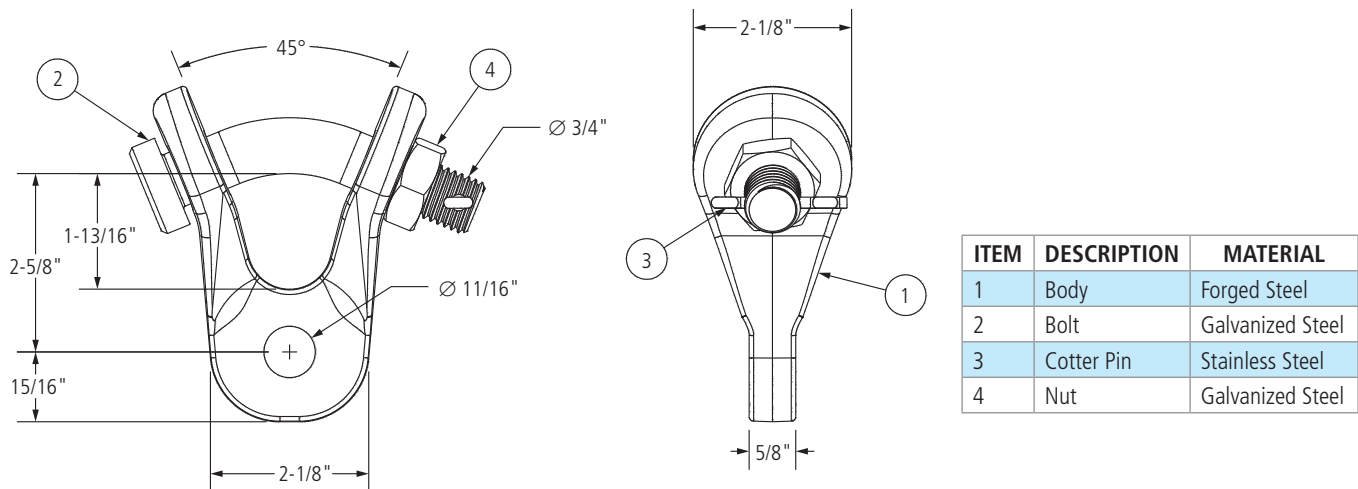
Y Clevis Eye



Ordering Information

AFL NO.	ULTIMATE STRENGTH (LBS.)	APPROX. WEIGHT (LBS.)	APPLICATION
YCE-690-1125	30,000	2.0	Mechanical Suspension (SUME)

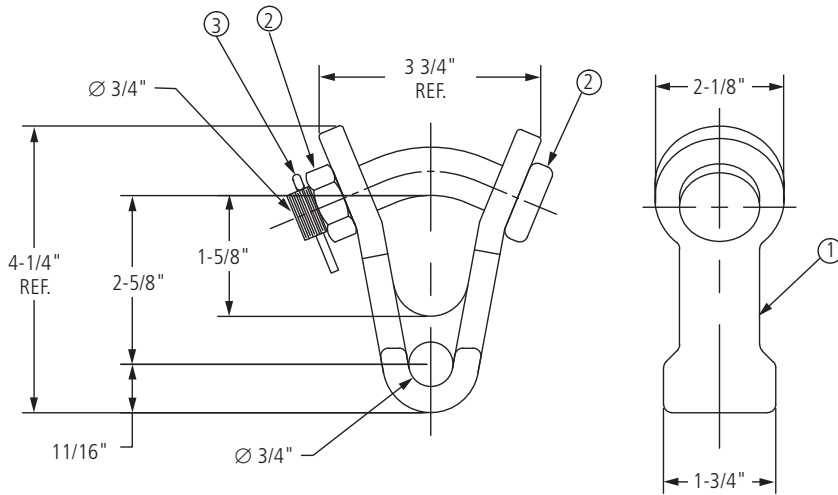
Y Clevis Eye 90°



Ordering Information

AFL NO.	ULTIMATE STRENGTH (LBS.)	APPROX. WEIGHT (LBS.)	APPLICATION
YC90E-688-625	30,000	2.2	HIBUS Suspension

Y Clevis Eye 90° (for Mechanical Suspensions)

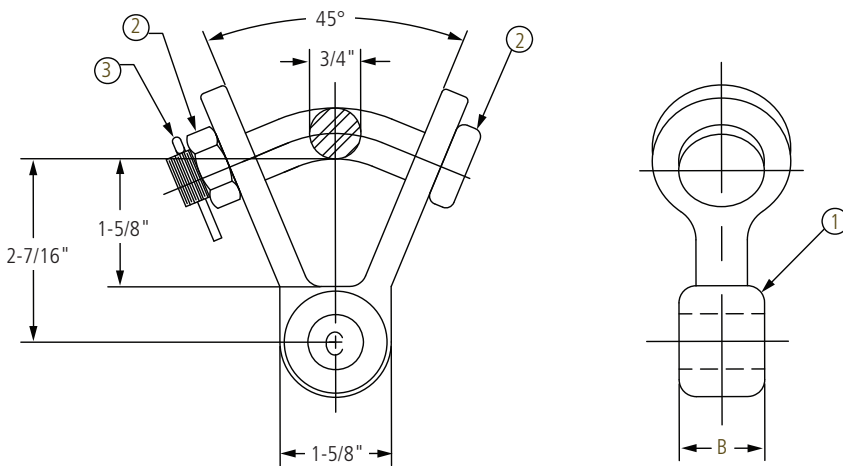


ITEM	DESCRIPTION	MATERIAL
1	Body	Forged Steel
2	Bolt, Nut	Galvanized Steel
3	Cotter Pin	Stainless Steel

Ordering Information

AFL NO.	ULTIMATE STRENGTH (LBS.)	APPROX. WEIGHT (LBS.)	APPLICATION
YC90E-750-1750	30,000	2.4	Mechanical Suspension (SUME)

Y Clevis Eye 90° (for Use with Formed Wire Suspension)



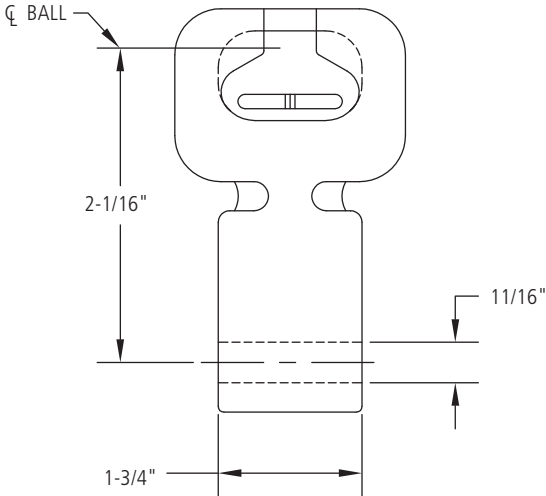
ITEM	DESCRIPTION	MATERIAL
1	Body	Forged Steel
2	Bolt, Nut	Galvanized Steel
3	Cotter Pin	Stainless Steel

Ordering Information

AFL NO.	CABLE DIAMETER RANGE		APPROX. DIMENSIONS In. (mm)		ULTIMATE STRENGTH (LBS.)	APPLICATION NOTES
	(In.)	(mm)	B	C		
YCE90FS354/458	0.354-0.458	9.0-11.6	5/8 (15.0)	11/16 (17.5)	15,000	Formed Wire Suspension
YCE90FS459/625	0.459-0.625	11.7-15.9	3/4 (19.1)	11/16 (17.5)	20,000	
YCE90FS626/1057	0.626-1.057	16.0-26.8	1 1/16 (27)	13/16 (20.6)	25,000	

NOTE: For use with formed wire hardware.

Socket Eye SC

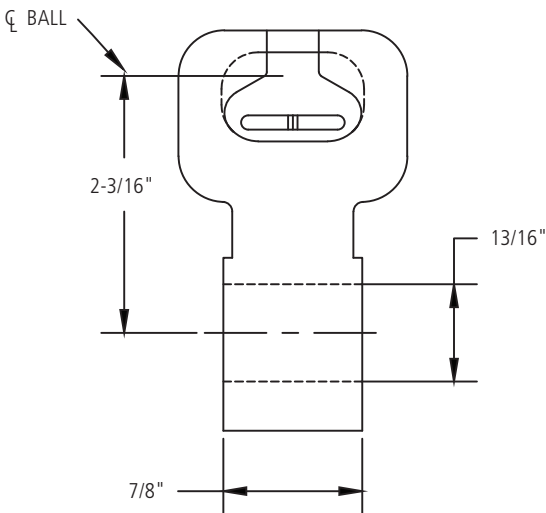


MATERIAL
Body, Clevis Bolt – Galvanized Steel
Cotter Pin – Stainless Steel

Ordering Information

AFL NO.	ULTIMATE STRENGTH (LBS.)	APPROX. WEIGHT EACH (LBS.)
SE-SC	30,000	1.80

Socket Eye BDE

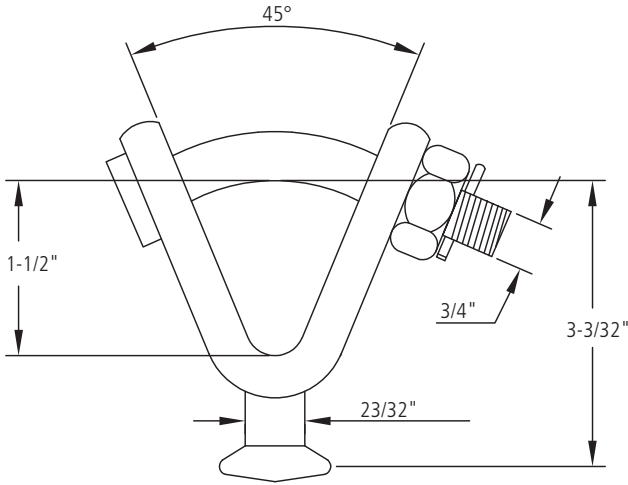


MATERIAL
Galvanized Ductile Iron

Ordering Information

AFL NO.	ULTIMATE STRENGTH (LBS.)	APPROX. WEIGHT EACH (LBS.)
SE-BDE	30,000	1.21

Ball Y Clevis

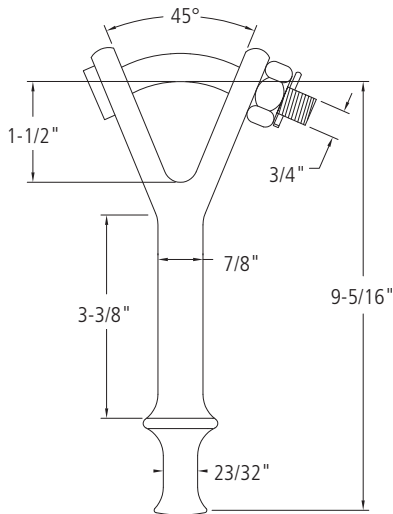


MATERIAL
Body, Clevis Bolt – Galvanized Steel Cotter Pin – Stainless Steel

Ordering Information

AFL NO.	ULTIMATE STRENGTH (LBS.)	APPROX. WEIGHT EACH (LBS.)
YCBS	30,000	1.90

Hot Line Y Clevis Ball

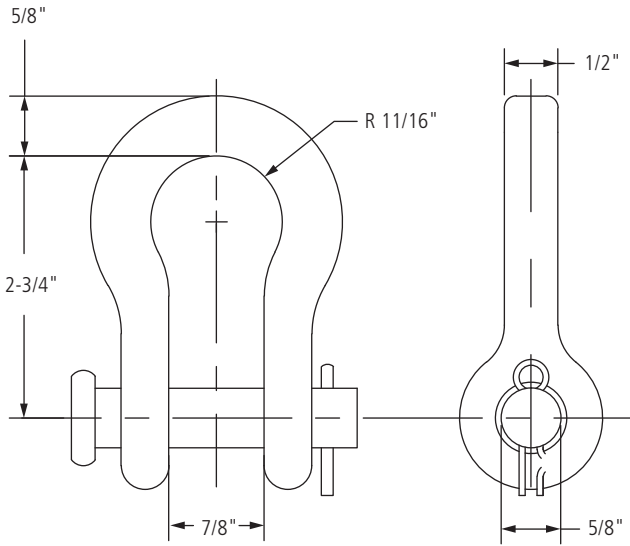


MATERIAL
Body, Clevis Bolt – Galvanized Steel Cotter Pin – Stainless Steel

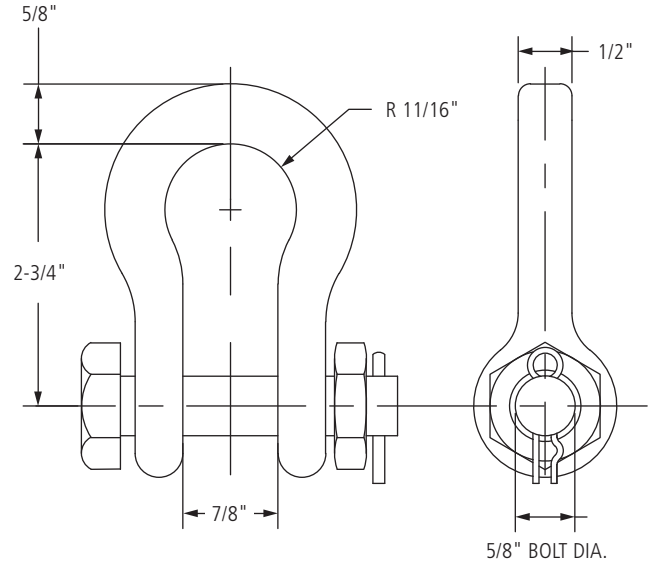
Ordering Information

AFL NO.	ULTIMATE STRENGTH (LBS.)	APPROX. WEIGHT EACH (LBS.)
YCBHL	30,000	2.80

Anchor Shackle 30L



Anchor Shackle 30L-BNC



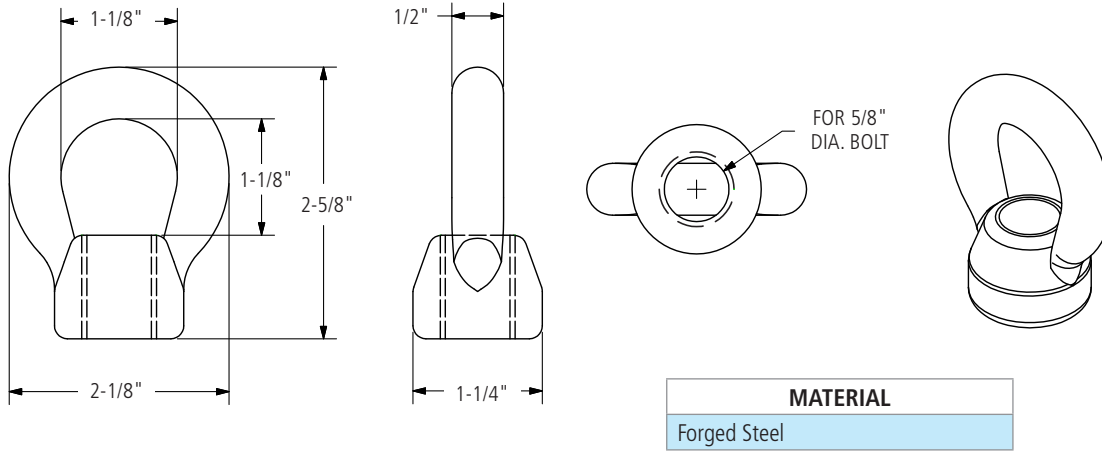
MATERIAL

Body – Forged Steel
 Bolt – Galvanized Steel
 Cotter Pin – Stainless Steel

Ordering Information

AFL NO.	ULTIMATE STRENGTH (LBS.)	APPROX. WEIGHT EACH (LBS.)
ANSH30L	30,000	1.1
ANSH30L-BNC	30,000	1.1

Oval Eye Nut

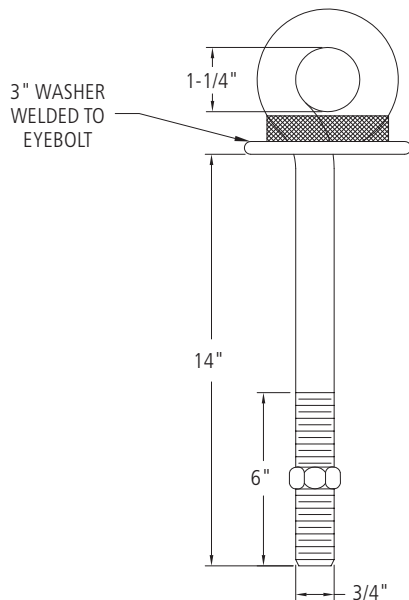


MATERIAL
Forged Steel

Ordering Information

AFL NO.	ULTIMATE STRENGTH (LBS.)	APPROX. WEIGHT EACH (LBS.)
PSM00221	12,400	0.46

Shoulder Eye Bolt

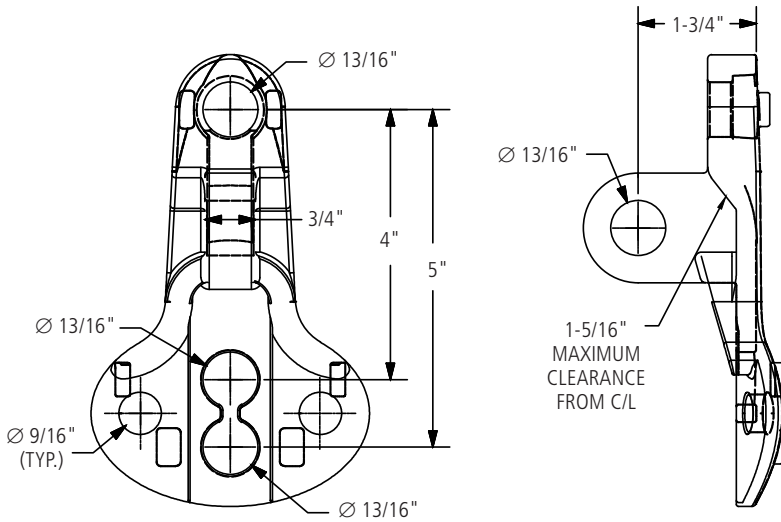


MATERIAL
Eyebolt – Galvanized Steel Nut – Stainless Steel

Ordering Information

AFL NO.	MINIMUM TENSILE STRENGTH (LBS.)	APPROX. WEIGHT PER 100 PIECES (LBS.)
SEB-3/4-14	18,350	320

Pole Eye Plate

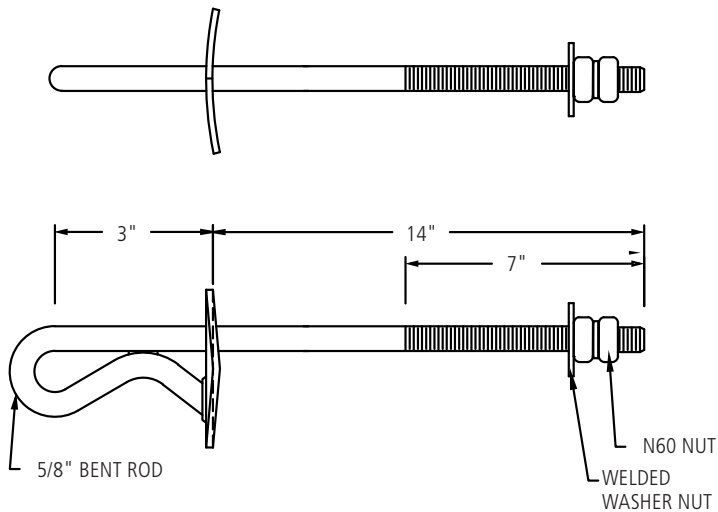


MATERIAL
Hot Dip Galvanized Ductile Iron

Ordering Information

AFL NO.	ULTIMATE STRENGTH (LBS.)	APPROX. WEIGHT EACH (LBS.)
EP1	21,000	2.2

Shield Wire Support

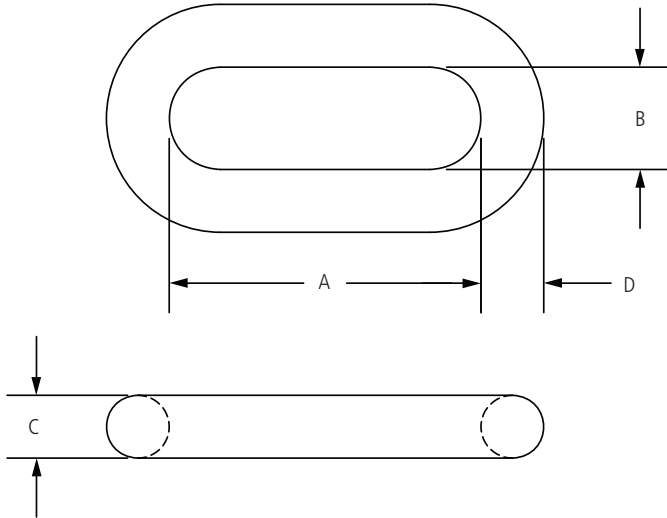


MATERIAL
Galvanized Steel

Ordering Information

AFL NO.	ULTIMATE STRENGTH (LBS.)	APPROX. WEIGHT PER BOX OF 4 PIECES (LBS.)
SFOSB-WP-14	5,000	2.50

Chain Link

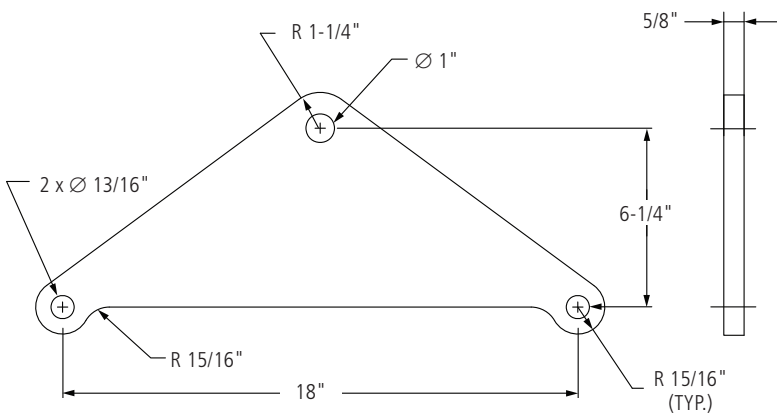


MATERIAL
Forged Steel

Ordering Information

AFL NO.	ULTIMATE STRENGTH (LBS.)	DIMENSIONS IN INCHES			
		A	B	C	D
CL-4	30,000	2-1/4	1	1/2	1/2
CL-5	40,000	3-1/4	1	5/8	5/8

Yoke Plate

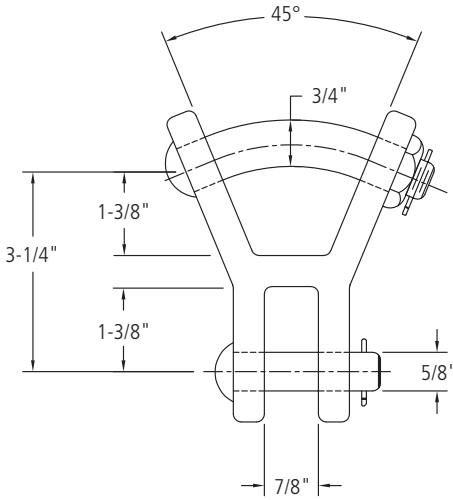


MATERIAL
Galvanized Steel

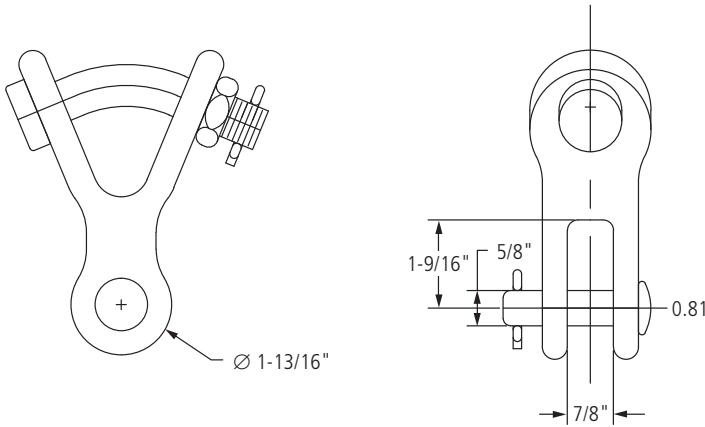
Ordering Information

AFL NO.	ULTIMATE STRENGTH (LBS.)	APPROX. WEIGHT EACH (LBS.)	APPLICATION
SUMEYP	40,000	14.8	Double Mechanical Suspension

Y Clevis Clevis



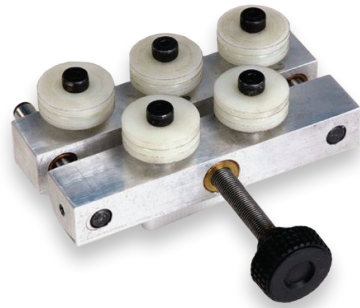
Y Clevis Clevis 90°



MATERIAL
Body – Galvanized Ductile Iron
Hardware – Galvanized Steel

Ordering Information

AFL NO.	ULTIMATE STRENGTH (LBS.)	APPROX. WEIGHT (LBS.)	APPLICATION
YCC	30,000	2.50	HIBUS Double Suspension and Mechanical Double Suspension
YCC-90	30,000	1.50	

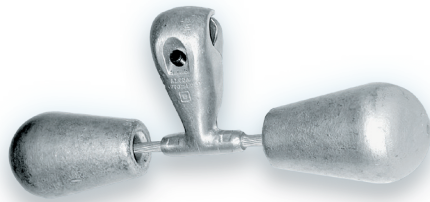


Stainless Steel Tube Straightening Tool

The Stainless Steel Tube Straightening Tool is used to straighten the stainless steel buffer tubes on stranded stainless steel tube OPGW cables.

Ordering Information

AFL NO.
SSTS



Vibration Damper

Vibration Dampers work to cancel damaging fatigue caused by wind-induced vibration. Most tuned damping devices operate best near their natural frequencies. AFL vibration dampers are designed for efficient transfer and dissipation of energy over a wide spectrum of frequencies. They feature all aluminum clamp construction to match expansion/contraction of conductor and break-away bolts for easy installation and proper torque.

Ordering Information

OPGW CABLE DIAMETER (inches)	AFL NO.
0.360 - 0.460	OVD360/460
0.461 - 0.570	OVD461/570
0.571 - 0.675	OVD571/675
0.676 - 0.770	OVD676/770
0.771 - 0.870	OVD771/870
0.871 - 0.970	OVD871/970

Ordering Example:

For AC-64/528 AlumaCore OPGW, the AFL number is OVD461/570

NOTES:

1. For metric hardware, add suffix "M" to item number.
2. Line evaluations and recommendations (including usage and placement) available upon request.
3. Installation instructions on page 135.
4. Vibration recommendation form on page 138.

OPGW Anti-Rotational Device

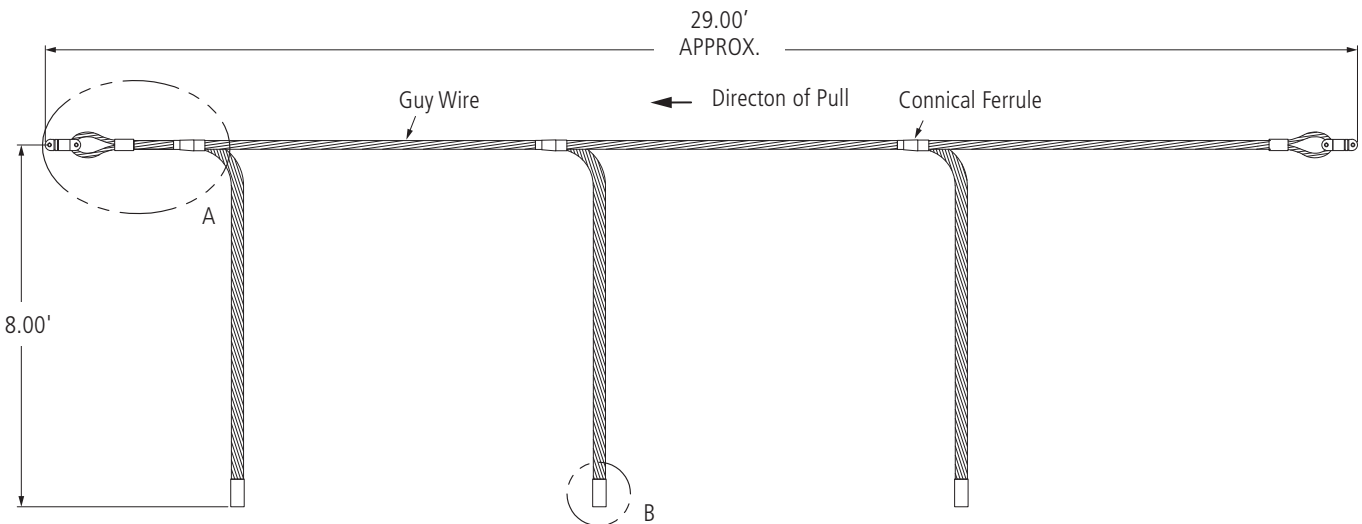
The Anti-Rotational Device provides a means of stringing fiber optic cable without introducing torsion stress. This unique concept prevents the cable from twisting as it travels over the pulling blocks. Left uncontrolled, the optical cable's delicate fibers could be permanently damaged during installation.

Ordering Information

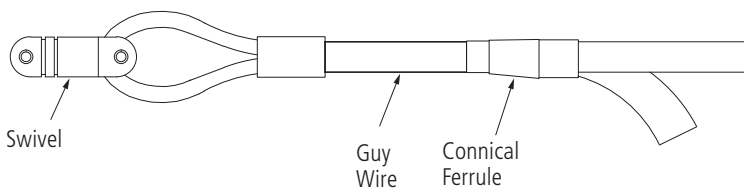
AFL NO.
ARD-OPGW-29

Notes

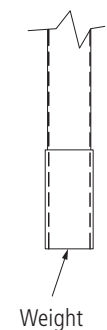
1. Make sure all hoses and guy grip fall in the direction of the pull.
2. Connical ferrules allow easy transition through sheave.
3. Estimated weight of attachment is 14 lbs. each.
4. Working load is 5,000 lbs.



DETAIL A



DETAIL B





26 kV Isolator Kit for OPGW

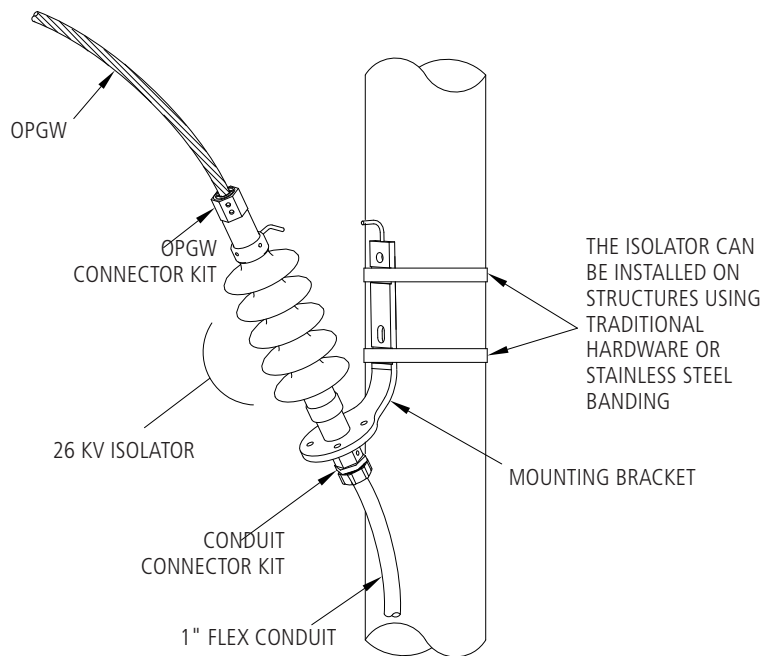
The 26 kV Isolator Kit is designed for aerial optical cable system applications in which complete electrical discontinuity is required. The isolator kit provides reliable interruption of electrical current, at voltages up to 26 kV and is a critical component of optical conductor and neutral systems, as well as optical ground-wire systems in which sectionalization of transient currents is required. The isolator can be installed on structures using traditional hardware or stainless steel banding.

Kit Includes

- OPGW Connector Kit
- 26 kV Isolator
- Conduit Connector Kit
- Mounting Bracket
- For use on AFL AlumaCore cables only

Specifications

PARAMETER	VALUE
Max. Voltage	26 kV
Weight	5 lbs. (approx.)

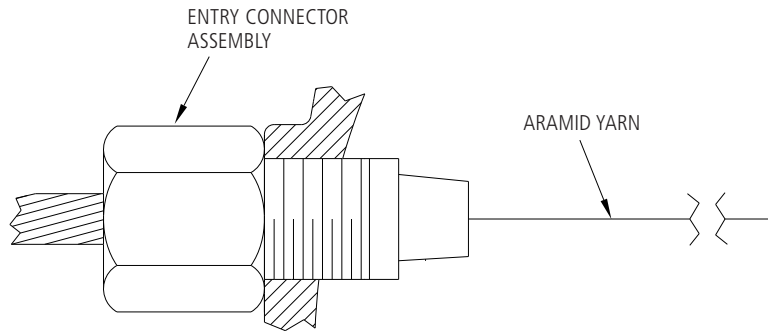
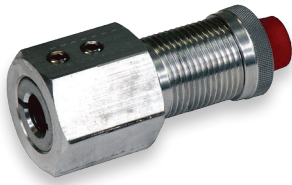


Ordering Information

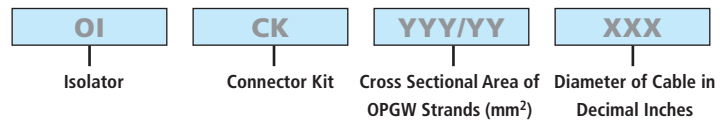
ISOL	P	XX/YY	ZZZ
Isolator	Blank = Standard Bracket (as shown) P = 90° Bracket for Routing Cable Parallel to Pole	Cross Sectional Area Aluminum Strands / AW Strands (mm ²)	Cable OD (Decimal Inches)

Ordering Example: ISOL47/53/680

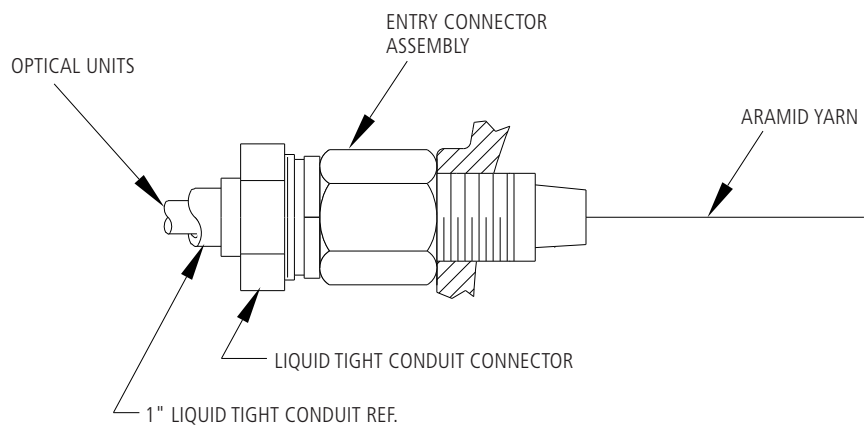
Connector Kit for Isolator



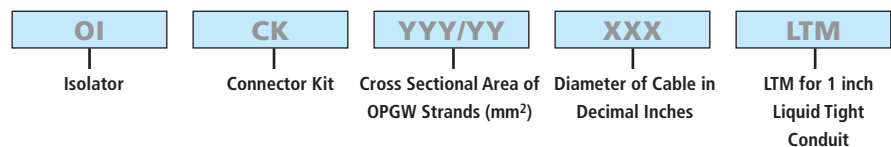
Ordering Information



Connector Kit for Isolator with Liquid Tight Conduit

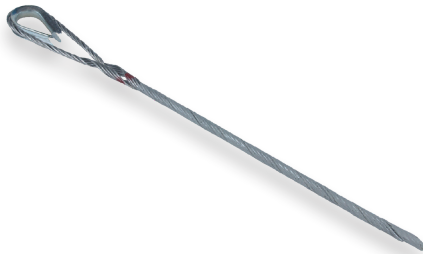


Ordering Information





ADESDFW2-256 and 307



ADELD2E-323T and 383T



ADELD2E-424005TE
* shown with optional thimble eye

Mini-Dead Ends

The Mini-Dead Ends are designed for fast and easy installation of your ADSS Mini-Span® cable. The Mini-Dead End is ideal in crowded distribution environments where its shorter length allows for efficient installation. This unique low-cost product is used in typical spans with 1%-2% installation sag.

Features

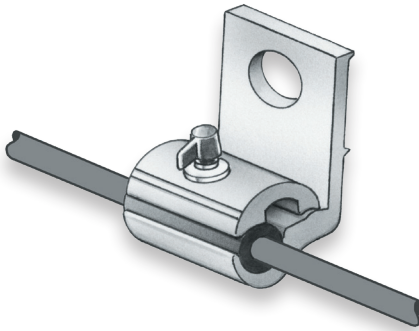
- Easy and quick installation
- No special tools or hardware required for installation
- Small, requiring less storage space

Ordering Information

APPLICATION & DESCRIPTION	AFL NO.
Aerial Drop 256 150 ft NESC heavy, 275 ft NESC medium, 550 ft NESC light	ADESDFW2-256
Aerial Drop 307—Short Span (250 lb max. tension) 65 ft NESC heavy, 115 ft NESC medium, 210 ft NESC light	ADESDFW2-307
Aerial Drop 307—Long Span 220 ft NESC heavy, 400 ft NESC medium, 675 ft NESC light	ADELD2E-013TE
ADSS Mini-Span 323 175 ft NESC heavy, 300 ft NESC medium, 500 ft NESC light	ADELD2E-323T
ADSS Mini-Span 383 180 ft NESC heavy, 300 ft NESC medium, 450 ft NESC light	ADELD2E-383T
ADSS Mini-Span 424 275 ft NESC heavy, 450 ft NESC medium, 600 ft NESC light	ADELD2E-424005

NOTE: Part numbers ADEW10J1-AL535, and ADEW16J1-AL693 attach to structure via common pole hardware sold separately such as thimble eye, ram's head, guy hooks, etc.

For spans greater than the span lengths above, contact Customer Service.



Mini-Bracket

Mini-Bracket

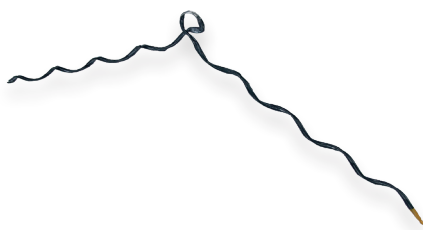
Mini Brackets are used for short and medium spans of ADSS fiber optic cable as well as Aerial Drop cables. Mini Brackets are sized to fit specific ADSS diameters. Standard Mini Brackets are employed with fitted bushings to provide a good support/groove fit and to prevent the support from damaging the cable. The bolted supports are supplied with aluminum captive bolts to simplify installation with no loose parts.

Features

- Maximum one side angle: 8.5 degrees
- Estimated weight: 2.9 lbs. (1.3 Kg)
- Maximum rated strength: 3,000 lbs.
- Hand tighten bolt to 25 in. lbs. (2.8 N-m)
- Slip load at 4 to 6% of RBS

Ordering Information

DESCRIPTION	AFL NO.
Aerial Drop 256 maximum line angle = 17° (150 ft NESC heavy, 275 ft NESC medium, 550 ft NESC light)	AMBB256
Aerial Drop 307 maximum line angle = 17° (220 ft NESC heavy, 400 ft NESC medium, 675 ft NESC light)	AMBB307
ADSS Mini-Span 424 maximum line angle = 17° (275 ft NESC heavy, 450 ft NESC medium, 600 ft NESC light)	AMBB424
ADSS Mini-Span 484 maximum line angle = 17° (275 ft NESC heavy, 400 ft NESC medium, 525 ft NESC light)	AMBB484-535
ADSS Mini-Span 535 maximum line angle = 17° (350 ft NESC heavy, 550 ft NESC medium, 675 ft NESC light)	AMBB484-535



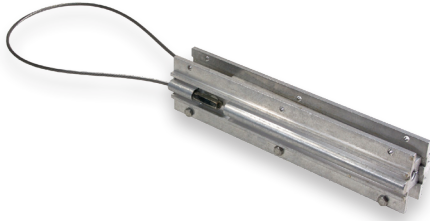
ATS 321/330
ATS 371/383

Mini Formed Wire Tangent Support (FTS)

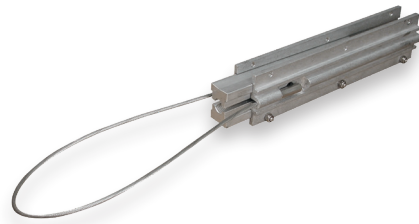
Formed Wire Tangent Supports (FTS) are used with ADSS Mini-Span® 323 and Mini-Span® 383 for short span applications. Tangent supports provide a method of attaching AFL's smallest ADSS Mini-Span designs with excellent unbalanced load capability and bend relief support. This product is designed to connect directly to J-hooks on wood poles for an economical solution.

Ordering Information

DESCRIPTION	AFL NO.
ADSS Mini-Span 323 maximum line angle = 20°(175 ft NESC heavy, 300 ft NESC medium, 500 ft NESC light)	ATS321/330
ADSS Mini-Span 383 maximum line angle = 20°(180 ft NESC heavy, 300 ft NESC medium, 450 ft NESC light)	ATS371/383



ADEW10J1-AL535



ADEW16J1-AL693

Wedge Dead End

(to be used only on Standard ADSS Cable up to 0.890" diameter, 144 fibers)

AFL offers wedge dead ends that ease and speed ADSS cable installation. The ADSS Wedge Dead End is ideal in crowded distribution environments because its shorter length allows for safer and efficient installation. The Wedge Dead End comes with all parts assembled. The side plates are properly aligned with spacers and self-locking hex bolts, as well as retainers. Lubricated wedges are pre-installed inside the body of the dead end.

Caution: The load ratings shown here are based on performance results of certain cable configurations and may not be representative of all manufacturers' ADSS cable designs. AFL strongly recommends that before using this product, you contact AFL to obtain the recommended load rating and to verify that the wedge dead end has been qualified for use with the proposed cable. AFL will perform a qualification test at no charge.

Specifications

PARAMETER	VALUE
Wedge Length	10" or 16" depending on cable characteristics
Cable O.D.	0.512" to 0.890" (13 mm to 22.6 mm)
Hold Strength	100% of Maximum Rated Cable Load (MRCL)
Maximum Attenuation Change	0.05 dB at 100% MRCL

Benefits

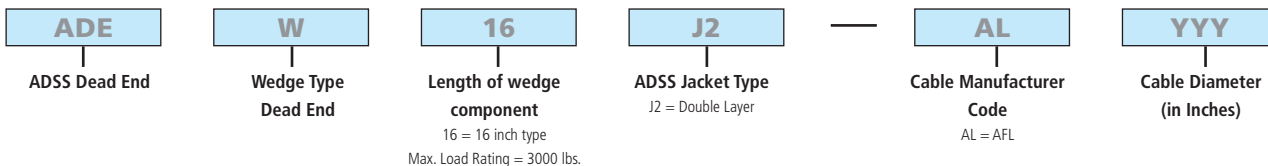
- Wedge-type design is safer than spiral wrap style dead ends
- Fewer parts, smaller and easier to store
- Attaches to structure via common pole hardware sold separately (thimble eye, ram's head, etc.)

Features

- Easier and faster installation
- Lower total system costs
- No special tools or hardware required for installation

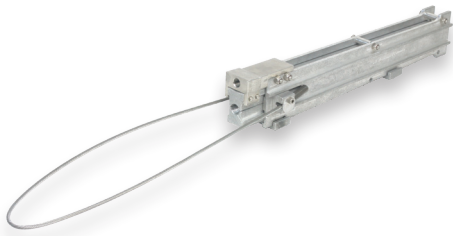
APPLICATION & DESCRIPTION	AFL NO.
ADSS Mini-Span® 535 500 ft NESC heavy, 700 ft NESC medium, 875 ft NESC light Maximum loading capability is 1500 lbs.	ADEW10J1-AL535
ADSS Mini-Span 693 500 ft NESC heavy, 600 ft NESC medium, 750 ft NESC light Maximum loading capability is 1500 lbs.	ADEW16J1-AL693

Ordering Information for Double Jacket Cables



Application Notes:

1. For use with ADSS cables with polyethylene jackets in low voltage environments only. Not for use in high voltage environments where tracking resistant cables are required.
2. AFL fiber optic cable and related hardware are designed to work as a system. Dead ends may not be available for cable from other manufacturers.



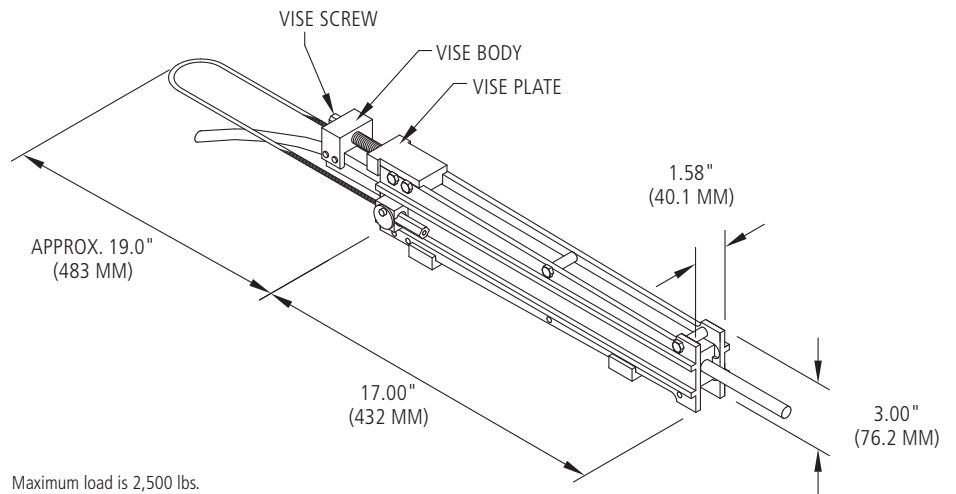
Temporary Grip

Temporary Grips are used in stringing the ADSS during sagging and where it is necessary to make short term catch on the ADSS.

The Temporary grip for ADSS is a high strength aluminum body designed to hold 2,500 pounds or 50% of MRCL of the cable.

Application Notes:

1. Mechanical Grip for Use with Polyethylene Outer Jackets Only



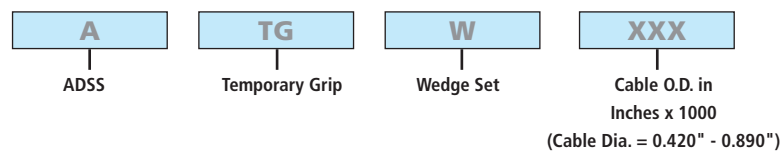
Maximum load is 2,500 lbs.

Thimble Clevis is included to attach temporary grip bail to chain hoist.

Ordering Information



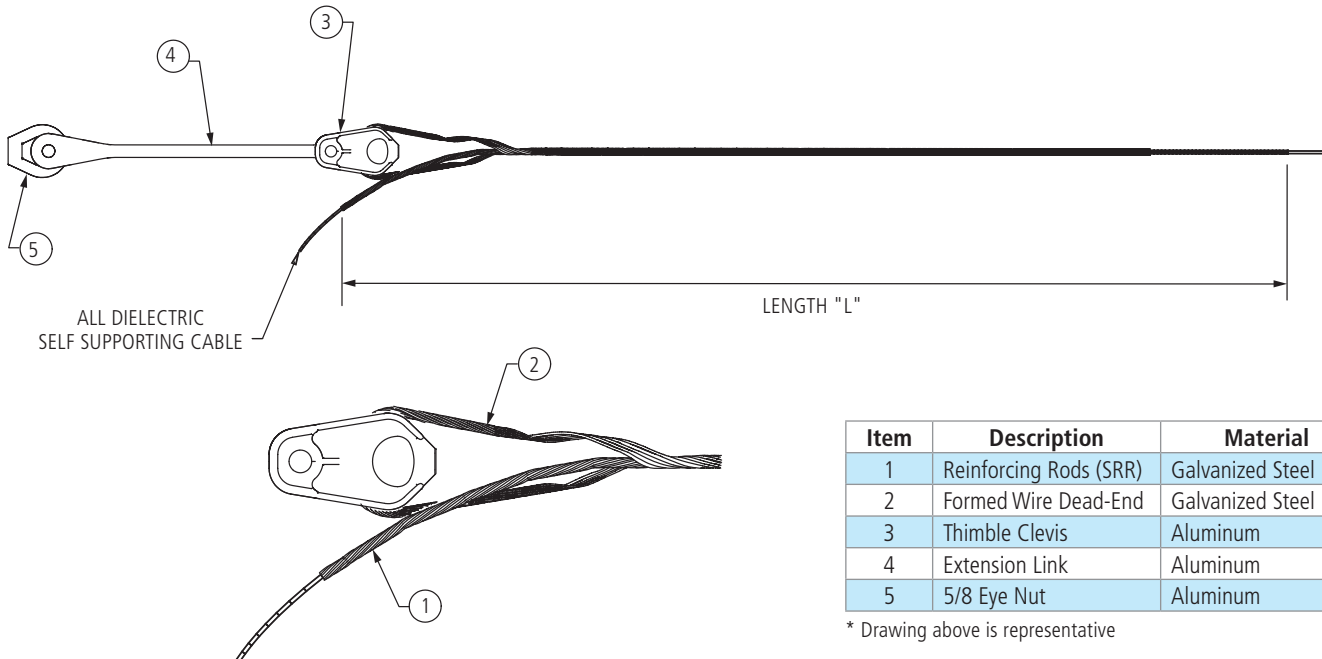
Ordering Information for Additional Wedges



CAUTION:

1. The Temporary Grip is only to be used for AFL's ADSS fiber optic cables with standard polyethylene jackets with the O.D. ranging from 0.420" - 0.890" .
2. For cables with an O.D. outside of this range, please contact AFL.

Limited Tension Formed Wire Dead End for ADSS Cable



Item	Description	Material
1	Reinforcing Rods (SRR)	Galvanized Steel
2	Formed Wire Dead-End	Galvanized Steel
3	Thimble Clevis	Aluminum
4	Extension Link	Aluminum
5	5/8 Eye Nut	Aluminum

* Drawing above is representative

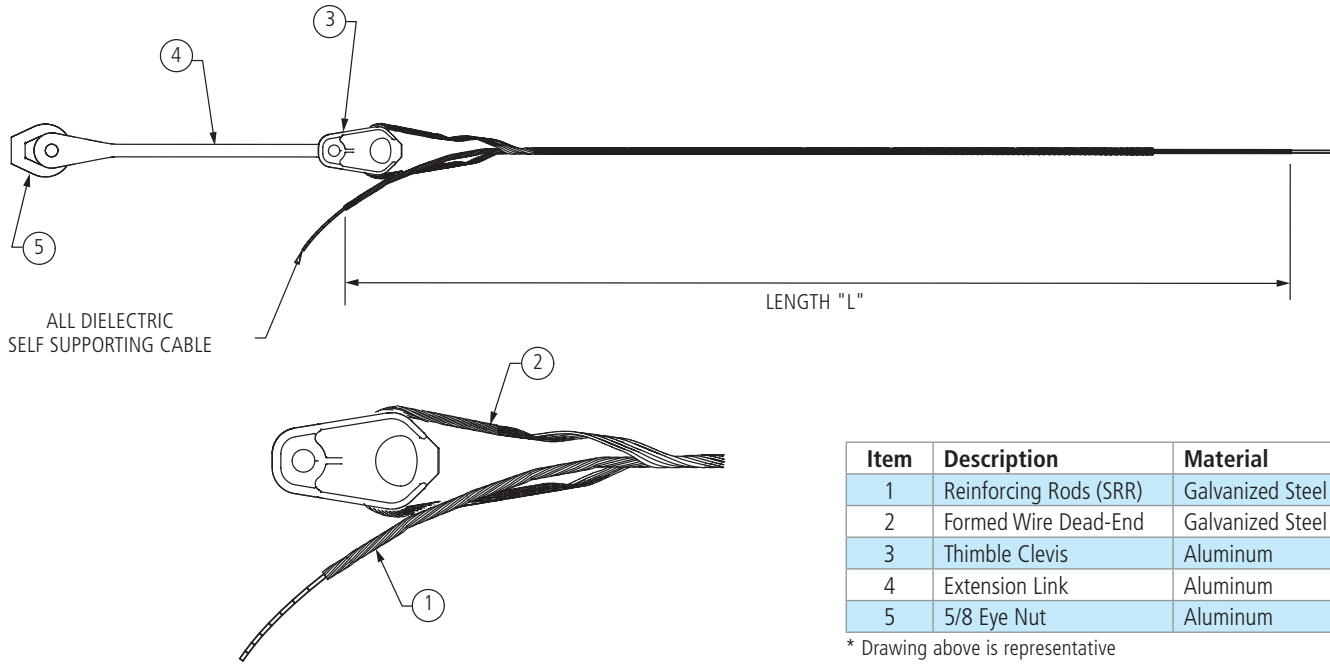
Features

- Components strength—6,500 lbs.
- Maximum initial tension—up to 1,000 lbs.
- Maximum loaded tension—up to 2,500 lbs.
- Dead end component may be reused once during initial installation
- Contact AFL for track-resistant ADSS application

Ordering Information

AFL NO.	CABLE OD (IN)	LENGTH "L" (IN)	COLOR CODE
ADESE380/400C	0.380 - 0.400	48	Red
ADESE400/424C	0.400 - 0.424	48	Black
ADESE425/451C	0.425 - 0.451	48	Yellow
ADESE452/481C	0.452 - 0.481	48	Green
ADESE482/510C	0.482 - 0.510	48	Orange
ADESE511/542C	0.511 - 0.542	48	Blue
ADESE543/577C	0.543 - 0.577	48	White
ADESE578/613C	0.578 - 0.613	48	Red
ADESE614/651C	0.614 - 0.651	48	Black
ADESE652/692C	0.652 - 0.692	48	Yellow
ADESE693/737C	0.693 - 0.737	48	Green
ADESE738/784C	0.738 - 0.784	48	Orange
ADESE785/834C	0.785 - 0.834	48	Blue
ADESE835/889C	0.835 - 0.889	48	White
ADESE890/945C	0.890 - 0.945	48	Red
ADESE946/1007C	0.946 - 1.007	48	Black
ADESE1008/1073C	1.008 - 1.073	60	Yellow
ADESE1074/1140C	1.074 - 1.140	60	Green
ADESE1141/1212C	1.141 - 1.212	60	Orange
ADESE1213/1288C	1.213 - 1.288	60	Blue

Medium Tension Dead End for ADSS Cable



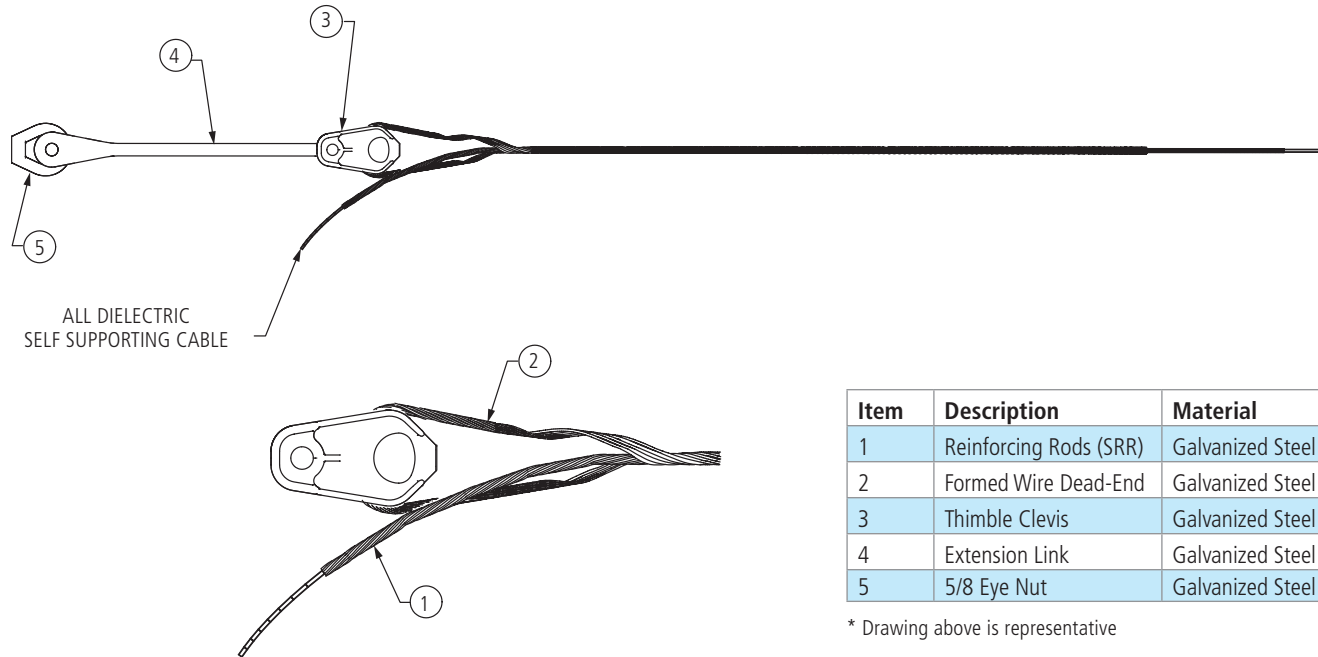
Features

- Component strength—6,500 lbs.
- Maximum initial tension—up to 2,000 lbs.
- Maximum loaded tension—up to 4,000 lbs.
- Dead end component may be reused once during initial installation
- Contact AFL for track-resistant ADSS application

Ordering Information

AFL NO.	CABLE OD (IN)	LENGTH "L" (IN)	COLOR CODE
ADEME482/510C	.482-.510	72	Orange
ADEME511/542C	.511-.542	73	Blue
ADEME543/577C	.543-.577	74	White
ADEME578/613C	.578-.613	78	Red
ADEME614/651C	.614-.651	80	Black
ADEME652/692C	.652-.692	80	Yellow
ADEME693/737C	.693-.737	82	Green
ADEME738/784C	.738-.784	88	Orange
ADEME785/834C	.785-.834	92	Blue
ADEME835/889C	.835-.889	94	White
ADEME890/945C	.890-.945	96	Red
ADEME946/1007C	.946-1.007	98	Black
ADEME1008/1073C	1.008-1.073	102	Purple
ADEME1074/1140C	1.074-1.140	102	Pink
ADEME1141/1212C	1.141-1.212	104	Brown
ADEME1213/1288C	1.213-1.288	107	Orange

Semi-High Tension Dead End for ADSS Cable



Item	Description	Material
1	Reinforcing Rods (SRR)	Galvanized Steel
2	Formed Wire Dead-End	Galvanized Steel
3	Thimble Clevis	Galvanized Steel
4	Extension Link	Galvanized Steel
5	5/8 Eye Nut	Galvanized Steel

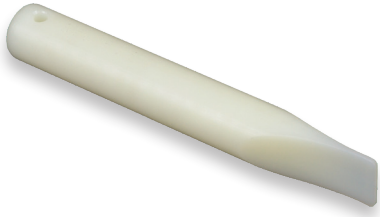
* Drawing above is representative

Features

- Components strength—15,000 lbs.
- Maximum initial tension—up to 4,000 lbs.
- Maximum loaded tension—up to 7,500 lbs.
- Dead end component may be reused once during initial installation
- Contact AFL for Length Information and track-resistant ADSS application
- Lengths range from 100" to 134"

Ordering Information

AFL NO.	CABLE OD (in.)	LENGTH "L" (in.)	COLOR CODE
ADELE482/510C	.482-.510	98	Orange
ADELE511/542C	.511-.542	98	Blue
ADELE543/577C	.543-.577	100	White
ADELE578/613C	.578-.613	104	Red
ADELE614/651C	.614-.651	106	Black
ADELE652/692C	.652-.692	106	Yellow
ADELE693/737C	.693-.737	108	Green
ADELE738/784C	.738-.784	113	Orange
ADELE785/834C	.785-.834	118	Blue
ADELE835/889C	.835-.889	119	White
ADELE890/945C	.890-.945	121	Red
ADELE946/1007C	.946-1.007	123	Black
ADELE1008/1073C	1.008-1.073	126	Purple
ADELE1074/1140C	1.074-1.140	127	Pink
ADELE1141/1212C	1.141-1.212	129	Brown
ADELE1213/1288C	1.213-1.288	133	Orange

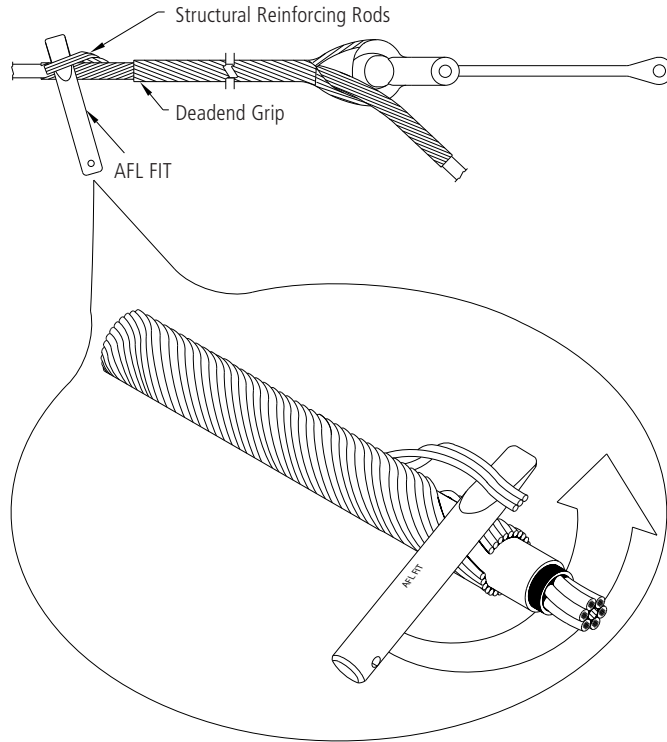


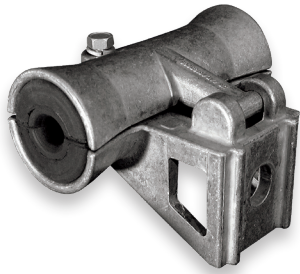
**AFL FIT
(Formed Wire Installation Tool)**

The nonmetallic AFL Fit Tool is used to install formed wire components without damaging the cable. Use of metal instruments to aid in the installation of formed wire components can result in cable damage.

Ordering Information:

AFL NO.
AFL-FIT





Single Trunnion Cable Support



Double Trunnion Cable Support (closed)



Double Trunnion Cable Support (open)

Trunnion Assemblies— Single and Double Cables

AFL offers trunnions with various mounting capabilities: bolted, banded or standoff. Trunnions reduce installation costs by functioning as a pull-through during installation (maximum line angle for stringing is 15° total, 7.5° per side, number of structures not to exceed 30). No block or pulley is needed provided these conditions are met.

Features

- May be used as a pull-through by removing the bushing inserts
- Double cable supports option
- High-strength aluminum
- Smaller and more compact design
- Facilitates faster installation
- Color-coded range taking inserts for easy identification
- Versatile mounting styles to fit different structure types: bolted, banded or standoff
- Banding and pole hardware supplied by customer
- Lowers the total cost of installation
- Span Length: 600 ft.—NESC Heavy
1,200 ft.—NESC Light

Ordering Information—Single Cable Support

AFL NO.	CABLE O.D. RANGE		ESTIMATED WEIGHT		BUSHING COLOR CODE
	INCHES	MILLIMETERS	LBS	KG	
ATGN325/375	0.325" - 0.375"	8.26 - 9.53	2.06	.934	Green + White
ATGN376/419	0.376" - 0.419"	9.55 - 10.64	2.06	.934	Orange + White
ATGN420/474	0.420" - 0.474"	10.67 - 12.05	2.05	.930	Purple + White
ATGN475/525	0.475" - 0.525"	12.07 - 13.34	2.05	.930	Blue
ATGN526/575	0.526" - 0.575"	13.36 - 14.61	2.05	.930	Orange
ATGN576/625	0.576" - 0.625"	14.63 - 15.88	2.04	.925	Brown
ATGN626/675	0.626" - 0.675"	15.90 - 17.15	2.04	.925	Green
ATGN676/725	0.676" - 0.725"	17.17 - 18.42	2.03	.921	White
ATGN726/775	0.726" - 0.775"	18.44 - 19.69	2.03	.921	Red
ATGN776/825	0.776" - 0.825"	19.71 - 20.96	2.02	.916	Purple
ATGN826/875	0.826" - 0.875"	20.98 - 22.23	2.02	.916	Yellow
ATGN876/925	0.876" - 0.925"	22.25 - 23.50	2.02	.916	Pink
ATGN926/959	0.926" - 0.959"	23.52 - 24.36	2.02	.916	Blue + White
ATGN960/1045	0.960" - 1.045"	24.38 - 26.54	2.02	.916	Gray

Application Notes:

1. For use with ADSS cables with polyethylene jackets in low voltage environments only. Not for use in high voltage environments where tracking resistant cables are required.
2. As a stringing block:
Maximum line angle = 15° (7.5° per side)
Maximum number of structures = 30
3. For final installation:
Maximum line angle = 22° (11° per side)

continued
→

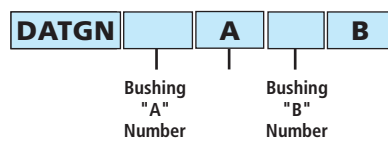
Trunnion Assemblies (cont.)

Ordering Information—Double Tangent Support

BUSHING NUMBER		CABLE O.D. RANGE		BUSHING COLOR CODE	MAXIMUM SPAN CAPABILITIES USING NESC LOADS IN FEET/METERS	ESTIMATED WEIGHT	
"A"	"B"	INCHES	MM			HEAVY	LBS
325	325	.325-.375	8.26-9.53	Green + White	600/182.9	4.00	1.814
376	376	.376-.419	9.55-10.64	Orange + White	600/182.9	4.00	1.814
420	420	.420-.474	10.67-12.04	Purple + White	600/182.9	3.99	1.810
475	475	.475-.525	12.07-13.34	Blue	600/182.9	3.99	1.810
526	526	.526-.575	13.36-14.61	Orange	600/182.9	3.99	1.810
576	576	.576-.625	14.63-15.88	Brown	600/182.9	3.98	1.805
626	626	.626-.675	15.90-17.15	Green	600/182.9	3.98	1.805
676	676	.676-.725	17.17-18.42	White	600/182.9	3.97	1.801
726	726	.726-.775	18.44-19.69	Red	600/182.9	3.97	1.801
776	776	.776-.825	19.71-20.96	Purple	600/182.9	3.96	1.796
826	826	.826-.875	20.98-22.23	Yellow	600/182.9	3.96	1.796
876	876	.876-.925	22.25-23.50	Pink	500/152.4	3.96	1.796
926	926	.926-.959	23.52-24.36	Blue + White	CONTACT AFL	3.96	1.796
960	960	.960-1.045	24.38-26.54	Gray	CONTACT AFL	3.96	1.796

How to Order

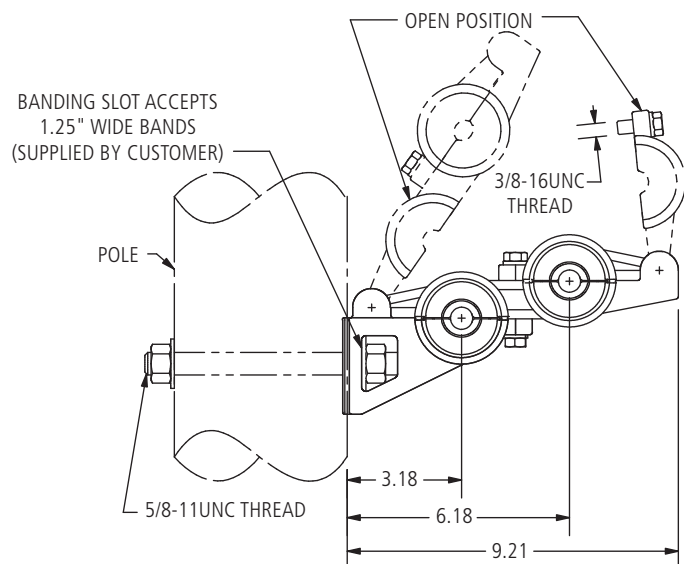
Order by assembling part number as shown:

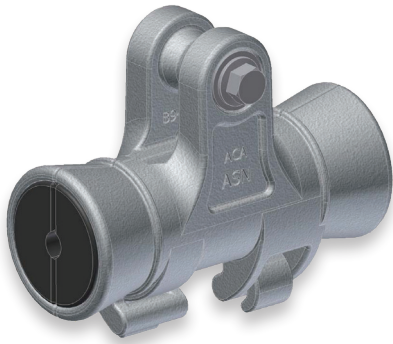


- Reference table above. See Note 1 below.
- Example:
 - First cable 0.500" OD → Bushing "A" number = 475
 - Second cable 0.750" OD → Bushing "B" number = 726
 - Order by part number: DATGN475A726B

Notes:

1. Bushing "A" and "B" may be the same or different.
2. Attachment hardware or stainless steel banding to be supplied by customer.





Correct orientation of bushing shown above.

Application Note:

1. For use with ADSS cables with polyethylene jackets in low voltage environments only. Not for use in high voltage environments where tracking resistant cables are required.

ADSS Suspension Unit

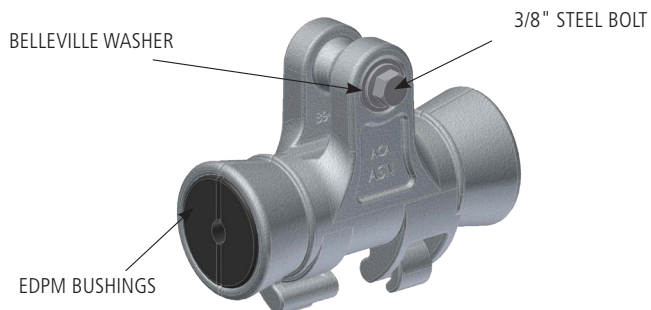
AFL's ADSS suspension unit is used to provide long term performance for spans up to 1200 feet (see span rating below). The interlocking halves of the aluminum body clamp provides positive alignment and utilize our proven EDPM bushings to gently grip the cable. The 3/8" mounting bolt is held captive by an o-ring. This product cannot be used as a stringing device.

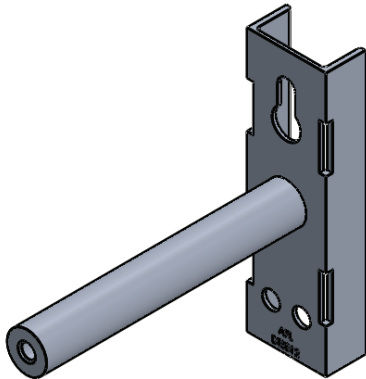
Specifications

PARAMETER	VALUE
Span Length Rating	600 feet (200 meters) NESC Heavy 900 feet (274 meters) NESC Medium 1200 feet (365 meters) NESC Light
Vertical Load Rating	5000 lbs
Torque Requirement	Mounting bolt should be tightened to 25 ft-lb
Mounting Hardware	5/8" oval eye nut and anchor shackle (both parts not shown) can be included in the assembly by adding the suffix "AS01" to the part number
Line Angle	Max line angle is 30 degrees
Cable Types Recommended	For use on standard polyethylene jackets only DO NOT USE on track resistant cables
Slip Strength	Contact AFL for specific slip strength requirements

Ordering Information

AFL NO.	CABLE RANGE		WEIGHT		BUSHING COLOR CODE
	INCHES	MM	LBS	KG	
ASN325/375	0.325-0.375	8.3-9.5	2.2	1.0	Green + White
ASN376/419	0.376-0.419	9.6-10.6			Orange + White
ASN420/474	0.420 - 0.474	10.7 - 12.0			Purple + White
ASN475/525	0.475 - 0.525	12.1 - 13.3			Blue
ASN526/575	0.526 - 0.575	13.4 - 14.6			Orange
ASN576/625	0.576 - 0.625	14.6 - 15.9			Brown
ASN626/675	0.626 - 0.675	15.9 - 17.1			Green
ASN676/725	0.676 - 0.725	17.2 - 18.4			White
ASN726/775	0.726 - 0.775	18.4 - 19.7			Red
ASN776/825	0.776 - 0.825	19.7 - 21.0			Purple
ASN826/875	0.826 - 0.875	21.0 - 22.2			Yellow
ASN876/925	0.876 - 0.925	22.3 - 23.5			Pink
ASN926/959	0.926 - 0.959	23.5 - 24.4			—
ASN960/1045	0.960 - 0.1045	24.4 - 26.5			Gray





Standoff Bracket for ADSS Hardware Clamps

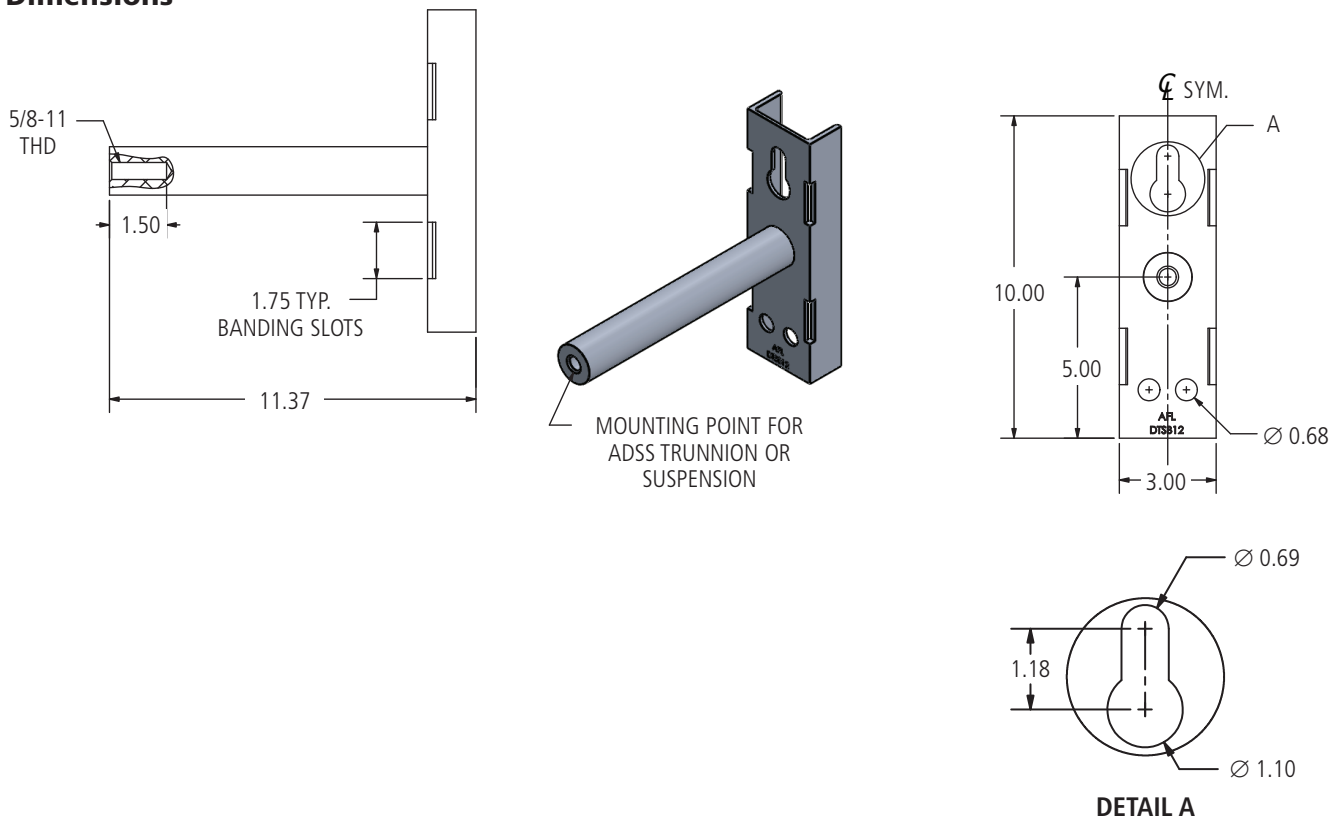
Features

- Aluminum material
- Positions the AFL ADSS trunnion or AFL ADSS suspension 14" off of structure
- Vertical load rating 1,250 lbs, horizontal load rating 1,250 lbs
- Attachment hardware supplied by customer
- Recommended hardware:
 - ATGN trunnion attachment to bracket:
 - 5/8-11 x 1-1/2" long hex head bolt
 - ASN suspension attachment to bracket:
 - 5/8-11 eyebolt and anchor shackle
 - Standoff bracket attachment to structure:
 - 5/8 bolt in top attachment hole
 - 1/2 or 5/8 lag screw in bottom hole(s)
 - 1-1/2 or 1-5/8 banding through both top and bottom banding slots

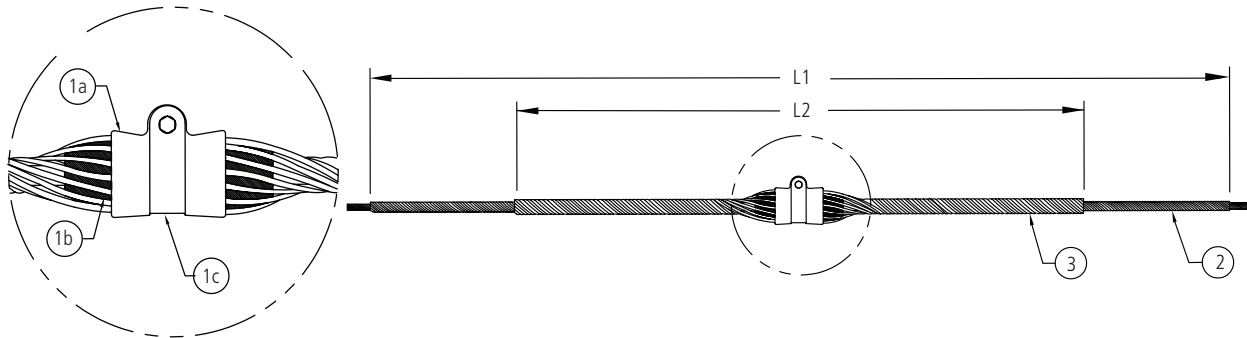
Ordering Information

AFL NO.	DESCRIPTION	WEIGHT
DTSB12	14" Standoff Bracket for AFL's ATGN Trunnion Clamp or ASN Suspension Clamp for use with ADSS Fiber Optic Cable	2.5 lbs.

Dimensions



Formed Wire Suspension for ADSS Cable



Features

- For line or elevation angle changes less than 30°
- Max vertical load—20,000 lbs.

Item	Description	Material
1a,c	Suspension Housing	Aluminum Alloy
1b	Insert (2 Halves)	Elastomer
2	Reinforcing Rods (SRR)	Aluminum Alloy
3	Outer Support Rods	Aluminum Alloy

Ordering Information

CABLE O.D. RANGE	STRUCTURAL REINFORCEMENT RODS				OUTER RODS				AFL NO.
	LENGTH "L1" (INCHES)	ROD DIA. (INCHES)	RODS PER SET	COLOR CODE	LENGTH "L2" (INCHES)	ROD DIA. (INCHES)	RODS PER SET	COLOR CODE	
0.399" - 0.418"	80	.146	10	Yellow	42	.204	11	Yellow	ASU399/418
0.419" - 0.439"	80	.146	10	Black	42	.204	11	Black	ASU419/439
0.440" - 0.458"	81	.146	11	White	43	.204	11	White	ASU440/458
0.459" - 0.461"	84	.167	10	Purple	46	.250	10	Orange	ASU459/461
0.462" - 0.476"	84	.167	10	Purple	46	.250	10	Purple	ASU462/476
0.477" - 0.503"	84	.146	12	Orange	46	.250	10	Orange	ASU477/503
0.504" - 0.511"	84	.146	12	Red	46	.250	10	Purple	ASU504/511
0.512" - 0.536"	87	.167	11	Blue	49	.250	11	Blue	ASU512/536
0.537" - 0.559"	87	.167	11	Green	49	.250	11	Green	ASU537/559
0.560" - 0.565"	87	.167	11	Green	49	.250	11	Green	ASU560/565
0.566" - 0.573"	92	.182	11	Black	54	.250	12	Black	ASU566/573
0.574" - 0.598"	92	.182	11	Black	54	.250	12	White	ASU574/598
0.599" - 0.625"	92	.182	12	Brown	54	.310	12	Brown	ASU599/625
0.626" - 0.632"	102	.204	11	Red	63	.310	11	Red	ASU626/632
0.633" - 0.666"	102	.204	11	Red	63	.310	11	Blue	ASU633/666
0.667" - 0.682"	102	.204	12	Yellow	63	.310	11	Green	ASU667/682
0.683" - 0.710"	102	.204	12	Yellow	63	.310	11	Yellow	ASU683/710
0.711" - 0.728"	102	.204	12	White	63	.310	12	Black	ASU711/728
0.729" - 0.744"	102	.204	12	White	63	.310	12	White	ASU729/744
0.745" - 0.750"	102	.204	12	White	63	.310	12	White	ASU745/750
0.751" - 0.786"	102	.204	13	White	63	.310	12	Brown	ASU751/786
0.787" - 0.814"	111	.250	11	Green	72	.365	11	Green	ASU787/814
0.815" - 0.845"	111	.250	12	Yellow	72	.365	11	Yellow	ASU815/845
0.846" - 0.855"	111	.250	12	Green	72	.365	12	Blue	ASU846/855
0.856" - 0.894"	119	.250	12	Black	80	.365	12	Black	ASU856/894
0.895" - 0.907"	119	.250	12	White	80	.365	12	White	ASU895/907
0.908" - 0.916"	119	.250	13	Purple	80	.365	12	Purple	ASU908/916
0.917" - 0.929"	119	.250	13	Brown	80	.365	12	Brown	ASU917/929
0.930" - 0.942"	119	.250	13	Red	80	.365	12	Red	ASU930/942
0.943" - 0.977"	119	.250	13	Orange	80	.365	13	Orange	ASU943/977



Download Clamp shown with Adapter B

Download Clamp for ADSS (with or without Unequal Diameters)

AFL Download Clamps are used to guide ADSS wire from the top of the structure to the splice box. Our clamps install easily and provide proper spacing and hold strength without damage to the cable. From poles to towers, we offer a full line of ADSS Download Clamps to meet the needs of any application.

Features

- Slip strength: >100 lbs.
- Lattice adapters provided with break-away bolts for precise torque during installation
- Steel tower guide clamps available with adapters to eliminate the need for drilling
- Banding adapters available

Ordering Information – Download Clamp and Adapter

BUSHING DESIGNATION	DIAMETER (INCHES)	COLOR CODE
B4	0.350 - 0.500	red
B5	0.501 - 0.600	green
B6	0.601 - 0.700	yellow
B7	0.701 - 0.800	blue
B8	0.801 - 0.900	white
B9	0.901 - 1.000	black
B10	1.001 - 1.100	orange

FD	OA	XX	YY	Z	M
Fiber Download	OPGW and ADSS	Bushing Designation (Smaller Dia.)	Bushing Designation (Larger Dia.)	Indicates Adapters A = Banding Adapter B = Lattice Adapter for web thickness 0.25" - 0.72" C = Lattice Adapter for web thickness 0.72" - 1.25" D = 3/8" diameter x 4" lag bolt E = Lattice Adapter for web thickness 0.25" - 1.25" Omit = No adapter desired	M for Metric Hardware

Ordering Example

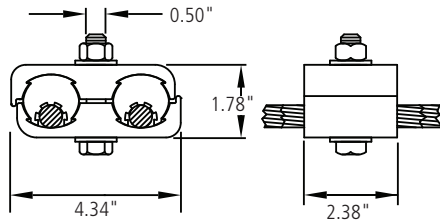
For 0.528" dia. OPGW and 0.484 ADSS with pole banding (Type A), the part number is FDOA-B4B5A.

- NOTES:**
1. If metric hardware is desired, add a "M" suffix to the end.
 2. See next page for optional download clamp adapters.

Download Clamp and Optional Download Clamp Adapters

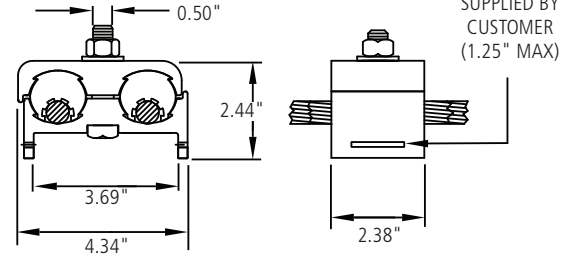
Dimensions

FIG. 1

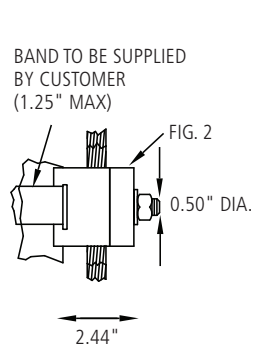


FDOA XXYY
NO ADAPTER

FIG. 2

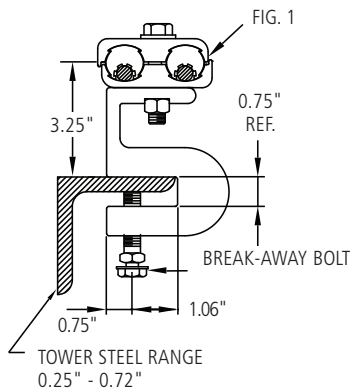


Download Clamp Adapters



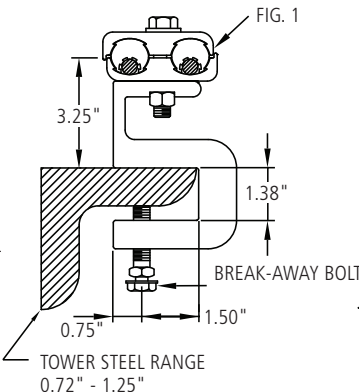
FDOA XXYYA

TYPE A ADAPTER WITH FIG. 2 BANDING CONFIGURATION
EST. WEIGHT: 0.96 LBS.



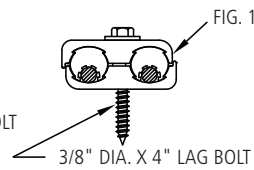
FDOA XXYYB

TYPE B ADAPTER WITH FIG. 1 LATTICE CONFIGURATION
EST. WEIGHT: 1.98 LBS.



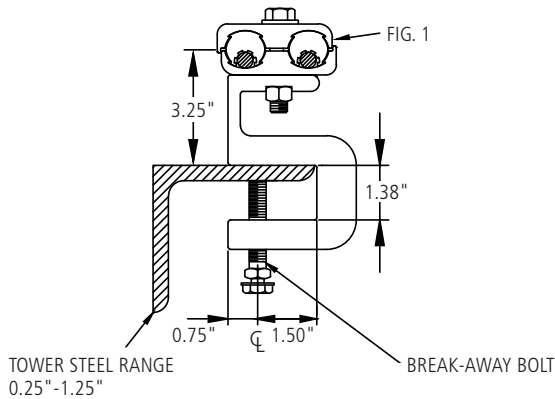
FDOA XXYYC

TYPE C ADAPTER WITH FIG. 1 LATTICE CONFIGURATION
EST. WEIGHT: 2.20 LBS.



FDOA XXYYD

TYPE D ADAPTER WITH FIG. 1 LATTICE CONFIGURATION
EST. WEIGHT: 0.96 LBS.

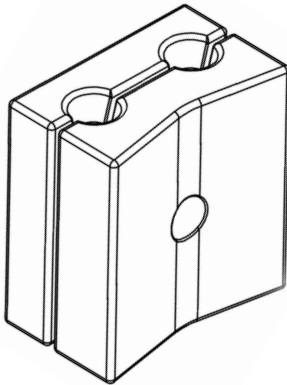


FDOA XXYYE

TYPE E ADAPTER WITH FIG. 1 LATTICE CONFIGURATION
EST. WEIGHT: 2.20 LBS.



AGC Series ADSS Downlead Clamp with galvanized steel hardware



AGC Series ADSS Downlead Clamp

AFL's AGC Series Downlead Clamps are used to guide ADSS Fiber Optic Cable from the top of the structure to the splice location. Our clamps install easily and provide proper spacing and hold strength without damage to the cable. From poles to towers, we offer a full line of ADSS Downlead Clamps to meet the needs of any application.

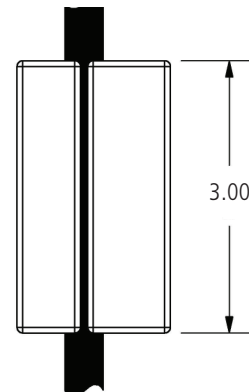
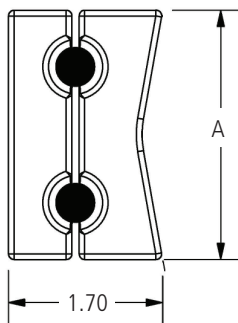
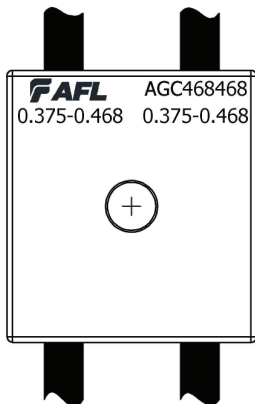
Features

- Compressive elastomer material protects cable jacket
- Galvanized lag screw, square curved washer and standard round washers included

Ordering Information

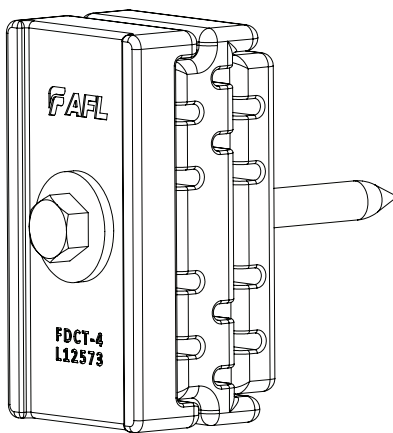
AFL NO.	GROOVE CODE	CABLE DIAMETER (INCHES)		DIMENSIONS (INCHES)
		MIN.	MAX.	A
AGC468468D	468	0.375	0.468	2.75
AGC562562D	562	0.469	0.562	2.75
AGC656656D	656	0.563	0.656	2.75
AGC750750D	750	0.657	0.750	2.75
AGC849849D	849	0.751	0.849	3.00
AGC948948D	948	0.850	0.948	3.00
AGC105105D	105	0.949	1.050	3.00

Note: Alternative configurations are available. Please contact AFL for additional information.

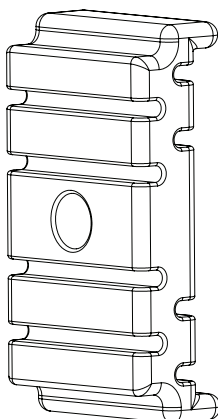




FDCT-4D



FDCT-12D



FDCT-5-12

Adapter may be ordered separately for increase in flat drop count

FDCT Series Flat Drop Cable Tangent/Download

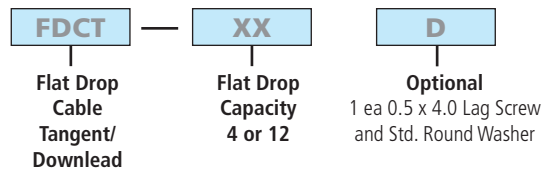
The Flat Drop Cable Tangent accessory provides a means of suspending the flat drop cable to structures where termination is undesirable. The accessory can also be used in download applications to guide flat drop cables from the top of the structure to the splice box.

Features

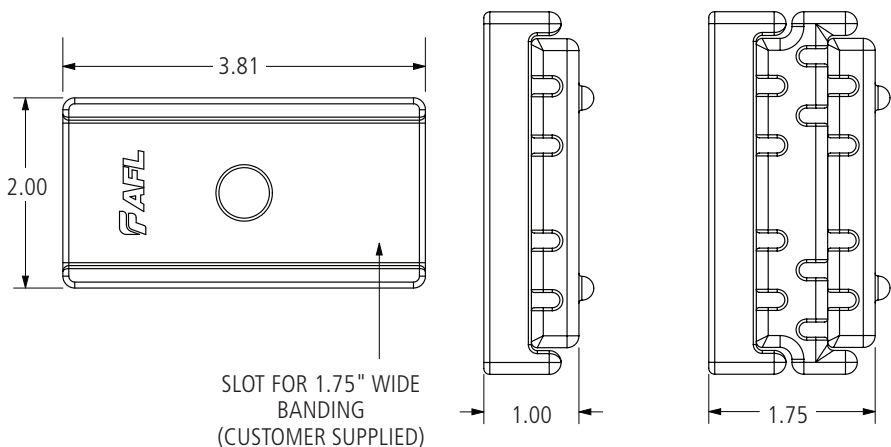
- Compressive elastomer material protects cable jacket
- Lag screw attachment hardware kit available
- Can be banded or bolted in download applications

Ordering Information

AFL NO.	FLAT DROP CAPACITY	HARDWARE INCLUDED
FDCT-4	up to 4	—
FDCT-12	up to 12	—
FDCT-4D	up to 4	Lag screw hardware kit
FDCT-12D	up to 12	Lag screw hardware kit



Ordering Example: To hold up to 12 flat drop cables, with lag screw hardware kit included, order part number FDCT-12D.





RDCT Series Round Drop Cable Tangent/Download

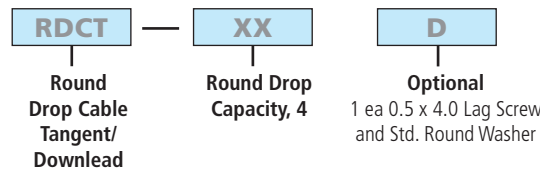
The Round Drop Cable Tangent accessory provides a means of suspending the round drop cable to structures where termination is undesirable. The accessory can also be used in download applications to guide round drop cables from the top of the structure to the splice box.

Features

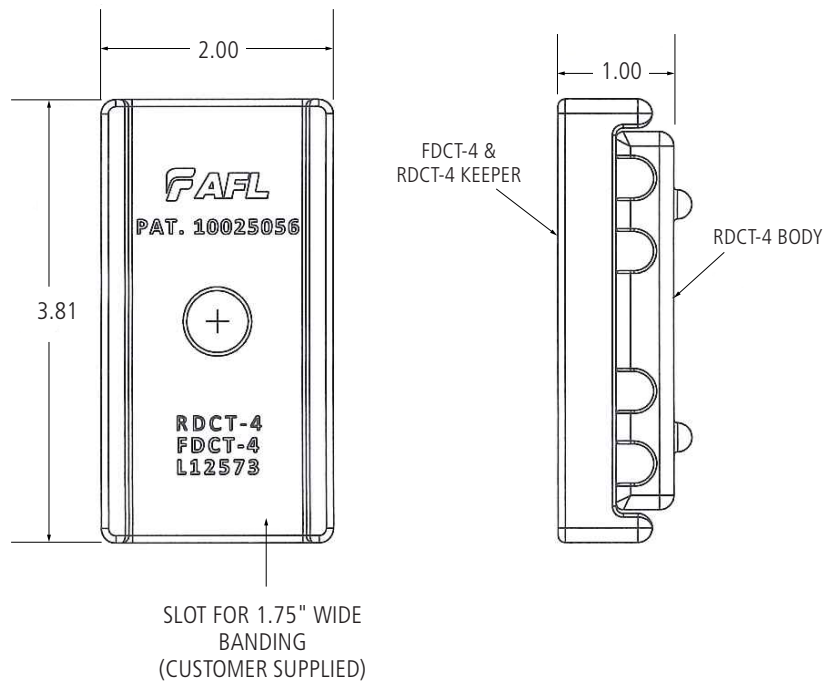
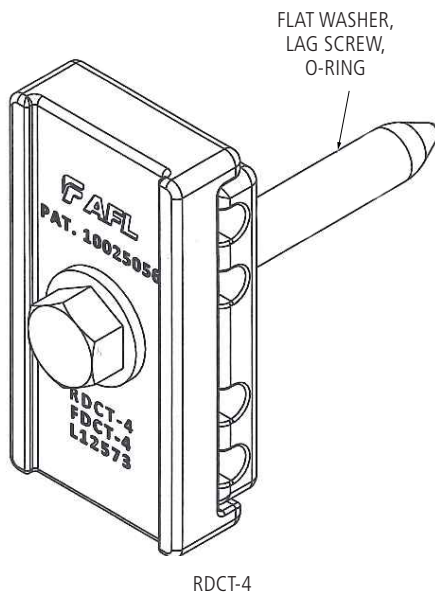
- Compressive elastomer material protects cable jacket
- Lag screw attachment hardware kit available
- Can be banded or bolted in download applications
- Max cable diameter: 0.336"

Ordering Information

AFL NO.	ROUND DROP CAPACITY	HARDWARE INCLUDED
RDCT-4	Up to 4	—
RDCT-4D	Up to 4	Lag screw hardware kit



Ordering Example: To hold four (4) round drop cables with lag screw hardware kit included, order part number RDCT-4D.





Multi-Drop Thimble Eye for Round Drop ADSS

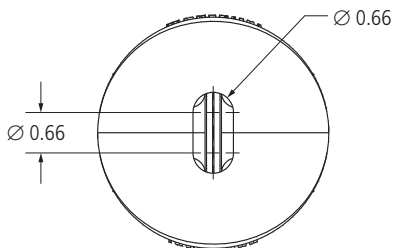
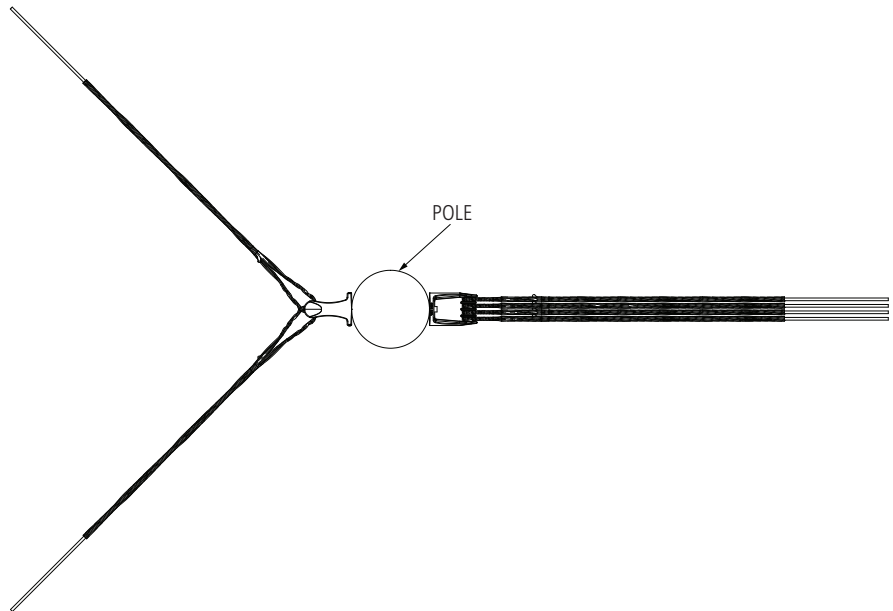
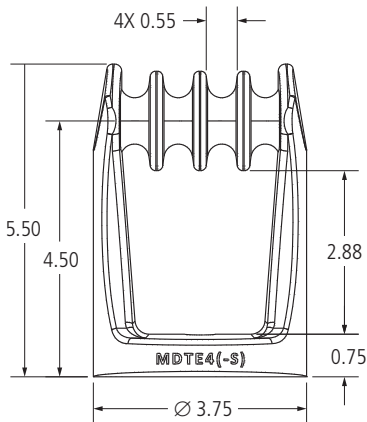
The AFL Multi-Drop Thimble Eye is used to anchor aerial round drop cables to the distribution structure. The uniform radial slots can accommodate up to four formed wire deadends per thimble eye and support tensioning up to 90 degrees from the installation hardware. This is particularly useful when double deadending is required.

Features

- Anchors up to four aerial drop cables
- Supports tensioning 90° from installation hardware
- Slot base for ease of installation

Ordering Information

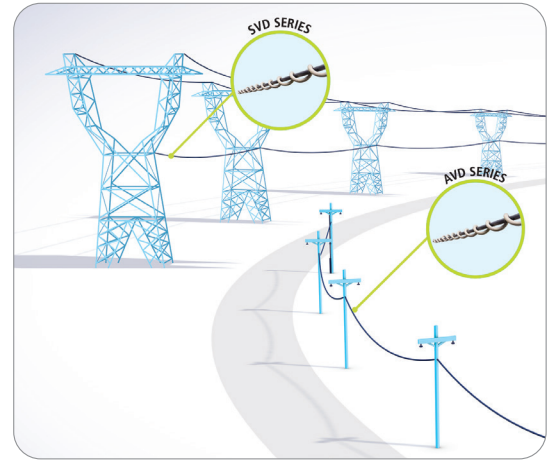
AFL NO.	RATED STRENGTH (LBS.)	APPROX. WEIGHT (LBS.)
MDTE4-S	8,000	1.75



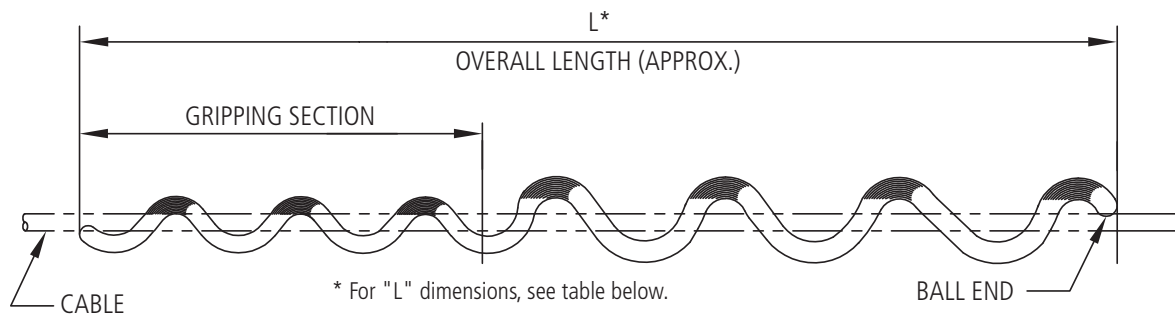
SVD Series Spiral Vibration Dampers

AFL's SVD Series Spiral Vibration Dampers are designed to eliminate the damage caused by Aeolian vibration and reduce overall vibration on bare cables. Made of weather-resistant, non-corrosive plastic, these dampers have a large, helically-formed damping section sized for the cable. A smaller gripping section gently grips the cable. Each damper is marked with the conductor range and color coded to indicate the cable diameter size range.

Line design, temperature, tension, wind flow exposure and history of vibration on similar construction in the location are factors to consider when determining the amount of protection required. Installation can be on both sides of the support location—at least one hand-width from the ends of Armor Rods or cable hardware. Depending on the customer's specific conditions, AFL recommends the SVD Spiral Vibration Damper in accordance with the recommended application chart for the following:



- Conductors between 0.250 inches and 0.500 inches O.D. (used with tietop insulators and rural construction)
- Optical Ground Wires (OPGW) and Overhead Ground Wires (OHGW) in accordance with the recommended application chart



Ordering Information

Select catalog number based on cable diameter. Example: for 0.512" diameter, order SVD462/563

Conductor Diameter Cross Reference

AFL NO.	PLP NO.	CONDUCTOR DIAMETER RANGE INCHES (MM)	"L" ROD LENGTH INCHES (MM)	WEIGHT LBS (KG)	COLOR CODE	STANDARD PACK
SVD250/326	5050103	0.250-0.326 (6.35-8.29)	49 (1244)	29 (13.154)	Light Blue	50
SVD327/461	5050104	0.327-0.461 (8.30-11.72)	51 (1295)	31 (14.061)	Black	50
SVD462/563	5050105	0.462-0.563 (1.73-14.32)	53 (1346)	34 (15.422)	Yellow	50
SVD564/770	5050106	0.564-0.770 (14.33-19.30)	64 (1625)	50 (22.679)	Green	25

High Mass Cross Reference

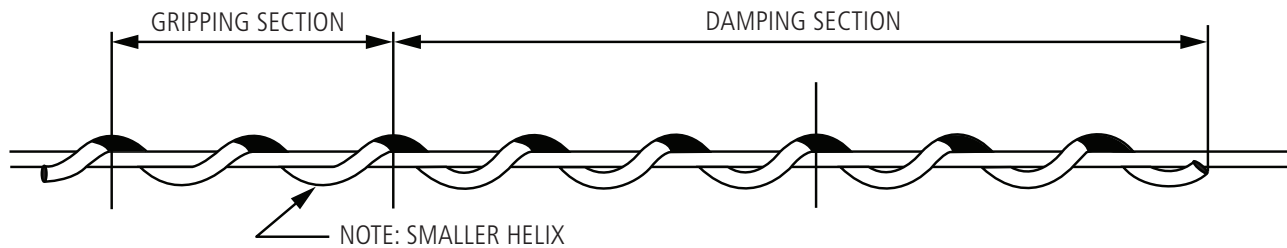
AFL NO.	PLP NO.	CONDUCTOR DIAMETER RANGE INCHES (MM)	"L" ROD LENGTH INCHES (MM)	WEIGHT LBS (KG)	COLOR CODE	STANDARD PACK
SVD250/326HM	5050200	0.250-0.326 (6.35-8.29)	87 (2209)	55 (24.948)	Light Blue	50
SVD327/461HM	5050201	0.327-0.461 (8.30-11.72)	91 (2311)	60 (27.216)	Black	50
SVD462/563HM	5050202	0.462-0.563 (1.73-14.32)	94 (2387)	65 (29.483)	Yellow	50
SVD564/770HM	5050203	0.564-0.770 (14.33-19.30)	96 (2438)	55 (24.948)	Green	25

continued
→

SVD Series Spiral Vibration Dampers (cont.)

Damper Recommendations for Placement

Damper Recommendation applies for specified AFL dampers only. If alternative type or different manufacturer dampers are applied instead, it is possible that damage will occur on the conductor and/or the accessories.



SPAN LENGTH	INITIAL TENSION PERCENTAGE OF CABLE RATED BREAKING STRENGTH AT NOMINAL TEMPERATURE 60°F							
	0-10%		11-15%		16-20%		>20%	
	STANDARD	HIGH MASS	STANDARD	HIGH MASS	STANDARD	HIGH MASS	STANDARD	HIGH MASS
< 800 ft.	2/s	1/s	2/s	1/s	4/s	2/s	4/s	2/s
801-1400 ft.	4/s	2/s	4/s	2/s	6/s	4/s	6/s	4/s
1401-2400 ft.	6/s	4/s	6/s	4/s	8/s	4/s	8/s	4/s
2401-3000 ft.	8/s	4/s	8/s	4/s	10/s	6/s	10/s	6/s
3001-3500 ft.	10/s	6/s	10/s	6/s	12/s	6/s	12/s	6/s
3501-4000 ft.	12/s	6/s	12/s	6/s	16/s	8/s	16/s	8/s
4001-4500 ft.	16/s	8/s	16/s	8/s	18/s	10/s	18/s	10/s
4501-5000 ft.	18/s	10/s	18/s	10/s	20/s	10/s	20/s	10/s

Symbol Designation

- 2/s = 2 dampers per span, 1 on each end of the span
- 4/s = 2 dampers in tandem on each end of the span
- 6/s = 3 dampers in tandem on each end of the span
- 8/s = 3 dampers in tandem + 1 damper on each end of the span
- 10/s = 3 dampers in tandem + 2 dampers in tandem on each end of the span
- 12/s = 3 dampers in tandem + 3 dampers in tandem on each end of the span
- 16/s = 3 dampers in tandem + 3 dampers in tandem + 2 dampers in tandem on each end of the span
- 18/s = 3 dampers in tandem + 3 dampers in tandem + 3 dampers in tandem on each end of the span
- 20/s = 3 dampers in tandem + 3 dampers in tandem + 3 dampers in tandem + 1 damper on each end of the span

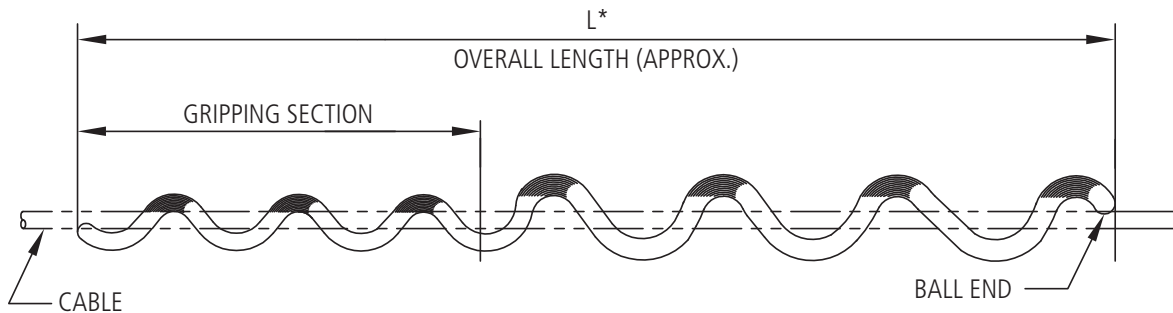
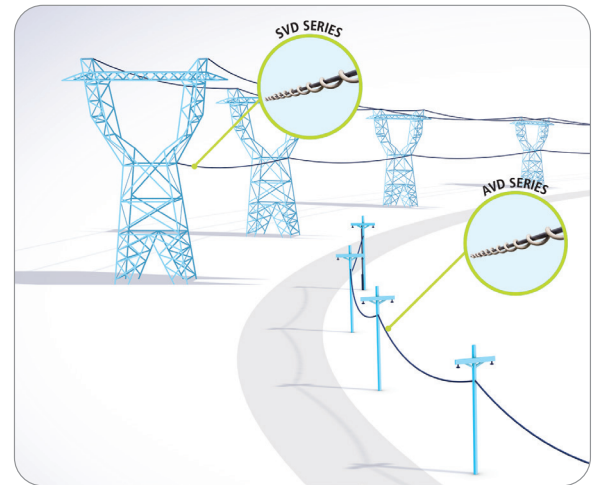
Placement and Spacing

1. SVD shall be placed approximately 5 inches away from any line hardware (suspension, deadend, armor rods, other SVDs, etc.).
2. SVDs can be nestled in tandem for up to three units to prevent the units from interfering with each other.
3. SVDs shall be applied to bare cable only to ensure proper performance.

AVD Series Spiral Vibration Dampers

AFL's AVD Series Spiral Vibration Dampers are designed to eliminate the damage caused by Aeolian vibration and reduce overall vibration on bare All-Dielectric Self-Supporting (ADSS) cables. Made of weather-resistant, non-corrosive plastic, these dampers have a large, helically-formed damping section sized for the ADSS cable. A smaller gripping section gently grips the ADSS cable. Each damper is marked with the conductor range and color coded to indicate the cable diameter size range.

Line design, temperature, tension, wind flow exposure and history of vibration on similar construction in the location are factors to consider when determining the amount of protection required. Installation can be on both sides of the support location—at least one hand-width from the ends of Armor Rods or cable hardware. Depending on the customer's specific conditions, AFL recommends the AVD Spiral Vibration Damper for ADSS cable in accordance with the recommended application chart.



* For "L" dimensions, see table below.

Ordering Information

Select catalog number based on cable diameter. Example: for 0.512" diameter, order AVD462/563

Conductor Diameter Cross Reference

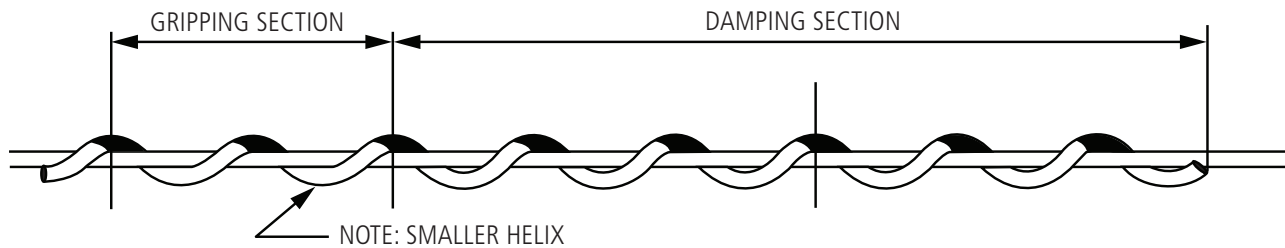
AFL NO.	PLP NO.	CONDUCTOR DIAMETER RANGE inches (mm)	"L" ROD LENGTH inches (mm)	WEIGHT lbs (KG)	STANDARD PACK
AVD250/326	50502393	0.250-0.326 (6.35-8.29)	49 (1244)	27 (12.247)	50
AVD327/461	50502272	0.327-0.461 (8.30-11.72)	51 (1295)	30 (12.701)	50
AVD462/563	50502274	0.462-0.563 (1.73-14.32)	53 (1346)	30 (13.608)	50
AVD564/770	50509862	0.564-0.770 (14.33-19.30)	64 (1625)	47 (21.319)	25
AVD771/876	50503057	0.771-0.876 (19.58-22.25)	71 (1803)	29 (13.154)	25
AVD877/1000	50503576	0.877-1.000 (22.26-25.40)	75 (1905)	36 (16.329)	25
AVD1001/1250	50503909	1.001-1.250 (25.41-31.75)	90 (2286)	41 (18.597)	25

continued
→

AVD Series Spiral Vibration Dampers (cont.)

Damper Recommendations for Placement

Damper Recommendation applies for specified AFL dampers only. If alternative type or different manufacturer dampers are applied instead, it is possible that damage will occur on the conductor and/or the accessories.



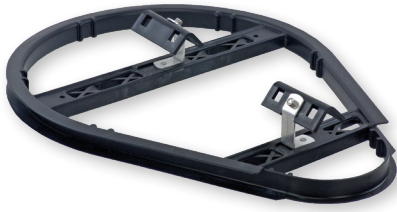
SPAN LENGTH	INITIAL TENSION PERCENTAGE OF CABLE RATED BREAKING STRENGTH (RBS) AT NOMINAL TEMPERATURE 60°F				
	0-10%	11-15%	16-20%	21-25%	>25%
< 250 ft.	0	2/s	2/s	2/s	2/s
251-500	2/s	2/s	2/s	2/s	4/s
501-800	2/s	2/s	2/s	4/s	4/s
801-1600	4/s	4/s	4/s	6/s	6/s
1601-2400	6/s	6/s	6/s	8/s	8/s
2401-3000	8/s	8/s	8/s	10/s	10/s
3001-3500	10/s	10/s	10/s	12/s	12/s
3501-4000	12/s	12/s	12/s	16/s	16/s
4001-4500	16/s	16/s	16/s	16/s	18/s
4501-5000	18/s	18/s	18/s	18/s	20/s

Symbol Designation

- 2/s = 2 dampers per span, 1 on each end of the span
- 4/s = 2 dampers in tandem on each end of the span
- 6/s = 3 dampers in tandem on each end of the span
- 8/s = 3 dampers in tandem + 1 damper on each end of the span
- 10/s = 3 dampers in tandem + 2 dampers in tandem on each end of the span
- 12/s = 3 dampers in tandem + 3 dampers in tandem on each end of the span
- 16/s = 3 dampers in tandem + 3 dampers in tandem + 2 dampers in tandem on each end of the span
- 18/s = 3 dampers in tandem + 3 dampers in tandem + 3 dampers in tandem on each end of the span
- 20/s = 4 dampers in tandem + 3 dampers in tandem + 3 dampers in tandem on each end of the span

Placement and Spacing

1. AVD shall be placed approximately 5 inches away from any line hardware (suspension, deadend, armor rods, other SVDs, etc.).
2. AVDs can be nested in tandem for up to three units to prevent the units from interfering with each other.
3. AVDs shall be applied to bare cable only to ensure proper performance.



Fiber Storage Units for ADSS Fiber Optic Cable

AFL Fiber Storage Units (FSU) are used to conveniently store an extra length of cable along the ADSS cable run for later use. Furnished as pairs (kit contains two Fiber Storage Units and two sets of hanger brackets), these FSUs are constructed from UV stabilized PPE thermoplastic. All basic hardware for attachment to the ADSS cable is provided. ADSS cable mount support brackets meet Telcordia® specifications. Epoxy coated clamping devices meet ASTM specifications A153 and B695.

Features

- Small profile and side facing channel minimizes ice and leaf loading
- Constructed from UV stabilized PPE thermoplastic
- Basic hanging hardware (bolts, nuts, washers) and strand clamps all included
- Tie-wrap slots for securing cable
- Epoxy-coated strand clamps

The mounting bracket features an angled, tent-profile, epoxy-coated bracket for standard ADSS cable mounting.

Specifications

PARAMETER	FOSP-ADSS-12	FOSP-ADSS-17
Nominal Channel Width - in. (cm)	0.625	1.00
Minimum Bend Diameter - in. (cm)	12	17.5

Ordering Information

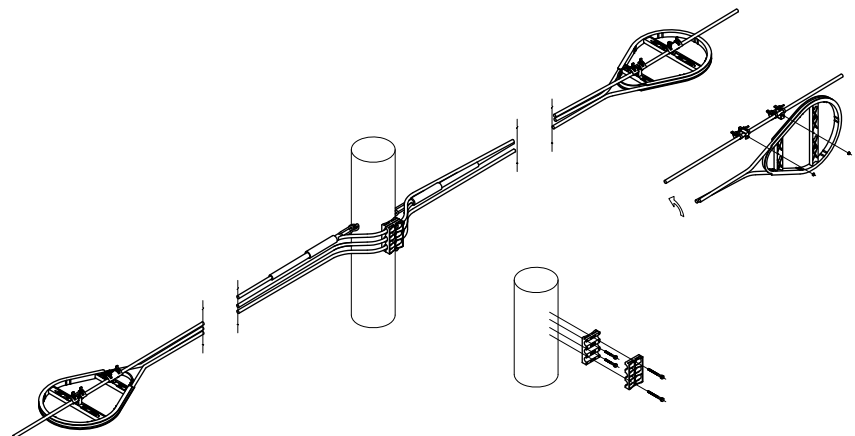
DESCRIPTION	FOSP-ADSS-12	FOSP-ADSS-17
FOS ADSS Kit	FA000049	FA000050

Kits contain one pair of FOSP and two sets of hanger brackets.

Qualifications

GOVERNING BODY	STANDARD CODE
ASTM	ASTM A153, ASTM B695

Typical Installation Diagram



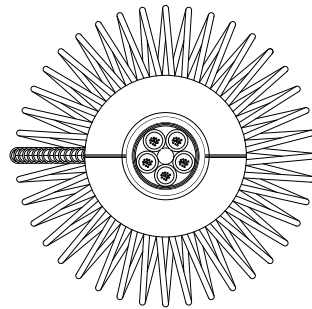
Corona Ring for ADSS Cable

Ordering Information

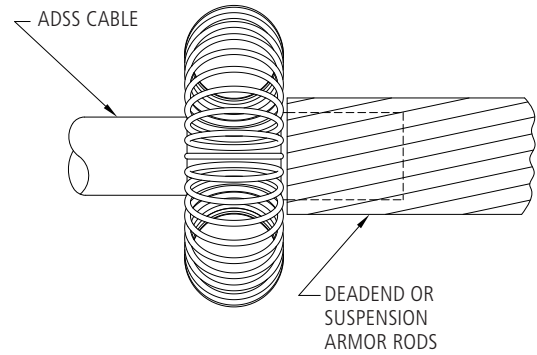
A	CR	XXX
ADSS CABLE	Corona Ring	Cable Diameter in Decimal Inches

Ordering Example:

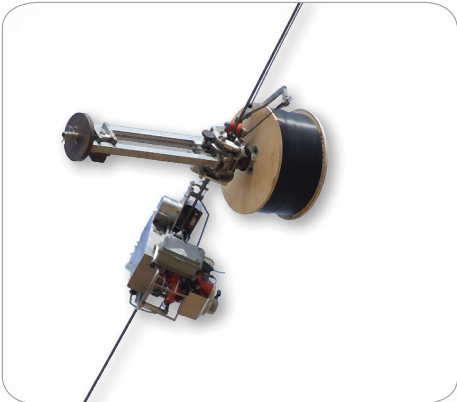
For a .685" diameter ADSS, the AFL number is ACR685



CORONA RING ASSEMBLY



Note: Corona coil clamp component should be installed under the rods of the dead end or suspension.



SkyWrap®

Successfully installed worldwide since 1982, SkyWrap is a fiber optic cable helically applied on ground wires or phase conductors. A specially designed spinning machine is used to wrap the cable under controlled conditions. This system offers a complete communication link designed and engineered for high-voltage environments at low cost.

SkyWrap is the ideal solution when access to the overhead line is problematic due to environment or terrain. The installation equipment is lightweight, easy to handle and quick to install. When power outages are hard to coordinate SkyWrap can be installed on ground wire while the phase conductors remain live, or on phase conductors with single circuit outage.

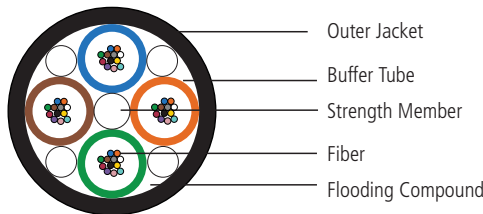
Features

- Suitable for use on distribution lines
- Gel-filled buffer tubes are S-Z stranded for easy mid-span access
- Design details listed below for span lengths up to 457 metres and fiber counts up to 144
- Requires the use of formed wire dead ends single circuit outage on phase
- Complete lifetime turn-key solutions
- Over 30 years installation experience

Benefits

- Quick, cost effective installation
- Utilise existing power line infrastructure
- Use where access is limited (e.g. mountains and river crossings)
- Use for both ground wires and phase conductors
- Live line installations on ground wire or single circuit outage on phase

Cable Components



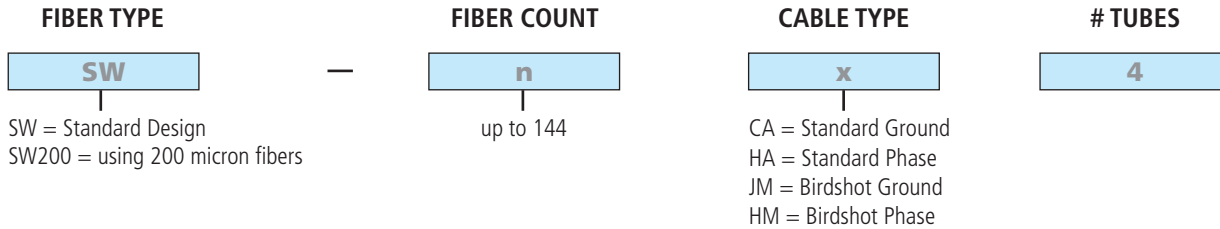
Temperature Specifications

TEMPERATURE RANGE	
OPERATING	-40°C to +85°C
STORAGE	-40°C to +50°C
INSTALLATION	-20°C to +50°C

continued
→

SkyWrap®

Part Number



SkyWrap Ordering Information

ITEM NUMBER	FIBER COUNT	CABLE O.D.	WEIGHT	LENGTH PER REEL	CASSETTE LENGTH
		mm	km/kg	m	m
STANDARD GROUND WIRE					
SW-nCA4	04 - 24	6.4	36	2,440	4,880
SW-nCA4	26 - 48	6.6	39	2,295	4,590
SW-nCA4	50 - 96	8.0	59	1,562	3,124
BIRDSHOT RESISTANT GROUND WIRE					
SW-nJM4	04 - 24	7.3	46	1,826	3,652
SW-nJM4	26 - 48	7.5	50	1,730	3,460
SW-nJM4	50 - 96	8.9	71	1,228	2,456
SW200-nJM4	100-144	8.7	55	1,285	2,570
STANDARD PHASE CONDUCTOR					
SW-nHA4	04 - 24	7.3	55	1,914	3,828
SW-nHA4	26 - 48	7.5	59	1,813	3,626
SW-nHA4	50 - 96	8.9	82	1,288	2,576
BIRDSHOT RESISTANT PHASE CONDUCTOR					
SW-nHM4	04 - 24	8.0	61	1,594	3,188
SW-nHM4	26 - 48	8.2	65	1,517	3,034
SW-nHM4	50 - 96	9.6	89	1,107	2,214
SW200-nHM4	100-144	9.4	81	1,154	2,308

Note: Diameter and weight subject to change without notice

Installation Equipment Information

PARAMETER	VALUE
Typical Weight (includes cable and balance weight)	250 kg
Min-Max Radius of Rotation	0.87 - 1.45 m
Wrapping Speed	5 km per hour

Installation Hardware

A full range of hardware and accessories are available as part of the SkyWrap solution. Many different options are available to suit individual structure types and environmental conditions. Please contact AFL for more information.



High Voltage SkyWrap®

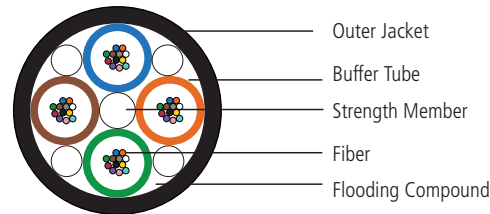
High Voltage SkyWrap is a specialized solution that permits the installation of SkyWrap onto phase conductors at system voltages of up to 300 kV. The solution is applicable for power lines without ground wires with conductors running at system voltages between 150-300 kV, opening up new transmission lines for power utilities to add fiber optic cable to their power network.

The system is developed, tested and approved to the applicable standards for working in this challenging environment, while maintaining all the key features and benefits of the SkyWrap system in terms of ease and speed of installation.

Features

- System voltages of 150 kV to 300 kV with no ground wire
- Pre-made Phase-To-Ground Insulator system ensures quick, simple and secure installation of critical components
- SkyWrap cable retained with dual layer anti-tracking sheath providing protection against shotgun damage, UV light, pollution, lightning and fault current conditions and electric field effects
- Small size and low weight ensures minimum loads are applied to the overhead line
- System tested to standards for tracking and erosion, leakage current, partial discharge (PD) and radio-interference voltage (RIV)

Cable Components



Part Number

FIBER TYPE	FIBER COUNT	CABLE TYPE	# TUBES
SW	n	x	4
SW = Standard Design SW200 = using 200 micron fibers	up to 144	HA = Standard Phase HM = Birdshot Phase	

continued
→



High Voltage SkyWrap®

SkyWrap Ordering Information

ITEM NUMBER	FIBER COUNT	CABLE O.D.	WEIGHT	LENGTH PER REEL	CASSETTE LENGTH
		mm	km/kg	m	m
STANDARD PHASE CONDUCTOR					
SW-nHA4	04 - 24	7.3	55	1,914	3,828
SW-nHA4	26 - 48	7.5	59	1,813	3,626
SW-nHA4	50 - 96	8.9	82	1,288	2,576
BIRDSHOT RESISTANT PHASE CONDUCTOR					
SW-nHM4	04 - 24	8.0	61	1,594	3,188
SW-nHM4	26 - 48	8.2	65	1,517	3,034
SW-nHM4	50 - 96	9.6	89	1,107	2,214
SW200-nHM4	100-144	9.4	81	1,154	2,308

NOTE: Diameter and weight subject to change without notice.
Single-mode, multi-mode and non-zero dispersion-shifted fiber types are available on request.

Qualifications

GOVERNING BODY	STANDARD CODE
IEEE	1591.3
CISPR	18-2

Temperature Specifications

TEMPERATURE RANGE	
OPERATING	-40°C to +85°C
STORAGE	-40°C to +50°C
INSTALLATION	-20°C to +50°C

Contact AFL for further details.

SkyWrap® Ground Wire Hardware

A full range of hardware is available for fixing the SkyWrap cable to ground wire tower arrangements. The cable can be passed around tower tops using a specially designed bypass accessory known as a 'balehanger'. SkyWrap cable is passed down the tower to joint enclosures or termination joints in protective conduits. All cable clamps are supplied for fixing the SkyWrap cable as required.

Features

- All tower fittings are available for a range of tower or pole designs
- Tower mounted enclosure boxes are 830 x 380 x 260 mm
- All accessories are robust, weather-proof design
- Suitable for up to 144 fibers or 288 fibers with double SkyWrap applied
- Joint enclosure can be locked for added security

Typical Tower Arrangements

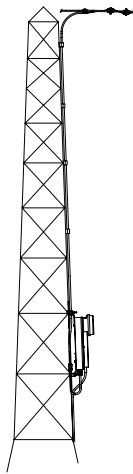


FIG. 1 – Termination Joint

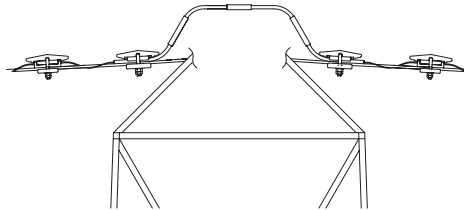


FIG. 2 – In-line Bypass

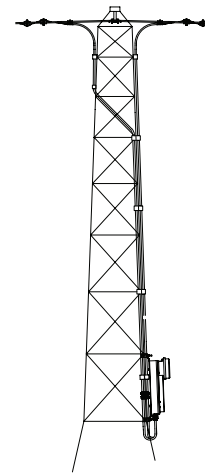


FIG. 3 – In-line Joint

Ordering Information

FIG. NO.	ARRANGEMENT		TOWER HEIGHT (Metres)			STRUCTURE TYPE			CONDUCTOR SIZE (mm)			DOUBLE WRAP	FIBER COUNT
			<25	<35	<60	LATTICE TOWER	STEEL/CONCRETE POLE	WOOD POLE	9-22	20-31	30-43		
1	Termination Joint	TCD	L	M	H	902	906	962	A	B	C	D	nnF
2	In-line Bypass	TCD	–	–	–	909	909	909	A	B	C	D	–
3	In-line Joint	TCD	L	M	H	901	905	961	A	B	C	D	nnF

Example: TCD-L906BD48F or TCD-909A

Qualifications

GOVERNING BODY	STANDARD CODE	COMPONENT
IEEE	1591.3 1594	Fittings Cable
BS EN	50411-3	Tower Mounted Enclosure Boxes

Contact AFL for further details.

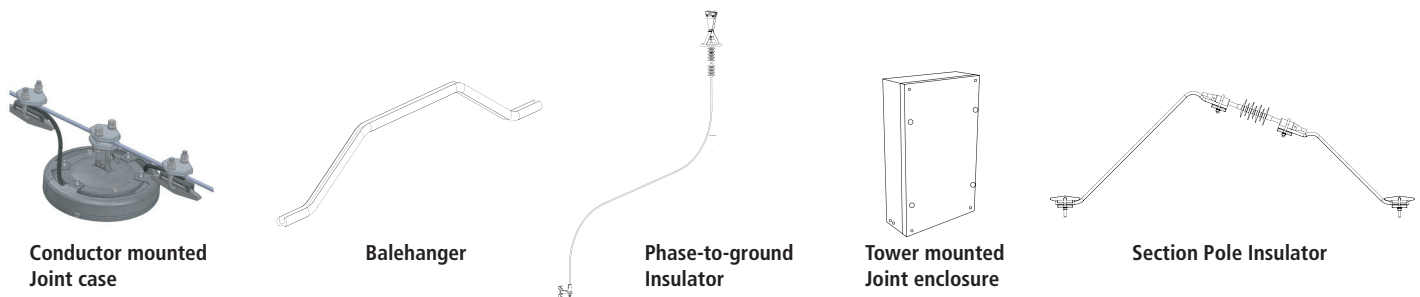
SkyWrap® Phase Wire Hardware

A full range of hardware is available for fixing the SkyWrap cable to phase wire tower arrangements. The cable is passed around and kept away from conductor fittings using a specially designed bypass accessory known as 'balehanger'. SkyWrap cable is passed down the tower to joint enclosures or termination joints via a specially design system called Phase-to-Ground. This system provides electrical isolation and mechanical support to transition the SkyWrap cable from phase conductor to a tower mounted enclosure. Conductor mounted enclosures or 'donuts' are also available for SkyWrap cable, this enclosure is held at the same electric potential as the conductor keeping the joint protected by the Faraday Effect. Hardware fittings are available for tension and suspension tower designs using lattice towers, wood, steel or concrete poles.

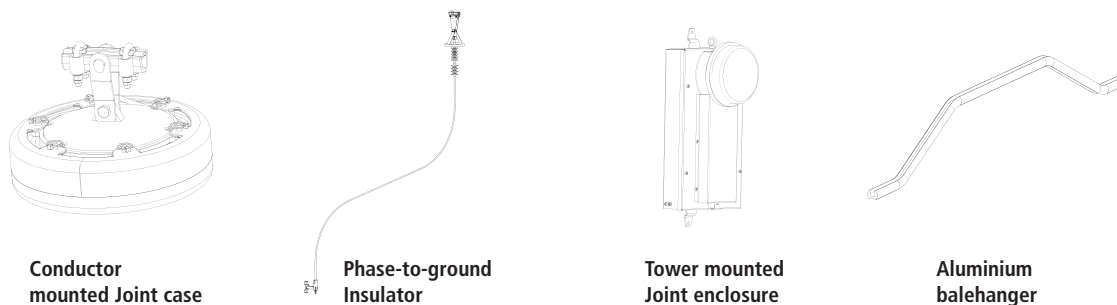
Features

- Robust weather-proof, track resistant designs to suit environmental and polluted conditions
- Available for up to 288 fibers
- Tower mounted enclosure boxes are 830 x 380 x 260 mm
- Suitable for up to 300 kV system voltage

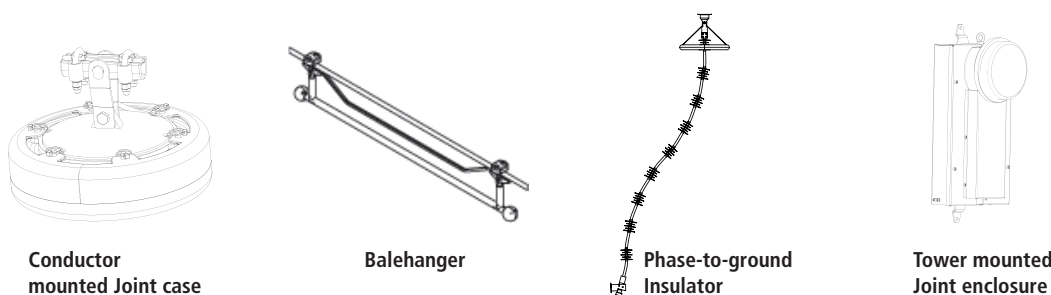
Key AccessWrap Components for System Voltages up to 50 kV



Key Components for System Voltages up to 150 kV



Key Components for System Voltages up to 300 kV



continued →

SkyWrap® Phase Wire Hardware

Typical Tower Arrangements

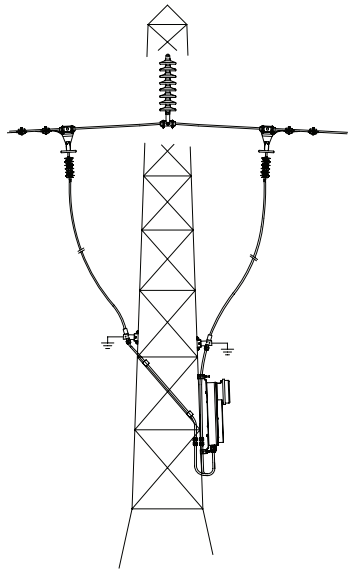


FIG. 1 – In-line Joint

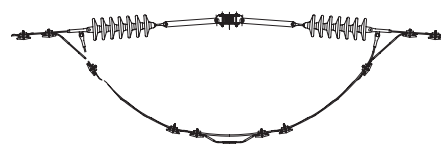


FIG. 2 – Tension Bypass

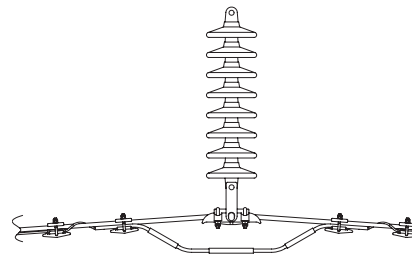


FIG. 3 – Suspension Bypass

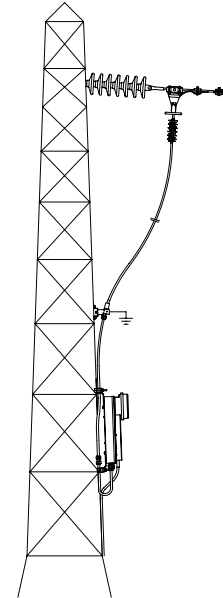


FIG. 4 – Termination Joint

Ordering Information

ARRANGEMENT		TOWER HEIGHT (Metres)				STRUCTURE TYPE				CONDUCTOR SIZE (mm)				DOUBLE WRAP	FIBER COUNT	
FIG. NO. & TOWER TYPE	SYSTEM KV	<25	<35	<60	LATTICE TOWER	STEEL/ CONCRETE POLE	WOOD POLE	TENSION	SUSPENSION	9-22	20-31	30-43	42-60			
1 In-line Joint	50	TCD	L	M	H	–	1016	1016	–	–	A	B	C	–	D	nnF
	150	TCD	L	M	H	912	916	920	–	–	A	B	C	–	D	nnF
	300	TCD	–	–	–	301	–	–	–	–	–	B	C	D	D	nnF
2 Tension Bypass	50	TCD	–	–	–	–	1010	1010	–	–	A	B	C	–	D	–
	150	TCD	–	–	–	927	927	927	–	–	A	B	C	–	D	–
	300	TCD	–	–	–	308	–	–	–	–	–	B	C	D	D	nnF
3 Suspension Bypass	50	TCD	–	–	–	–	1009	1009	–	–	A	B	C	–	D	–
	150	TCD	–	–	–	926	926	926	–	–	A	B	C	–	D	–
	300	TCD	–	–	–	303	–	–	–	–	–	B	C	D	D	nnF
4 Termination Joint	50	TCD	L	M	H	–	1017	1017	–	–	A	B	C	–	D	nnF
	150	TCD	L	M	H	913	917	921	–	–	A	B	C	–	D	nnF
	300	TCD	–	–	–	302	–	–	–	–	–	B	C	D	D	nnF
Conductor Mounted Joint	50	TCD	–	–	–	–	1025	1025	–	–	A	B	C	–	D	–
	150	TCD	L	M	H	–	–	–	924	925	A	B	C	–	D	nnF
	300	TCD	–	–	–	306	–	–	–	–	–	B	C	D	D	nnF

Example: TCD-L916BD48F or TCD-927A

Qualifications

GOVERNING BODY	STANDARD CODE	COMPONENT
IEEE	1591.3	Fittings
IEC	60, 1109	Phase-to-Ground
	60060-1, 61109, 60437	Donut
BS	5049 part 2-994	Donut

GOVERNING BODY	STANDARD CODE	COMPONENT
CISPR	18-2	Donut
BS EN	50411-3	Joint Enclosures

Contact AFL for further details.



Opti-Guard Splice Enclosure

The Opti-Guard Splice Enclosure from AFL offers an impressive spectrum of features which makes it the best selection for your splice protection needs. Its unique and flexible design was created with the "real-world" technician in mind. The Opti-Guard combines optimized system performance with unparalleled ease of use. It is resistant to water, ultraviolet rays, temperature and ballistics. Opti-Guard installs easily without messy tapes or adhesives. It provides the flexibility needed to handle the most demanding installation scenarios.

Features

- Accommodates up to 672 single fusion splices
- Craft friendly design requires no specialized tools to install and minimizes required training
- Easy to maintain and re-enter; no re-entry kit required
- Unit is lightweight and mounts to many types of structures
- May be bolted or banded; no special adapters needed
- Specially designed non-metallic housing
- Environmentally sealed to protect fibers
- Accepts up to six individual cables
- Accommodates most cable types in most environments
- Versatile cable tie-off system resists up to 100 pounds of tension per cable

Ordering Information

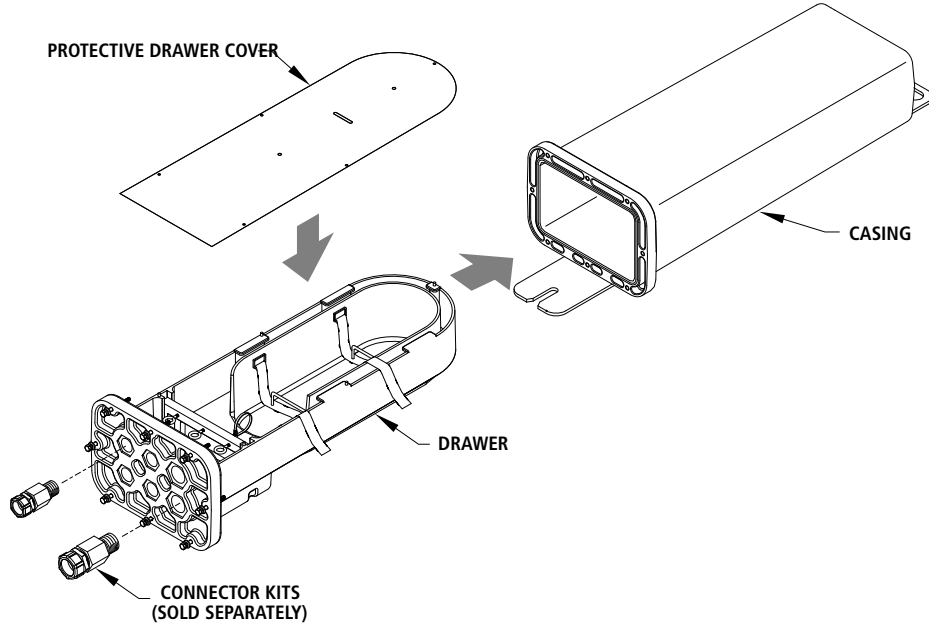
DESCRIPTION	MODEL	AFL NO.
Supplied without Splice Trays or Cable Connectors. These items ordered separately	Opti-Guard Splice Enclosure	OG03
Capacity of up to 72 single fusion splices per tray	Opti-Guard Splice Tray	OGST01-72
Capacity of up to 96 single fusion splices per tray	Opti-Guard Splice Tray	OGST01-96
60 mm, Fujikura FP3 (standard) 40 mm, Fujikura FP3-40 (special applications only) <i>Sold in packs of ten (not included with splice trays)</i>	Splice Protection Sleeves	SPS60 SPS40
Ballistic shield for Opti-Guard Splice Enclosure	Opti-Guard Bullet Guard	OGBGS-01
Order one kit for each stainless steel tube	Opti-Guard Fiber Routing Kit	OGFK01
Used for Optical Ground Wire	Connector Kit	SLCK, SCK, APCK
Used for All-Dielectric Self-Supporting (ADSS) Cable and Loose Tube Cable	Connector Kit	BCK
Used to store extra length of optical ground wire cable	External Coil Bracket	CB-44-3AL

NOTE: Refer to page on Connector Kit for AFL number set-up.

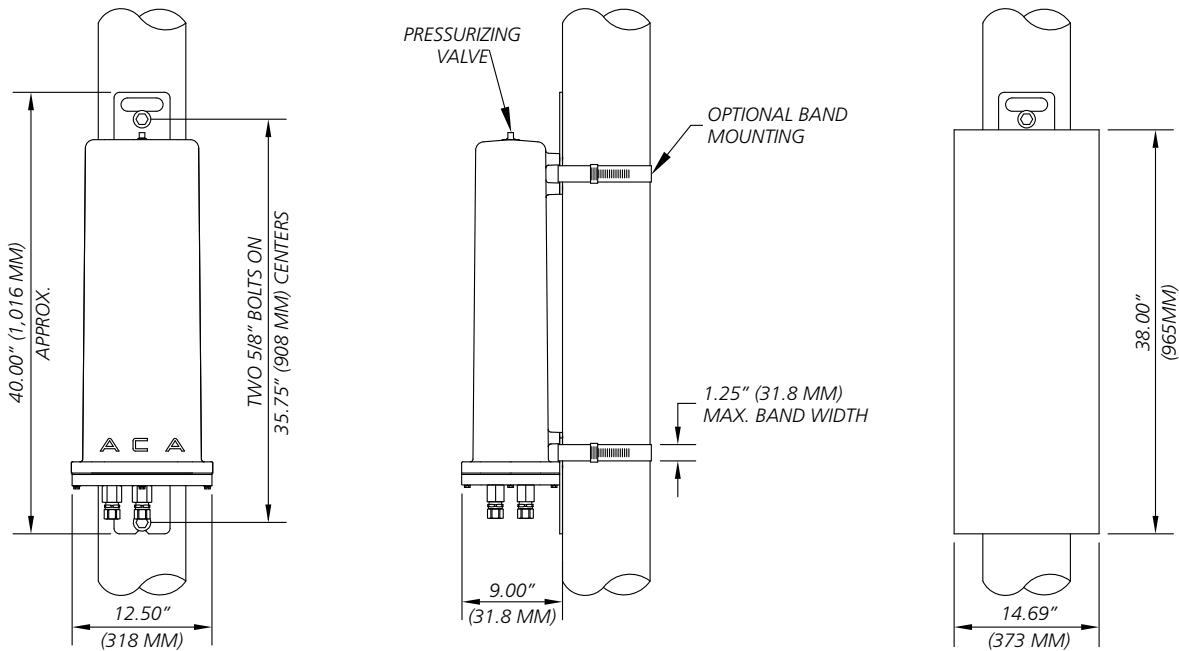
continued
→

Opti-Guard Splice Enclosure

Exploded View



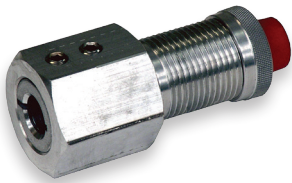
Mounting Details and Options



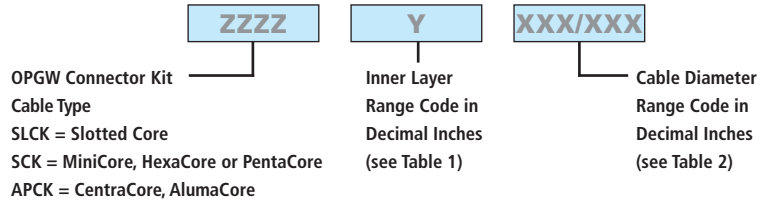
continued
→

Connector Kits for Opti-Guard and SB01 Splice Enclosures—OPGW Cable

Connector Kit: Optical Ground Wire



Optical Ground Wire Connector Kit



Ordering Example: For 0.571" diameter SX-67/49/571, which has a layer 1 total diameter of 0.358", the AFL number is SCKB569/583.

Table 1 – Inner Layer Range Codes

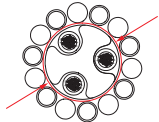
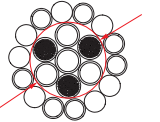
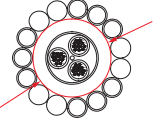
RANGE CODE	 SLOTTED CORE DIAMETER	 MINICORE, HEXACORE OR PENTACORE LAYER 1 DIAMETER	 CENTRACORE OR ALUMACORE PIPE DIAMETER
A	0.185 - 0.227	0.000 - 0.230	0.185 - 0.227
B	0.228 - 0.264	0.231 - 0.500	0.228 - 0.264
C	0.265 - 0.300	0.501 - 0.636	0.265 - 0.300
D	0.301 - 0.374	—	0.301 - 0.374
E	0.375 - 0.479	—	0.375 - 0.479
F	0.480 - 0.550	—	0.480 - 0.550
G	0.551 - 0.630	—	0.551 - 0.630
H	0.631 - 0.700	—	0.631 - 0.700

Table 2 – Cable Diameter Range Codes

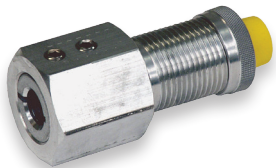
RANGE CODE	CABLE DIAMETER RANGE	
	MIN.	MAX.
225/240	0.225	0.240
241/255	0.241	0.255
256/271	0.256	0.271
272/286	0.272	0.286
287/302	0.287	0.302
303/318	0.303	0.318
319/333	0.319	0.333
334/349	0.334	0.349
350/365	0.350	0.365
366/380	0.366	0.380
381/396	0.381	0.396
397/412	0.397	0.412
413/427	0.413	0.427
428/443	0.428	0.443
444/459	0.444	0.459
460/474	0.460	0.474
475/490	0.475	0.490

RANGE CODE	CABLE DIAMETER RANGE	
	MIN.	MAX.
491/506	0.491	0.506
507/521	0.507	0.521
522/537	0.522	0.537
538/553	0.538	0.553
554/568	0.554	0.568
569/583	0.569	0.583
584/599	0.584	0.599
600/615	0.600	0.615
616/630	0.616	0.630
631/646	0.631	0.646
647/662	0.647	0.662
663/677	0.663	0.677
678/693	0.678	0.693
694/708	0.694	0.708
709/727	0.709	0.727
728/740	0.728	0.740

continued →

Connector Kits for Opti-Guard and SB01 Splice Enclosures— Black Jacket Cable

Connector Kit: All-Dielectric Self-Supporting Fiber Optic Cable



All-Dielectric Self-Supporting Connector Kit

BCK

Black Jacket Cable
Connector Kit

XXX/XXX

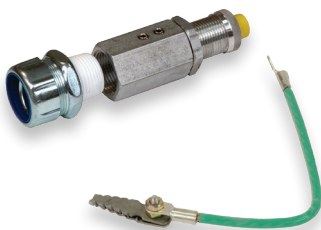
Range Code in
Decimal Inches
(see Table 1 below)

F

Blank = No Additional Connector
Assembly Required
F = 1" Flex Conduit Connector Required

Ordering Example: For 0.528" diameter ADSS, the AFL number is BCK522/537.

Connector Kit: Loose Tube Fiber Optic Cable



Armored Loose Tube Connector Kit

BCK

Black Jacket Cable
Connector Kit

XXX/XXX

Range Code in
Decimal Inches
(see Table 1 below)

B

Options
Blank = No Additional Connector
Assembly Required
F = 1" Flexible Conduit Connector Required
A = Armor Ground Assembly Required
B = Armor Ground Assembly and 1" Flexible
Conduit Connector Required

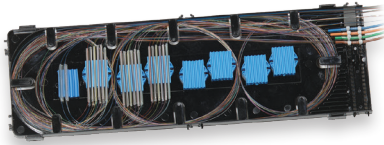
Ordering Example: For 0.510" armored loose tube (duct) cable with flexible conduit and armor ground connections, the AFL number is BCK507/521B.

Table 1

RANGE CODE	CABLE DIAMETER RANGE	
	MIN.	MAX.
225/240	0.225	0.240
241/255	0.241	0.255
256/271	0.256	0.271
272/286	0.272	0.286
287/302	0.287	0.302
303/318	0.303	0.318
319/333	0.319	0.333
334/349	0.334	0.349
350/365	0.350	0.365
366/380	0.366	0.380
381/396	0.381	0.396
397/412	0.397	0.412
413/427	0.413	0.427
428/443	0.428	0.443
444/459	0.444	0.459
460/474	0.460	0.474
475/490	0.475	0.490

RANGE CODE	CABLE DIAMETER RANGE	
	MIN.	MAX.
491/506	0.491	0.506
507/521	0.507	0.521
522/537	0.522	0.537
538/553	0.538	0.553
554/568	0.554	0.568
569/583	0.569	0.583
584/599	0.584	0.599
600/615	0.600	0.615
616/630	0.616	0.630
631/646	0.631	0.646
647/662	0.647	0.662
663/677	0.663	0.677
678/693	0.678	0.693
694/708	0.694	0.708
709/727	0.709	0.727
728/740	0.728	0.740

continued →



Opti-Guard Splice Tray

Opti-Guard Splice Tray

The Opti-Guard Splice Tray is specifically designed to be used with the Opti-Guard Splice Enclosure.

Features

- 72 or 96 fiber splice capacity
- Manifolds are easily removed for lower fiber counts
- Clear cover for easy fiber identification

Ordering Information

MODEL	AFL NO.
Opti-Guard Splice Tray (72 fiber)	OGST01-72
Opti-Guard Splice Tray (96 fiber)	OGST01-96
60 mm Splice Protection Sleeve	SPS60
40 mm Splice Protection Sleeve	SPS40



Opti-Guard Bullet Guard

Opti-Guard Bullet Guard

The Opti-Guard Bullet Guard is designed to supplement the ballistic resistance of the Opti-Guard Splice Enclosure.

Features

- Can be retrofitted onto existing installations without disturbing cables
- Only a standard flat-blade screwdriver required for installation

Ordering Information

MODEL	AFL NO.
Opti-Guard Bullet Guard	OGBGS-01



Opti-Guard Fiber Routing Kit

Opti-Guard Fiber Routing Kit

The Opti-Guard Fiber Routing Kit provides all of the materials to properly route fibers from a stainless steel tube to the OGST01-72 splice tray inside the Opti-Guard splice enclosure.

Features

- Primary transition tubing leads fiber from stainless steel tube to splice tray
- Heat Shrink tubing guides fibers as they exit the stainless steel tube
- Cable ties provided to secure tubing to the tray and the end of the stainless steel tube

Ordering Information

MODEL	AFL NO.
Opti-Guard Fiber Routing Kit	OGFK01

NOTE: Order one kit for each stainless steel tube.



SB01

SB01 Splice Enclosure

AFL's splice enclosure provides protection from all types of elements. From weather to bullets, the iron and steel construction requires no additional protective covering. Furnished with four plugged cable ports (2 aluminum and 2 plastic) for either All-Dielectric Self-Supporting (ADSS) or Optical Ground Wire (OPGW) cables, the splice enclosure can be pre-mounted to a structure before completion of the splicing phase.

With an internal capacity to store approximately 25 feet of buffer tube, the closure is more cost-effective, eliminating the need for an external coil storage bracket (with exception to stainless steel tube optical ground wire designs). The 72-fiber circular fiber tray, constructed of high impact-resistant Lexan®, enables management of up to 144 fibers. The tray's black base and clear lid enable easy accessibility.

Ideal for electric utilities and optical cable installers, the splice enclosure is versatile and cost-effective for new and existing installations.

Features

- Up to 144-fiber splice capacity, depending on cable design
- Customizable kit with no special re-entry kits required
- Splice tray constructed of high impact-resistant Lexan®
- Manufactured of iron and steel; bullet-resistant
- Pre-mountable enabling easy re-entry and access
- Unique new gasket with top-center radius eliminates the need for RTV sealant
- New C11508-1 gasket can be retrofitted to existing splice closures



SB01 with 12 splice capacity tray



SB01 with 72 splice capacity tray



Top view of new SB01 gasket (AFL No. C11508-1)

Ordering Instructions – Step 1

DESCRIPTION	AFL NO.
Splice Enclosure including one splice tray for 12 single fused fiber capacity, sealant, organizer tray for additional trays.	SB01
Splice Enclosure including one splice tray for 72 single fused fiber capacity. Protection sleeves not included.	SB01-72
Splice Enclosure including two splice trays for 72 single fused fiber capacity, a total of 144 splices. Protection sleeves not included.	SB01-144

Cable connector kits required to complete installation are sold separately. Refer to "Ordering Instructions" Steps 2 and 3 on the following pages to complete your order.

Ordering Instructions – Step 2

CONNECTOR KIT	APPLICATION
SLCK, SCK, APCK	Optical Ground Wire
BCK	All-Dielectric Self-Supporting (ADSS) Fiber Optic Cable Loose Tube Fiber Optic Cable

Refer to page on connector kits for AFL number set-up.

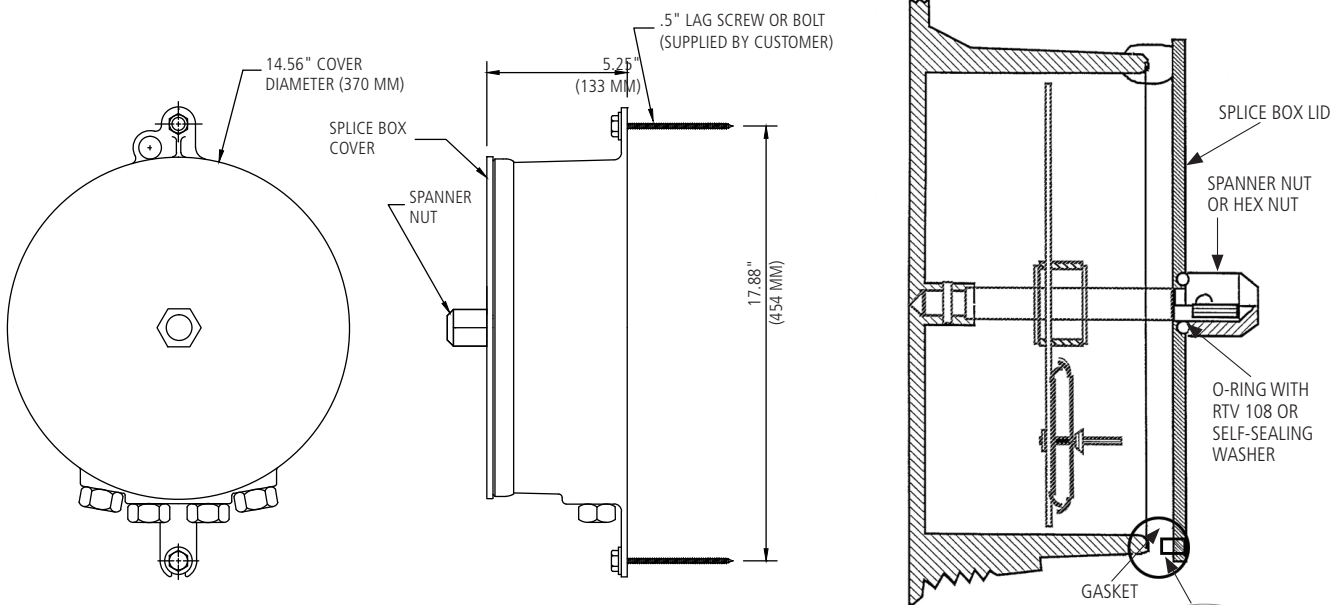
continued
→

SB01 Splice Enclosure (cont.)

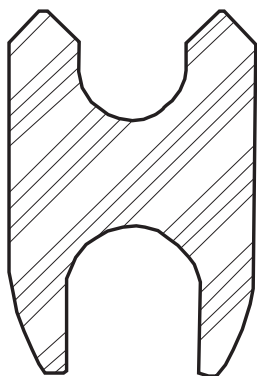
Specifications

PARAMETER	VALUE
Maximum Tray Capacity (depending on tray type)	4 ST1 Trays or 2 ST72 Trays
Maximum Fiber Count (depending on tray type)	48 with ST1; 144 with (2) ST72
Weight	52 lbs. (23.57 kg)
Diameter	14.56 in. (370 mm)
Height (with cover)	5.25 in (133.35 mm)
Mounting Distance (hole to hole)	17.88 in (454.15 mm)

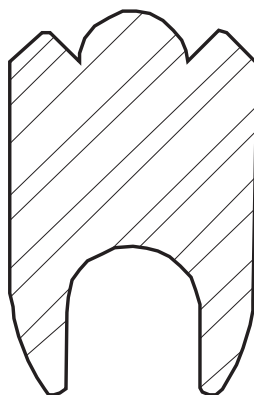
Dimensions



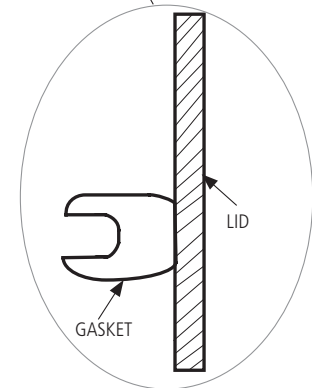
NOTE: Banding and steel tower adapters are available in lieu of bolts.



Old Gasket Design



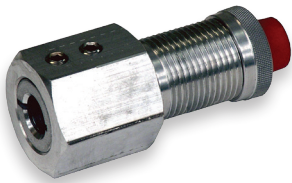
New Gasket Design
(AFL No. C11508-1)



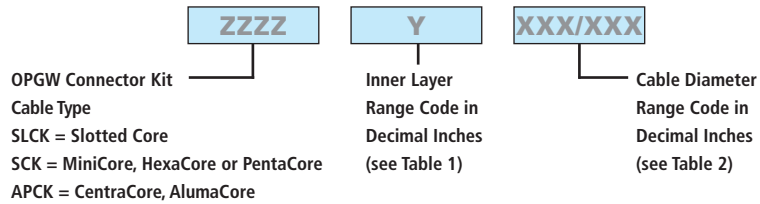
continued →

Connector Kits for Opti-Guard and SB01 Splice Enclosures—OPGW Cable

Connector Kit: Optical Ground Wire



Optical Ground Wire Connector Kit



Ordering Example: For 0.571" diameter SX-67/49/571, which has a layer 1 total diameter of 0.358", the AFL number is SCKB569/583.

Table 1 – Inner Layer Range Codes

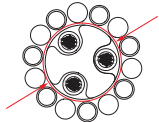
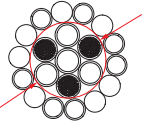
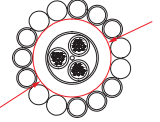
RANGE CODE	 SLOTTED CORE DIAMETER	 MINICORE, HEXACORE OR PENTACORE LAYER 1 DIAMETER	 CENTRACORE OR ALUMACORE PIPE DIAMETER
A	0.185 - 0.227	0.000 - 0.230	0.185 - 0.227
B	0.228 - 0.264	0.231 - 0.500	0.228 - 0.264
C	0.265 - 0.300	0.501 - 0.636	0.265 - 0.300
D	0.301 - 0.374	—	0.301 - 0.374
E	0.375 - 0.479	—	0.375 - 0.479
F	0.480 - 0.550	—	0.480 - 0.550
G	0.551 - 0.630	—	0.551 - 0.630
H	0.631 - 0.700	—	0.631 - 0.700

Table 2 – Cable Diameter Range Codes

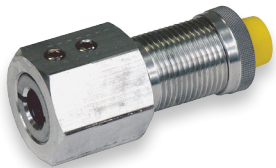
RANGE CODE	CABLE DIAMETER RANGE	
	MIN.	MAX.
225/240	0.225	0.240
241/255	0.241	0.255
256/271	0.256	0.271
272/286	0.272	0.286
287/302	0.287	0.302
303/318	0.303	0.318
319/333	0.319	0.333
334/349	0.334	0.349
350/365	0.350	0.365
366/380	0.366	0.380
381/396	0.381	0.396
397/412	0.397	0.412
413/427	0.413	0.427
428/443	0.428	0.443
444/459	0.444	0.459
460/474	0.460	0.474
475/490	0.475	0.490

RANGE CODE	CABLE DIAMETER RANGE	
	MIN.	MAX.
491/506	0.491	0.506
507/521	0.507	0.521
522/537	0.522	0.537
538/553	0.538	0.553
554/568	0.554	0.568
569/583	0.569	0.583
584/599	0.584	0.599
600/615	0.600	0.615
616/630	0.616	0.630
631/646	0.631	0.646
647/662	0.647	0.662
663/677	0.663	0.677
678/693	0.678	0.693
694/708	0.694	0.708
709/727	0.709	0.727
728/740	0.728	0.740

continued →

Connector Kits for Opti-Guard and SB01 Splice Enclosures— Black Jacket Cable

Connector Kit: All-Dielectric Self-Supporting Fiber Optic Cable



All-Dielectric Self-Supporting Connector Kit

BCK

Black Jacket Cable
Connector Kit

XXX/XXX

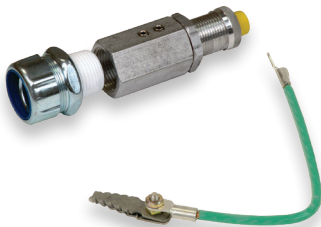
Range Code in
Decimal Inches
(see Table 1 below)

F

Blank = No Additional Connector
Assembly Required
F = 1" Flex Conduit Connector Required

Ordering Example: For 0.528" diameter ADSS, the AFL number is BCK522/537.

Connector Kit: Loose Tube Fiber Optic Cable



Armored Loose Tube Connector Kit

BCK

Black Jacket Cable
Connector Kit

XXX/XXX

Range Code in
Decimal Inches
(see Table 1 below)

B

Options
Blank = No Additional Connector
Assembly Required
F = 1" Flexible Conduit Connector Required
A = Armor Ground Assembly Required
B = Armor Ground Assembly and 1" Flexible
Conduit Connector Required

Ordering Example: For 0.510" armored loose tube (duct) cable with flexible conduit and armor ground connections, the AFL number is BCK507/521B.

Table 1

RANGE CODE	CABLE DIAMETER RANGE	
	MIN.	MAX.
225/240	0.225	0.240
241/255	0.241	0.255
256/271	0.256	0.271
272/286	0.272	0.286
287/302	0.287	0.302
303/318	0.303	0.318
319/333	0.319	0.333
334/349	0.334	0.349
350/365	0.350	0.365
366/380	0.366	0.380
381/396	0.381	0.396
397/412	0.397	0.412
413/427	0.413	0.427
428/443	0.428	0.443
444/459	0.444	0.459
460/474	0.460	0.474
475/490	0.475	0.490

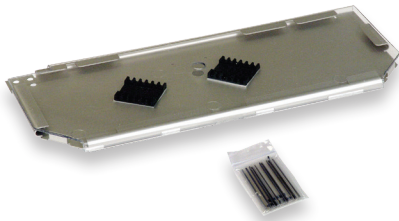
RANGE CODE	CABLE DIAMETER RANGE	
	MIN.	MAX.
491/506	0.491	0.506
507/521	0.507	0.521
522/537	0.522	0.537
538/553	0.538	0.553
554/568	0.554	0.568
569/583	0.569	0.583
584/599	0.584	0.599
600/615	0.600	0.615
616/630	0.616	0.630
631/646	0.631	0.646
647/662	0.647	0.662
663/677	0.663	0.677
678/693	0.678	0.693
694/708	0.694	0.708
709/727	0.709	0.727
728/740	0.728	0.740

continued →

SB01 Splice Enclosures Accessories

Ordering Instructions – Step 3

The SB01 includes accessories that allow for up to 12 fiber splices. Additional components shown below may be ordered when more than 12 splices are required.



Splice Tray

The SB01 Splice Tray organizes and protects the fiber splices.

Features

- 12 single-fused fiber splice capacity
- Includes 13 splice protection sleeves

Ordering Information

MODEL	AFL NO.
SB01 Splice Tray	ST1



TT1 Transition Tray

The SB01 Transition Tray is used to divide fibers into groups for routing into splice trays. To be used for OPGW cables containing stainless steel tubes.

Features

- 48 fiber capacity
- Used in conjunction with SB01 Furcation Kit
- Not required for ST1-72 tray
- Not required with AlumaCore OPGW designs

Ordering Information

MODEL	AFL NO.
SB01 Transition Tray	TT1



72 Fiber Splice Tray

The 72 Fiber Splice Tray is used to organize and protect up to 72 single fused fibers in the SB01 splice enclosure.

Features

- 72 single-fused fiber splice capacity
- Protection sleeves sold separately

Ordering Information

MODEL	AFL NO.
72 Fiber Splice Tray	ST1-72



SB01 Furcation Kit

The SB01 Furcation Kit includes the materials required to properly divide fibers into groups inside the SB01 splice enclosure.

Features

- Contains tubing to protect and guide fibers inside the splice enclosure
- Includes cable ties to secure buffer tubes to the splice tray

Ordering Information

MODEL	AFL NO.
SB01 Furcation Kit	SB01FK

CB-30-3AL External Coil Bracket

Features

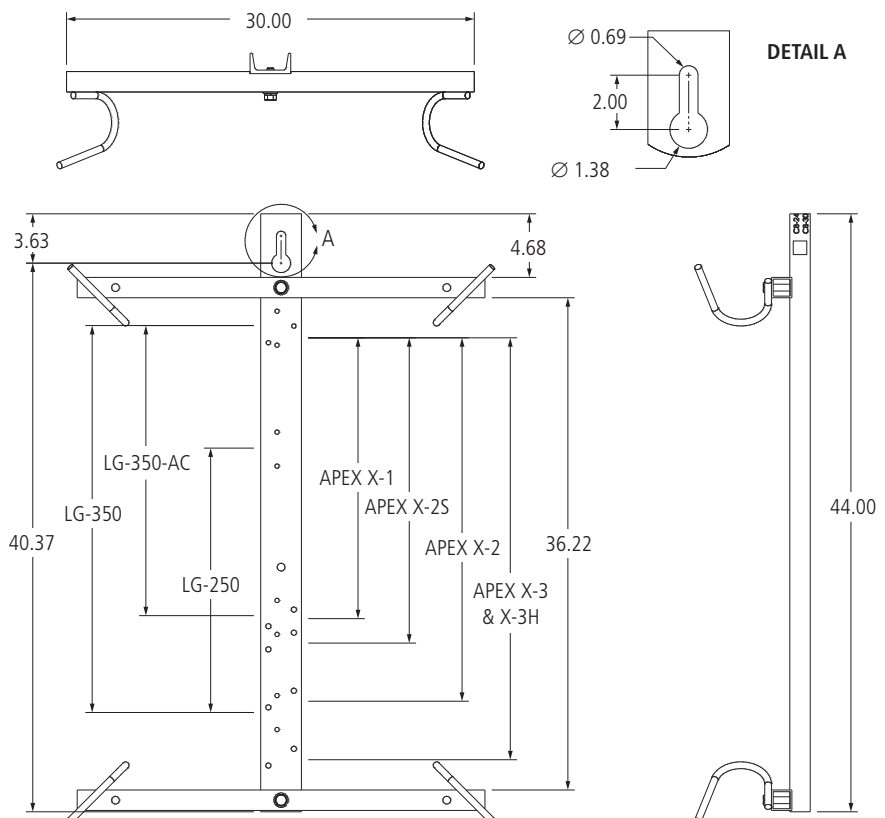
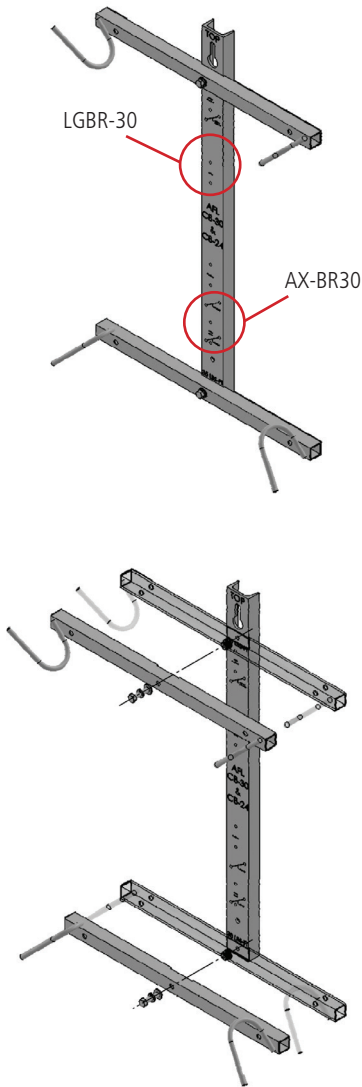
- Stores extra length of AFL-ADSS® cable
- Aluminum Material
- For use with AFL's Apex® models (X-2, X-2S, X-3, X-3H) LG-250, LG-350 and LG-350-AC sealed splice closures
- Shipped in three pieces and requires field assembly
- Can be bolted or banded to structure
- Mounting bracket available for Apex® and LG Series Sealed Splice Closures

Estimated Cable Storage Lengths and Loading Capacity

CABLE O.D. (IN)	ESTIMATED CABLE LENGTH (FT)	LOADING CAPACITY (LBS)
0.50	250	400
0.75	150	
1.00	100	

NOTE: For cable storage capacity greater than either of the values in table, please contact AFL.

Installation Diagram



INSTALLATION NOTES:

1. Place tube assemblies in location as shown at right.
2. Stainless steel bolts to be torqued to 35 lbs-ft.

Ordering Information

MODEL	AFL NO.
CB-30-3AL ADSS Coil Storage Bracket for LG Series Sealed Splice Closures	CB-30-3AL
Pole/wall mount kit for Apex X-2 and X-2S Sealed Splice Closures	AX-BR30
Pole/wall mount kit for Apex X-3 and X-3H Sealed Splice Closures	AX-BR33
Mounting Bracket for LG Series Sealed Splice Closures	LGBR-30

CB-44-3AL External Coil Bracket

Features

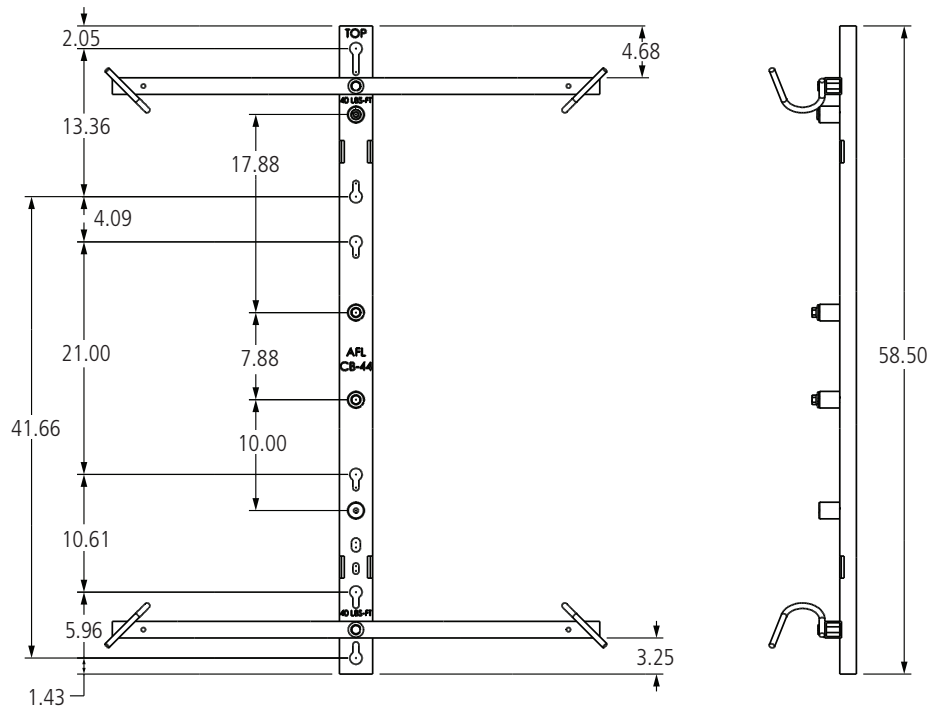
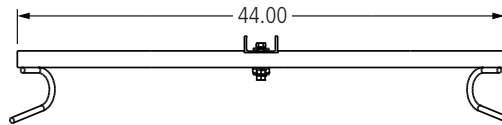
- Stores extra length of ADSS or OPGW
- Aluminum Material
- For use with SB01 and Opti-Guard splice enclosures
- Shipped in three pieces, requires field assembly
- Can be bolted or banded to structure

Estimated Cable Storage Lengths and Loading Capacity

CABLE O.D. (IN)	ESTIMATED CABLE LENGTH (FT)	LOADING CAPACITY (LBS)
0.50	400	400
0.75	200	
1.00	150	

NOTE: For cable storage capacity greater than either of the values in table, please contact AFL.

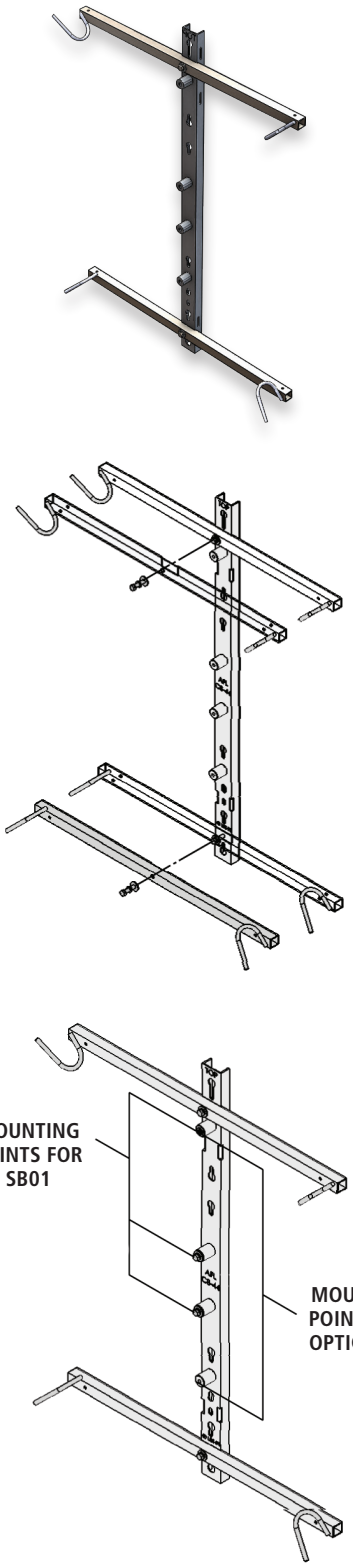
Dimensions



NOTE:
Place tube assemblies in location as shown.

Ordering Information

MODEL	AFL NO.
CB-44-3AL External Coil Bracket	CB-44-3AL





Sealed Fiber Optic Splice Closures

AFL's sealed fiber optic splice closures are designed to simplify splice management and maintenance. Intuitive engineering design reduces the installation time and complexity associated with fiber splicing in the field. No heat, adhesives, drills or powered equipment for installation or re-entry are required, just simply use a common can wrench to access and install cable. These closures are durable, easy-to-install and will increase productivity, reduce labor expenses, and last the life of your plant.

Features

- LG Series closures support stranded loose tube, Uniflex or ribbon fiber cables in either armored or dielectric configurations
- New Apex® Sealed Closures also support "rollable ribbon" fiber types including AFL's SpiderWeb Ribbon® (SWR®)
- Fully sealed to protect fiber and splices ensuring longevity
- Fully kitted with all parts to install cables

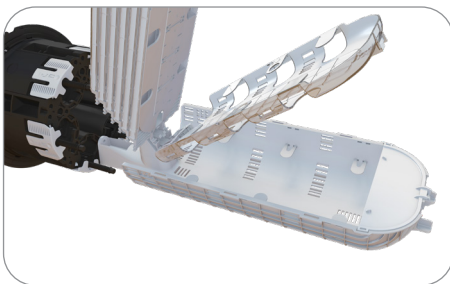
Specifications

DESCRIPTION	MODEL							
	LG-55-U-0	APEX X-2	APEX X-2S	LG-150-U-0	LG-250-U-0	LG-350-U-0	LG-350-AC	LG-350XL-U-0
Splice Capacity (Max.) – Single, Mass, Mechanical	24, n/a, 24	432, 3456, 864	216, 1728, 432	48, 192, 48	144, 432, 48	480, 1152, 108 ²	144, 432, 48	864, 2592, 288
Number of Splice Trays (Max.) – Single, Mass, Mechanical	1, n/a, 1	6		4, 3, 4		12, 8, 8	4, 3, 4	9, 9, 9
Cable Entrance Configuration	In-line / Butt	Butt						
Cable Ports	2	6		5			2 (Express Grommets) 3 (4-Drop Grommets)	5 (7 using dual port grommet Express sides)
Cable Sizes (Max. O.D.) in. (mm)	2 @ 0.70 (17.78) (splice)	Single Port: 0.40- 1.10 (10.0 - 28.0) Multi-Drop Kit: 0.20 - 0.39 (5.0 - 9.9) or flat drop		5 @ 0.62 (15.748)		3 @ 0.80 (20.32) 2 @ 1.00 (25.4)	2 @ 1.0 (25.4) 12 @ 0.312 (7.9248) Flat or 0.250" (6.35) Round	3 @ 1.08 (27.432) 2 @ 1.18 (29.972)
Testing - Cable Retention (100 lbs) - Water Resistance (waterhead) - Impact Resistance (0-40 °C) - Chemical Resistance - Cable Flexing	Passed 20 ft. Passed Passed Passed	—	—				Passed 20 ft. Passed Passed Passed	
Dimensions – (L x D) in. (mm)	14.00 x 4.00 (35.6 x 10.16)	25.0 x 12.0 (64 x 30)	20.0 x 12.0 (51 x 30)	16.25 x 8.75 (412.75 x 222.3)	19.0 x 8.75 (482.6 x 222.3)	28.00 x 10.00 (71.12 x 25.4)	20 x 10 (51 x 25.4)	31.00 x 12.00 (78.74 x 30.48)
Weight – lbs. (kg)	3.0 (1.36)	25 (11.3)	22 (10)	10.5 (4.76)	10.5 (4.76)	16 (7.26)	12.0 (5.44)	25 (11.34)

NOTES: 1. For the LG-250-U-0; 36 mechanical splices only using the LL-2448 splice tray.
2. For the LG-350-U-0; 108 mechanical splices only using the LL-2448 splice tray.

Qualifications

GOVERNING BODY	STANDARD CODE
Telcordia	GR-771
Rural Utilities Service (RUS)	Listed



Open to access Apex X-3 splice trays and lock at 72 degrees

Apex® X-3 Sealed Splice Closure

The Apex X-3 is a sealed splice closure designed for protecting optical fiber splices in both above- or below-grade applications in a butt configuration. The Apex X-3 is capable of up to 864 single fusion, 1296 mass fusion with standard ribbon, or 5184 (200 μm, 2592 max for 250 μm) mass fusion with “rollable ribbon” fiber types such as AFL’s SpiderWeb Ribbon® (SWR®). Cables are sealed by a unique wedge system spaced evenly around the circumference of the closure’s base. Each cable seal is opened by a press-to-release lever and sealing is completed by actuating a single screw for each cable. Each cable is sealed individually, ensuring original craftsmanship when cables may be added at a later date. Up to 6 splice trays are attached and hinge off a central organizer. A plastic slack storage basket resides underneath the trays with ample tie down points for managing tube and fiber slack.

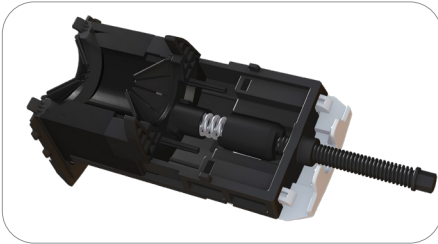
Features

- Individual cable sealing ports with tool-less release mechanism and gel sealing
- Hinging, lockable splice trays
- Plastic slack storage basket with optional segmented basket to separate ribbon and loose tube slack storage
- Six cable ports with up to six ground lugs
- Capable of up to 16 drop cables with an expressed distribution cable using multi-drop entry kits
- Splice trays with universal splice modules capable of holding single fusion, mass fusion and mechanical splices as well as other devices such as passive optical splitters
- Dome-to-base O-ring seal retained into dome to prevent loss or damage, but is still replaceable if necessary

Specifications

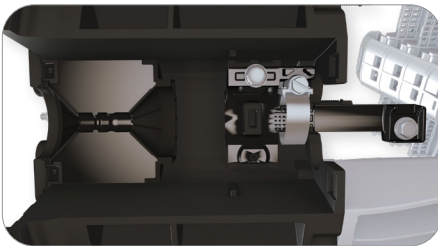
PARAMETER	VALUE
Dimensions – L x D, in (cm)	32.0 x 14 (81.3 x 35.6)
Weight, No Trays – lb (kg)	30 lbs. (13.61 kg)
Splice Capacity – Single, Mass (SWR), Mass (Standard)	864, 5184, 1296
Splice Tray Capacity	6
Cable Diameter, Single Port, in (mm)	0.40" - 1.38" (10.16 - 35.052)
Cable Diameter, Multi-Drop Kit, in (mm)	0.20" – 0.39" (5.0 – 9.9) or flat drop
Application	Direct Bury, Handhole, Aerial, Pole/Wall
Designed in accordance with Telcordia GR-771	Up to 10 ft. water-head

Apex® X-3 Sealed Splice Closure



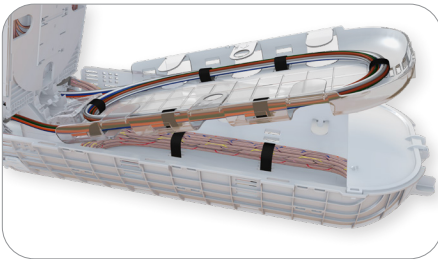
Gel Sealing

Individual wedges located evenly around the circumference of the base are removed with the press of a button. When cables are in place and ready to be sealed, the gel is compressed by a single screw, decreasing installation time. Individual port seals ensure cables never become unsealed when adding new cables at a later date.



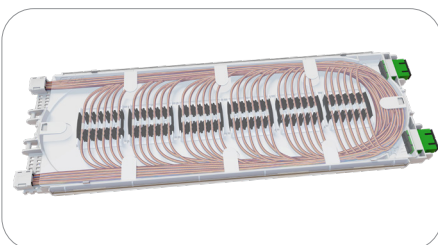
Cable Entry Ports and Cable Attachment Unit (CAU)

The cable entry ports surrounding the circumference of the base accept single cables from 0.4" to 1.38" in diameter. These ports can be expanded through the use of optional drop cable entry kits, allowing up to 4 flat drops or cables from 0.2" to 0.39" to use a single port. Additionally, each port has the capability to be paired with its own grounding lug if necessary. Closures can be configured with enough CAU kits for 0 to 6 cables from the factory. For closures with less than 6, additional cables can be added through the use of additional cable strain relief kits sold separately.



Slack Storage

A molded slack storage basket allows for use of the entire cross section of the closure to maximize storage. An optional segmented hinging basket is available to separate ribbon and loose tube slack, and can be locked in the upward position for access to expressed fibers below.



Splice Trays with Modular Splice Holders

Splice trays are organized in a hinging array that automatically lock when tilted to the upward position for easy access to the splice trays and slack storage below. The universal splice module holds up to 24 single fusion quad-stacked, 6 mass fusion or 12 mass fusion double-stacked when using SWR, or 6 mechanical splices as well as devices such as PLC splitters. This eliminates the need for specifying and stocking multiple splice trays for multiple applications such as WDM and PLC Splitters, (photo at left shown with ASC bulkhead test ports installed). This can be mix-and-match.

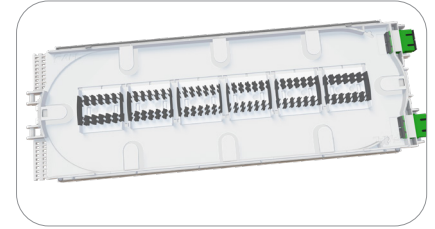
Ordering Information

AX	3	B	L	0	2	6	B
APEX CLOSURES	CLOSURE SIZE	BASKET TYPE	TRAY TYPE	NUMBER OF TRAYS	CABLE STRAIN RELIEF HARDWARE KITS	NUMBER OF GROUND LUGS	INNER BASKET
	3 = X-3 Size	B = X-3 Sized Basket	X = No preinstalled tray L = X-3 Square Tray Loaded with splice modules	0 1 2 3 4 5 6	0 1 2 3 4 5 6	0 1 2 3 4 5 6	X = No Inner Basket B = Include Inner Basket

Apex® X-3 Sealed Splice Closure

Splice Trays and Splice Modules

Apex X-3 closures utilize X-3 square splice trays. Trays can be ordered empty or fully loaded with splice modules. For "rollable" type ribbon such as AFL's SpiderWeb Ribbon®, closures can be fully loaded with 6 splice trays for 5184 SWR or 864 quad-stacked single fiber splices or 144 fibers per tray. For standard ribbon, AFL recommends half loaded for 18 mass splices single-stacked, or 216 fibers per tray.



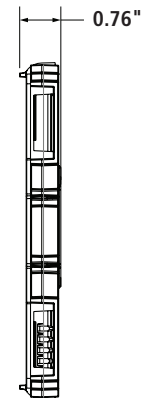
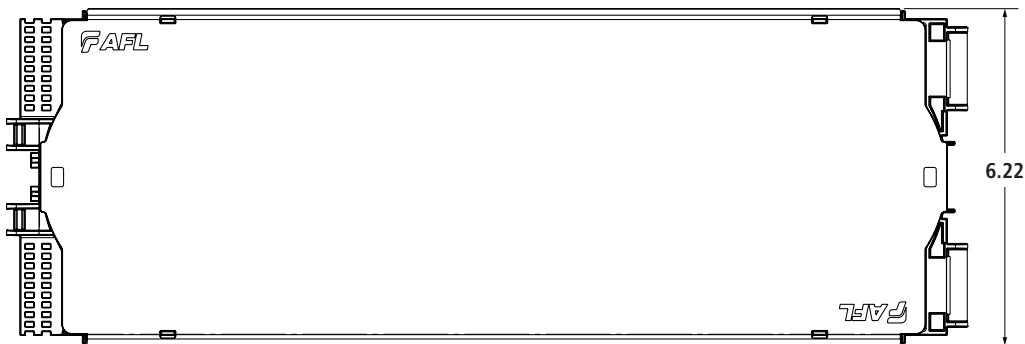
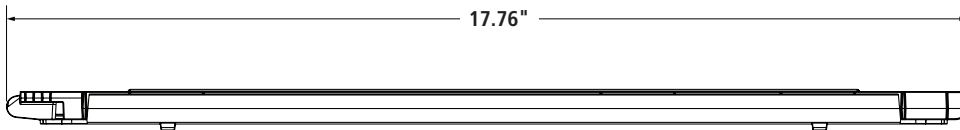
Ordering Information

DESCRIPTION	TRAY CAPACITY		AFL NO.
	SINGLE	MASS	
X-3 Tray Fully Loaded with Six (6) Splice Modules (864 fibers per tray only recommended for rollable ribbon, e.g. AFL SWR)	108 triple stacked 144 quad stacked**	864**	AX-TRAY-3-S-6
Additional splice module (18 single fusion double/quad stacked, 12 mass fusion double stacked, 6 mechanical) Pack of 20	–	–	AX-TRAY-MOD-20
X-3 Square Tray Empty	–	–	AX-TRAY-3-S-E
FP-40 40 mm Single Fiber Slim Protection Sleeve	–	–	S018262
FP-60 60 mm Single Fiber Slim Protection Sleeve	–	–	S018263

* 864 fibers per tray with mass fusion (5184 total closure capacity) only recommended for 200 µm type rollable ribbon. For 250 µm, cut capacity in half with single-stacking.

** When using AFL's Slim Protection Sleeves

Dimensions



Apex® X-3 Sealed Splice Closure

Installation Kits and Accessories

The AFL Apex closure line has a variety of installation accessories kits to fit many applications. Additional accessories may be available. Contact AFL.



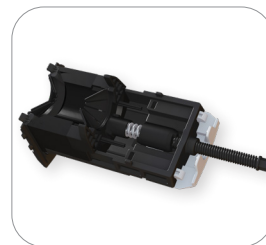
CAU Kit



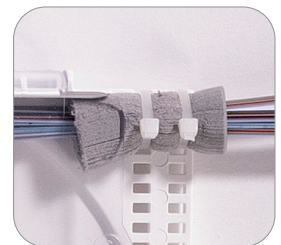
Ring Clamp Replacement Kit



O-Ring Grease



Wedge Replacement Kit



Foam Retention

Ordering Information — Replacement Kits

DESCRIPTION	AFL NO.
REPLACEMENT KITS	
X-3 and X-3H Single Cable Strain Relief/Cable Attachment Unit (CAU) Kit	AX-KIT-CBLSTRN-3
X-3 and X-3H Dome-to-Base Locking Ring Clamp Replacement Kit	AX-KIT-CLAMP-3
X-3 and X-3H Dome Replacement Kit	AX-KIT-DOME-3
X-3 and X-3H Inner Base Gel Replacement Kit	AX-KIT-GEL-3
X-3 Inner Basket Kit	AX-KIT-SBASKET-3
Apex O-Ring Grease, Pack of 10	AX-KIT-GREASE-10
X-3 and X-3H Dome to Base O-Ring Replacement Kit	AX-KIT-ORING-3
X-3 and X-3H Wedge Replacement Kit	AX-KIT-WEDGE-3
WTC-SWR Bundle Splice Tray Retention Kit - Includes 25 foam grommets for retaining SWR bundles to splice trays	HW000406
Velcro, 75 Foot Length Roll – For securing SWR bundles in the slack basket	FC001759



Apex Aerial Hanger Bracket



Apex Pole/Wall Mount



Adjustable Aerial Hanger Bracket



Mesh Transition Tubing



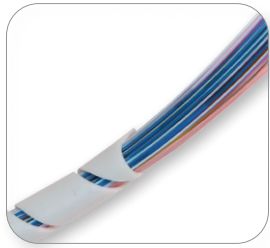
Universal Installation Stand

Ordering Information — Accessories

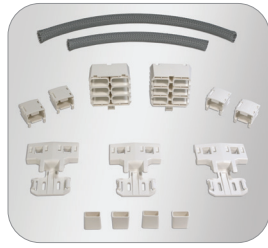
DESCRIPTION	AFL NO.
ACCESSORIES	
X-3 and X-3H Pole/wall mount kit	AX-BR33
Aerial strand mount hanger kit	AX-KIT-AERIAL-1
Adjustable Aerial Strand Mount Hanger kit	AX-KIT-AERIAL-ADJ
ADSS Aerial hanger brackets	AX-KIT-AERIAL-ADSS
X-3 and X-3H Multi-Drop Cable Entry Kit (fits up to 4 cables 0.20" to 0.39" in diameter or flat drop cable)	AX-KIT-DROP-4-3
Apex Internal Multiple Ground Bonding Kit	AX-KIT-GNDLD-5
Apex Cable Bonding Kit (Bonds armored cable sheath to ground) – Pack of 10	AX-KIT-GROUND-10
1/4" Colored Mesh Transition Tubing, 250' Spool (*Replace "XX" with color per TIA-598 color code - BL, OR, GR, BR, SL, WH, RD, BK, YL, VI, RS or AQ)	AX-KIT-TUBE-014-XX*
Apex Universal Installation Stand	AX-KIT-U-STAND

Apex® X-3 Sealed Splice Closure

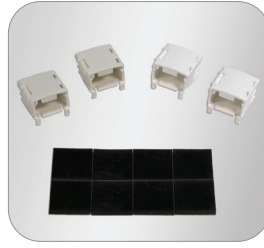
Installation Accessories (cont.)



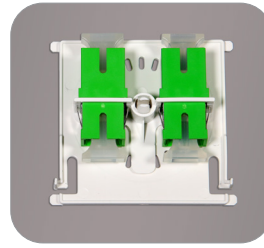
Silicone Spiral Wrap



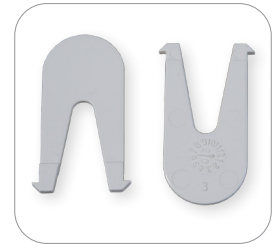
AFRS Kit 1



AFRS Kit 2



SC Bulkhead Adapter Kit



Replacement Slack Storage Basket Tabs

Ordering Information — Accessories

DESCRIPTION	AFL NO.
ACCESSORIES	
Silicone Spiral Wrap, 5.5 Foot Length	FC001657
Apex Advanced Fiber Retention System (AFRS) Kit 1 – Used for Ribbon Cable (Flat Matrix, SWR, Tubed, Central Core). Kit includes: Mesh Basket Adapter (2 ea.), Mesh Housing (2 ea.), Mesh Insert (24 ea.), V-Clips (12 ea.), and Clean Cut Gray Mesh (13 ft.).	AX-KIT-AFRSRBN
Apex AFRS Kit 2 – Used for Loose Tube Cable. Kit includes: V-Clip (24 ea.) and Retention Pads (6 sheets of 8 pads)	AX-KIT-AFRSLT
Apex AFRS Kit 3 – V-Clip bulk kit. Includes: V-Clips (120 ea.) and Mesh Inserts (120 ea.)	AX-KIT-AFRSVC-120
Apex AFRS Kit 4 – Mesh bulk kit. Includes: Clean Cut Gray Mesh (100 ft.)	AX-KIT-AFRSMESH-100FT
Apex AFRS Kit 5 – Mesh Housing bulk kit. Includes: Mesh Basket Adapter (10 ea.) and Mesh Housing (10 ea.)	AX-KIT-AFRSAH-10
Apex AFRS Kit 6 – Mesh Basket Adapter bulk kit. Includes: Mesh Basket Adapter (10 ea.)	AX-KIT-AFRSA-10
Apex Bulkhead Kit with Plate SC/APC Adapters, 1 kit	AX-TRAY-ASC
Apex Bulkhead Kit with Plate with SC/UPC Adapters, 1 kit	AX-TRAY-USC
Apex Bulkhead Kit with Plate SC/APC Adapters, 6 pc kit	AX-TRAY-ASC-6
Apex Bulkhead Kit with Plate SC/UPC Adapters, 6 pc kit	AX-TRAY-USC-6
Apex Replacement Slack Storage Basket Tabs – Pack of 25	AX-KIT-BTAB-25



Apex® X-3H Sealed Splice Closure

The Apex X-3H is a sealed splice closure designed for protecting optical fiber splices in both above- or below-grade applications in a butt configuration. The Apex X-3H is capable of up to 1728 mass fusion with standard ribbon or 6912 (200 μm, 3456 max for 250 μm) mass fusion with “rollable ribbon” fiber types such as AFL’s SpiderWeb Ribbon® (SWR®). Cables are sealed by a unique wedge system spaced evenly around the circumference of the closure’s base. Each cable seal is opened by a press-to-release lever and sealing is completed by actuating a single screw for each cable. Each cable is sealed individually, ensuring original craftsmanship when cables may be added at a later date. Up to 8 splice trays are attached and hinge off a central organizer. A plastic slack storage basket resides underneath the trays with ample tie down points for managing tube and fiber slack.



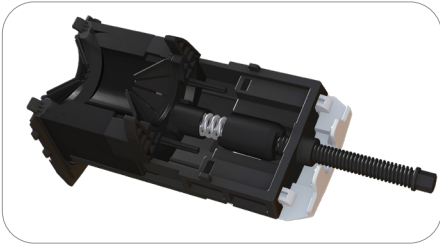
Features

- Individual cable sealing ports with tool-less release mechanism and gel sealing
- Hinging, lockable splice trays
- Plastic slack storage basket designed for high count WTC with SWR and other rollable ribbon cable
- Six cable ports with up to six ground lugs
- Optimized for 6912 200 μm fiber end splice
- Splice trays with universal splice modules capable of holding single fusion, mass fusion and mechanical splices as well as other devices such as passive optical splitters
- Dome-to-base O-ring seal retained into dome to prevent loss or damage, but is still replaceable if necessary

Specifications

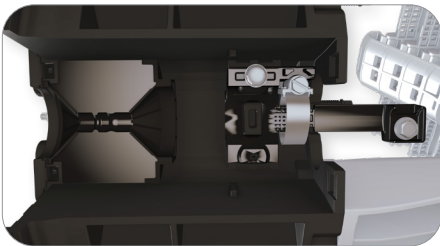
PARAMETER	VALUE
Dimensions – L x D, in (cm)	32.0 x 14 (81.3 x 35.6)
Weight, No Trays – lb (kg)	30 (13.6)
Splice Capacity – Mass (SWR), Mass (Standard)	6912, 1728
Splice Tray Capacity	8
Cable Diameter, Single Port, in (mm)	0.40" - 1.38" (10.16 - 35.052)
Application	Handhole, Aerial, Pole/Wall, Direct Bury

Apex® X-3H Sealed Splice Closure



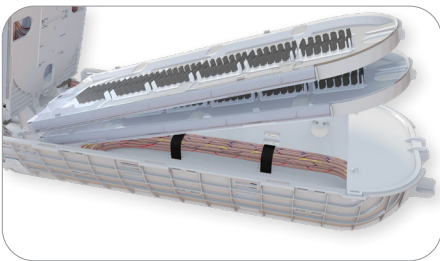
Gel Sealing

Individual wedges located evenly around the circumference of the base are removed with the press of a button. When cables are in place and ready to be sealed, the gel is compressed by a single screw, decreasing installation time. Individual port seals ensure cables never become unsealed when adding new cables at a later date.



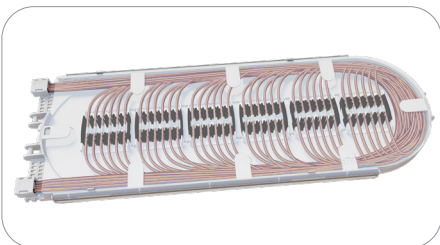
Cable Entry Ports and Cable Attachment Unit (CAU)

The cable entry ports surrounding the circumference of the base accept single cables from 0.4" to 1.38" in diameter. Additionally, each port has the capability to be paired with its own grounding lug if necessary. Closures can be configured with enough strain relief kits for 0 to 6 cables from the factory. For closures with less than 6, additional cables can be added through the use of additional cable strain relief kits sold separately.



Slack Storage

A molded slack storage basket allows for use of the entire cross section of the closure to maximize storage.



Splice Trays with Modular Splice Holders

Apex X-3H round splice trays are organized in a hinging array that automatically lock when tilted to the upward position for easy access to the splice trays and slack storage below. The Apex X-3H round splice trays are only compatible with the X-3H closure. The universal splice module holds up to 24 single fusion, 6 mass fusion or 12 mass fusion double-stacked when using SWR, or 6 mechanical splices as well as devices such as PLC splitters. This eliminates the need for specifying and stocking multiple splice trays for multiple applications.

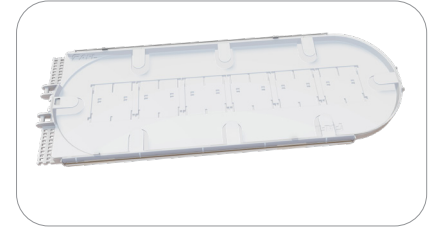
Ordering Information

AX	—	3H	—	B	—	L	—	0	—	2	—	6	—	X
APEX CLOSURES		CLOSURE SIZE		BASKET TYPE		TRAY TYPE		NUMBER OF TRAYS		CABLE STRAIN RELIEF HARDWARE KITS		NUMBER OF GROUND LUGS		INNER BASKET
		3H = X-3H Size		B = X-3H Sized Basket		X = No preinstalled tray L = X-3 Square Tray Loaded with splice modules		0 OR 8		0 1 2 3 4 5 6		0 1 2 3 4 5 6		X = No Inner Basket

Apex® X-3H Sealed Splice Closure

Splice Trays and Splice Modules

Apex X-3H closures utilize X-3H round splice trays. Trays can be ordered empty or fully loaded with splice modules. For “rollable” type ribbon such as AFL’s SpiderWeb Ribbon®, trays can be fully loaded for 72 double-stacked mass splices, or 864 fibers per tray. For standard ribbon, AFL recommends half loaded for 18 mass splices single-stacked, or 216 fibers.



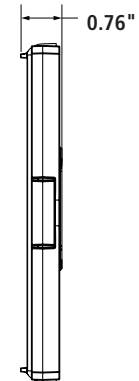
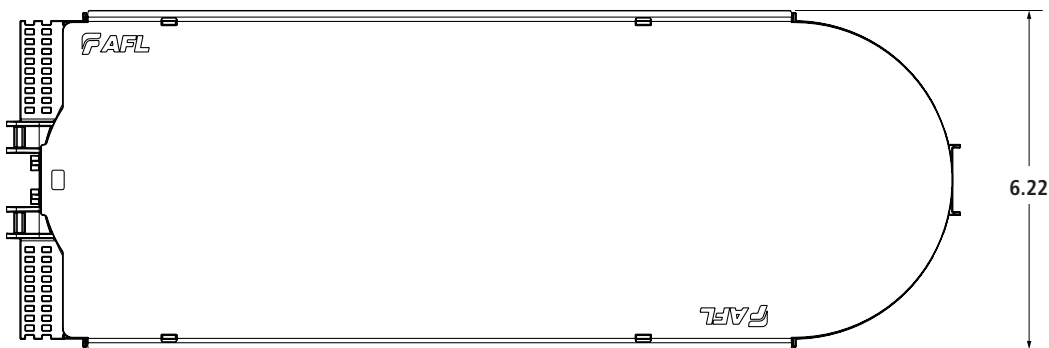
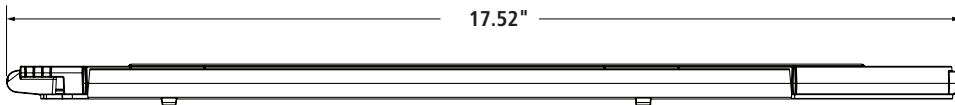
Ordering Information

DESCRIPTION	MASS	AFL NO.
	X-3H Tray Fully Loaded with Six (6) Splice Modules (864 fibers per tray only recommended for rollable ribbon, e.g. AFL SWR)	864**
Additional splice module (18 single fusion triple stacked, 12 mass fusion double stacked, 6 mechanical) – Pack of 20	–	AX-TRAY-MOD-20
X-3H Round Tray Empty	–	AX-TRAY-3-R-E
FP-40 40 mm Single Fiber Slim Protection Sleeve	–	S018262
FP-60 60 mm Single Fiber Slim Protection Sleeve	–	S018263

* 864 fibers per tray with mass fusion (6912 total closure capacity) only recommended for 200 μm type rollable ribbon. For 250 μm, cut capacity in half with single-stacking.

** When using AFL’s Slim Protection Sleeves

Dimensions



Apex® X-3H Sealed Splice Closure

Installation Kits and Accessories

The AFL Apex closure line has a variety of installation accessories kits to fit many applications. Additional accessories may be available. Contact AFL.



CAU Kit



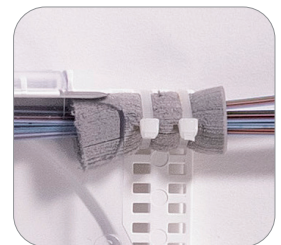
Ring Clamp Replacement Kit



O-Ring Grease Kit



Wedge Replacement Kit



Foam Retention

Ordering Information — Replacement Kits

DESCRIPTION	AFL NO.
REPLACEMENT KITS	
X-3 and X-3H Single Cable Strain Relief/Cable Attachment Unit (CAU) Kit	AX-KIT-CBLSTRN-3
X-3 and X-3H Dome-to-Base Locking Ring Clamp Replacement Kit	AX-KIT-CLAMP-3
X-3 and X-3H Dome Replacement Kit	AX-KIT-DOME-3
X-3 and X-3H Inner Base Gel Replacement Kit	AX-KIT-GEL-3
Apex O-Ring Grease, Pack of 10	AX-KIT-GREASE-10
X-3 and X-3H Dome to Base O-Ring Replacement Kit	AX-KIT-ORING-3
X-3 and X-3H Wedge Replacement Kit	AX-KIT-WEDGE-3
WTC-SWR Bundle Splice Tray Retention Kit - Includes 25 foam grommets for retaining SWR bundles to splice trays	HW000406
Velcro, 75 Foot Length Roll – For securing SWR bundles in the slack basket	FC001759



Apex Aerial Hanger Bracket



Apex Pole/Wall Mount



Adjustable Aerial Hanger Bracket



Mesh Transition Tubing

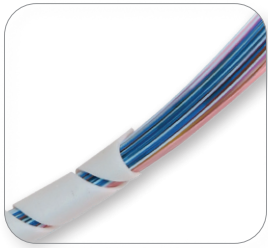


Universal Installation Stand

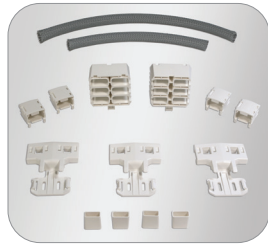
Ordering Information — Accessories

DESCRIPTION	AFL NO.
ACCESSORIES	
X-3 and X-3H Pole/wall mount kit	AX-BR33
Aerial strand mount hanger kit	AX-KIT-AERIAL-1
Adjustable Aerial Strand Mount Hanger kit	AX-KIT-AERIAL-ADJ
ADSS Aerial hanger brackets	AX-KIT-AERIAL-ADSS
X-3 and X-3H Multi-Drop Cable Entry Kit (fits up to 4 cables 0.20" to 0.39" in diameter or flat drop cable)	AX-KIT-DROP-4-3
Apex Internal Multiple Ground Bonding Kit	AX-KIT-GNDLD-5
Apex Cable Bonding Kit (Bonds armored cable sheath to ground) – Pack of 10	AX-KIT-GROUND-10
1/4" Colored Mesh Transition Tubing, 250' Spool (*Replace "XX" with color per TIA-598 color code - BL, OR, GR, BR, SL, WH, RD, BK, YL, VI, RS or AQ)	AX-KIT-TUBE-014-XX*
Apex Universal Installation Stand	AX-KIT-U-STAND

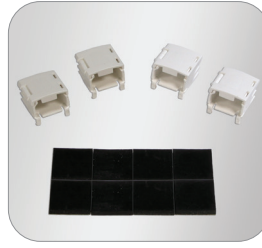
Apex® X-3H Sealed Splice Closure



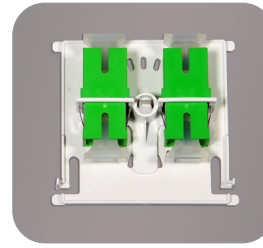
Silicone Spiral Wrap



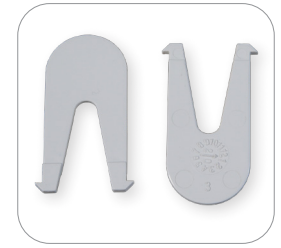
AFRS Kit 1



AFRS Kit 2



SC Bulkhead Adapter Kit



Replacement Slack Storage Basket Tabs

Ordering Information — Accessories

DESCRIPTION	AFL NO.
ACCESSORIES	
Silicone Spiral Wrap, 5.5 Foot Length	FC001657
Apex Advanced Fiber Retention System (AFRS) Kit 1 – Used for Ribbon Cable (Flat Matrix, SWR, Tubed, Central Core). Kit includes: Mesh Basket Adapter (2 ea.), Mesh Housing (2 ea.), Mesh Insert (24 ea.), V-Clips (12 ea.), and Clean Cut Gray Mesh (13 ft.).	AX-KIT-AFRSRBN
Apex AFRS Kit 2 – Used for Loose Tube Cable. Kit includes: V-Clip (24 ea.) and Retention Pads (6 sheets of 8 pads)	AX-KIT-AFRSLT
Apex AFRS Kit 3 – V-Clip bulk kit. Includes: V-Clips (120 ea.) and Mesh Inserts (120 ea.)	AX-KIT-AFRSVC-120
Apex AFRS Kit 4 – Mesh bulk kit. Includes: Clean Cut Gray Mesh (100 ft.)	AX-KIT-AFRSMESH-100FT
Apex AFRS Kit 5 – Mesh Housing bulk kit. Includes: Mesh Basket Adapter (10 ea.) and Mesh Housing (10 ea.)	AX-KIT-AFRSAH-10
Apex AFRS Kit 6 – Mesh Basket Adapter bulk kit. Includes: Mesh Basket Adapter (10 ea.)	AX-KIT-AFRSA-10
Apex Bulkhead Kit with Plate SC/APC Adapters, 1 kit	AX-TRAY-ASC
Apex Bulkhead Kit with Plate with SC/UPC Adapters, 1 kit	AX-TRAY-USC
Apex Bulkhead Kit with Plate SC/APC Adapters, 6 pc kit	AX-TRAY-ASC-6
Apex Bulkhead Kit with Plate SC/UPC Adapters, 6 pc kit	AX-TRAY-USC-6



Apex® X-2 Sealed Splice Closure

The Apex X-2 is a sealed splice closure designed for protecting optical fiber splices in both above- or below-grade applications in a butt configuration. The Apex X-2 is capable of up to 576 single fusion, 1152 mass fusion with standard ribbon, or 3456 (200 μm, 1728 max for 250 μm) mass fusion with “rollable ribbon” fiber types such as AFL’s SpiderWeb Ribbon® (SWR®). Cables are sealed by a unique wedge system spaced evenly around the circumference of the closure’s base. Each cable seal is opened by a press-to-release lever and sealing is completed by actuating a single screw for each cable. Each cable is sealed individually, ensuring original craftsmanship when cables may be added at a later date. Up to 6 splice trays are attached and hinge off a central organizer. A plastic slack storage basket resides underneath the trays with ample tie down points for managing tube and fiber slack.

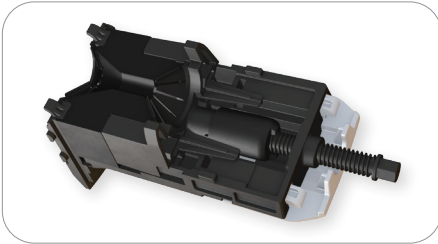
Features

- Individual cable sealing ports with tool-less release mechanism and gel sealing
- Hinging, lockable splice trays
- Plastic slack storage basket with optional segmented basket to separate ribbon and loose tube slack storage
- Six cable ports with up to six ground lugs
- Capable of up to 16 drop cables with an expressed distribution cable using multi-drop entry kits
- Splice trays with universal splice modules capable of holding single fusion, mass fusion and mechanical splices as well as other devices such as passive optical splitters
- Dome-to-base O-ring seal retained into dome to prevent loss or damage, but is still replaceable if necessary

Specifications

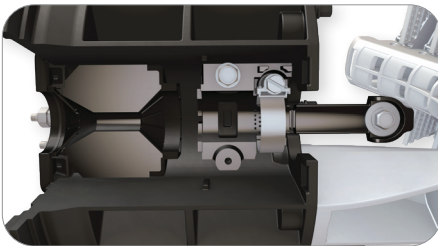
PARAMETER	VALUE
Dimensions – L x D, in (cm)	25.0 x 12.0 (64 x 30)
Weight, No Trays – lb (kg)	25 (11.3)
Splice Capacity – Single, Mass (SWR), Mass (Standard)	576, 3456, 1152
Splice Tray Capacity	6
Cable Diameter, Single Port, in (mm)	0.40" – 1.10" (10.0 – 28.0)
Cable Diameter, Multi-Drop Kit, in (mm)	0.20" – 0.39" (5.0 – 9.9) or flat drop
Application	Direct Bury, Handhole, Aerial, Pole/Wall
Testing	Test to and Passed GR-771-CORE 20 ft. Waterhead test
Temperature Operating	-40°F to 149°F -40°C to 65°C

Apex® X-2 Sealed Splice Closure



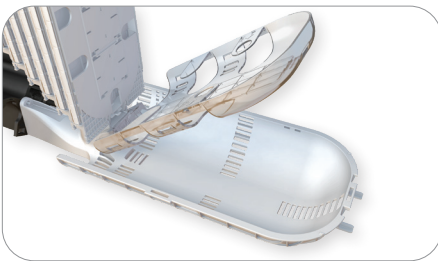
Gel Sealing

Individual wedges located evenly around the circumference of the base are removed with the press of a button. When cables are in place and ready to be sealed, the gel is compressed by a single screw, decreasing installation time. Individual port seals ensure cables never become unsealed when adding new cables at a later date.



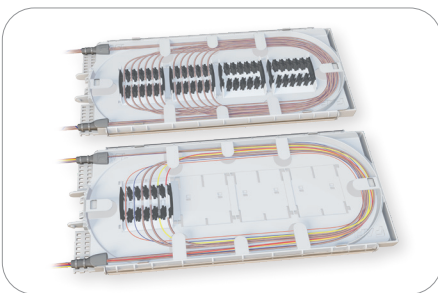
Cable Entry Ports and Strain Relief

The cable entry ports surrounding the circumference of the base accept single cables from 0.4" to 1.1" in diameter. These ports can be expanded through the use of optional drop cable entry kits, allowing up to 4 flat drops or cables from 0.2" to 0.39" to use a single port. Additionally, each port has the capability to be paired with its own grounding lug if necessary. Closures can be configured with enough strain relief kits for 0 to 6 cables from the factory. For closures with less than 6, additional cables can be added through the use of additional cable strain relief kits sold separately.



Slack Storage

A molded slack storage basket allows for use of the entire cross section of the closure to maximize storage. An optional segmented hinging basket is available to separate ribbon and loose tube slack, and can be locked in the upward position for access to expressed fibers below.



Splice Trays with Modular Splice Holders

Splice trays are organized in a hinging array that automatically lock when tilted to the upward position for easy access to the splice trays and slack storage below. The universal splice module holds up to 24 single fusion, 6 mass fusion or 12 mass fusion double-stacked when using SWR, or 6 mechanical splices as well as devices such as PLC splitters or OADM devices. This eliminates the need for specifying and stocking multiple splice trays for multiple applications.

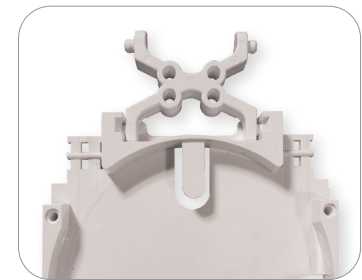
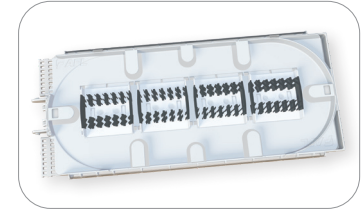
Ordering Information

AX	2	B	L	0	2	6	B
APEX CLOSURES	CLOSURE SIZE	BASKET TYPE	TRAY TYPE	NUMBER OF TRAYS	CABLE STRAIN RELIEF HARDWARE KITS	NUMBER OF GROUND LUGS	INNER BASKET
	2 = X-2 Size	B = X-2 Sized Basket	X = No preinstalled tray L = X-2 Tray Loaded with splice modules	0 1 2 3 4 5 6	0 1 2 3 4 5 6	0 1 2 3 4 5 6	X = No Inner Basket B = Include Inner Basket

Apex® X-2 Sealed Splice Closure

Splice Trays and Splice Modules

Apex X-2 closures utilize X-2 size splice trays. Trays can be ordered fully loaded or half loaded with splice modules. For “rollable” type ribbon such as AFL’s SpiderWeb Ribbon®, trays can be fully loaded for 48 double-stacked mass splices, or 576 fibers total per tray. For standard ribbon, AFL recommends partially loaded for up to 16 mass splices single-stacked, or 192 fibers. Adapter kits available to install FOOSC® A-B optical trays.



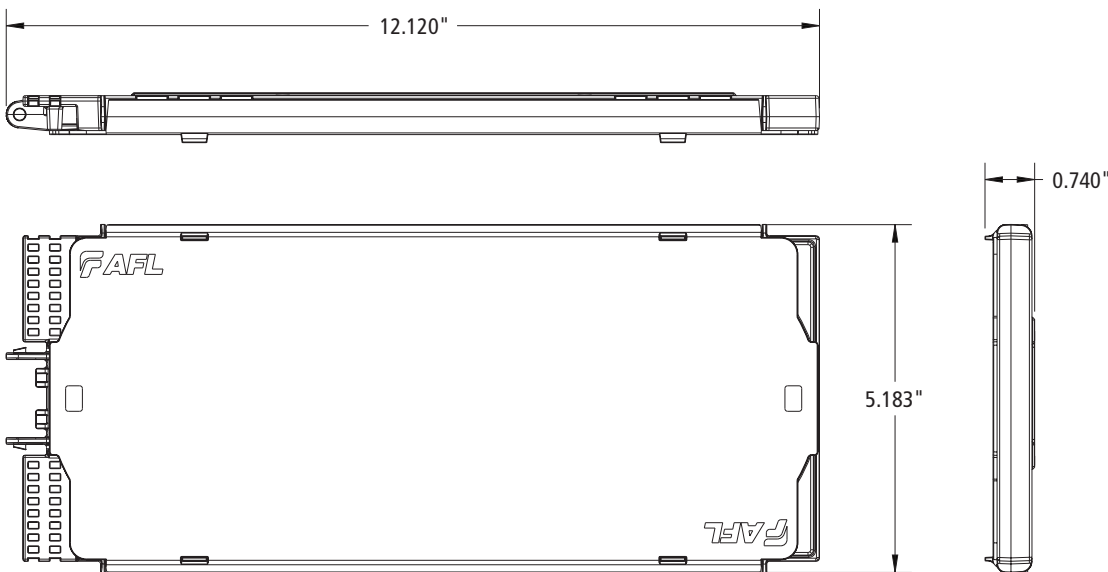
Ordering Information

DESCRIPTION	TRAY CAPACITY		AFL NO.
	SINGLE	MASS	
X-2 Tray Loaded with Two Splice Modules	48**	288	AX-TRAY-2-2
X-2 Tray Fully Loaded with Four Splice Modules (576 fibers per tray only recommended for rollable ribbon, e.g. AFL SWR)	96**	576*	AX-TRAY-2-4
Additional splice module (18 single fusion triple stacked, 12 mass fusion double stacked, 6 mechanical) – Pack of 20	–	–	AX-TRAY-MOD-20
X-2 Tray Empty	–	–	AX-TRAY-2-E
FP-40 40 mm Single Fiber Slim Protection Sleeve	–	–	S018262
FP-60 60 mm Single Fiber Slim Protection Sleeve	–	–	S018263

* 576 fibers per tray with mass fusion double-stacking (3456 total closure capacity) only recommended for 200 μm type rollable ribbon. For 250 μm, cut capacity in half with single-stacking.

** When using AFL’s Slim Protection Sleeves

Dimensions



Apex® X-2 Sealed Splice Closure

Installation Kits and Accessories

The AFL Apex closure line has a variety of installation accessories kits to fit many applications. Additional accessories may be available. Contact AFL.



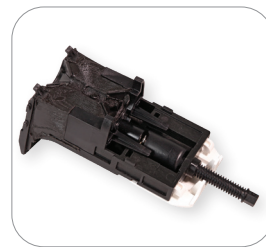
CAU Kit



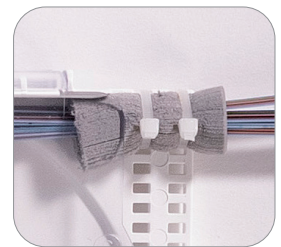
Ring Clamp Replacement Kit



O-Ring Grease Kit



Wedge Replacement Kit



Foam Retention

Ordering Information — Replacement Kits

DESCRIPTION	AFL NO.
REPLACEMENT KITS	
X-2 and X-2S Single Cable Strain Relief/Cable Attachment Unit (CAU) Kit	AX-KIT-CBLSTRN
X-2 and X-2S Dome to Base O-Ring Replacement Kit	AX-KIT-ORING-2
Apex O-Ring Grease, Pack of 10	AX-KIT-GREASE-10
X-2 and X-2S Dome to Base Locking Ring Clamp Replacement Kit	AX-KIT-CLAMP-2
X-2 and X-2S Wedge Replacement Kit	AX-KIT-WEDGE-2
X-2 and X-2S Inner Base Gel Replacement Kit	AX-KIT-GEL-2
X-2 Basket and Yoke Assembly Kit. Can be used in combination with the basket cover.	AX-KIT-BASKET-2
X-2 Inner Basket Kit	AX-KIT-SBASKET-2
X-2 Dome Replacement Kit	AX-KIT-DOME-2
WTC-SWR Bundle Splice Tray Retention Kit - Includes 25 foam grommets for retaining SWR bundles to splice trays	HW000406
Velcro, 75 Foot Length Roll – For securing SWR bundles in the slack basket	FC001759



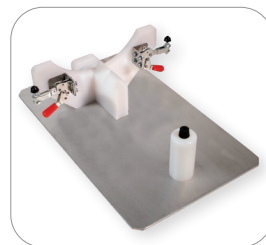
Apex Aerial Hanger Bracket



Apex Pole/Wall Mount



Adjustable Aerial Hanger Bracket



X-2 and X-2S Installation Stand



Universal Installation Stand

Ordering Information — Accessories

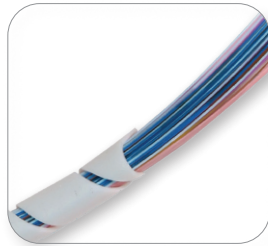
DESCRIPTION	AFL NO.
ACCESSORIES	
Aerial strand mount hanger kit	AX-KIT-AERIAL-1
Pole/wall mount kit	AX-BR30
Adjustable Aerial Strand Mount Hanger kit	AX-KIT-AERIAL-ADJ
ADSS Aerial hanger brackets	AX-KIT-AERIAL-ADSS
Multi-Drop Cable Entry Kit (fits up to 4 cables 0.20" to 0.39" in diameter or flat drop cable)	AX-KIT-DROP-4
X-2 and X-2S Installation Stand	FC104649
Apex Universal Installation Stand	AX-KIT-U-STAND

Apex® X-2 Sealed Splice Closure

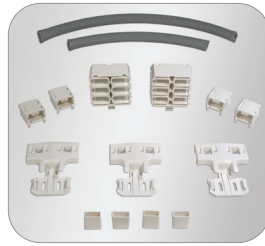
Installation Accessories (cont.)



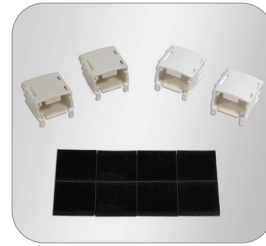
Mesh Transition Tubing



Silicone Spiral Wrap



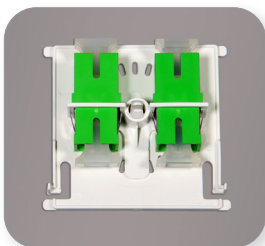
AFRS Kit 1



AFRS Kit 2



A-B Tray Adapter Kit



SC Bulkhead Adapter Kit



Replacement Slack Storage Basket Tabs

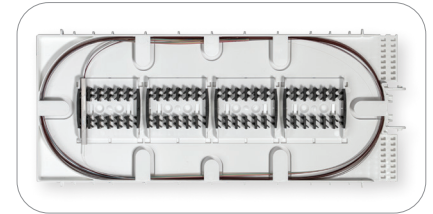
Ordering Information — Accessories (cont.)

DESCRIPTION	AFL NO.
ACCESSORIES	
Apex Cable Bonding Kit (Bonds armored cable sheath to ground) – Pack of 10	AX-KIT-GROUND-10
Apex Internal Multiple Ground Bonding Kit	AX-KIT-GNDLD-5
1/4" Colored Mesh Transition Tubing, 250' Spool (*Replace "XX" with color per TIA-598 color code - BL, OR, GR, BR, SL, WH, RD, BK, YL, VI, RS or AQ)	AX-KIT-TUBE-014-XX*
Silicone Spiral Wrap, 5.5 Foot Length	FC001657
Apex Advanced Fiber Retention System (AFRS) Kit 1 – Used for Ribbon Cable (Flat Matrix, SWR, Tubed, Central Core). Kit includes: Mesh Basket Adapter (2 ea.), Mesh Housing (2 ea.), Mesh Insert (24 ea.), V-Clips (12 ea.), and Clean Cut Gray Mesh (13 ft.).	AX-KIT-AFRSRBN
Apex AFRS Kit 2 – Used for Loose Tube Cable. Kit includes: V-Clip (24 ea.) and Retention Pads (6 sheets of 8 pads)	AX-KIT-AFRSLT
Apex AFRS Kit 3 – V-Clip bulk kit. Includes: V-Clips (120 ea.) and Mesh Inserts (120 ea.)	AX-KIT-AFRSVC-120
Apex AFRS Kit 4 – Mesh bulk kit. Includes: Clean Cut Gray Mesh (100 ft.)	AX-KIT-AFRSMESH-100FT
Apex AFRS Kit 5 – Mesh Housing bulk kit. Includes: Mesh Basket Adapter (10 ea.) and Mesh Housing (10 ea.)	AX-KIT-AFRSAH-10
Apex AFRS Kit 6 – Mesh Basket Adapter bulk kit. Includes: Mesh Basket Adapter (10 ea.)	AX-KIT-AFRSA-10
Apex Restoration Kit, 1000' of 144F Non-Armored Wrapping Tube Cable (Apex X-2S is in Restoration Kit)	AX-2S-B-L-4-4-X-1R1000F
Apex A-B Tray Adapter Kit, 1 Kit of 6 pieces	AX-ADPTR-ABTRAY-6
Apex A-B Tray Adapter Kit, 10 Kits of 6 pieces	AX-ADPTR-ABTRAY-60
Apex Bulkhead Kit with Plate SC/APC Adapters, 1 kit	AX-TRAY-ASC
Apex Bulkhead Kit with Plate with SC/UPC Adapters, 1 kit	AX-TRAY-USC
Apex Bulkhead Kit with Plate SC/APC Adapters, 6 pc kit	AX-TRAY-ASC-6
Apex Bulkhead Kit with Plate SC/UPC Adapters, 6 pc kit	AX-TRAY-USC-6
Apex Replacement Slack Storage Basket Tabs – Pack of 25	AX-KIT-BTAB-25

Apex® X-2 Sealed Splice Closure

Splitter Splice Trays

Passive optical splitters, or PLCs (Planar Lightwave Circuits), can be provided preinstalled into the Apex X-2 splice tray. PLCs can either be installed and splice within the same tray, or provided with a separate dedicated tray for splicing, with fibers routed between trays using protective tubing. A third option provides one additional tray to separate input and output fiber splicing.



Ordering Information

DESCRIPTION	SPLIT RATIO	AFL NO.
SPLITTER MODULES FOR SPLICE TRAYS		
X-2 Tray with Four Splice Modules, (1) 1x2 PLC Splitter	1x2	AX-TRAY-2-12-1
X-2 Tray with Four Splice Modules, (1) 1x4 PLC Splitter	1x4	AX-TRAY-2-14-1
X-2 Tray with Four Splice Modules, (1) 1x8 PLC Splitter	1x8	AX-TRAY-2-18-1
X-2 Tray with Four Splice Modules, (1) 1x16 PLC Splitter	1x16	AX-TRAY-2-116-1
X-2 Tray with Four Splice Modules, (1) 1x32 PLC Splitter	1x32	AX-TRAY-2-132-1
X-2 Tray with (1) 1x2 PLC Splitter and Separate Splicing Tray with Four Splice Modules	1x2	AX-TRAY-2-12-2
X-2 Tray with (1) 1x4 PLC Splitter and Separate Splicing Tray with Four Splice Modules	1x4	AX-TRAY-2-14-2
X-2 Tray with (1) 1x8 PLC Splitter and Separate Splicing Tray with Four Splice Modules	1x8	AX-TRAY-2-18-2
X-2 Tray with (1) 1x16 PLC Splitter and Separate Splicing Tray with Four Splice Modules	1x16	AX-TRAY-2-116-2
X-2 Tray with (1) 1x32 PLC Splitter and Separate Splicing Tray with Four Splice Modules	1x32	AX-TRAY-2-132-2
X-2 Tray with (1) 1x2 PLC Splitter and 2 Separate Splicing Trays with Four Splice Modules each	1x2	AX-TRAY-2-12-3
X-2 Tray with (1) 1x4 PLC Splitter and 2 Separate Splicing Trays with Four Splice Modules each	1x4	AX-TRAY-2-14-3
X-2 Tray with (1) 1x8 PLC Splitter and 2 Separate Splicing Trays with Four Splice Modules each	1x8	AX-TRAY-2-18-3
X-2 Tray with (1) 1x16 PLC Splitter and 2 Separate Splicing Trays with Four Splice Modules each	1x16	AX-TRAY-2-116-3
X-2 Tray with (1) 1x32 PLC Splitter and 2 Separate Splicing Trays with Four Splice Modules each	1x32	AX-TRAY-2-132-3



Apex® X-2S Sealed Splice Closure

The Apex X-2S is a sealed splice closure designed for protecting optical fiber splices in both above- or below-grade applications in a butt configuration. The Apex X-2S is capable of up to 288 single fusion, 576 mass fusion with standard ribbon, or 1728 (200 μm, 864 max for 250 μm) mass fusion with “rollable ribbon” fiber types such as AFL’s SpiderWeb Ribbon® (SWR®). Cables are sealed by a unique wedge system spaced evenly around the circumference of the closure’s base. Each cable seal is opened by a press-to-release lever and sealing is completed by actuating a single screw for each cable. Each cable is sealed individually, ensuring original craftsmanship when cables may be added at a later date. Up to 6 splice trays are attached and hinge off a central organizer. A plastic slack storage basket resides underneath the trays with ample tie down points for managing tube and fiber slack.

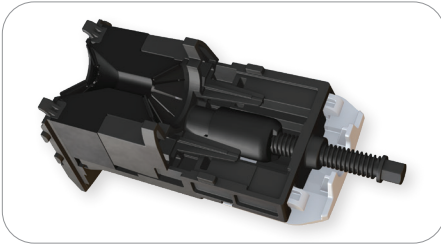
Features

- Individual cable sealing ports with tool-less release mechanism and gel sealing
- Hinging, lockable splice trays
- Plastic slack storage basket with convenient multiple tie-down points with Velcro or tie wraps
- Six cable ports with up to six ground lugs
- Capable of up to 16 drop cables with an expressed distribution cable using multi-drop entry kits
- Splice trays with universal splice modules capable of holding single fusion, mass fusion and mechanical splices as well as other devices such as passive optical splitters
- Dome-to-base O-ring seal retained into dome to prevent loss or damage, but is still replaceable if necessary

Specifications

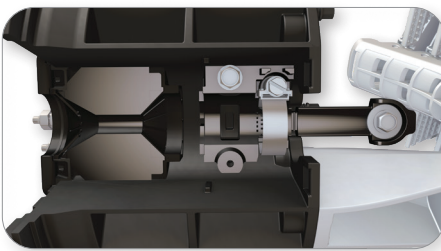
PARAMETER	VALUE
Dimensions – L x D, in (cm)	20.0 x 12.0 (51 x 30)
Weight, No Trays – lb (kg)	22 (10)
Splice Capacity – Single, Mass (SWR), Mass (Standard)	288, 1728, 576
Splice Tray Capacity	6
Cable Diameter, Single Port, in (mm)	0.40" – 1.10" (10.0 - 28.0)
Cable Diameter, Multi-Drop Kit, in (mm)	0.20" – 0.39" (5.0 - 9.9) or flat drop
Application	Direct Bury, Handhole, Aerial, Pole/Wall
Testing	Test to and Passed GR-771-CORE 20 ft. Waterhead test
Temperature Operating	-40°F to 149°F -40°C to 65°C

Apex® X-2S Sealed Splice Closure



Gel Sealing

Individual wedges located evenly around the circumference of the base are removed with the press of a button. When cables are in place and ready to be sealed, the gel is compressed by a single screw, decreasing installation time. Individual port seals ensure cables never become unsealed when adding new cables at a later date.



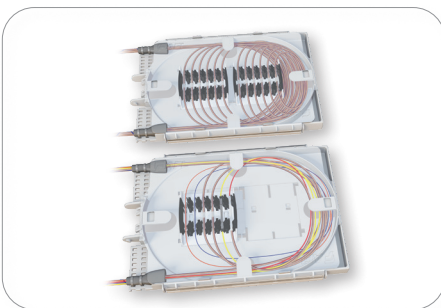
Cable Entry Ports and Strain Relief

The cable entry ports surrounding the circumference of the base accept single cables from 0.4" to 1.1" in diameter. These ports can be expanded through the use of optional drop cable entry kits, allowing up to 4 flat drops or cables from 0.2" to 0.39" to use a single port. Additionally, each port has the capability to be paired with its own grounding lug if necessary. Closures can be configured with enough strain relief kits for 0 to 6 cables from the factory. For closures with less than 6, additional cables can be added through the use of additional cable strain relief kits sold separately.



Slack Storage

A molded slack storage basket allows for use of the entire cross section of the closure to maximize storage.



Splice Trays with Modular Splice Holders

Splice trays are organized in a hinging array that automatically lock when tilted to the upward position for easy access to the splice trays and slack storage below. The universal splice module holds up to 24 single fusion, 6 mass fusion or 12 mass fusion double-stacked when using SWR, or 6 mechanical splices as well as devices such as PLC splitters and OADM devices. This eliminates the need for specifying and stocking multiple splice trays for multiple applications.

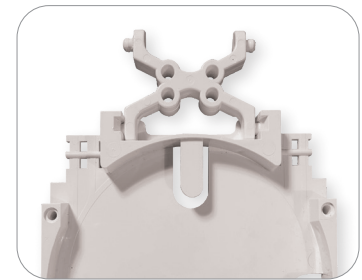
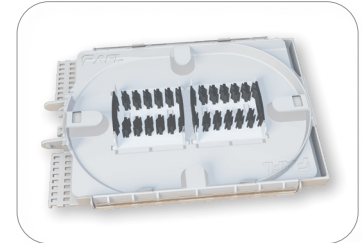
Ordering Information

AX	—	2S	—	B	—	L	—	0	—	2	—	6	—	X
APEX CLOSURES		CLOSURE SIZE		BASKET TYPE		TRAY TYPE		NUMBER OF TRAYS		CABLE STRAIN RELIEF HARDWARE KITS		NUMBER OF GROUND LUGS		INNER BASKET
		2S = X-2S Size		B = X-2S Sized Basket		X = No preinstalled tray L = X-2S Tray Loaded with splice modules		0 1 2 3 4 5 6		0 1 2 3 4 5 6		0 1 2 3 4 5 6		X = No Inner Basket

Apex® X-2S Sealed Splice Closure

Splice Trays and Splice Modules

Apex X-2S closures utilize X-2S size splice trays. Trays can be ordered fully loaded or half loaded with splice modules. For "rollable" type ribbon such as AFL's SpiderWeb Ribbon®, trays can be fully loaded for 24 mass splices, or 288 fibers per tray. For standard ribbon, AFL recommends half loaded for 6 mass splices single-stacked, or 72 fibers. Adapter kits available to install up to four FOSC® A optical trays.

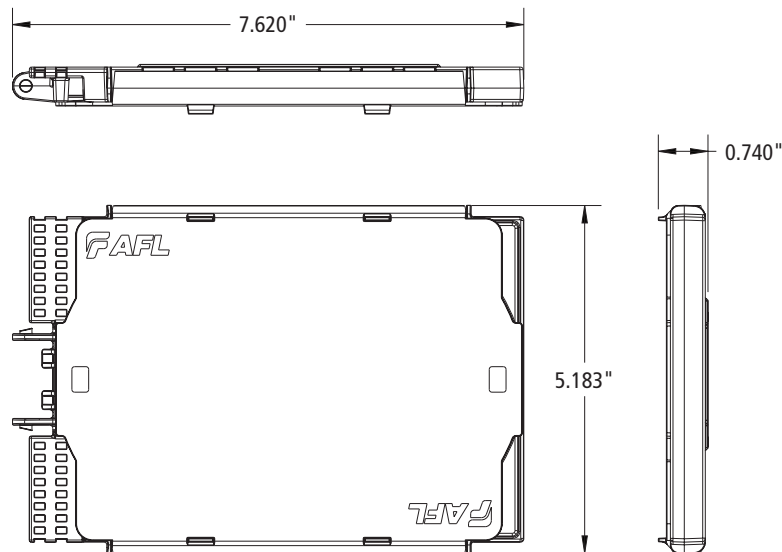


Ordering Information

DESCRIPTION	TRAY CAPACITY		AFL NO.
	SINGLE	MASS	
X-2S Tray Loaded with One Splice Module	24**	72	AX-TRAY-2S-1
X-2S Tray Fully Loaded with Two Splice Modules (288 fibers per tray only recommended for rollable ribbon, e.g. AFL SWR)	48**	288	AX-TRAY-2S-2
Additional splice module (18 single fusion triple stacked, 12 mass fusion double stacked, 6 mechanical) – Pack of 20	-	-	AX-TRAY-MOD-20
X-2S Tray Empty	-	-	AX-TRAY-2S-E
FP-40 40 mm Single Fiber Slim Protection Sleeve	-	-	S018262
FP-60 60 mm Single Fiber Slim Protection Sleeve	-	-	S018263

* 288 fibers per tray with mass fusion double-stacking (1728 total closure capacity) only recommended for 200 μm type rollable ribbon. For 250 μm, cut capacity in half with single-stacking.
 ** When using AFL's Slim Protection Sleeves

Dimensions



Apex® X-2S Sealed Splice Closure

Installation Kits and Accessories

The AFL Apex closure line has a variety of installation accessories kits to fit many applications. Additional accessories may be available. Contact AFL.



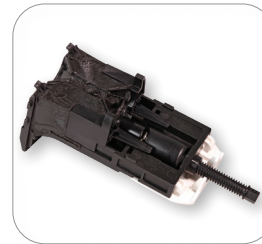
CAU Kit



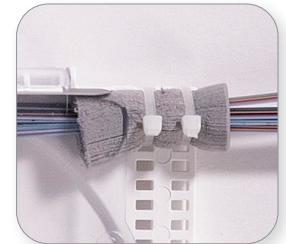
Ring Clamp Replacement Kit



O-Ring Grease Kit



Wedge Replacement Kit



Foam Retention

Ordering Information — Replacement Kits

DESCRIPTION	AFL NO.
REPLACEMENT KITS	
X-2 and X-2S Single Cable Strain Relief/Cable Attachment Unit (CAU) Kit	AX-KIT-CBLSTRN
X-2 and X-2S Dome to Base O-Ring Replacement Kit	AX-KIT-ORING-2
Apex O-Ring Grease, Pack of 10	AX-KIT-GREASE-10
X-2 and X-2S Dome to Base Locking Ring Clamp Replacement Kit	AX-KIT-CLAMP-2
X-2 and X-2S Wedge Replacement Kit	AX-KIT-WEDGE-2
X-2 and X-2S Inner Base Gel Replacement Kit	AX-KIT-GEL-2
X-2S Basket and Yoke Assembly Kit. Can be used in combination with the basket cover.	AX-KIT-BASKET-2S
X-2S Dome Replacement Kit	AX-KIT-DOME-2S
WTC-SWR Bundle Splice Tray Retention Kit - Includes 25 foam grommets for retaining SWR bundles to splice trays	HW000406
Velcro, 75 Foot Length Roll – For securing SWR bundles in the slack basket	FC001759



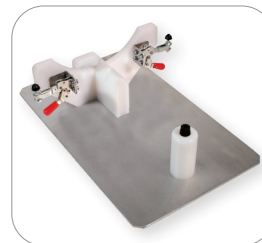
Apex Aerial Hanger Bracket



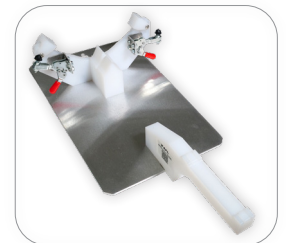
Apex Pole/Wall Mount



Adjustable Aerial Hanger Bracket



X-2 and X-2S Installation Stand



Universal Installation Stand

Ordering Information — Accessories

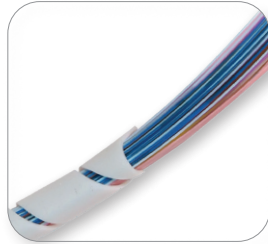
DESCRIPTION	AFL NO.
ACCESSORIES	
Aerial strand mount hanger kit	AX-KIT-AERIAL-1
Pole/wall mount kit	AX-BR30
Adjustable Aerial Strand Mount Hanger kit	AX-KIT-AERIAL-ADJ
ADSS Aerial hanger brackets	AX-KIT-AERIAL-ADSS
Multi-Drop Cable Entry Kit (fits up to 4 cables 0.20" to 0.39" in diameter or flat drop cable)	AX-KIT-DROP-4
X-2 and X-2S Installation Stand	FC104649
Apex Universal Installation Stand	AX-KIT-U-STAND

Apex® X-2S Sealed Splice Closure

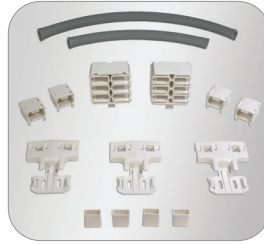
Installation Accessories (cont.)



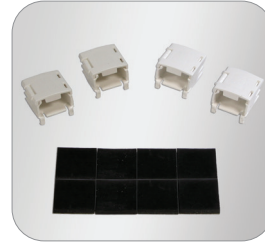
Mesh Transition Tubing



Silicone Spiral Wrap



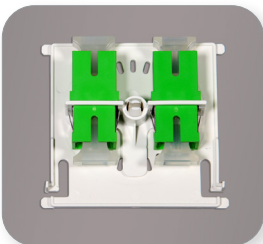
AFRS Kit 1



AFRS Kit 2



A-B Tray Adapter Kit



SC Bulkhead Adapter Kit



Replacement Slack Storage Basket Tabs

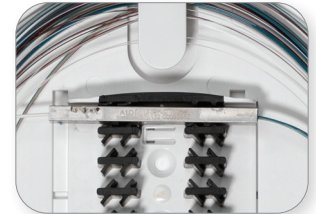
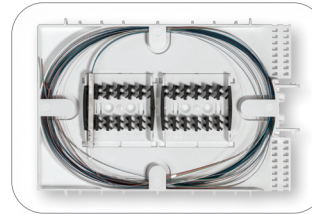
Ordering Information — Accessories (cont.)

DESCRIPTION	AFL NO.
ACCESSORIES	
1/4" Colored Mesh Transition Tubing, 250' Spool (*Replace "XX" with color per TIA-598 color code - BL, OR, GR, BR, SL, WH, RD, BK, YL, VI, RS or AQ)	AX-KIT-TUBE-014-XX*
Silicone Spiral Wrap, 5.5 Foot Length	FC001657
Apex Cable Bonding Kit (Bonds armored cable sheath to ground) – Pack of 10	AX-KIT-GROUND-10
Apex Internal Multiple Ground Bonding Kit	AX-KIT-GNDLD-5
Apex Advanced Fiber Retention System (AFRS) Kit 1 – Used for Ribbon Cable (Flat Matrix, SWR, Tubed, Central Core). Kit includes: Mesh Basket Adapter (2 ea.), Mesh Housing (2 ea.), Mesh Insert (24 ea.), V-Clips (12 ea.), and Clean Cut Gray Mesh (13 ft.).	AX-KIT-AFRSRBN
Apex AFRS Kit 2 – Used for Loose Tube Cable. Kit includes: V-Clip (24 ea.) and Retention Pads (6 sheets of 8 pads)	AX-KIT-AFRSLT
Apex AFRS Kit 3 – V-Clip bulk kit. Includes: V-Clips (120 ea.) and Mesh Inserts (120 ea.)	AX-KIT-AFRSVC-120
Apex AFRS Kit 4 – Mesh bulk kit. Includes: Clean Cut Gray Mesh (100 ft.)	AX-KIT-AFRSMESH-100FT
Apex AFRS Kit 5 – Mesh Housing bulk kit. Includes: Mesh Basket Adapter (10 ea.) and Mesh Housing (10 ea.)	AX-KIT-AFRSAH-10
Apex AFRS Kit 6 – Mesh Basket Adapter bulk kit. Includes: Mesh Basket Adapter (10 ea.)	AX-KIT-AFRSA-10
Apex Restoration Kit, 1000' of 144F Non-Armored Wrapping Tube Cable (Apex X-2S is in Restoration Kit)	AX-2S-B-L-4-4-4-X-1R1000F
Apex A-B Tray Adapter Kit, 1 Kit of 6 pieces	AX-ADPTR-ABTRAY-6
Apex A-B Tray Adapter Kit, 10 Kits of 6 pieces	AX-ADPTR-ABTRAY-60
Apex Bulkhead Kit with Plate SC/APC Adapters, 1 kit	AX-TRAY-ASC
Apex Bulkhead Kit with Plate with SC/UPC Adapters, 1 kit	AX-TRAY-USC
Apex Bulkhead Kit with Plate SC/APC Adapters, 6 pc kit	AX-TRAY-ASC-6
Apex Bulkhead Kit with Plate SC/UPC Adapters, 6 pc kit	AX-TRAY-USC-6
Apex Replacement Slack Storage Basket Tabs – Pack of 25	AX-KIT-BTAB-25

Apex® X-2S Sealed Splice Closure

Splitter Splice Trays

Passive optical splitters, or PLCs (Planar Lightwave Circuits), can be provided preinstalled into the Apex X-2S splice tray. PLCs can either be installed and splice within the same tray, or provided with a separate dedicated tray for splicing, with fibers routed between trays using protective tubing. A third option provides one additional tray to separate input and output fiber splicing.



Ordering Information

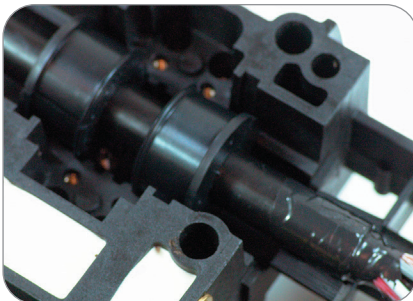
DESCRIPTION	SPLIT RATIO	AFL NO.
SPLITTER MODULES FOR SPLICE TRAYS		
X-2S Tray with Four Splice Modules, (1) 1x2 PLC Splitter	1x2	AX-TRAY-2S-12-1
X-2S Tray with Two Splice Modules, (1) 1x4 PLC Splitter	1x4	AX-TRAY-2S-14-1
X-2S Tray with Two Splice Modules, (1) 1x8 PLC Splitter	1x8	AX-TRAY-2S-18-1
X-2S Tray with Two Splice Modules, (1) 1x16 PLC Splitter	1x16	AX-TRAY-2S-116-1
X-2S Tray with Two Splice Modules, (1) 1x32 PLC Splitter	1x32	AX-TRAY-2S-132-1
X-2S Tray with (1) 1x2 PLC Splitter and Separate Splicing Tray with Two Splice Modules	1x2	AX-TRAY-2S-12-2
X-2S Tray with (1) 1x4 PLC Splitter and Separate Splicing Tray with Two Splice Modules	1x4	AX-TRAY-2S-14-2
X-2S Tray with (1) 1x8 PLC Splitter and Separate Splicing Tray with Two Splice Modules	1x8	AX-TRAY-2S-18-2
X-2S Tray with (1) 1x16 PLC Splitter and Separate Splicing Tray with Two Splice Modules	1x16	AX-TRAY-2S-116-2
X-2S Tray with (1) 1x32 PLC Splitter and Separate Splicing Tray with Two Splice Modules	1x32	AX-TRAY-2S-132-2
X-2S Tray with (1) 1x2 PLC Splitter and 2 Separate Splicing Trays with Two Splice Modules each	1x2	AX-TRAY-2S-12-3
X-2S Tray with (1) 1x4 PLC Splitter and 2 Separate Splicing Trays with Two Splice Modules each	1x4	AX-TRAY-2S-14-3
X-2S Tray with (1) 1x8 PLC Splitter and 2 Separate Splicing Trays with Two Splice Modules each	1x8	AX-TRAY-2S-18-3
X-2S Tray with (1) 1x16 PLC Splitter and 2 Separate Splicing Trays with Two Splice Modules each	1x16	AX-TRAY-2S-116-3
X-2S Tray with (1) 1x32 PLC Splitter and 2 Separate Splicing Trays with Two Splice Modules each	1x32	AX-TRAY-2S-132-3



Expandable to support various cable diameters



Ease of installation (no tapes, washers, or glue)



Multiple layers of sealing protection

LightGuard® Peel and Seal Grommet Systems for Sealed Fiber Optic Closures

AFL's cable sealing grommet technology for the LightGuard (LG) Sealed Fiber Optic Closures improves sealing technology utilizing MULTICENTRIC® Grommets that do away with time-consuming tasks such as installing washers and messy sealing tapes for cable entry. MULTICENTRIC Grommets are designed to accept a wide range of cable diameters, eliminating the need to stock a variety of diameter-specific grommet kits.

Conversion kits for old LG-100, LG-200, and LG-300 closures allows for "Peel and Seal" grommet technology to be used without changing out the existing closure.

Features

- All Peel and Seal Grommet Systems support loose tube, core tube, dielectric and armored cable designs
- Installation and re-entry using common hand tools
- Accepts a wide range of cable diameters
- Fast and easy to install
- Fits existing AFL LightGuard sealed closures
- Fully sealed to protect fiber and splices ensuring longevity
- Full conversion kits and dual cable entry port kits



Single



Dual



Quad

Ordering information

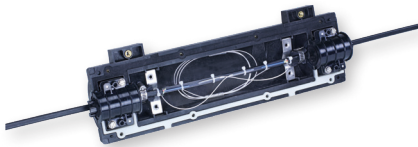
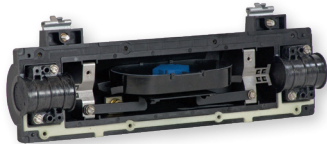
SEALED CLOSURE FULL CONVERSION KITS (SINGLE AXIS CABLE ENTRY)

DESCRIPTION	AFL NO.
3 Port Drop Grommet (LG-150/250)	FC000655
Dual Express Grommets for LG-350	FC000337
Quad Express Grommets for LG-350	FC000421
Single Cable Grommet Kit, Drop Port	FC000628
4 Port Drop Grommet (LG-350 / LG-350-AC)	FC000422
LG-350 Express Single Cable Grommet Kit	FC000726
LG-350 Drop Single Cable Grommet Kit	FC000727

Qualifications

GOVERNING BODY	STANDARD CODE
Telcordia	GR-771
Rural Utilities Service (RUS)	515

Contact AFL for further details.



In-line Repair Closure (IRC) for repair of flat or round drop cables

Features

- Accommodates cables to 0.70" O.D for splicing and grounding/bonding
- Incorporates the Peel and Seal Grommet System, fully sealing the closure
- Includes removable, integral central splicing module and individual cable retention clamps
- Requires only a common can wrench for installation

LightGuard® 55 Sealed Fiber Optic Splice Closure

Designed with versatility in mind, the LightGuard (LG) 55 sealed closure from AFL offers a variety of solutions including repair and distribution splicing, grounding for Fiber-in-the-Loop applications, and for use as an isolation gap with armored cables. This closure accepts stranded loose tube or ribbon fiber cables in either armored or dielectric configurations and can be utilized in a butt or in-line configuration.

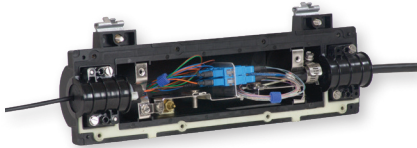
The LG-55 closure incorporates a unique cable clamp design sealing the cable, allowing both of the cover halves to be removed without disturbing the contents. In addition, AFL's Peel & Seal Grommet System™ is incorporated to ensure a tight fit on various cable diameters, fully sealing the closure and protecting the fiber while eliminating cumbersome tape and washers—making installation fast and easy.

Specifications

PARAMETER	VALUE
Splice Capacity (Max.)—Single, Mass, Mechanical	24, n/a, 24
Number of Splice Trays (Max.)—Single, Mass, Mechanical*	1, n/a, 1
Cable Entrance Configuration	Butt or In-line
Cable Sizes (Min. O.D. - Max. O.D.) Included Grommets Single in. (mm) Double Express Port Only in. (mm)	(2) Express Ports 0.40" - 0.70" (10.0 - 25.4) 0.26" - 0.44" (6.6 - 11.2)
Additional Grommets Quad Express Port Only in. (mm)	0.26" - 0.38" (6.6 - 9.7)
Dimensions—(L x D) in. (mm)	14.0" x 4.0" (343.0 x 101.6)
Weight—lbs. (kg)	3.0 (1.36)

Ordering Information

DESCRIPTION	MODEL NO.	AFL NO.
LG-55 FC000034-PS Fiber Optic Splice Closure—Stores up to 32 single fusion, includes 2 single cable grommets and 1 dual cable grommet kit for sealing/retention and 2 ground terminals. Splice tray and hanger brackets included. Not included: Cable Grounding Kits	LG55-U-1	FC000034-PS
LL-2425 Single Splice Tray—Stores (32) single fusion splices. Maximum of 1 trays in the LG55. Tray Included.	LL-2425	FC000053
LG-350 Single Grommet Kit (Min. 0.40" - Max. 1.00") For use in LG-55 on Express Port side.	LG-350 Exp Single Kit	FC000726
LG-350 Dual Grommet Kit (Min. 0.26" - Max. 0.44") For use in LG-55 on Express Port side.	LG-350 Exp Dual Kit	FC000337
LG-350 Quad Grommet Kit (Min. 0.26" - Max. 0.38") For use in LG-55 on Express Port side.	LG-350 Exp Quad Kit	FC000421
LG-55 Grommet Kit (1) 3 flat drop grommet (flat drop 0.31" or round cable up to 0.25") and (1) dual grommet (Min. 0.26" - Max. 0.44").	LG-55 Drop Kit	FC000807
Cable Grounding Kit (pack of 5)—Clamp-On Ground Cable Only	CGK-5	FC001091
*Mechanical Splice Kit. Includes 10 pieces of VHB tape. Used in all splice trays. Each piece holds 12 splices.	VHB Tape	FA000089



LightGuard® 55-SC Sealed Fiber Optic Splice Closure

AFL's LightGuard (LG) 55-SC sealed closure retains all the features of the LG-55, but includes a unique patching system that utilizes pre-terminated SC fiber assemblies or field-installable connectors such as the FASTConnect® SC.

An innovative solution that can be used to facilitate a link between traffic control cabinets and entrance cables, the LG-55-SC closure allows for rapid restoration and minimal damage to a fiber optic cable should an impact disable the cabinet. A breakable tie wrap secures the pre-connectorized cable to one side of the closure (traffic control cabinet), while the main entrance cable is secured with a more rugged cable clamp, allowing the system to separate during a damaging impact.

Features

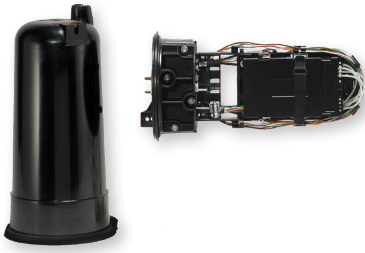
- Durable cover assembly that provides protection for all internal components and acts as an interface/anchor to the cable clamps
- Unique cable clamp seal to anchor the cable to the cover assembly
- Movable sheath retention bracket keeps cable bends at a minimum
- Accommodates up to four SC/UPC connectors
- Utilizes AFL's Peel & Seal Grommet System™, ensuring a tight fit on various cable diameters while eliminating cumbersome tape and washers
- Requires only a common can wrench for installation

Specifications

PARAMETER	VALUE
Cable Sizes (Min. O.D. - Max. O.D.)	0.4" - 0.7"
Maximum Cable Entry	2 ports (one each end)
Dimensions - (L x D) in. (mm)	14" x 4" (356.0 mm x 1022.0 mm)

Ordering Information

DESCRIPTION	MODEL NO.	AFL NO.
The LG-55-SC allows for 4 SC connections to be installed. A FASTConnect or FUSEConnect, field installable connectors would be used for the connections. The field side cable is held with a tie-wrap while the signal side is secured to the closure with a hose clamp. This allows for a break-out should a vehicle make contact with a traffic box leaving the signal side cable intact.	LG-55-SC	FC000481-PS
Dual Cable Entry Port Kit – Allows two cables to enter closure from each cable port.	Dual Cable Entry Port Kit	FC000062
Quad Cable Entry Port Kits – Allows 4 cables to enter closure from each cable port	Quad Cable Entry Port Kit	FC000421
Cable Grounding Harness Kit – Includes (5) Clamp-On 9.5" long ground wires AWG #6 conductor	CGK-5	FC001091



LightGuard® 150 Sealed Fiber Optic Splice Closure

The LightGuard (LG) 150 is a sealed dome closure designed for small count fiber splicing (up to 48 single or 192 mass) in a butt configuration. Utilized in aerial or underground environments where a sealed closure is required, the LG-150 is ideal for express or ring applications and requires only a common can wrench for installation.

Features

- Supports stranded loose tube or ribbon fiber cables in either armored or dielectric configurations
- Installation and re-entry requires only a common can wrench
- Fully sealed to protect fiber and splices ensuring longevity
- Fully kitted with all parts to install five cables
- Designed and tested to Telcordia® GR-771 requirements
- Rural Utilities Service (RUS) Listed

Specifications

PARAMETER	VALUE	
Splice Capacity (Max.)—Single, Mass, Mechanical	48, 192, 48	
Number of Splice Trays (Max.)—Single, Mass, Mechanical*	4, 3, 4	
Cable Entrance Configuration	Butt	
Cables	5	
Cable Sizes (Min. O.D. - Max. O.D.) Included Grommets	(2) Express Ports	(3) Drop Ports
Single in. (mm)	0.26" - 0.62" (6.6 - 15.7)	0.26" - 0.62" (6.6 - 15.7)
Additional Grommets		
(3) Flat Drop Port Only in. (mm)	n/a	0.19" x 0.34" (4.8 x 8.6) or 0.25" round (6.4)
Dimensions—(L x D) in. (mm)	16.25" x 8.75" (412.75 x 222.3)	
Weight—lbs. (kg)	10.5 (4.76)	

LightGuard® 150 Sealed Fiber Optic Splice Closure

Ordering Information

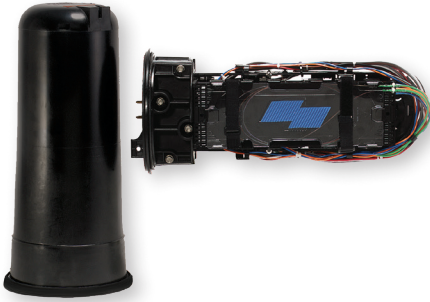
DESCRIPTION	AFL NO.
LG-150-U-0 Fiber Optic Splice Closure—Stores 48 single fusion or 192 mass fusion, includes (5) cable kits for sealing/retention and (2) ground terminals with removable bond. Not included: Splice Trays, Cable Grounding Kits or Hanger Brackets	FC000001-PS
LL-2450 Single Splice Tray—Stores (12) single fusion splices. Maximum of 4 trays in the LG150	91957-00
LL-4850 Mass Splice Tray—Stores (8) mass fusion splices (96 F). Maximum of 4 trays in the LG-150	91958-00
LL-1248 Universal Splice Tray—Stores (12) single fusion splices or (8) mass fusion splices (96 F), or *Mechanical. Max. of 4 trays in the LG-150	911221-00-00
LG-150/250 Single Grommet Kit (Min. 0.26" - Max. 0.62")	FC000704
LG-150/250 3 Flat Drop Grommet Kit (standard flat drop 0.31" or round cable up to 0.25")	FC000655
Universal Aerial Strand Hanger Kit—For use with LG-150/250/350	FC000006
Extended Offset Strand Hanger Kit—For use with LG-150/250/350	FC000208
Pole or Wall Mount Bracket—For use with LG-150/250/350	LGBR-30
OPGW Dual Cable Bracket Kit for use only when installing closure on OPGW cable—For use with LG-150/250/350	FC000683
OPGW Quad Cable Bracket Kit—For use with LG-150/250	FC000746
1x6 Fiber Router Kit with furcation tubes	FC000070
CGK-5 Cable Grounding Kit (pack of 5)—Clamp-On Ground Cable Only	FC001091
*Mechanical Splice Kit. Includes 10 pieces of VHB tape. Used in all splice trays. Each piece holds 12 splices.	FA000089
O-Ring and Lock Ring Kit—For use with LG-150/250	FC000771

* See Accessory Specifications.
See Splice Tray Specifications.

Qualifications

GOVERNING BODY	STANDARD CODE
Telcordia	GR-771
Rural Utilities Service (RUS)	Listed

Contact AFL for further details.



LightGuard® 250 Sealed Fiber Optic Splice Closure

The LightGuard (LG) 250 is a sealed dome closure designed for medium count fiber splicing (up to 144 single or 432 mass) in a butt configuration. Utilized in aerial or underground environments where a sealed closure is required, the LG-250 is ideal for express or ring applications and requires only a common can wrench for installation.

Features

- Supports stranded loose tube or ribbon fiber cables in either armored or dielectric configurations
- Installation and re-entry requires only a common can wrench
- Fully sealed to protect fiber and splices ensuring longevity
- Fully kitted with all parts to install five cables

Specifications

PARAMETER	VALUE	
Splice Capacity (Max.)—Single, Mass, Mechanical	144, 432, 48	
Number of Splice Trays (Max.)—Single, Mass, Mechanical*	4, 3, 4	
Cable Entrance Configuration	Butt	
Cables	5	
Cable Sizes (Min. O.D. - Max. O.D.)		
Included Grommets Single in. (mm)	(2) Express Ports 0.26" - 0.62" (6.6 - 15.7)	(3) Drop Ports 0.26" - 0.62" (6.6 - 15.7)
Additional Grommets (3) Flat Drop Port Only in. (mm)	n/a	0.19" x 0.34" (4.8 x 8.6) or 0.25" round (6.4)
Dimensions—(L x D) in. (mm)	19.0" x 8.75" (482.6 x 222.3)	
Weight—lbs. (kg)	10.5 (4.76)	

continued
→

LightGuard® 250 Sealed Fiber Optic Splice Closure

Ordering Information

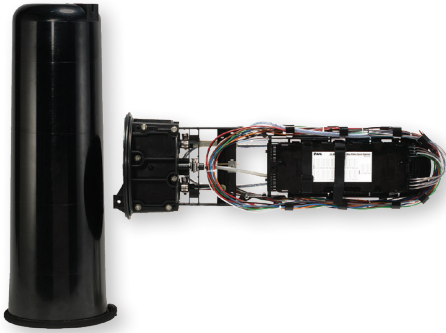
DESCRIPTION	AFL NO.
LG-250-U-0 Fiber Optic Splice Closure—Stores 144 single fusion or 432 mass fusion, includes (5) cable kits for sealing/retention and (2) ground terminals with removable bond. Not included: Splice Trays, Cable Grounding Kits or Hanger Brackets	FC000002-PS
LL-2400 Single Splice Tray—Stores (24) single fusion splices. Maximum of 4 trays in the LG-250.	91710-06
LL-2448 Universal Splice Tray—Stores (24) single fusion or (4) mass fusion splices (48 F). Maximum of 3 trays in the LG-250	911289-00-02
LL-4848 Mass Splice Tray—Stores (12) mass fusion splices (144 F). Maximum of 3 trays in the LG-250	911437-00-02
LL-2448-48S Single Splice Tray—Stores (48) single fusion splices. Maximum of 3 trays in the LG-250	FA000045
LG-150/250 Single Grommet Kit (Min. 0.26" - Max. 0.62")	FC000704
LG-150/250 3 Flat Drop Grommet Kit (standard flat drop 0.31" or round cable up to 0.25")	FC000655
Universal Aerial Strand Hanger Kit—For use with LG-150/250/350	FC000006
Extended Offset Strand Hanger Kit—For use with LG-150/250/350	FC000208
PWK Pole or Wall Mount Bracket—For use with LG-150/250/350	LGBR-30
OPGW Dual Cable Bracket Kit—For use with LG-150/250/350	FC000683
OPGW Quad Cable Bracket Kit—For use with LG-150/250	FC000746
1x6 Fiber Router Kit with furcation tubes	FC000070
CGK-5 Cable Grounding Kit (pack of 5)—Clamp-On Ground Cable Only	FC001091
*Mechanical Splice Kit. Includes 10 pieces of VHB tape. Used in all splice trays. Each piece holds 12 splices.	FA000089
O-Ring and Lock Ring Kit—For use with LG-150/2	FC000771

* See Accessory Specifications.
See Splice Tray Specifications.

Qualifications

GOVERNING BODY	STANDARD CODE
Telcordia	GR-771
Rural Utilities Service (RUS)	Listed

Contact AFL for further details.



LightGuard® 350 Sealed Fiber Optic Splice Closure

The LightGuard (LG) 350 is a sealed dome closure designed for large count fiber splicing (up to 480 single or 1152 mass) in a butt configuration. Utilized in aerial or underground environments where a sealed closure is required, the LG-350 is ideal for express, ring or long haul applications and requires only a common can wrench for installation.

Features

- Supports stranded loose tube or ribbon fiber cables in either armored or dielectric configurations
- Installation and re-entry requires only a common can wrench
- Fully sealed to protect fiber and splices ensuring longevity
- Fully kitted with all parts to install five cables

Specifications

PARAMETER	VALUE	
Splice Capacity (Max.)—Single, Mass, Mechanical	480, 1152, 108	
Number of Splice Trays (Max.)—Single, Mass, Mechanical*	12, 8, 8	
Cable Entrance Configuration	Butt	
Cables	5 to 11	
Cable Sizes (Min. O.D. - Max. O.D.)	(2) Express Ports	(3) Drop Ports
Included Grommets	0.40" - 1.00"	0.26" - 0.80"
Single in. (mm)	(10.0 - 25.4)	(6.6 - 20.0)
Additional Grommets	0.26" - 0.44"	
Dual Express Port Only in. (mm)	(6.6 - 11.2)	
Quad Express Port Only in. (mm)	0.26" - 0.38"	
	(6.6 - 9.7)	
(4) Flat Drop Port Only in. (mm)		0.19" x 0.34"
		(4.8 x 8.6) or
		0.25" round (6.4)
Dimensions—(L x D) in. (mm)	28.0" x 10.0" (710.0 x 254.0)	
Weight - lbs. (kg)	16 (7.26)	

continued
→

LightGuard® 350 Sealed Fiber Optic Splice Closure

Ordering Information

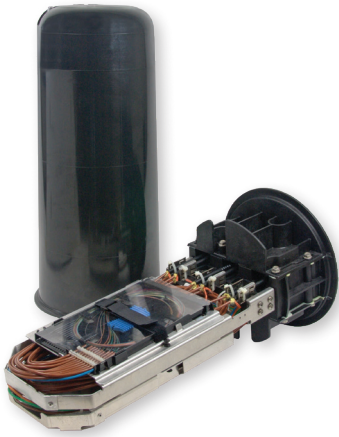
DESCRIPTION	AFL NO.
LG-350-U-0 Fiber Optic Splice Closure – Stores 480 single fusion or 1152 mass fusion, includes (5) cable kits for sealing/retention and (2) ground terminals with removable bond. Not included: Splice Trays, Cable Grounding Kits or Hanger Brackets	FC000009-PS
LL-2400 Single Splice Tray – Stores (24) single fusion splices. Maximum of 12 trays in the LG-350	91710-06
LL-2448 Universal Splice Tray – Stores (24) single fusion or (4) mass fusion splices (48 F). Maximum of 8 trays in the LG-350	911289-00-02
LL-4848 Mass Splice Tray – Stores (12) mass fusion splices (144 F). Maximum of 8 trays in the LG-350	911437-00-02
LL-2448-48S Single Splice Tray – Stores (48) single fusion splices. Maximum of 8 trays in the LG-350	FA000045
LL-4896 Universal Splice Tray – Stores (96) single fusion splices or (24) mass fusion splices (288 F). Maximum of 5 trays in the LG-350	911676-00-02
LL-4896-R Mass Splice Tray – Stores (24) mass fusion splices (288 F). Maximum of 5 trays in the LG-350	FA000022
LL-4896-L Single Splice Tray – Stores (96) single fusion splices. Maximum of 5 trays in the LG-350	FA000023
LL-7644 Universal Splice Tray – Stores (60) single fusion or (288) mass fusion splices or a combination of both in an easy-to-use, deep splice tray. For use with LG-350SD	FA000044
LL-7060 Splice Tray – Stores (60) single fusion splices in an easy-to-use, deep splice tray – For use in LG-350	FA000042
LL-7144 Splice Tray – Stores (288) mass fusion splices in an easy-to-use, deep splice tray – For use in LG-350	FA000043
LG-350 Single Grommet Kit (Min. 0.40" - Max. 1.00") – For use in LG-350/AC/SD on Express Port side	FC000726
LG-350 Dual Grommet Kit (Min. 0.26" - Max. 0.44") – For use in LG-350/AC/SD on Express Port side	FC000337
LG-350 Quad Grommet Kit (Min. 0.26" - Max. 0.38") – For use in LG-350/AC/SD on Express Port side	FC000421
LG-350 Single Grommet Kit (Min. 0.26" - Max. 0.80") – For use in LG-350/AC/SD on Drop Port side	FC000727
LG-350 Drop 4 Flat Drop Grommet Kit – For use with standard flat drop cable and round cable up to 0.25" O.D.	FC000422
Universal Aerial Strand Hanger Kit – For use with LG-150/250/350	FC000006
Extended Offset Strand Hanger Kit – For use with LG-150/250/350	FC000208
PWK Pole or Wall Mount Bracket – For use with LG-150/250/350	LGBR-30
OPGW Dual Cable Bracket Kit – For use with LG-150/250/350	FC000683
OPGW Quad Cable Bracket Kit for use when installing Sealed Closures – For use with LG-350	FC000747
1x6 Fiber Router Kit with furcation tubes	FC000070
CGK-5 Cable Grounding Kit (pack of 5) – Clamp-On Ground Cable Only	FC001091
*Mechanical Splice Kit. Includes 10 pieces of VHB tape. Used in all splice trays. Each piece holds 12 splices.	FA000089
O-Ring and Lock Ring Kit – For use with LG-350/350AC/SD	FC000775

* See Accessory Specifications. See Splice Tray Specifications.
Micro Duct Grommets available. Please call Customer Service for details.

Qualifications

GOVERNING BODY	STANDARD CODE
Telcordia	GR-771
Rural Utilities Service (RUS)	Listed

Contact AFL for further details.



LightGuard® 350-AC Drop Access Sealed Fiber Optic Splice Closure

The LightGuard (LG) 350-AC is a sealed dome closure designed for medium count fiber splicing (up to 144 single or 432 mass) in a butt configuration where space may be limited. Utilized in aerial or underground environments where a sealed closure is required, the LG-350-AC is designed for “drop access” applications providing access for up to 12 drops. The LG-350-AC is ideal for Fiber-to-the-Home installations in small hand-hole application and requires only a common can wrench for installation.

Features

- Less than 20" overall length; ideal for small hand-holes
- Supports stranded loose tube or ribbon fiber cables in either armored or dielectric configurations
- Installation and re-entry requires only a common can wrench
- Fully sealed to protect fiber and splices ensuring longevity
- Fully kitted with all parts to install two cables and up to 12 drops

Specifications

PARAMETER	VALUE	
Splice Capacity (Max.)—Single, Mass, Mechanical	144, 432, 48	
Number of Splice Trays (Max.) - Single, Mass, Mechanical*	4, 3, 4	
Cable Entrance Configuration	Butt	
Cables	2 to 8 Express with up to 12 Drop	
Cable Sizes (Min. O.D. - Max. O.D.)	(2) Express Ports	(3) Drop Ports
Included Grommets	0.40" - 1.00" (10.0 - 25.4)	
Single in. (mm)		
(4) Flat Drop Only in. (mm)		(4 port) 0.26" - 0.80" (6.6 - 20.0)
Additional Grommets		
Dual Express Port Only in. (mm)	0.26" - 0.44" (6.6 - 11.2)	
Quad Express Port Only in. (mm)	0.26" - 0.38" (6.6 - 9.7)	
(4) Flat Drop Port Only in. (mm)		0.19" x 0.34" (4.8 x 8.6) or 0.25" round (6.4)
Dimensions - (L x D) in. (mm)	19.8" x 10.0" (503.0 x 254.0)	
Weight - lbs. (kg)	12.0 (5.44)	

continued
→

LightGuard® 350-AC Drop Access Sealed Fiber Optic Splice Closure

Ordering Information

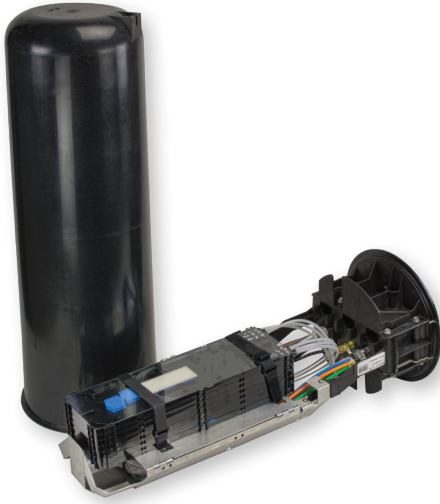
DESCRIPTION	AFL NO.
LG-350-AC Fiber Optic Splice Closure—Stores 144 single fusion or 432 mass fusion, includes (2) Express cable kits and (12) Drop cable kits for sealing/retention and (2) ground terminals with removable bond. Included: (1) LL-4808L Splice Tray Not included: Cable Grounding Kits, or Hanger Brackets	FC000412
LL-4808L-R Universal Splice Tray—Stores (36) single fusion splices or (12) mass fusion splices (144 F). Maximum of 4 trays in the LG-350-AC.	FA000037
LL-4808-R Mass Splice Tray—Stores (12) mass fusion splices (144 F). Maximum of 4 trays in the LG-350-AC	FA000020
LL-4808-L Single Splice Tray—Stores (36) single fusion splices. Maximum of 4 trays in the LG-350-AC	FA000021
LG-350 Single Grommet Kit (Min. 0.40" - Max. 1.00")—For use in LG-55/LG-350/LG-350-AC on Express Port side	FC000726
LG-350 Dual Grommet Kit (Min. 0.26" - Max. 0.44")—For use in LG-55/LG-350/LG-350-AC on Express Port side	FC000337
LG-350 Quad Grommet Kit (Min. 0.26" - Max. 0.38")—For use in LG-55/LG-350/LG-350-AC on Express Port side	FC000421
LG-350 Single Grommet Kit (Min. 0.26" - Max. 0.80")—For use in LG-350/AC/SD on Drop Port side	FC000727
LG-350 Drop 4 Flat Drop Grommet Kit—For use with standard flat drop cable and round cable up to 0.25" O.D.	FC000422
Universal Aerial Strand Hanger Kit—For use with LG-150/250/350	FC000006
Extended Offset Strand Hanger Kit—For use with LG-150/250/350	FC000208
PWK Pole or Wall Mount Bracket—For use with LG-150/250/350	LGBR-30
OPGW Dual Cable Bracket Kit—For use with LG-150/250/350	FC000683
1x6 Fiber Router Kit with furcation tubes	FC000070
CGK-5 Cable Grounding Kit (pack of 5)—Clamp-On Ground Cable Only	FC001091
*Mechanical Splice Kit. Includes 10 pieces of VHB tape. Used in all splice trays. Each piece holds 12 splices.	FA000089
LG-350 O-Ring and Lock Ring Kit—For use with LG-350/AC/SD	FC000775

* See Accessory Specifications.
See Splice Tray Specifications.

Qualifications

GOVERNING BODY	STANDARD CODE
Telcordia	GR-771
Rural Utilities Service (RUS)	Listed

Contact AFL for further details.



LightGuard® 350XL Sealed Fiber Optic Splice Closure

The LightGuard (LG) 350XL is a sealed dome closure designed for large count fiber splicing (up to 864 single or 2592 mass) in a butt configuration. Utilized in aerial or underground environments where a sealed closure is required, the LG-350XL is ideal for high fiber count splicing and requires only a common can wrench for installation. A Phillips head screw is used to secure the tray support to the basket.

Features

- Supports stranded loose tube or ribbon fiber cables in either armored or dielectric configurations
- Installation and re-entry requires only a common can wrench
- Fully sealed to protect fiber and splices ensuring longevity
- Fully kitted with all parts to install five cables
- Accommodates up to 7 cables
- Oversized basket allows multiple configurations of slack storage
- O-Ring and Locking Ring for increased protection

Specifications

PARAMETER	VALUE	
Splice Capacity (Max.)—Single, Mass, Mechanical	864, 2592, 288	
Number of Splice Trays (Max.)—Single, Mass, Mechanical*	9, 9, 9	
Cable Entrance Configuration	Butt	
Cables	5 to 7	
Cable Sizes (Min. O.D. - Max. O.D.)	(2) Express Ports	(3) Drop Ports
Included Grommets	0.40" - 1.18"	0.30" - 1.08"
Single in. (mm)	(10.0 - 30.0)	(7.6 - 27.4)
Additional Grommets	0.38" - 0.56"	
Dual Exp. Port Only in. (mm)	(9.7 - 14.2)	
Dimensions - (L x D) in. (mm)	31.0" x 12.00" (788.5 x 305.0)	
Weight - lbs. (kg)	25.0 (11.3)	

continued
→

LightGuard® 350XL Sealed Fiber Optic Splice Closure

Ordering Information

DESCRIPTION	AFL NO.
LG-350XL-U-0 Fiber Optic Splice Closure – Stores 864 single fusion or 2592 mass fusion, includes (5) cable kits for sealing/retention and (2) ground terminals with removable bond. Not included: Splice Trays, Cable Grounding Kits or Hanger Brackets	FC000010-PS
LL-4896 Universal Splice Tray – Stores (96) single fusion splices or (24) mass fusion splices (288 F), *Mechanical. Max. of 9 trays in the LG-350XL	911676-00-02
LL-4896-R Mass Splice Tray – Stores (24) mass fusion splices (288 F). Max. of 9 trays in the LG-350XL	FA000022
LL-4896-L Single Splice Tray – Stores (96) single fusion splices. Max. of 9 trays in the LG-350XL	FA000023
LG-350XL Single Grommet Kit (Min. 0.40" - Max. 1.18") – For use in LG-350XL on Express Port side	FC000870
LG-350XL Dual Grommet Kit (Min. 0.38" - Max. 0.56") – For use in LG-350XL on Express Port side	FC000688
LG-350XL Single Grommet Kit (Min. 0.30" - Max. 1.08") – For use in LG-350XL on Drop Port side	FC000871
LG-350XL Drop 4 Flat Drop Grommet Kit – For use with standard flat drop cable and round cable up to 0.25" O.D.	FC001713
Strand Mount Hanger Bracket – For use with LG-350XL in strand or vault mounting	912215-00-00
1x6 Fiber Router Kit with furcation tubes	FC000070
CGK-5 Cable Grounding Kit (pack of 5) – Clamp-On Ground Cable Only	FC001091
*Mechanical Splice Kit. Includes 10 pieces of VHB tape. Used in all splice trays. Each piece holds 12 splices.	FA000089
O-Ring and Lock Ring Kit – For use with LG-350XL	FC001328
Transition tubing 16.25" long – Used to transport ribbon to the splice trays. (20) per kit	FC001372

* See LL-4896 Splice Tray Specifications.

Qualifications

GOVERNING BODY	STANDARD CODE
Telcordia	GR-771
Rural Utilities Service (RUS)	Listed

Contact AFL for further details.



LightGuard® Aerial Weathertight Fiber Optic Splice Closures

The AFL family of Aerial Weathertight Splice Closures is designed to provide a cost-effective solution for your aerial splicing needs. Quality engineering reduces the installation time, training and complexity associated with fiber splicing in the field. The closures have all been designed to be installed without the need for special tools, heat, adhesives, drills or any powered equipment. Durable and easy to install, these closures will improve productivity, reduce labor expenses and last the life of the plant.

Features

- Individual, patented, self-sizing cable grommets and strength member tie downs provide for cable additions without disturbing those previously installed
- Unique tongue-in-groove closure seal and back-to-back grommet design provides for a weathertight and insect seal
- Closures are re-enterable without the need for any re-entry kits and require only a common can wrench for installation

Specifications

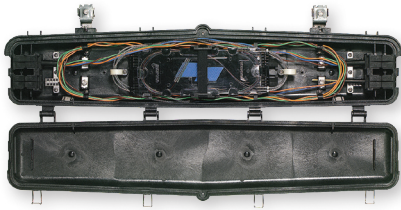
PARAMETER	LG-410-U-0	LG-420-U-0	LG-500-U-0	LG-600-U-0
Splice Capacity (Max.) – Single, Mass, Mechanical	144, 432, 36	12, 48, 12	144, 432, 36	384, 1152, 96
Splice Tray Capacity – Single, Mass	4, 2	n/a, n/a	4, 2	12, 8, 8
Cable Ports	4-8	4-6	4-8	6 (3 per end)
Cable Entrance	In-line, Butt	In-line (taut sheath)	In-line, Butt	In-line, Butt
Cable Sizes (O.D.)	4 @ 0.3-0.82" Up to 8 with Dual Grommet Kits 4 @ 0.27-0.53" 4 @ 0.38-0.70"	4 @ 0.3-0.82" Up to 6 with Dual Grommet Kits 2 @ 0.27-0.53" 2 @ 0.38-0.70"	4 @ 0.3-0.82" Up to 8 with Dual Grommet Kits 4 @ 0.27-0.53" 4 @ 0.38-0.70"	6 @ 0.44 - 1.0" Up to 12 with Dual Grommet Kits 6 @ 0.4-0.6" 6 @ 0.7-0.9"
CLOSURE TEST ^{1,2}				
- Cable Retention (100 lbs.)	Passed	Passed	Passed	Passed
- Impact Resistance (0-40 °C)	Passed	Passed	Passed	Passed
- Chemical Resistance	Passed	Passed	Passed	Passed
- Cable Flexing	Passed	Passed	Passed	Passed
- Dust (Weather Tightness)	Passed	Passed	Passed	Passed
- Driving Rain	Passed	Passed	Passed	Passed
- Rodent Test	Passed	Passed	Passed	Passed
Dimensions (L x W x D) in. (cm)	36.00 x 8.00 x 4.00 (91.44 x 20.32 x 10.16)	36.00 x 8.00 x 4.00 (91.44 x 20.32 x 10.16)	27.00 x 8.25 x 4.00 (68.58 x 20.96 x 10.16)	27.00 x 11.25 x 7.50 (68.58 x 28.58 x 19.05)
Weight lbs. (kg)	8.5 (3.86)	8.5 (3.86)	6.4 (2.90)	18 (8.16)

- NOTES:**
1. Tested to Telcordia GR-771-Core and Aerial Strand requirements
 2. Not all Telcordia tests are listed due to space constraints; All closures are designed and tested to appropriate aerial test requirements

Qualifications

GOVERNING BODY	STANDARD CODE
Telcordia	GR-771
Rural Utilities Service (RUS)	Listed

Contact AFL for further details.



LightGuard® 410 Aerial Weathertight Fiber Optic Splice Closure

The LightGuard (LG) 410 Aerial Weathertight Fiber Optic Splice Closure is designed for medium count fiber splicing (up to 144 single or 432 mass) in a butt or in-line configuration. Utilized in aerial applications, the LG-410 provides additional fiber bundle storage with its extended length design and requires only a common can wrench for installation.

Features

- Four individual, self-sizing grommeted cable ports (expandable to eight cable entrances)
- Patented tongue-in-groove cover seal system
- Installation and re-entry only require a common can wrench
- Cable retention clamps provide pullout
- UV-resistant engineered thermoplastic

Specifications

PARAMETER	VALUE
Splice Capacity (Max.) – Single, Mass, Mechanical	144/432/36
Number of Splice Trays (Max.) – Single, Mass, Mechanical*	4, 3, 4
Cable Entrance Configuration	Butt or in-line
Cables	4 to 8
Cable Sizes (Min. O.D. - Max. O.D.) Included Grommets Single in. (mm) Additional Grommets Dual Grommet in. (mm) 6-port Multi-Drop Grommet in. (mm)	(4) Cable Ports 4 @ 0.38" - 0.82" (7.6 - 20.8) Sm: 0.27" - 0.53" (6.9 - 13.5) Lg: 0.38" - 0.70" (9.5 - 17.8) 0.20" - 0.37" (5.1 - 9.4)
Dimensions – (L x D) in. (mm)	36.00" x 8.0" x 4.0" (914.0 x 203.0 x 102.0)
Weight – lbs. (kg)	8.5 (3.81)

continued
→

LightGuard® 410 Aerial Weathertight Fiber Optic Splice Closure

Ordering Information

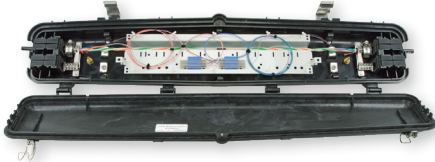
DESCRIPTION	MODEL NO.	AFL NO.
LG-410 Aerial Weathertight Fiber Optic Splice Closure – Stores 144 single fusion or 432 mass fusion, includes (4) cable kits for sealing/retention and (2) ground terminals with removable bond, and hanger brackets. Not included: Splice Trays or Cable Grounding Kits	LG-410-U-0	FC000022
LL-2400 Single Splice Tray – Stores (24) single fusion splices. Maximum of 4 trays in the LG-410.	LL-2400	91710-06
LL-2448 Universal Splice Tray – Stores (24) single fusion or (4) mass fusion splices (48 F). Maximum of 3 trays in the LG-410.	LL-2448	911289-00-02
LL-4848 Mass Splice Tray – Stores (12) mass fusion splices (144 F). Maximum of 3 trays in the LG-410.	LL-4848	911437-00-02
LL-2448-48S Single Splice Tray – Stores (48) single fusion splices. Maximum of 3 trays in the LG-410.	LL-2448-48S	FA000045
Small Single Grommet Kit (10 pc grommet only) – (Min 0.38" - Max 0.82")	Small Single Grommet Kit (10)	911496-00-00
Small Dual Grommet Kit – Includes: (2) small dual grommets and hardware (Min 0.27" - Max 0.53" and Min 0.38" - Max 0.70")	Small Dual Grommet Kit	911386-00-01
Small Dual Grommet Kit (10 pc grommet only) – (Min 0.27" - Max 0.53" and Min 0.38" - Max 0.70")	Small Dual Grommet Kit (10)	911495-00-00
Small 6-Port Drop Cable Kit – 2 grommets with tie wrap and foam Allows six cable entries (Min 0.20" - Max 0.365" and flat drop)	Small 6 Port Drop Kit	FC000573
Large Single Grommet Kit with retention hardware (Min 0.44" - Max 1.04")	Large Single Grommet Kit	FC000623
Small 6-Port Drop Cable Kit (10 pc grommet only) (Min 0.20" - Max 0.365" and flat drop)	Small Drop Grommet Kit (10)	FC000644
Large Single Grommet Kit (10 pc grommet only) (Min 0.44" - Max 1.04")	Large Single Grommet Kit (10)	91918-00
Large Dual Grommet Expansion Kit—Includes: (2) Dual grommets and hardware (Min .40"-Max .70" and Min 0.60" - Max 0.90")	Large Dual Grommet Kit	911406-00-00
Large 6 Port Drop Cable Kit—2 Grommets with retention bracket. Allows six cable entries (Min 0.23" - Max 0.48" and flat drop)	Large 6 Port Drop Kit	FC000352
Adjustable Aerial Hanger Kit Bracket Kit (included with closure)	Adjustable Hanger LG-400/500/600	911497-00-00
Extended Offset Aerial Hanger Kit LG-400/500/600	Offset Hanger LG-400/500/600	91990-00
Retention hardware for additional cables or replacement hardware—LG-400/500/600 (no grommets)	Cable Retention Kit LG-400\500\600	FC000356
Closure Extension Kit - Used to join multiple closures for extended sheath openings required to repair cable sheath and damaged fibers	Closure Extension Kit LG-400/500/600	911499-00-00
1x6 Fiber Router Kit with furcation tubes.	1x6 Fiber Router	FC000070
Cable Grounding Kit (pack of 5)—Clamp-On Ground Cable Only	CGK-5	FC001091
*Mechanical Splice Kit. Includes 10 pieces of VHB tape. Used in all splice trays. Each piece holds 12 splices.	VHB Tape	FA000089

* See Accessory Specifications. See Splice Tray Specifications.

Qualifications

GOVERNING BODY	STANDARD CODE
Telcordia	GR-771
Rural Utilities Service (RUS)	Listed

Contact AFL for further details.



LightGuard® 420 Aerial Weathertight Fiber Optic Splice Closure

The LightGuard (LG) 420 Aerial Weathertight Fiber Optic Splice Closure is designed for taut sheath (no slack) splicing (up to 24 single or 48 mass) in an in-line configuration. Utilized in aerial applications, the LG-420 is ideal for repairing cable sheath or fibers, providing mid-span access and requires only a common can wrench for installation.

Features

- Four individual, self-sizing grommets cable ports (expandable to eight cable entrances)
- Taut Sheath splice module accommodates up to 12 fusion splices
- Protective channel allowing taut fibers or bundles to pass through the closure
- Patented tongue-in-groove cover seal system
- Installation and re-entry only require a common can wrench
- Cable retention clamps provide pullout
- UV-resistant engineered thermoplastic

Specifications

PARAMETER	VALUE
Splice Capacity (Max.) – Single, Mass, Mechanical	24, 48, 12
Number of Splice Trays (Max.) – Single, Mass, Mechanical*	Splice chips for 24F single fusion splice (incl.)
Cable Entrance Configuration	In-line (taut sheath)
Cables	4 to 8
Cable Sizes (Min. O.D. - Max. O.D.) Included Grommets Single in. (mm) Additional Grommets Dual Grommet in. (mm)	(4) Cable Ports 4 @ 0.38" - 0.82" (7.6 - 20.8) Sm: 0.27" - 0.53" (6.9 - 13.5) Lg: 0.38" - 0.70" (9.5 - 17.8)
6-port Multi-Drop Grommet in. (mm)	0.20" - 0.37" (5.1 - 9.4)
Dimensions – (L x D) in. (mm)	36.0" x 8.0" x 4.0" (914.0 x 203.0 x 102.0)
Weight – lbs. (kg)	8.5 (3.81)

continued
→

LightGuard® 420 Aerial Weathertight Fiber Optic Splice Closure

Ordering Information

DESCRIPTION	MODEL NO.	AFL NO.
LG-420 Aerial Weathertight Fiber Optic Splice Closure – Stores 12 single fusion or 48 mass fusion, includes (4) cable kits for sealing/retention and (2) ground terminals with removable bond, splice chips and hanger brackets. Not included: Cable Grounding Kits	LG-420-U-0	FC000023
Small Single Grommet Kit (10 pc grommet only) (Min 0.38" - Max 0.82")	Small Single Grommet Kit (10)	911496-00-00
Small Dual Grommet Kit – Includes: (2) small dual grommets and hardware (Min 0.27" - Max 0.53" and Min 0.38 - Max 0.70")	Small Dual Grommet Kit	911386-00-01
Small Dual Grommet Kit (10 pc grommet only) (Min 0.27" - Max 0.53" and Min 0.38 - Max 0.70")	Small Dual Grommet Kit (10)	911495-00-00
Small 6-Port Drop Cable Kit – 2 grommets with tie wrap and foam. Allows six cable entries (Min 0.20" - Max 0.365" and flat drop)	Small 6 Port Drop Kit	FC000644
Adjustable Aerial Hanger Kit Bracket Kit (included with closure)	Adjustable Hanger LG-400/500/600	911497-00-00
Extended Offset Aerial Hanger Kit LG-400/500/600	Offset Hanger LG-400/500/600	91990-00
Retention hardware for additional cables or replacement hardware – LG-400/500/600 (no grommets)	Cable Retention Kit LG-400/500/600	FC000356
Closure Extension Kit – Used to join multiple closures for extended sheath openings required to repair cable sheath and damaged fibers	Closure Extension Kit LG-400/500/600	911499-00-00
1x6 Fiber Router Kit with furcation tubes	1x6 Fiber Router	FC000070
Cable Grounding Kit (pack of 5) – Clamp-On Ground Cable Only	CGK-5	FC001091
*Mechanical Splice Kit. Includes 10 pieces of VHB tape. Used in all splice trays. Each piece holds 12 splices.	VHB Tape	FA000089

* See Accessory Specifications. See Splice Tray Specifications.

Qualifications

GOVERNING BODY	STANDARD CODE
Telcordia	GR-771
Rural Utilities Service (RUS)	Listed

Contact AFL for further details.



LightGuard® 420 FTTx Aerial Weathertight Fiber Optic Splice Closure

The LightGuard (LG) 420 FTTx Aerial Weathertight Fiber Optic Splice Closure is designed for taut sheath (no slack) splicing (up to 32 single) in an in-line configuration. Utilized in aerial applications, the LG-420-FTTx is ideal for FTTx access networks by providing access for up to 12 drop cables and 16 connections, requiring only a common can wrench for installation.

Features

- Four individual, self-sizing grommeted cable ports:
 - 2 express ports
 - 2 multi-drop ports
- 12 drop cables and 16 connections
- Special multi-drop grommet and cable retention
- Special lock-out interior enclosure
- Patented tongue-in-groove cover seal system
- Installation and re-entry only require a common can wrench
- Cable retention clamps provide pullout
- UV resistant engineered thermoplastic

Specifications

PARAMETER	VALUE
Splice Capacity (Max.) – Single, Mass, Mechanical	32, n/a, 12
Number of Splice Trays (Max.) – Single, Mass, Mechanical*	1, n/a, 1
Cable Entrance Configuration	In-line (taut sheath)
Cables	2 to 4 Express with up to 12 Drop
Cable Sizes (Min. O.D. - Max. O.D.) Included Grommets	(4) Cable Ports
Single in. (mm)	2 @ 0.38" - 0.82" (7.6 - 20.8)
6-port Multi-Drop Grommet in. (mm)	2 (6 port) @ 0.20" - 0.37" (5.1 - 9.4)
Additional Grommets	
Dual Grommet in. (mm)	Sm: 0.27" - 0.53" (6.9 - 13.5)
	Lg: 0.38" - 0.70" (9.5 - 17.8)
6-port Multi-Drop Grommet in. (mm)	0.20" - 0.37" (5.1 - 9.4)
Dimensions – (L x D) in. (mm)	36.0" x 8.0" x 4.0" (914.0 x 203.0 x 102.0)
Weight – lbs. (kg)	8.5 (3.81)

continued
→

LightGuard® 420 FTTx Aerial Weathertight Fiber Optic Splice Closure

Ordering Information

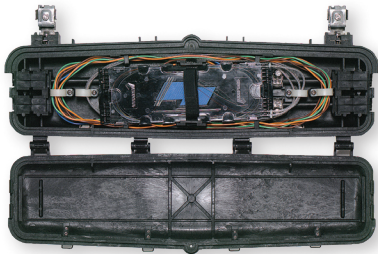
DESCRIPTION	MODEL NO.	AFL NO.
The AFL LightGuard (LG) 420 FTTx Aerial Weathertight Fiber Optic Splice Closures are designed to allow taut sheath (no slack) or conventional splicing in aerial applications such as FTTx access networks. The LG-420 FTTx provides access for 1 to 16 connections and up to 12 subscriber drops and requires only a common can wrench for installation. Includes: Hanger Brackets and Splice Tray. Not included: Cable Grounding Kits.	LG-420-U-FTTx	FC000099
LL-2425 Single Splice Tray – Stores (32) single fusion splices. Maximum of 1 tray in the LG-420-FTTx.	LL-2425	FC000053
Small Single Grommet Kit of (10 pc grommet only) – (Min .38" - Max .82")	Small Single Grommet Kit (10)	911496-00-00
Small Dual Grommet Kit – Includes: (2) small dual grommets and hardware (Min .27" - Max .53" and Min .38" - Max .70")	Small Dual Grommet Kit	911386-00-01
Small Dual Grommet Kit (10 pc grommet only) – (Min .27" - Max .53" and Min .38" - Max .70")	Small Dual Grommet Kit (10)	911495-00-00
Small 6-Port Drop Cable Kit – 2 grommets with tie wrap and foam. Allows six cable entries (Min 0.20" - Max 0.365" and flat drop)	Small 6 Port Drop Kit	FC000644
Adjustable Aerial Hanger Kit Bracket Kit (included with closure)	Adjustable Hanger LG-400/500/600	911497-00-00
Extended Offset Aerial Hanger Kit LG-400/500/600	Offset Hanger LG-400/500/600	91990-00
Retention hardware for additional cables or replacement hardware – LG-400/500/600 (no grommets)	Cable Retention Kit LG-400/500/600	FC000356
Closure Extension Kit – Used to join multiple closures for extended sheath openings required to repair cable sheath and damaged fibers	Closure Extension Kit LG-400/500/600	911499-00-00
1x6 Fiber Router Kit with furcation tubes.	1x6 Fiber Router	FC000070
Cable Grounding Kit (pack of 5) – Clamp-On Ground Cable Only	CGK-5	FC001091
*Mechanical Splice Kit. Includes 10 pieces of VHB tape. Used in all splice trays. Each piece holds 12 splices.	VHB Tape	FA000089

* See Accessory Specifications. See Splice Tray Specifications.

Qualifications

GOVERNING BODY	STANDARD CODE
Telcordia	GR-771
Rural Utilities Service (RUS)	Listed

Contact AFL for further details.



LightGuard® 500 Aerial Weathertight Fiber Optic Splice Closure

The LightGuard (LG) 500 Aerial Weathertight Fiber Optic Splice Closure is designed for medium count fiber splicing (up to 144 single or 432 mass) in a butt or in-line configuration. Utilized in aerial applications, the LG-500 is ideal for congested aerial construction due to its compact design and requires only a common can wrench for installation.

Features

- Four individual, self-sizing grommeted cable ports (expandable up to eight cable entrances)
- Patented tongue-in-groove cover seal system
- Installation and re-entry only require a common can wrench
- Cable retention clamps provide pullout
- UV resistant engineered thermoplastic

Specifications

PARAMETER	VALUE
Splice Capacity (Max.) – Single, Mass, Mechanical	144, 432, 36
Number of Splice Trays (Max.) – Single, Mass, Mechanical*	4, 3, 4
Cable Entrance Configuration	Butt or in-line
Cables	4 to 8
Cable Sizes (Min. O.D. - Max. O.D.) Included Grommets Single in. (mm) Additional Grommets Dual Grommet in. (mm)	(4) Cable Ports 4 @ 0.38" - 0.82" (7.6 - 20.8) Sm: 0.27" - 0.53" (6.9 - 13.5) Lg: 0.38" - 0.70" (9.5 - 17.8)
6-port Multi-Drop Grommet in. (mm)	0.20" - 0.37" (5.1 - 9.4)
Dimensions – (L x D) in. (mm)	27.0" x 8.3" x 4.0" (686.0 x 210.0 x 102.0)
Weight – lbs. (kg)	6.4 (2.90)

continued
→

LightGuard® 500 Aerial Weathertight Fiber Optic Splice Closure

Ordering Information

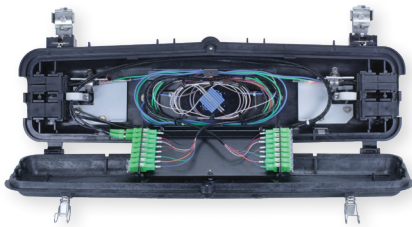
DESCRIPTION	MODEL NO.	AFL NO.
LG-500 Aerial Weathertight Fiber Optic Splice Closure – Stores 144 single fusion or 432 mass fusion, includes (4) cable kits for sealing/retention and (2) ground terminals with removable bond, and hanger brackets. Not included: Splice Trays or Cable Grounding Kits	LG-500-U-0	FC000026
LL-2400 Single Splice Tray – Stores (24) single fusion splices. Maximum of 4 trays in the LG-500.	LL-2400	91710-06
LL-2448 Universal Splice Tray – Stores (24) single fusion or (4) mass fusion splices (48 F) , *Mechanical. Maximum of 3 trays in the LG-500.	LL-2448	911289-00-02
LL-4848 Mass Splice Tray – Stores (12) mass fusion splices (144 F). Maximum of 3 trays in the LG-500.	LL-4848	911437-00-02
LL-2448-48S Single Splice Tray – Stores (48) single fusion splices. Maximum of 3 trays in the LG-500.	LL-2448-48S	FA000045
Small Single Grommet Kit (10 pc grommet only) – (Min 0.38" - Max 0.82")	Small Single Grommet Kit (10)	911496-00-00
Small Dual Grommet Kit – Includes: (2) small dual grommets and hardware (Min 0.27" - Max 0.53" and Min 0.38" - Max 0.70")	Small Dual Grommet Kit	911386-00-01
Small 6-Port Drop Cable Kit – 2 grommets with tie wrap and foam. Allows six cable entries. (Min 0.20" - Max 0.365" and flat drop)	Small 6 Port Drop Kit	FC000573
Adjustable Aerial Hanger Kit Bracket Kit (included with closure)	Adjustable Hanger LG-400/500/600	911497-00-00
Extended Offset Aerial Hanger Kit for LG-400/500/600	Offset Hanger LG-400/500/600	91990-00
Retention hardware for additional cables or replacement hardware – LG-400/500/600 (no grommets)	Cable Retention Kit LG 400/500/600	FC000356
Closure Extension Kit – Used to join multiple closures for extended sheath openings required to repair cable sheath and damaged fibers	Closure Extension Kit LG-400/500/600	911499-00-00
1x6 Fiber Router Kit with furcation tubes.	1x6 Fiber Router	FC000070
Cable Grounding Kit (pack of 5) – Clamp -On Ground Cable Only	CGK-5	FC001091
*Mechanical Splice Kit. Includes 10 pieces of VHB tape. Used in all splice trays. Each piece holds 12 splices.	VHB Tape	FA000089

* See Accessory Specifications. See Splice Tray Specifications.

Qualifications

GOVERNING BODY	STANDARD CODE
Telcordia	GR-771
Rural Utilities Service (RUS)	Listed

Contact AFL for further details.



LightGuard® 500 FTTx Aerial Weathertight Fiber Optic Splice Closures

The LightGuard (LG) 500 FTTx Aerial Weathertight Fiber Optic Splice Closure is designed for small count fiber splicing (up to 32 single or 48 mass) in a butt or in-line configuration. Utilized in aerial applications, the LG-500-FTTx is ideal for FTTx access networks by providing cable entry and connectivity for up to 12 drop cables and 16 connections, requiring only a common can wrench for installation.

Features

- Four individual, self-sizing grommets cable ports:
 - 2 express ports
 - 2 multi-drop ports
- 12 drop cables and 16 connections
- Special multi-drop grommet and cable retention
- Special lock-out interior enclosure
- Patented tongue-in-groove cover seal system
- Installation and re-entry only require a common can wrench
- Cable retention clamps provide pullout
- UV resistant engineered thermoplastic

Specifications

PARAMETER	VALUE
Splice Capacity (Max.) – Single, Mass, Mechanical	32, 48, 12
Number of Splice Trays (Max.) – Single, Mass, Mechanical*	1, 1, 1
Cable Entrance Configuration	Butt or in-line
Cables	2 to 4 Express with up to 12 Drop
Cable Sizes (Min. O.D. - Max. O.D.) Included Grommets	(4) Cable Ports
Single in. (mm)	4 @ 0.38" - 0.82" (7.6 - 20.8)
6-port Multi-Drop Grommet in. (mm)	2 (6 port) @ 0.20" - 0.37" (5.1 - 9.4)
Additional Grommets	
Dual Grommet in. (mm)	Sm: 0.27" - 0.53" (6.9 - 13.5) Lg: 0.38" - 0.70" (9.5 - 17.8)
6-port Multi-Drop Grommet in. (mm)	0.20" - 0.37" (5.1 - 9.4)
Dimensions – (L x D) in. (mm)	27.0" x 8.3" x 4.0" (686.0 x 210.0 x 100.0)
Weight – lbs. (kg)	10.1 (4.58)

continued
→

LightGuard® 500 FTTx Aerial Weathertight Fiber Optic Splice Closure

Ordering Information

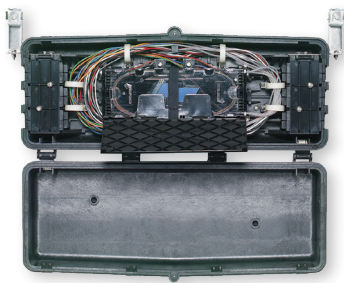
DESCRIPTION	MODEL NO.	AFL NO.
LG-500-FTTx Aerial Weathertight Fiber Optic Splice Closure – Stores 32 single fusion or 48 mass fusion, includes (4) cable kits for sealing/retention and (2) ground terminals with removable bond, (1) splice tray, and hanger brackets. Not included: Cable Grounding Kits, SCAPC Adapters	LG-500-FTTx	FC000899
LL-2425 Single Splice Tray – Stores (32) single fusion splices. Maximum of 1 tray in the LG-500-FTTx.	LL-2425	FC000053
Small Single Grommet Kit of (10 pc grommet only) – (Min 0.38" - Max 0.82")	Small Single Grommet Kit (10)	911496-00-00
Small Dual Grommet Kit – Includes: (2) small dual grommets and hardware (Min 0.27" - Max 0.53" and Min 0.38" - Max 0.70")	Small Dual Grommet Kit	911386-00-01
Small Dual Grommet Kit (10 pc grommet only) – (Min 0.27" - Max 0.53" and Min 0.38" - Max 0.70")	Small Dual Grommet Kit (10)	911495-00-00
Small 6-Port Drop Cable Kit – 2 grommets with tie wrap and foam tape. Allows six cable entries. (Min 0.20" - Max 0.37" and flat drop)	Small 6 Port Drop Kit	FC000573
Adjustable Aerial Hanger Kit Bracket Kit (included with closure)	Adjustable Hanger LG-400/500/600	911497-00-00
Extended Offset Aerial Hanger Kit LG-400/500/600	Offset Hanger LG-400/500/600	91990-00
Retention hardware for additional cables or replacement hardware – LG-400/500/600 (no grommets)	Cable Retention Kit LG-400/500/600	FC000356
Closure Extension Kit – Used to join multiple closures for extended sheath openings required to repair cable sheath and damaged fibers	Closure Extension Kit LG-400/500/600	911499-00-00
1x6 Fiber Router Kit with furcation tubes	1x6 Fiber Router	FC000070
Cable Grounding Kit (pack of 5) – Clamp -On Ground Cable Only	CGK-5	FC001091
Mechanical Splice Kit*. Includes 10 pieces of VHB tape. Used in all splice trays. Each piece holds 12 splices.	VHB Tape	FA000089
Single-mode SC Simplex Adapter, Flangeless, Green	SC/APC Adapter	CS009394
SC/APC 900 μm Pigtail, 1.5 Meter Length	ASC, XXX, JH, 001, Q, 001.5, White	CS012973C-001.5

* See Accessory Specifications. See Splice Tray Specifications.

Qualifications

GOVERNING BODY	STANDARD CODE
Telcordia	GR-771
Rural Utilities Service (RUS)	Listed

Contact AFL for further details.



LightGuard® 600 Aerial Weathertight Fiber Optic Splice Closure

The LightGuard (LG) 600 Aerial Weathertight Fiber Optic Splice Closure is designed for high count fiber splicing (up to 384 single or 1152 mass) in a butt or in-line configuration. Utilized in aerial applications, the LG-600 is an ideal cost-effective solution for high fiber count splicing and requires only a common can wrench for installation.

Features

- Six individual, self-sizing grommets cable ports (expandable to 12 cable entrances)
- Patented tongue-in-groove cover seal system
- Installation and re-entry only require a common can wrench
- Integrated grounding clamp through aerial hangers
- Cable retention clamps provide pullout
- UV resistant engineered thermoplastic

Specifications

PARAMETER	VALUE
Splice Capacity (Max.) – Single, Mass, Mechanical	384, 1152, 36
Number of Splice Trays (Max.) – Single, Mass, Mechanical*	12, 8, 8
Cable Entrance Configuration	Butt or in-line
Cables	6 to 24
Cable Sizes (Min. O.D. - Max. O.D.) Included Grommets Single in. (mm)	(6) Cable Ports 0.44" - 1.00" (11.2 - 25.4)
Additional Grommets Dual Grommet in. (mm)	Sm: 0.40" - 0.70" (10.0 - 17.8) Lg: 0.60" - 0.90" (15.3 - 22.9)
6-port Multi-Drop Grommet in. (mm)	0.30" - 0.48" (7.6 - 17.8)
Dimensions – (L x D) in. (mm)	27.0" x 11.3" x 7.5" (690.0 x 286.0 x 190.5)
Weight – lbs. (kg)	18.0 (8.16)

continued
→

LightGuard® 600 Aerial Weathertight Fiber Optic Splice Closure

Ordering Information

DESCRIPTION	MODEL NO.	AFL NO.
LG-600 Aerial Weathertight Fiber Optic Splice Closure – Stores 384 single fusion or 1152 mass fusion, includes (4) cable kits for sealing/retention and (2) ground terminals with removable bond and hanger brackets. Not included: Splice Trays or Cable Grounding Kits	LG-600-U-0	FC000029
LL-2400 Single Splice Tray – Stores (24) single fusion splices. Maximum of 12 trays in the LG-600.	LL-2400	91710-06
LL-2448 Universal Splice Tray – Stores (24) single fusion or (4) mass fusion splices (48 F). Maximum of 8 trays in the LG-600, *Mechanical	LL-2448	911289-00-02
LL-4848 Mass Splice Tray – Stores (12) mass fusion splices (144 F). Maximum of 8 trays in the LG-600.	LL-4848	911437-00-02
LL-2448-48S Single Splice Tray – Stores (48) single fusion splices. Maximum of 8 trays in the LG-600.	LL-2448-48S	FA000045
Large Single Grommet Kit with retention hardware (Min 0.44" - Max 1.00")	Large Single Grommet Kit	FC000623
Large Single Grommet Kit (10 pc grommet only) – (Min 0.44" - Max 1.00")	Large Single Grommet Kit (10)	91918-00
Large Dual Grommet Expansion Kit – Includes: (2) Dual grommets and hardware (Min 0.40" - Max 0.70" and Min 0.60" - Max 0.90")	Large Dual Grommet Kit	911406-00-00
Large 6 Port Drop Cable Kit – 2 Grommets with retention bracket. Allows six cable entries. (Min 0.23" - Max 0.48" and flat drop)	Large 6 Port Drop Kit	FC000352
Adjustable Aerial Hanger Kit Bracket Kit (included with closure)	Adjustable Hanger LG-400/500/600	911497-00-00
Extended Offset Aerial Hanger Kit LG-400/500/600	Offset Hanger LG-400/500/600	91990-00
SC 6-pack bracket kit for LG-600	Bracket Kit (6-pack SC) LG-600	FM001294
Retention hardware for additional cables or replacement hardware – LG-400/500/600 (no grommets)	Cable Retention Kit LG-400/500/600	FC000356
Closure Extension Kit – Used to join multiple closures for extended sheath openings required to repair cable sheath and damaged fibers	Closure Extension Kit LG-400/500/600	911499-00-00
1x6 Fiber Router Kit with furcation tubes	1x6 Fiber Router	FC000070
Cable Grounding Kit (pack of 5) – Clamp -On Ground Cable Only	CGK-5	FC001091
*Mechanical Splice Kit. Includes 10 pieces of VHB tape. Used in all splice trays. Each piece holds 12 splices.	VHB Tape	FA000089

* See Accessory Specifications. See Splice Tray Specifications.

Qualifications

GOVERNING BODY	STANDARD CODE
Telcordia	GR-771
Rural Utilities Service (RUS)	Listed

Contact AFL for further details.

LightGuard® 600 FTTx Aerial Weathertight Fiber Optic Splice Closure

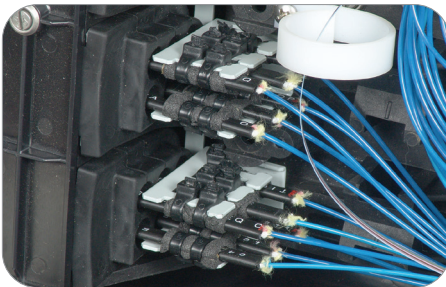
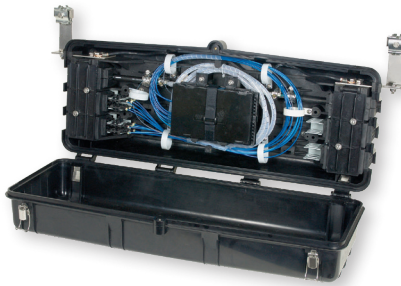
The LightGuard (LG) 600 FTTx Aerial Weathertight Fiber Optic Splice Closure is designed for small count fiber splicing (up to 48 single or 48 mass) in a butt or in-line configuration. Utilized in aerial applications, the LG-600-FTTx is ideal for express slack look fiber access splicing by providing cable entry and connectivity for up to 24 subscriber drops and requires only a common can wrench for installation.

Features

- Six individual, self-sizing grommets cable ports:
 - 2 express ports
 - 4 multi-drop ports
- Up to 12 adapters using the LG-600 expansion kit and SC 6-pack adapter brackets
- Special multi-drop grommets and cable retention
- Integrated aerial splicing work tray
- Patented tongue-in-groove cover seal system
- Installation and re-entry only require a common can wrench
- Integrated grounding clamp through aerial hangers
- Cable retention clamps provide pullout
- UV resistant engineered thermoplastic

Specifications

PARAMETER	VALUE
Splice Capacity (Max.) – Single, Mass, Mechanical	24, 48, 24
Number of Splice Trays (Max.) – Single, Mass, Mechanical*	2, 2, 2
Cable Entrance Configuration	Butt or in-line
Cables	2 to 4 Express with up to 24 Drops
Cable Sizes (Min. O.D. - Max. O.D.) Included Grommets	(6) Cable Ports 2 @ 0.44" - 1.00" (11.2 - 25.4) 4 @ 0.30" - 0.48" (76 - 17.8)
Single in. (mm)	
6-port Multi-Drop Grommet in. (mm)	
Additional Grommets	
Dual Grommet in. (mm)	Sm: 0.40" - 0.70" (10.0 - 17.8) Lg: 0.60" - 0.90" (15.3 - 22.9)
Dimensions – (L x D) in. (mm)	27.00" x 11.25" x 7.50" (690.0 x 286.0 x 190.5)
Weight – lbs. (kg)	18.0 (8.16)



Cable entrance



Grommet bracket

continued
→

LightGuard® 600 FTTx Aerial Weathertight Fiber Optic Splice Closure

Ordering Information

DESCRIPTION	MODEL NO.	AFL NO.
LG-600-FTTx Aerial Weathertight Fiber Optic Splice Closure – Stores 24 single fusion or 48 mass fusion, includes (6) cable kits for sealing/retention and (2) ground terminals with removable bond, (2) splice tray, and hanger brackets. Not included: Cable Grounding Kits	LG600-FTTx	FC000291
LL-2450 Single Splice Tray – Stores (12) single fusion splices. Maximum of (2) trays in the LG-600-FTTx.	LL-2450	91957-00
LL-4850 Mass Splice Tray – Stores (8) mass fusion splices (96F). Maximum of (2) trays in the LG-600-FTTx.	LL-4850	91958-00
LL-1248 Universal Splice Tray – Stores (12) single fusion splices or (8) mass fusion splices (96F), *Mechanical. Maximum of 2 trays in the LG-600FTTx.	LL-1248	911221-00-00
Large Single Grommet Kit with retention hardware (Min 0.44" - Max 1.00")	Large Single Grommet Kit	FC000623
Large Single Grommet Kit (10 pc grommet only) – (Min 0.44" - Max 1.00")	Large Single Grommet Kit (10)	91918-00
Adjustable Aerial Hanger Kit Bracket Kit (included with closure)	Adjustable Hanger LG-400/500/600	911497-00-00
Extended Offset Aerial Hanger Kit – LG-400/500/600	Offset Hanger LG-400/500/600	91990-00
Retention hardware for additional cables or replacement hardware – LG/400/500/600 (no grommets)	Cable Retention Kit LG-400/500/600	FC000356
Closure Extension Kit – Used to join multiple closures for extended sheath openings required to repair cable sheath and damaged fibers	Closure Extension Kit LG-400/500/600	911499-00-00
1x6 Fiber Router Kit with furcation tubes	1x6 Fiber Router	FC000070
Cable Grounding Kit (pack of 5) – Clamp-On Ground Cable Only	CGK-5	FC001091
*Mechanical Splice Kit. Includes 10 pieces of VHB tape. Used in all splice trays. Each piece holds 12 splices.	VHB Tape	FA000089
LG-600 FTTx Expansion Kit – Includes (1) Stacker Module, (1) SC-6-Pack Bracket. Allows use of standard splice trays.	LG-600 FTTx Expansion Kit	FC000620

* See Accessory Specifications. See Splice Tray Specifications.

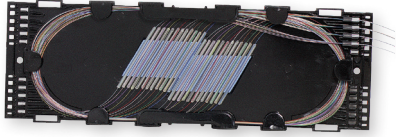
Qualifications

GOVERNING BODY	STANDARD CODE
Telcordia	GR-771
Rural Utilities Service (RUS)	Listed

Contact AFL for further details.

LightLink Fiber Optic Splice Trays

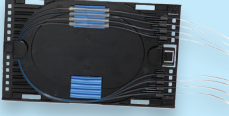
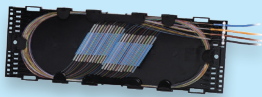
AFL's LightLink series of Fiber Optic Splice Trays offers a variety of unique and flexible splice and storage possibilities. They are available in industry standard configurations (single, mass).



Features

- In-line or butt splice capability (see model descriptions)
- Pre-formed radiuses maintain bend requirements
- Interlocking base and cover provides tray stability without the use of a bolt
- Extended finger guides easily store and route loose fiber or ribbon

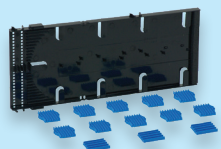
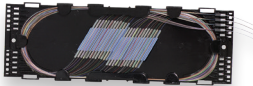


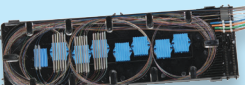
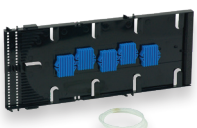
Ordering Information—Splice Trays for Sealed Fiber Optic Splice Closures

DESCRIPTION	MODEL NO.	AFL NO.	LG-55-U	LG-150-U	LG-250-U	LG-350-U	LG-350-20-WTC	LG-350-27-WTC
Single Fuse: 32 Mass Fuse: N/A 6.300" (L) x 2.730" (W) x 0.829" (H) 	LL-2425	FC000053	Max trays: 1 Single: 32 Mass: N/A	N/A	N/A	N/A	N/A	N/A
Single Fuse: 12 Mass Fuse: N/A 7.139" (L) x 4.294" (W) x 0.370" (H) 	LL-2450	91957-00	N/A	Max Trays: 4 Single: 48 Mass: N/A	N/A	N/A	N/A	N/A
Single Fuse: N/A Mass Fuse: 8 (96 fiber) 7.139" (L) x 4.294" (W) x 0.370" (H) 	LL-4850	91958-00	N/A	Max Trays: 4 Single: N/A Mass: 32 (384 fiber)	N/A	N/A	N/A	N/A
Single Fuse: 12 Mass Fuse: 8 (96 fiber) 7.139" (L) x 4.294" (W) x 0.370" (H) 	LL-1248	911221-00-00	N/A	Max Trays: 4 Single: 48 Mass: 48 (384 fiber)	N/A	N/A	N/A	N/A
Single Fuse: 24 Mass Fuse: N/A 12.542" (L) x 4.042" (W) x 0.390" (H) 	LL-2400	91710-06	N/A	N/A	Max Trays: 5 Single: 120 Mass: N/A	Max Trays: 13 Single: 312 Mass: N/A	N/A	N/A

continued
→

LightLink Fiber Optic Splice Trays (cont.)

Ordering Information—Splice Trays for Sealed Fiber Optic Splice Closures

DESCRIPTION	MODEL NO.	AFL NO.	LG-250-U	LG-350-U	LG-350-AC	LG-350XL-U	LG-350-20-WTC	LG-350-27-WTC
Single Fuse: 60 Mass Fuse: 12 (144 fiber) 12.000" (L) x 5.125" (W) x 0.485" (H)  *Note: Contains enough splice holders for 24 mass splices (288 fibers) when using AFL Wrapping Tube Cable.	LL-7644	FA000044	N/A	Max Trays: 6 Single: 360 Mass: 72 (864 fiber)	N/A	N/A	N/A	Max Trays: 3 Single: 180 Mass: 72 (864 fiber)
Single Fuse: 24 Mass Fuse: 4 (48 fiber) 12.542" (L) x 4.270" (W) x 0.531" (H) 	LL-2448	911289-00-02	Max Trays: 3 Single: 72 Mass: 12 (144 fiber) Mechanical: 36	Max Trays: 8 Single: 192 Mass: 32 (384 fiber) Mechanical: 96	N/A	N/A	N/A	N/A
Single Fuse: 48 Mass Fuse: N/A 12.542" (L) x 4.270" (W) x 0.531" (H) 	LL-2448-48S	FA000045	Max Trays: 3 Single: 144 Mass: N/A	Max Trays: 8 Single: 384 Mass: N/A	N/A	N/A	N/A	N/A
Single Fuse: N/A Mass Fuse: 12 (144 fiber) 12.542" (L) x 4.270" (W) x 0.531" (H) 	LL-4848	911437-00-02	Max Trays: 3 Single: N/A Mass: 36 (432 fiber)	Max Trays: 8 Single: N/A Mass: 96 (1152 fiber)	N/A	N/A	N/A	N/A
Single Fuse: 96 Mass Fuse: 24 (288 fiber) 15.950" (L) x 4.875" (W) x 0.485" (H) 	LL-4896	911676-00-02	N/A	Max Trays: 5 Single: 480 Mass: 120 (1440 fiber)	N/A	Max Trays: 9 Single: 864 Mass: 216 (2592 fiber)	N/A	N/A
Single Fuse: 60 Mass Fuse: N/A 12.000" (L) x 5.125" (W) x 0.485" (H) 	LL-7060	FA000042	N/A	Max Trays: 6 Single: 360 Mass: N/A	N/A	N/A	N/A	Max Trays: 3 Single: 180 Mass: N/A

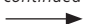
continued
→

LightLink Fiber Optic Splice Trays (cont.)

Ordering Information – Splice Trays for LG-350 and LG-350XL-U Sealed Fiber Optic Splice Closures

DESCRIPTION	MODEL NO.	AFL NO.	LG-350-U	LG-350-AC	LG-350XL-U	LG-350-20-WTC	LG-350-27-WTC
Single Fuse: N/A Mass Fuse: 12 (144 fiber) 12.000" (L) x 5.125" (W) x 0.485" (H) 	LL-7144	FA000043	Max Trays: 6 Single: 360 Mass: 72 (864 fiber)	N/A	N/A	N/A	Max Trays: 3 Single: 180 Mass: 72 (864 fiber)
Single Fuse: 36 Mass Fuse: 12 (144 fiber) 8.125" (L) x 4.875" (W) x 0.485" (H) 	LL-4808L-R	FA000037	N/A	Max Trays: 4 Single: 144 Mass: 48 (576 fiber)	N/A	Max Trays: 4 Single: 144 Mass: 48 (576 fiber)	N/A
Single Fuse: N/A Mass Fuse: 12 (144 fiber) 8.125" (L) x 4.875" (W) x 0.485" (H) 	LL-4808 R	FA000020	N/A	Max Trays: 4 Single: N/A Mass: 48 (576 fiber)	N/A	Max Trays: 4 Single: N/A Mass: 48 (576 fiber)	N/A
Single Fuse: 36 Mass Fuse: N/A 8.125" (L) x 4.875" (W) x 0.485" (H) 	LL-4808 L	FA000021	N/A	Max Trays: 4 Single: 144 Mass: N/A	N/A	Max Trays: 4 Single: 144 Mass: N/A	N/A
Single Fuse: N/A Mass Fuse: 24 (288 fiber) 15.950" (L) x 4.875" (W) x 0.485" (H) 	LL-4896 R	FA000022	Max Trays: 5 Single: N/A Mass: 120 (1440 fiber)	N/A	Max Trays: 9 Single: N/A Mass: 216 (2592 fiber)	N/A	N/A
Single Fuse: 96 Mass Fuse: N/A 15.950" (L) x 4.875" (W) x 0.485" (H) 	LL-4896 L	FA000023	Max Trays: 5 Single: 480 Mass: N/A	N/A	Max Trays: 9 Single: 864 Mass: N/A	N/A	Max Trays: 3 Single: 180 Mass: N/A

continued



LightLink Fiber Optic Splice Trays (cont.)

Ordering Information – Splice Trays for Aerial Weathertight Fiber Optic Splice Closures

DESCRIPTION	MODEL NO.	AFL NO.	LG-410-U	LG-420-U FTTx	LG-500-U	LG-500-U FTTx
Single Fuse: 24 Mass Fuse: N/A 12.542" (L) x 4.042" (W) x 0.390" (H) 	LL-2400	91710-06	Max Trays: 4 Single: 96 Mass: N/A	N/A	Max Trays: 4 Single: 96 Mass: N/A	N/A
Single Fuse: 32 Mass Fuse: N/A 6.300" (L) x 2.730" (W) x 0.829" (H) 	LL-2425	FC000053	N/A	Max Trays: 1 Single: 32 Mass: N/A	N/A	Max Trays: 1 Single: 32 Mass: N/A
Single Fuse: 24 Mass Fuse: 4 (48 fiber) 12.542" (L) x 4.270" (W) x 0.531" (H) 	LL-2448	911289-00-02	Max Trays: 3 Single: 72 Mass: 12 (144 fiber) Mechanical: 36	N/A	Max Trays: 3 Single: 72 Mass: 12 (144 fiber) Mechanical: 36	N/A
Single Fuse: 12 Mass Fuse: N/A 7.139" (L) x 4.294" (W) x 0.370" (H) 	LL-2450	91957-00	N/A	N/A	N/A	N/A
Single Fuse: N/A Mass Fuse: 12 (144 fiber) 12.542" (L) x 4.270" (W) x 0.531" (H) 	LL-4848	911437-00-02	Max Trays: 3 Single: N/A Mass: 36 (432 fiber)	N/A	Max Trays: 3 Single: N/A Mass: 36 (432 fiber)	N/A
Single Fuse: N/A Mass Fuse: 8 (96 fiber) 7.139" (L) x 4.294" (W) x 0.370" (H) 	LL-4850	91958-00	N/A	N/A	N/A	N/A
Single Fuse: 12 Mass Fuse: 8 (96 fiber) 7.139" (L) x 4.294" (W) x 0.370" (H) 	LL-1248	911221-00-00	N/A	N/A	N/A	N/A

continued
→

LightLink Fiber Optic Splice Trays (cont.)

Ordering Information – Splice Trays for Aerial Weathertight Fiber Optic Splice Closures


DESCRIPTION	MODEL NO.	AFL NO.	LG-500-U-FTTx-ISO	LG-600-U	LG-600-FTTx	LG-600-U-FTTx-ISO
Single Fuse: 24 Mass Fuse: N/A 12.542" (L) x 4.042" (W) x 0.390" (H) 	LL-2400	91710-06	N/A	Max Trays: 12 Single: 288 Mass: N/A	Max Trays: 2 Single: 48 Mass: N/A	N/A
Single Fuse: 32 Mass Fuse: N/A 6.300" (L) x 2.730" (W) x 0.829" (H) 	LL-2425	FC000053	N/A	N/A	N/A	N/A
Single Fuse: 24 Mass Fuse: 4 (48 fiber) 12.542" (L) x 4.270" (W) x 0.531" (H) 	LL-2448	911289-00-02	N/A	Max Trays: 8 Single: 192 Mass: 32 (384 fiber) Mechanical: 12	N/A	N/A
Single Fuse: 12 Mass Fuse: N/A 7.139" (L) x 4.294" (W) x 0.370" (H) 	LL-2450	91957-00	Max Trays: 1 Single: 12 Mass: N/A	N/A	N/A	Max Trays: 2 Single: 24 Mass: N/A
Single Fuse: N/A Mass Fuse: 12 (144 fiber) 12.542" (L) x 4.270" (W) x 0.531" (H) 	LL-4848	911437-00-02	N/A	Max Trays: 8 Single: N/A Mass: 96 (1152 fiber)	N/A	N/A
Single Fuse: N/A Mass Fuse: 8 (96 fiber) 7.139" (L) x 4.294" (W) x 0.370" (H) 	LL-4850	91958-00	Max Trays: 1 Single: N/A Mass: 8 (96 fiber)	N/A	N/A	Max Trays: 2 Single: N/A Mass: 16 (192 fiber)
Single Fuse: 12 Mass Fuse: 8 (96) 7.139" (L) x 4.294" (W) x 0.370" (H) 	LL-1248	911221-00-00	Max Trays: 1 Single: 12 Mass: 8 (96 fiber)	N/A	N/A	Max Trays: 2 Single: 24 Mass: 16 (192 fiber)

continued

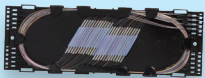





LightLink Fiber Optic Splice Trays (cont.)

Ordering information – Splice Trays for Aerial Weathertight Fiber Optic Splice Closures

DESCRIPTION	MODEL NO.	AFL NO.	LG-410-U	LG-500-U	LG-600-U
Single Fuse: N/A Mass Fuse: 4 (48 fiber) 12.542" (L) x 4.270" (W) x 0.531" (H) 	LL-4800	91711-07	Max Trays: 3 Single: N/A Mass: 12 (144 fiber)	Max Trays: 3 Single: N/A Mass: 12 (144 fiber)	Max Trays: 8 Single: N/A Mass: 32 (384 fiber)

Ordering Information—Splice Trays for Fiber Optic Enclosures

DESCRIPTION	MODEL NO.	AFL NO.	LL-400B WITH INTERCONNECT	LL-400B WITHOUT INTERCONNECT	LL-400SX WITH 2 LGX® PLATES	LL-400SX WITHOUT LGX PLATES
Single Fuse: 24 Mass Fuse: 4 (48 fiber) Mechanical : 12 12.542" (L) x 4.270" (W) x 0.531" (H) 	LL-2448	911289-00-02	Max Trays: 4 Single: 96 Mass: 16 (192 fiber) Mechanical: 48	Max Trays: 6 Single: 144 Mass: 24 (288 fiber) Mechanical: 72	Max Trays: 3 Single: 72 Mass: 12 (144 fiber) Mechanical: 36	Max Trays: 9 Single: 216 Mass: 36 (432 fiber) Mechanical: 108
Single Fuse: 48 Mass Fuse: N/A 12.542" (L) x 4.270" (W) x 0.531" (H) 	LL-2448-48S	FA000045	Max Trays: 4 Single: 192 Mass: N/A	Max Trays: 6 Single: 288 Mass: N/A	Max Trays: 3 Single: 144 Mass: N/A	Max Trays: 9 Single: 432 Mass: N/A
Single Fuse: N/A Mass Fuse: 12 (144 fiber) 12.542" (L) x 4.270" (W) x 0.531" (H) 	LL-4848	911437-00-02	Max Trays: 4 Single: N/A Mass: 48 (576 fiber)	Max Trays: 6 Single: N/A Mass: 72 (864 fiber)	Max Trays: 3 Single: N/A Mass: 36 (432 fiber)	Max Trays: 9 Single: N/A Mass: 108 (1296 fiber)
Single Fuse: N/A Mass Fuse: 4 (48 fiber) 12.542" (L) x 4.270" (W) x 0.531" (H) 	LL-4800	91711-07	Max Trays: 4 Single: N/A Mass: 16 (192 fiber)	Max Trays: 6 Single: N/A Mass: 24 (288 fiber)	Max Trays: 3 Single: N/A Mass: 12 (144 fiber)	Max Trays: 9 Single: N/A Mass: 108 (1296 fiber)

continued
→

LightLink Fiber Optic Splice Trays (cont.)

Ordering Information—Splice Trays for Fiber Optic Enclosures

DESCRIPTION	MODEL NO.	AFL NO.	LL-500	LL-580
Single Fuse: N/A Mass Fuse: 12 (144 fiber) 12.000" (L) x 5.125" (W) 0.485" (H) 	LL-7144	FA000043	N/A	Max Trays: 2 Single: N/A Mass: 24 (288 fiber)
Single Fuse: 60 Mass Fuse: 12 (144) 12.000" (L) x 5.125" (W) 0.485" (H) 	LL-7644	FA000044	N/A	Max Trays: 2 Single: 120 Mass: 24 (288 fiber)
Single Fuse: 12 Mass Fuse: N/A 7.139" (L) x 4.294" (W) x 0.370" (H) 	LL-2450	91957-00	Max Trays: 5 Single: 60 Mass: N/A	N/A
Single Fuse: N/A Mass Fuse: 8 (96 fiber) 7.139" (L) x 4.294" (W) x 0.370" (H) 	LL-4850	91958-00	Max Trays: 3 Single: N/A Mass: 24 (288 fiber)	N/A
Single Fuse: 36 Mass Fuse: 12 (144 fiber) 8.125" (L) x 4.875" (W) x 0.485" (H) 	LL-4808L-R	FA000037	N/A	Max Trays: 2 Single: 72 Mass: 24 (288 fiber)

continued
→

LightLink Fiber Optic Splice Trays (cont.)

Ordering Information – Splice Tray for Splicing Cabinets and Shelves

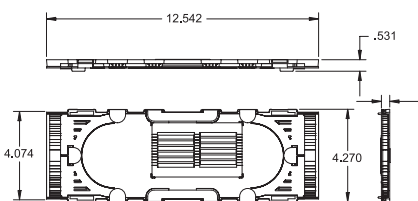
DESCRIPTION	MODEL NO.	AFL NO.
Telescoping Splice Tray - Stores up to 48 single fusion sleeves or 12 mass fusion sleeves (144 fibers). For use in the following products: LL-300, LL-288/576, LL-720/1440, OTSS-SYS1, OSS-SYS2 and OSS-SYS1	STF-48	911442-00-00
FTTx Splice Tray - Stores up to 2 single fusion sleeves. For use in the following products: ONT-760XL, ONT-3000 and CG-1500	—	DM000445
Bare Fiber Splice Tray - Stores up to 24 single fusion fibers without sleeves. For use in the following products: Any product that accepts the LL-2400 splice tray	—	C184190

Ordering Information—Splice Tray Accessories

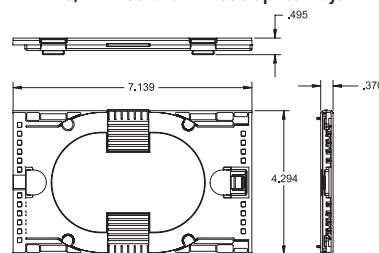
DESCRIPTION	AFL NO.
FP-40 Splice Protection Sleeves, 40 mm length (1000 box/100 pack)	S015916
FP-60 Splice Protection Sleeves, 60 mm length (1000 box/100 pack)	S015915
Single Fusion Splice Chip - 6 splices per chip. (10 pcs. per kit)	FA000034
Single Fusion Splice Chip - 12 splices per chip. (10 pcs. per kit)	FC000657
Single Fusion Splice Chip - 24 splices per chip. (10 pcs. per kit)	91745-02
Mass Fusion Splice Chip - 4 splices per chip. (10 pcs. per kit)	FA000088
Mechanical Fusion Splice Tape (10 pcs. per kit)	FA000089
Core Tube Cable Fiber Router for routing fiber up to 8 directions. For all central core tube sizes.	FC000008
Loose Tube or Ribbon Router for routing fiber up to 6 directions. For all Loose Tube and up to 12 fiber Ribbon.	FC000070

Dimensions

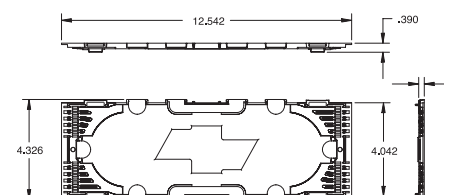
LL-2448 and LL-4848 Splice Trays



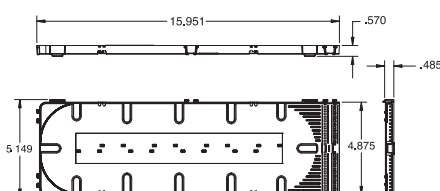
LL-1248, LL-2450 and LL-4850 Splice Trays



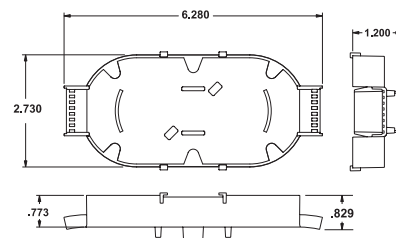
LL-2400 Splice Tray



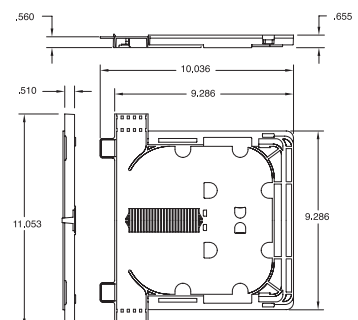
LL-4896 Splice Tray



LL-2425 Splice Tray



OEE Splice Tray





Fiber Storage Units

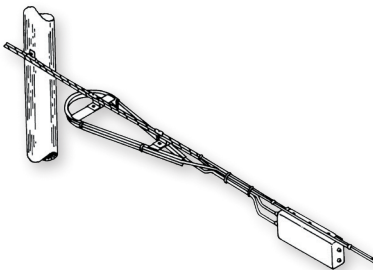
AFL Fiber Storage Units (FSU) are used to conveniently and safely store an extra length of cable along the support strand for later use. Furnished as pairs (kit contains two Fiber Storage Units and two sets of hanger brackets), these FSU's are constructed from either aluminum with a baked acrylic enamel finish or dielectric polypropylene with a UV inhibitor. All basic hardware for attachment to the support strand is provided. Strand mount support brackets meet Telcordia® specifications. Galvanized strand clamping devices accommodate 1/4" to 7/16" strand and meet ASTM specifications A153 and B695.

Features

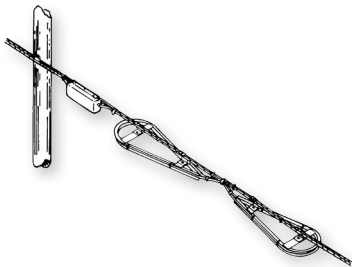
- Small profile and side facing channel minimizes ice and leaf loading
- Metal versions feature an all aluminum construction with welded cross members and baked acrylic enamel paint finish with chromate pre-finish per MIL-6-5541-B
- Plastic versions feature thermoplastic polypropylene resin with carbon black UV inhibitor
- Basic hanging hardware (bolts, nuts, washers) and strand clamps all included
- Tie-wrap slots for securing cable from sliding
- Galvanized strand clamps accommodate 1/4" to 7/16" strand



Reserve Cable Storage



Butt Splice



In-Line Splice

Specifications

PARAMETER	FSU-10	FSU-12	FSU-16	FSU-18	FSU-20	FSU-24
Nom. Channel Width in. (cm)	0.63 (1.60)	0.92 (2.34)	1.12 (2.84)	1.75 (4.45)	1.75 (4.45)	1.745 (4.5)
Min. Bend Diameter in. (cm)	10 (25.4)	12 (30.48)	16 (40.64)	18 (45.72)	20 (50.80)	24.125 (61.3)

PARAMETER	FOSP-12-TMK	FOSP-17-TMK
Nom. Channel Width in. (cm)	0.63 (1.59)	0.95 (2.41)
Min. Bend Diameter in. (cm)	12.13 (30.80)	17.5 (44.45)

Ordering Information

DESCRIPTION	FSU-10	FSU-12	FSU-16	FSU-18	FSU-20	FSU-24
FSU Kit	911107-00	911108-00	911109-00	911110-00	911944-00-00	FA000095

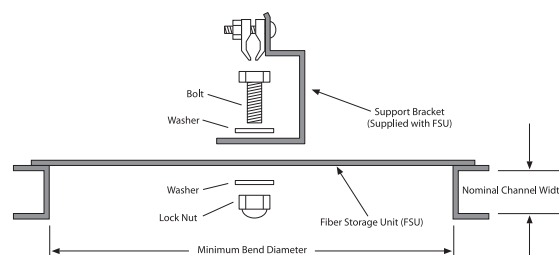
DESCRIPTION	FOSP-12-TMK	FOSP-17-TMK
FOSP Kit (Dielectric)	FA000004	FA000002

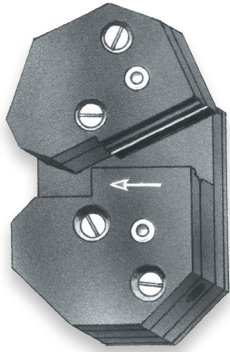
Kits contain one pair of either FSU or FOSP and four mount brackets.

Qualifications

GOVERNING BODY	STANDARD CODE
ASTM	ASTM A153, ASTM B695
Telcordia	MIL-6-5541-B

Hardware Diagram





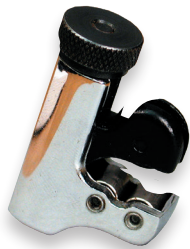
Sheath Stripper

The Fiber Optic Sheath Stripper is designed to longitudinally score the tight structure fiber units within certain AFL OPGW designs. A simple pull of the Sheath Stripper along the fiber unit ensures correct score depth allowing for easy removal of the overall unit sheath and access to the enclosed fibers. The reusable unit is easy to maintain and adjust. The kit includes the sheath stripper, replacement blades, adjustment tool, instructions and fiber unit samples for practice and blade adjustments.

Ordering Information

SHEATH SIZE (mm)	UNIT FIBER COUNT	AFL NO.
2.0	6 - 8	SSA2.0
2.5	10 - 12	SSA2.5

Note: For AlumaCore OPGW with a 12 fiber optical unit, order AFL number SSA2.5.



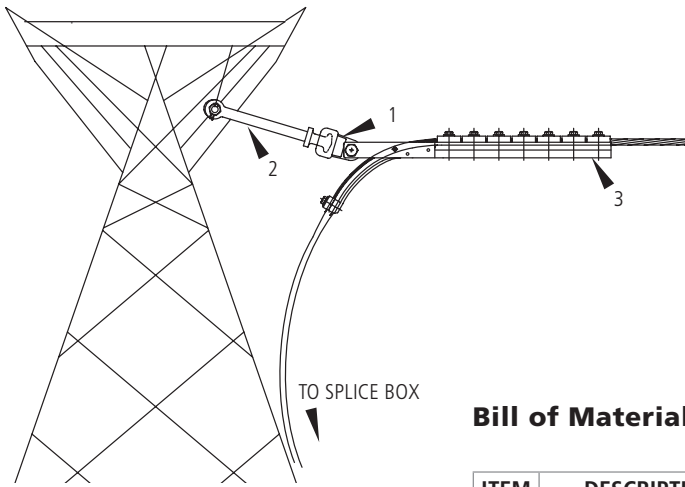
Stainless Steel Tube Cutter

AFL offers a Stainless Steel Tube cutter that is used to access the fiber in our stainless steel tubes. The compact design and hardened steel blades make this a durable, easy to use tool. The tool cuts 1/8" through 5/8" O.D. stainless steel tubes.

Ordering Information

DESCRIPTION	AFL NO.
Stainless Steel Tube Cutter	SSCUTTER

OPGW Single Dead End Lattice Tower Configuration Assemblies



AFL NO.

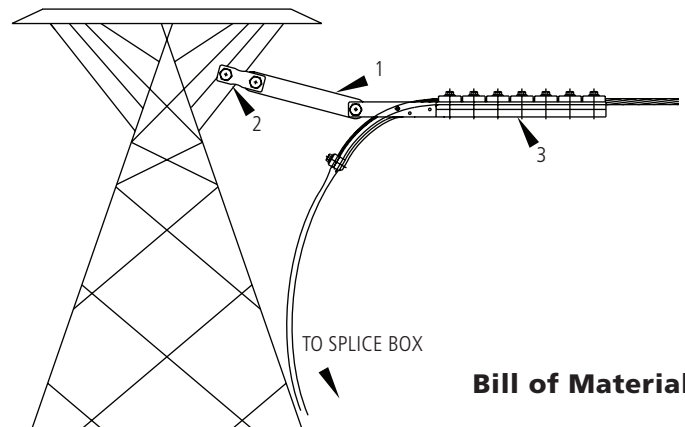
OLTDE1 — **DNOXXXX**

Assembly Code

Cable Spec. Number

Bill of Material

ITEM	DESCRIPTION	MATERIAL	AFL OR DWG. NO.	REQ'D	REMARKS
1	Socket Eye	Galvanized Steel	SE-BDE	1	
2	Y-Clevis Ball Hot Link	Galvanized Steel	YCBHL	1	Pin Dia. = 0.75" (19 mm)
3	Bolted Dead End (Included)	Aluminum	Determined by AFL	1	



AFL NO.

OLTDE2 — **DNOXXXX**

Assembly Code

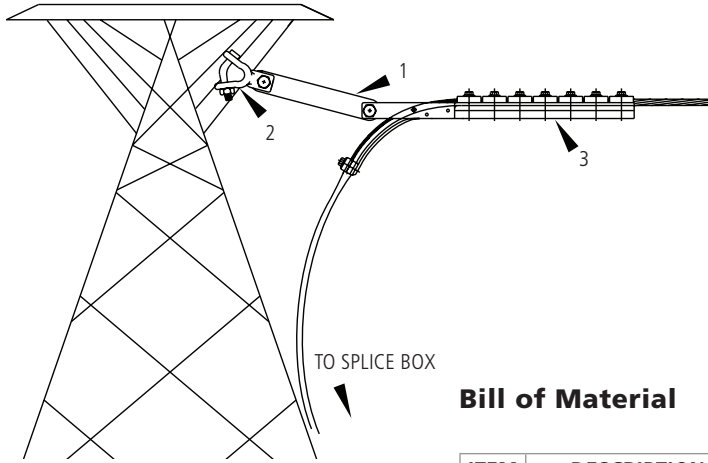
Cable Spec. Number

Bill of Material

ITEM	DESCRIPTION	MATERIAL	AFL OR DWG. NO.	REQ'D	REMARKS
1	Link Plate	Aluminum	ODEL P10	1	
2	Y-Clevis Clevis	Galvanized Steel	YCC	1	Pin Dia. = 0.75" (19 mm)
3	Bolted Dead End (Included)	Aluminum	Determined by AFL	1	

continued
➔

OPGW Single Dead End Lattice Tower Configuration Assemblies (cont.)



AFL NO.

OLTDE3 — **DNOXXXX**

Assembly Code

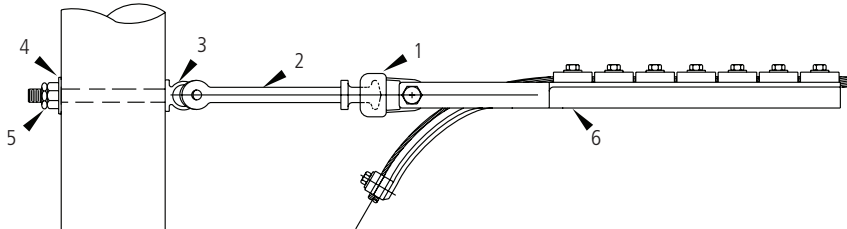
Cable Spec. Number

Bill of Material

ITEM	DESCRIPTION	MATERIAL	AFL OR DWG. NO.	REQ'D	REMARKS
1	Link Plate	Aluminum	ODELP10	1	
2	Y-Clevis Clevis 90	Galvanized Steel	YCC-90	1	Pin Dia. = 0.75" (19 mm)
3	Bolted Dead End (Included)	Aluminum	Determined by AFL	1	

OPGW Single Dead End Wood Pole/H-Frame Configuration Assemblies

Fiber Optic Cable Hardware

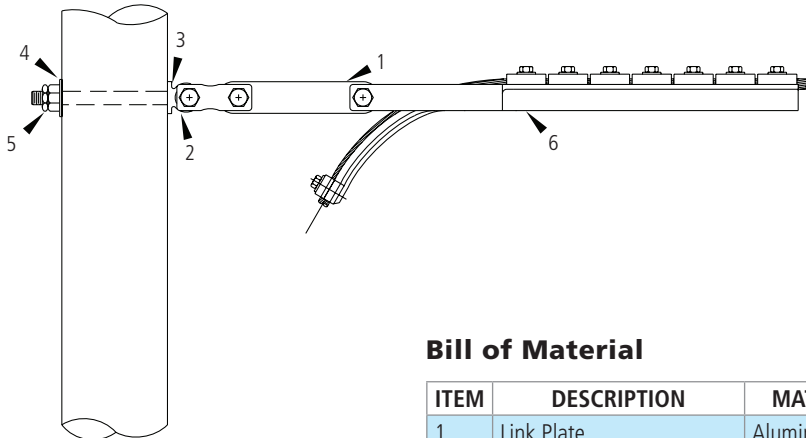


AFL NO.

OWPDE1 - **DNOXXXX**
 Assembly Code Cable Spec. Number

Bill of Material

ITEM	DESCRIPTION	MATERIAL	AFL OR DWG. NO.	REQ'D	REMARKS
1	Socket Eye	Galvanized Steel	SE-BDE	1	
2	Y-Clevis Ball Hot Link	Galvanized Steel	YCBHL	1	Pin Dia. = 0.75" (19 mm)
3	3/4" Shoulder Eye Bolt	Galvanized Steel	SEB-3/4-14	1	Length = 14"
4	3/4" Washer Nut	Galvanized Steel	WN-3/4	1	
5	3/4" MF Lock Nut	Galvanized Steel	LN-3/4	1	
6	Bolted Deadend (Included)	Aluminum	Determined by AFL	1	



AFL NO.

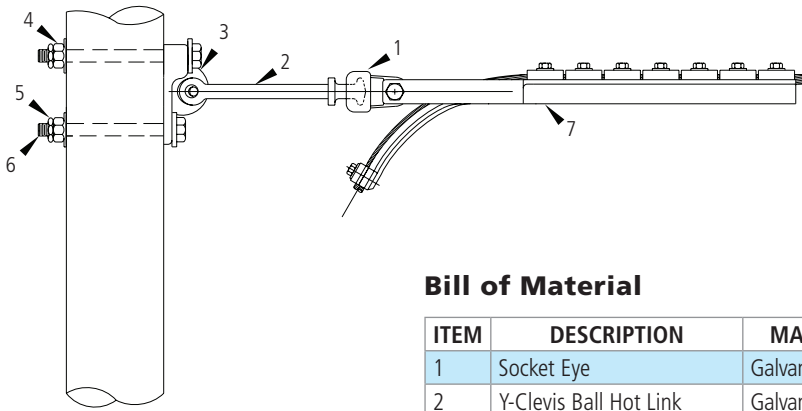
OWPDE2 - **DNOXXXX**
 Assembly Code Cable Spec. Number

Bill of Material

ITEM	DESCRIPTION	MATERIAL	AFL OR DWG. NO.	REQ'D	REMARKS
1	Link Plate	Aluminum	ODELP10	1	
2	Y-Clevis Clevis	Galvanized Steel	YCC	1	Pin Dia. = 0.75" (19 mm)
3	3/4" Shoulder Eye Bolt	Galvanized Steel	SEB-3/4-14	1	Length = 14"
4	3/4" Washer Nut	Galvanized Steel	WN-3/4	1	
5	3/4" MF Lock Nut	Galvanized Steel	LN-3/4	1	
6	Bolted Deadend (Included)	Aluminum	Determined by AFL	1	

continued

OPGW Single Dead End Wood Pole/H-Frame Configuration Assemblies (cont.)

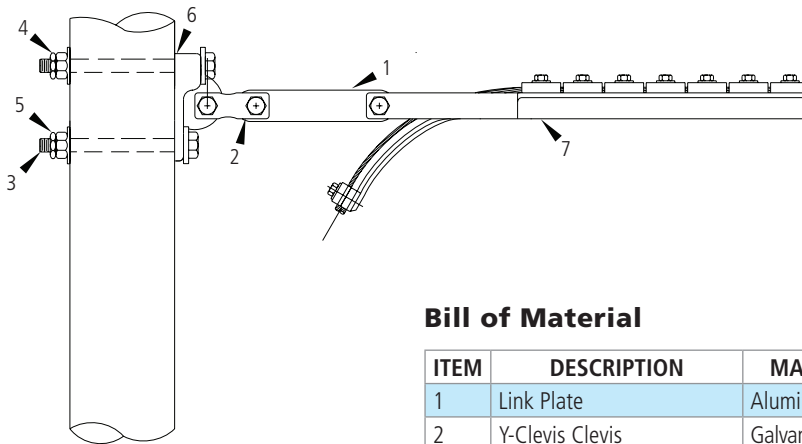


AFL NO.

OWPDE3 - **DNOXXXX**
 Assembly Code Cable Spec. Number

Bill of Material

ITEM	DESCRIPTION	MATERIAL	AFL OR DWG. NO.	REQ'D	REMARKS
1	Socket Eye	Galvanized Steel	SE-BDE	1	
2	Y-Clevis Ball Hot Link	Galvanized Steel	YCBHL	1	Pin Dia. = 0.75" (19 mm)
3	Eye Plate	Galvanized Steel	EP1	1	
4	3/4" Washer Nut	Galvanized Steel	WN-3/4	2	
5	3/4" MF Lock Nut	Galvanized Steel	LN-3/4	2	
6	3/4" MF Through Bolt	Galvanized Steel	TB-3/4-14	2	Length = 14"
7	Bolted Deadend (Included)	Aluminum	Determined by AFL	1	



AFL NO.

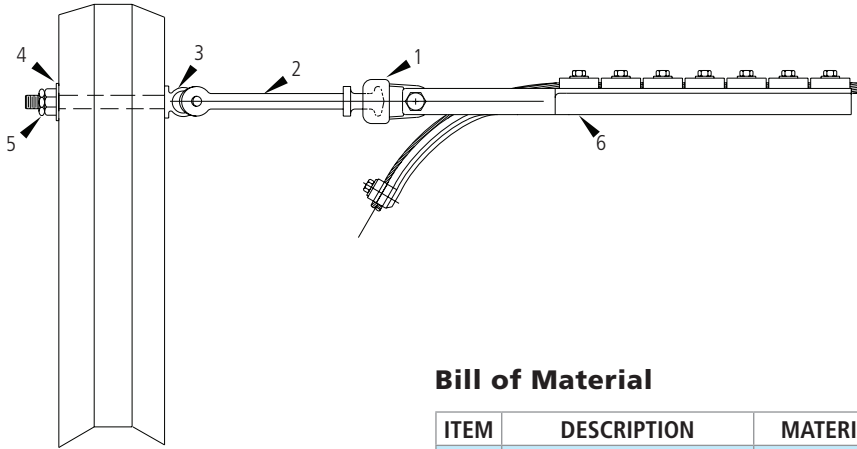
OWPDE4 - **DNOXXXX**
 Assembly Code Cable Spec. Number

Bill of Material

ITEM	DESCRIPTION	MATERIAL	AFL OR DWG. NO.	REQ'D	REMARKS
1	Link Plate	Aluminum	ODELP10	1	
2	Y-Clevis Clevis	Galvanized Steel	YCC	1	Pin Dia. = 0.75" (19 mm)
3	3/4" MF Through Bolt	Galvanized Steel	TB-3/4-14	2	Length = 14"
4	3/4" Washer Nut	Galvanized Steel	WN-3/4	2	
5	3/4" MF Lock Nut	Galvanized Steel	LN-3/4	2	
6	Eye Plate	Galvanized Steel	EP1	1	
7	Bolted Deadend (Included)	Aluminum	Determined by AFL	1	

OPGW Single Dead End Steel Pole/Drilled Configuration Assemblies

Fiber Optic Cable Hardware

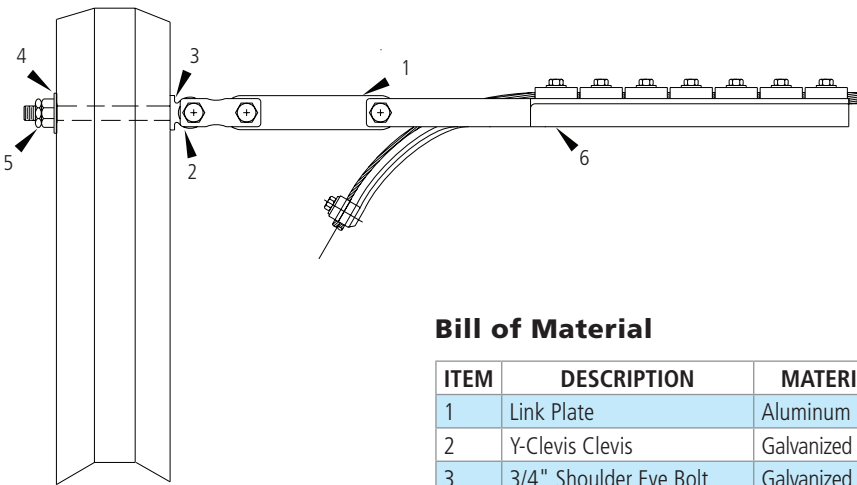


AFL NO.

OSPDE1 - **DNOXXXX**
 Assembly Code Cable Spec. Number

Bill of Material

ITEM	DESCRIPTION	MATERIAL	AFL OR DWG. NO.	REQ'D	REMARKS
1	Socket Eye	Galvanized Steel	SE-BDE	1	
2	Y-Clevis Ball Hot Link	Galvanized Steel	YCBHL	1	Pin Dia. = 0.75" (19 mm)
3	3/4" Shoulder Eye Bolt	Galvanized Steel	SEB-3/4-14	1	Length = 14"
4	3/4" Washer Nut	Galvanized Steel	WN-3/4	1	
5	3/4" MF Lock Nut	Galvanized Steel	LN-3/4	1	
6	Bolted Deadend (Included)	Aluminum	Determined by AFL	1	



AFL NO.

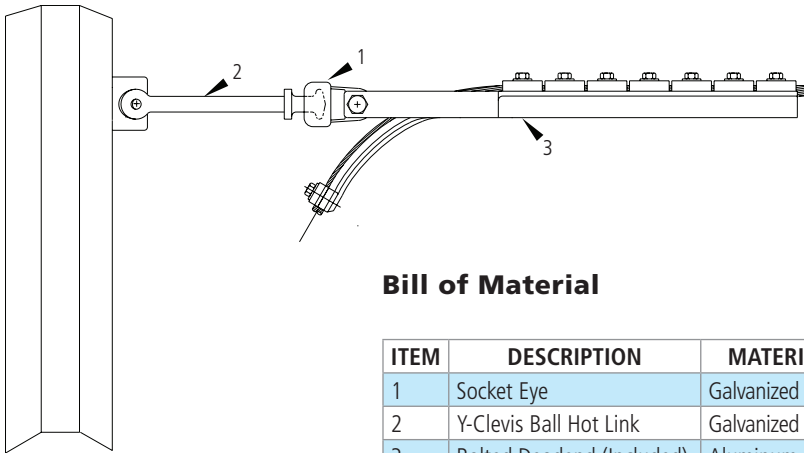
OSPDE2 - **DNOXXXX**
 Assembly Code Cable Spec. Number

Bill of Material

ITEM	DESCRIPTION	MATERIAL	AFL OR DWG. NO.	REQ'D	REMARKS
1	Link Plate	Aluminum	ODELP10	1	
2	Y-Clevis Clevis	Galvanized Steel	YCC	1	Pin Dia. = 0.75" (19 mm)
3	3/4" Shoulder Eye Bolt	Galvanized Steel	SEB-3/4-14	1	Length = 14"
4	3/4" Washer Nut	Galvanized Steel	WN-3/4	1	
5	3/4" MF Lock Nut	Galvanized Steel	LN-3/4	1	
6	Bolted Deadend (Included)	Aluminum	Determined by AFL	1	

continued


OPGW Single Dead End Steel Pole/Vang Configuration Assemblies

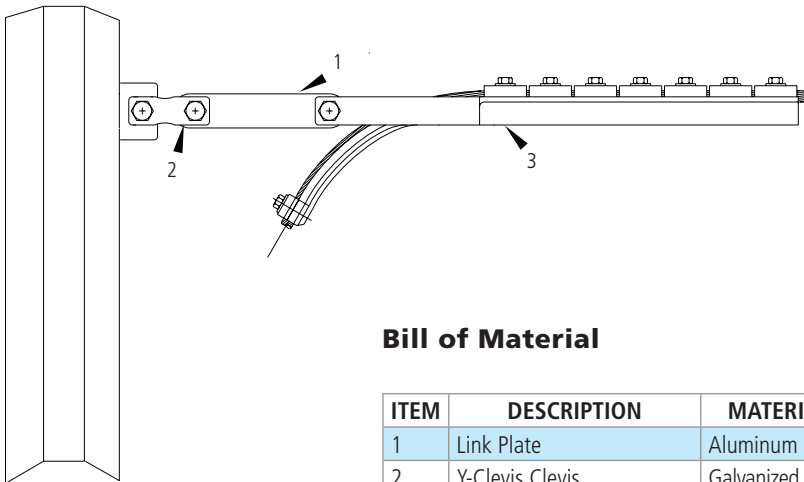


AFL NO.

OSPDE3 - **DNOXXXX**
 Assembly Code Cable Spec. Number

Bill of Material

ITEM	DESCRIPTION	MATERIAL	AFL OR DWG. NO.	REQ'D	REMARKS
1	Socket Eye	Galvanized Steel	SE-BDE	1	
2	Y-Clevis Ball Hot Link	Galvanized Steel	YCBHL	1	Pin Dia. = 0.75" (19 mm)
3	Bolted Deadend (Included)	Aluminum	Determined by AFL	1	



AFL NO.

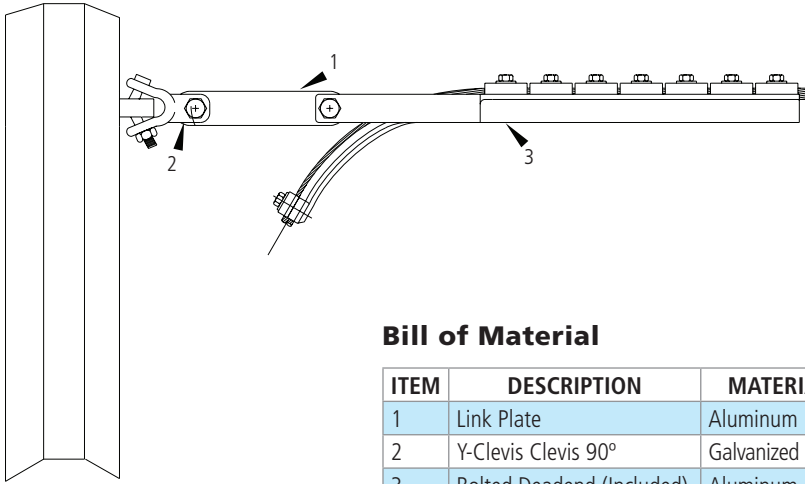
OSPDE4 - **DNOXXXX**
 Assembly Code Cable Spec. Number

Bill of Material

ITEM	DESCRIPTION	MATERIAL	AFL OR DWG. NO.	REQ'D	REMARKS
1	Link Plate	Aluminum	ODELP10	1	
2	Y-Clevis Clevis	Galvanized Steel	YCC	1	Pin Dia. = 0.75" (19 mm)
3	Bolted Deadend (Included)	Aluminum	Determined by AFL	1	

continued

OPGW Single Dead End Steel Pole/Vang Configuration Assemblies (cont.)



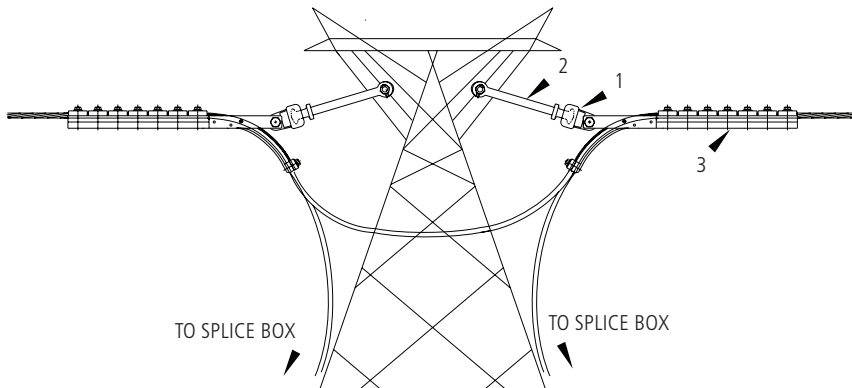
AFL NO.

OSPDES - **DNOXXXX**
 Assembly Code Cable Spec. Number

Bill of Material

ITEM	DESCRIPTION	MATERIAL	AFL OR DWG. NO.	REQ'D	REMARKS
1	Link Plate	Aluminum	ODEL10	1	
2	Y-Clevis Clevis 90°	Galvanized Steel	YCC-90	1	Pin Dia. = 0.75" (19 mm)
3	Bolted Deadend (Included)	Aluminum	Determined by AFL	1	

OPGW Double Dead End Lattice Tower Configuration Assemblies



AFL NO.

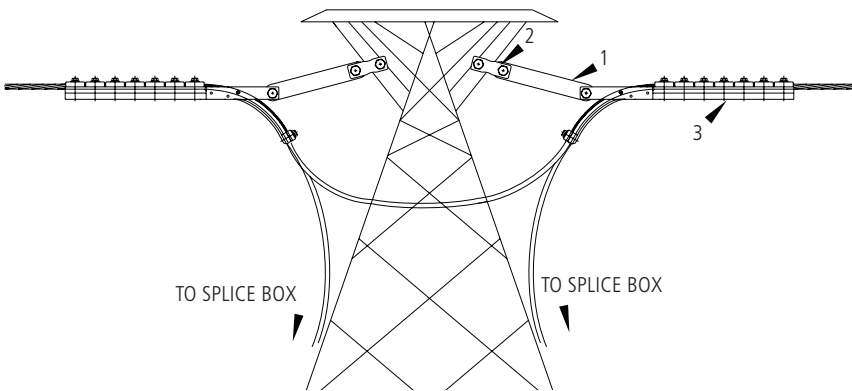
OLTDD1 — **DNOXXXX**

Assembly Code

Cable Spec. Number

Bill of Material

ITEM	DESCRIPTION	MATERIAL	AFL OR DWG. NO.	REQ'D	REMARKS
1	Socket Eye	Galvanized Steel	SE-BDE	2	
2	Y-Clevis Ball Hot Link	Galvanized Steel	YCBHL	2	Pin Dia. = 0.75" (19 mm)
3	Bolted Dead End (Included)	Aluminum	Determined by AFL	2	



AFL NO.

OLTDD2 — **DNOXXXX**

Assembly Code

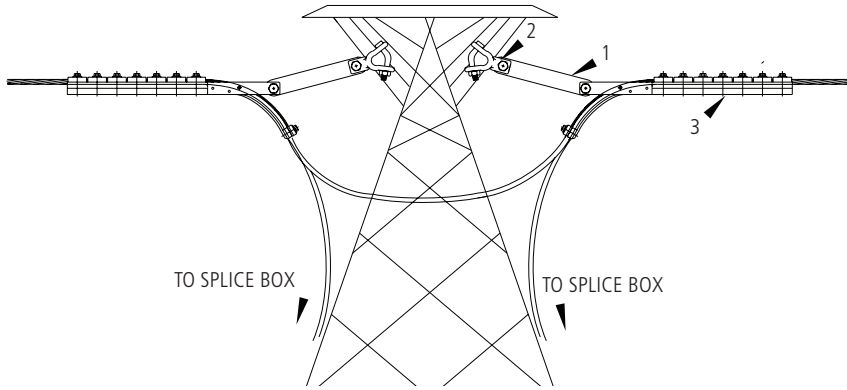
Cable Spec. Number

Bill of Material

ITEM	DESCRIPTION	MATERIAL	AFL OR DWG. NO.	REQ'D	REMARKS
1	Link Plate	Aluminum	ODELP10	2	
2	Y-Clevis Clevis	Galvanized Steel	YCC	2	Pin Dia. = 0.75" (19 mm)
3	Bolted Dead End (Included)	Aluminum	Determined by AFL	2	

continued
→

OPGW Double Dead End Lattice Tower Configuration Assemblies (cont.)



AFL NO.

OLTDD3

Assembly Code

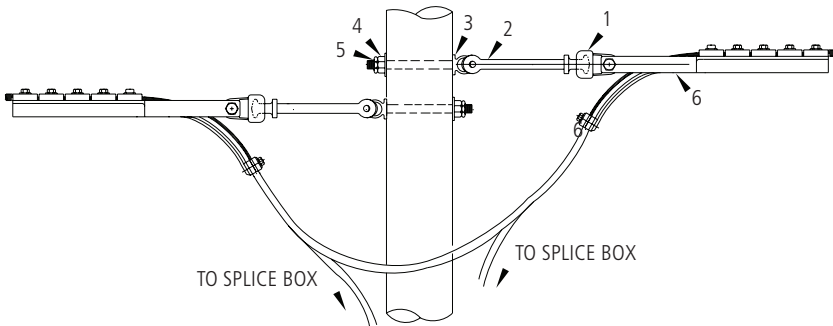
DNOXXXX

Cable Spec. Number

Bill of Material

ITEM	DESCRIPTION	MATERIAL	AFL OR DWG. NO.	REQ'D	REMARKS
1	Link Plate	Aluminum	ODEL10	2	
2	Y-Clevis Clevis 90	Galvanized Steel	YCC-90	2	Pin Dia. = 0.75" (19 mm)
3	Bolted Dead End (Included)	Aluminum	Determined by AFL	2	

OPGW Double Dead End Wood Pole/H-Frame Configuration Assemblies

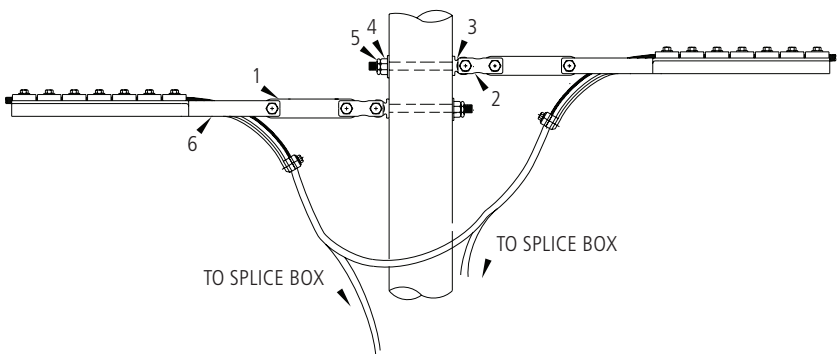


AFL NO.

OWPDD1 - **DNOXXXX**
 Assembly Code - Cable Spec. Number

Bill of Material

ITEM	DESCRIPTION	MATERIAL	AFL OR DWG. NO.	REQ'D	REMARKS
1	Socket Eye	Galvanized Steel	SE-BDE	2	
2	Y-Clevis Ball Hot Link	Galvanized Steel	YCBHL	2	Pin Dia. = 0.75" (19 mm)
3	3/4" Shoulder Eye Bolt	Galvanized Steel	SEB-3/4-14	2	Length = 14"
4	3/4" Washer Nut	Galvanized Steel	WN-3/4	2	
5	3/4" MF Lock Nut	Galvanized Steel	LN-3/4	2	
6	Bolted Deadend (Included)	Aluminum	Determined by AFL	2	



AFL NO.

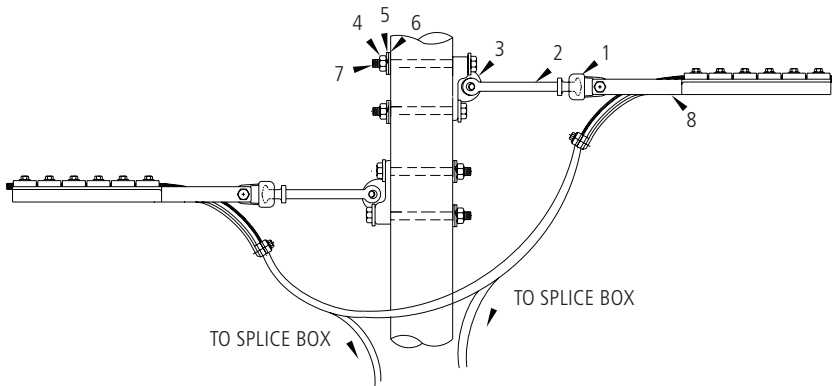
OWPDD2 - **DNOXXXX**
 Assembly Code - Cable Spec. Number

Bill of Material

ITEM	DESCRIPTION	MATERIAL	AFL OR DWG. NO.	REQ'D	REMARKS
1	Link Plate	Aluminum	ODELP10	2	
2	Y-Clevis Clevis	Galvanized Steel	YCC	2	Pin Dia. = 0.75" (19 mm)
3	3/4" Shoulder Eye Bolt	Galvanized Steel	SEB-3/4-14	2	
4	3/4" Washer Nut	Galvanized Steel	WN-3/4	2	
5	3/4" MF Lock Nut	Galvanized Steel	LN-3/4	2	
6	Bolted Deadend (Included)	Aluminum	Determined by AFL	2	

continued

OPGW Double Dead End Wood Pole/H-Frame Configuration Assemblies (cont.)

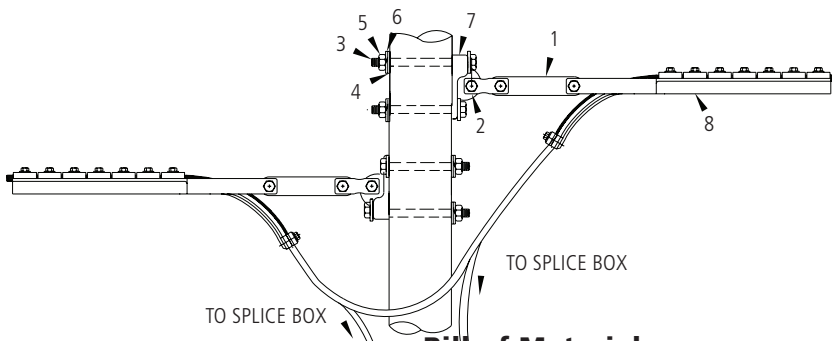


AFL NO.

OWPDD3 - **DNOXXXX**
 Assembly Code Cable Spec. Number

Bill of Material

ITEM	DESCRIPTION	MATERIAL	AFL OR DWG. NO.	REQ'D	REMARKS
1	Socket Eye	Galvanized Steel	SE-BDE	2	
2	Y-Clevis Ball Hot Link	Galvanized Steel	YCBHL	2	Pin Dia. = 0.75" (19 mm)
3	Eye Plate	Galvanized Steel	EP1	2	
4	3/4" Lock Washer Nut	Galvanized Steel	LW-3/4	4	
5	3/4" Nut	Galvanized Steel	HN-3/4	4	
6	3/4" Flat Washer	Galvanized Steel	FW -3/4	4	
7	3/4" Through Bolt	Galvanized Steel	TB-3/4-14	4	Length = 14"
8	Bolted Deadend (Included)	Aluminum	Determined by AFL	2	



AFL NO.

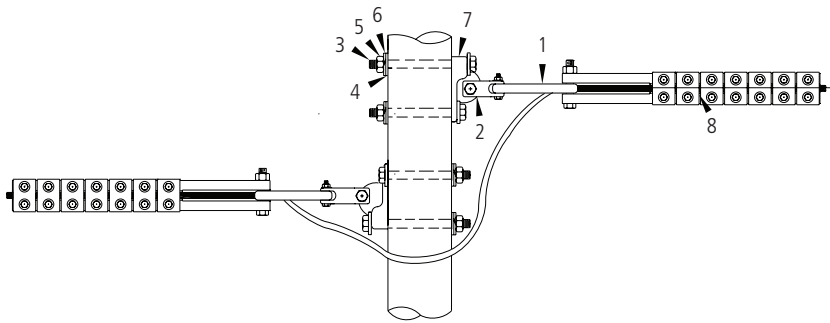
OWPDD4 - **DNOXXXX**
 Assembly Code Cable Spec. Number

Bill of Material

ITEM	DESCRIPTION	MATERIAL	AFL OR DWG. NO.	REQ'D	REMARKS
1	Link Plate	Aluminum	ODELP10	2	
2	Y-Clevis Clevis	Galvanized Steel	YCC	2	Pin Dia. = 0.75" (19 mm)
3	3/4" Through Bolt	Galvanized Steel	TB-3/4-14	4	Length = 14"
4	3/4" Flat Washer	Galvanized Steel	FN-3/4	4	
5	3/4" Nut	Galvanized Steel	HN-3/4	4	
6	3/4" Lock Washer	Galvanized Steel	LW-3/4	4	
7	Eye Plate	Galvanized Steel	EP1	2	
8	Bolted Deadend (Included)	Aluminum	Determined by AFL	2	

continued

OPGW Double Dead End Wood Pole/H-Frame Configuration Assemblies (cont.)



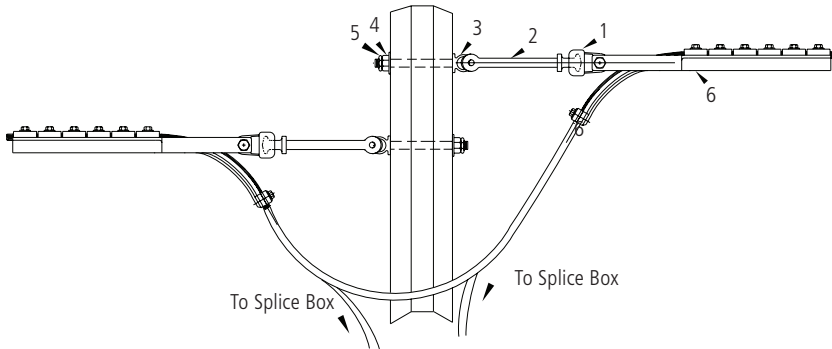
AFL NO.

OWPDD5 - **DNOXXXX**
 Assembly Code Cable Spec. Number

Bill of Material

ITEM	DESCRIPTION	MATERIAL	AFL OR DWG. NO.	REQ'D	REMARKS
1	Link Plate	Aluminum	ODEL10	2	
2	Y-Clevis Clevis 90°	Galvanized Steel	YCC-90	2	Pin Dia. = 0.75" (19 mm)
3	3/4" Through Bolt	Galvanized Steel	TB-3/4-14	4	Length = 14"
4	3/4" Flat Washer	Galvanized Steel	FN-3/4	4	
5	3/4" Nut	Galvanized Steel	HN-3/4	4	
6	3/4" Lock Washer	Galvanized Steel	LW-3/4	4	
7	Eye Plate	Galvanized Steel	EP1	2	
8	Bolted Deadend (Included)	Aluminum	Determined by AFL	2	

OPGW Double Dead End Steel Pole/Drilled Configuration Assemblies

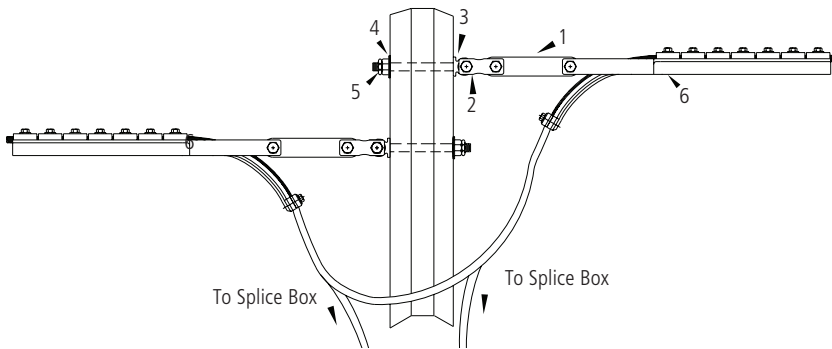


AFL NO.

OSPDD1 - **DNOXXXX**
 Assembly Code Cable Spec. Number

Bill of Material

ITEM	DESCRIPTION	MATERIAL	AFL OR DWG. NO.	REQ'D	REMARKS
1	Socket Eye	Galvanized Steel	SE-BDE	2	
2	Y-Clevis Ball Hot Link	Galvanized Steel	YCBHL	2	Pin Dia. = 0.75" (19 mm)
3	3/4" Shoulder Eye Bolt	Galvanized Steel	SEB-3/4-14	2	
4	3/4" Washer Nut	Galvanized Steel	WN-3/4	2	
5	3/4" MF Lock Nut	Galvanized Steel	LN-3/4	2	
6	Bolted Deadend (Included)	Aluminum	Determined by AFL	2	



AFL NO.

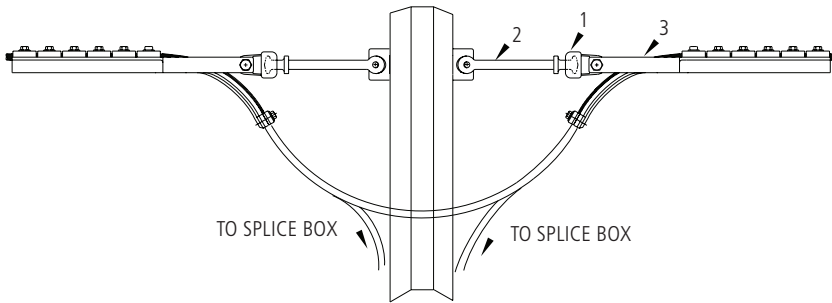
OSPDD2 - **DNOXXXX**
 Assembly Code Cable Spec. Number

Bill of Material

ITEM	DESCRIPTION	MATERIAL	AFL OR DWG. NO.	REQ'D	REMARKS
1	Link Plate	Aluminum	ODELP10	2	
2	Y-Clevis Clevis	Galvanized Steel	YCC	2	Pin Dia. = 0.75" (19 mm)
3	3/4" Shoulder Eye Bolt	Galvanized Steel	SEB-3/4-14	2	
4	3/4" Washer Nut	Galvanized Steel	WN-3/4	2	
5	3/4" MF Lock Nut	Galvanized Steel	LN-3/4	2	
6	Bolted Deadend (Included)	Aluminum	Determined by AFL	2	

continued

OPGW Double Dead End Steel Pole/Vang Configuration Assemblies

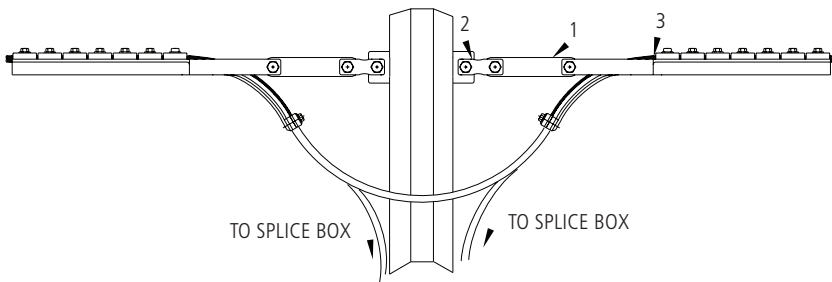


AFL NO.

OSPDD3 - **DNOXXXX**
 Assembly Code Cable Spec. Number

Bill of Material

ITEM	DESCRIPTION	MATERIAL	AFL OR DWG. NO.	REQ'D	REMARKS
1	Socket Eye	Galvanized Steel	SE-BDE	2	
2	Y-Clevis Ball Hot Link	Galvanized Steel	YCBHL	2	Pin Dia. = 0.75" (19 mm)
3	Bolted Deadend (Included)	Aluminum	Determined by AFL	2	



AFL NO.

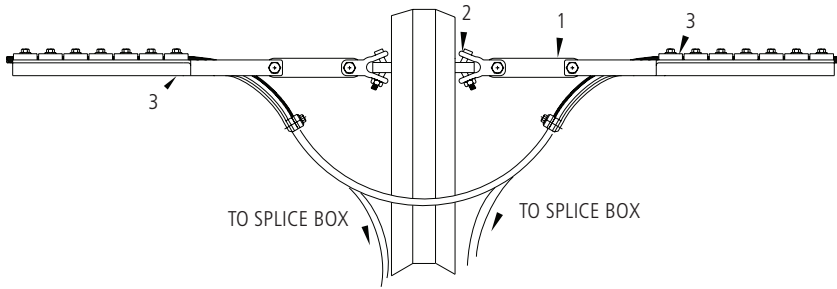
OSPDD4 - **DNOXXXX**
 Assembly Code Cable Spec. Number

Bill of Material

ITEM	DESCRIPTION	MATERIAL	AFL OR DWG. NO.	REQ'D	REMARKS
1	Link Plate	Aluminum	ODEL10	2	
2	Y-Clevis Clevis	Galvanized Steel	YCC	2	Pin Dia. = 0.75" (19 mm)
3	Bolted Deadend (Included)	Aluminum	Determined by AFL	2	

continued

OPGW Double Dead End Steel Pole/Vang Configuration Assemblies (cont.)



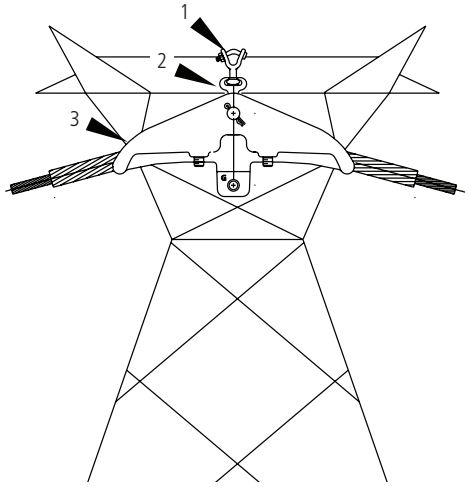
AFL NO.

OSPDD5 - **DNOXXXX**
 Assembly Code Cable Spec. Number

Bill of Material

ITEM	DESCRIPTION	MATERIAL	AFL OR DWG. NO.	REQ'D	REMARKS
1	Link Plate	Aluminum	ODELP10	2	
2	Y-Clevis Clevis 90°	Galvanized Steel	YCC-90	2	Pin Dia. = 0.75" (19 mm)
3	Bolted Deadend (Included)	Aluminum	Determined by AFL	2	

OPGW Single Suspension Lattice Tower Configuration Assemblies



AFL NO.

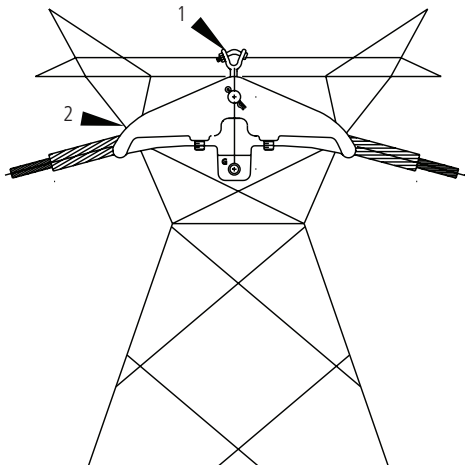
OLTSP1 - XXX/XXX

Assembly Code

SUME Range Code

Bill of Material

ITEM	DESCRIPTION	MATERIAL	AFL OR DWG. NO.	REQ'D	REMARKS
1	Y-Clevis Ball	Galvanized Steel	YCBS	1	Pin Dia. = 0.75" (19 mm)
2	Socket Eye	Galvanized Steel	SE-SC	1	
3	Suspension Clamp Assembly (Included)	Aluminum	SUME XXX/XXX	1	



AFL NO.

OLTSP2 - XXX/XXX

Assembly Code

SUME Range Code

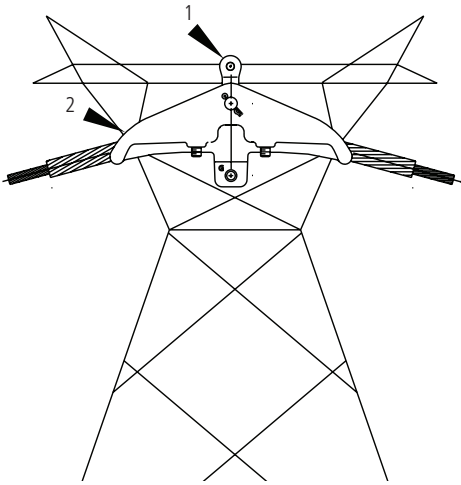
Bill of Material

ITEM	DESCRIPTION	MATERIAL	AFL OR DWG. NO.	REQ'D	REMARKS
1	Y-Clevis Eye 90°	Galvanized Steel	YC90E-750-1750	1	Pin Dia. = 0.75" (19 mm)
2	Suspension Clamp Assembly (Included)	Aluminum	SUME XXX/XXX	1	

continued
→

OPGW Single Suspension Lattice Tower Configuration Assemblies (cont.)

Fiber Optic Cable Hardware



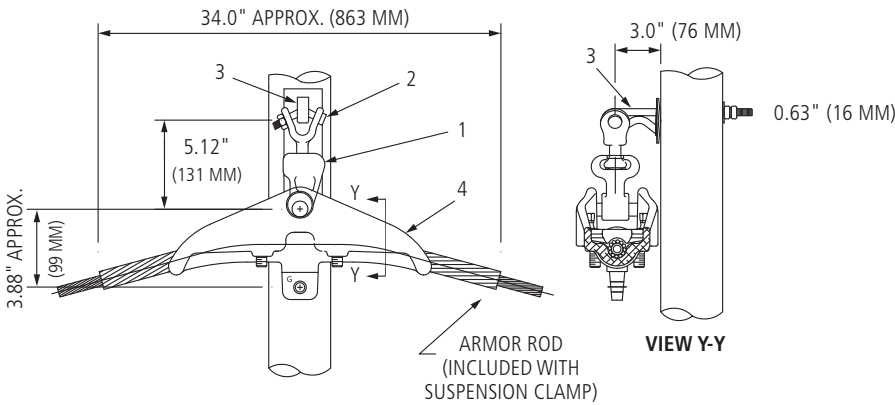
AFL NO.

OLTSP3 — **XXX/XXX**
 Assembly Code SUME Range Code

Bill of Material

ITEM	DESCRIPTION	MATERIAL	AFL OR DWG. NO.	REQ'D	REMARKS
1	Y-Clevis Eye	Galvanized Steel	YCE-690-1125	1	Pin Dia. = 0.75" (19 mm)
2	Suspension Clamp Assembly (Included)	Aluminum	SUME XXX/XXX	1	

OPGW Single Suspension Wood Pole/H-Frame Configuration Assemblies

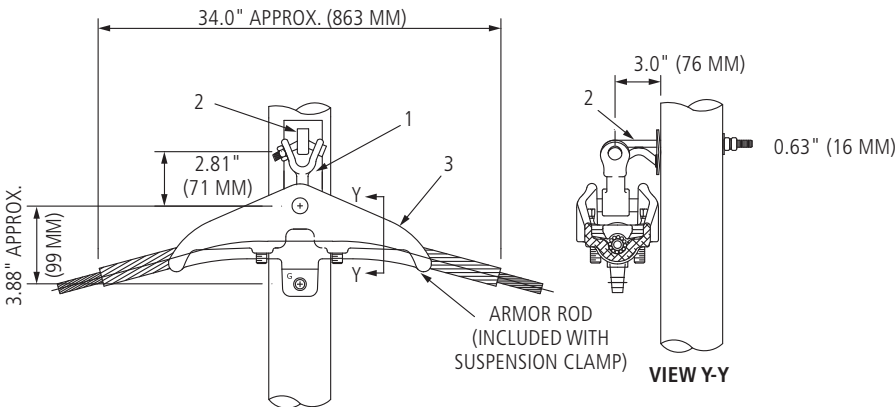


AFL NO.

OWPSP1 - **XXX/XXX**
 Assembly Code SUME Range Code

Bill of Material

ITEM	DESCRIPTION	MATERIAL	AFL OR DWG. NO.	REQ'D	REMARKS
1	Socket Eye	Galvanized Steel	SE-SC	1	
2	Y-Clevis Ball	Galvanized Steel	YCBS	1	Pin Dia. = 0.75" (19 mm)
3	Shield Wire Support Bracket	Galvanized Steel	SFOSB-WP-14	1	14" Bolt, 0.63" (16 mm) Dia.
4	Suspension Clamp Assembly (included)	Aluminum	SUME XXX/XXX	1	



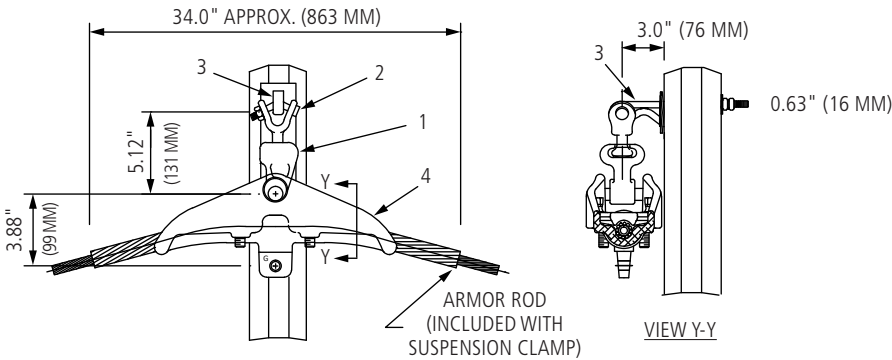
AFL NO.

OWPSP2 - **XXX/XXX**
 Assembly Code SUME Range Code

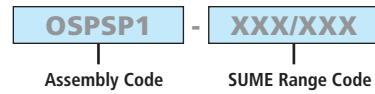
Bill of Material

ITEM	DESCRIPTION	MATERIAL	AFL OR DWG. NO.	REQ'D	REMARKS
1	Y-Clevis Eye 90°	Galvanized Steel	YC90E-750-1750	1	Pin Dia. = 0.75" (19 mm)
2	Shield Wire Support Bracket	Galvanized Steel	SFOSB-WP-14	1	14" Bolt, 0.63" (16 mm) Dia.
3	Susp. Damp Assembly (included)	Aluminum	SUME XXX/XXX	1	

OPGW Single Suspension Steel Pole/Drilled Configuration Assembly



AFL NO.

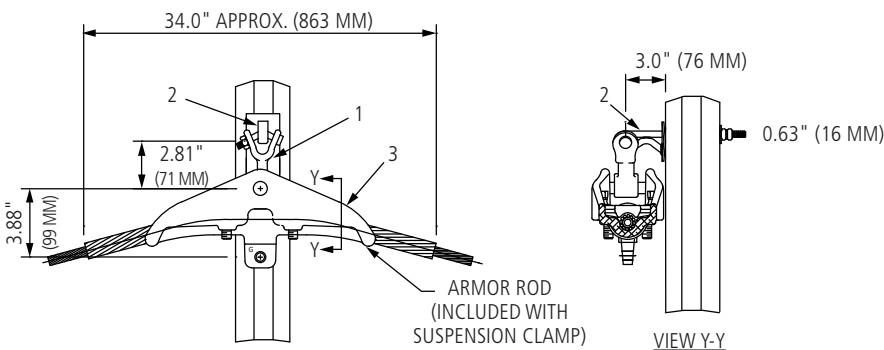


Assembly Code

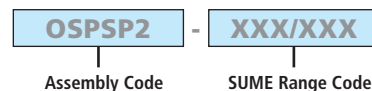
SUME Range Code

Bill of Material

ITEM	DESCRIPTION	MATERIAL	AFL OR DWG. NO.	REQ'D	REMARKS
1	Socket Eye	Galvanized Steel	SE-SC	1	
2	Y-Clevis Ball	Galvanized Steel	YCBS	1	Pin Dia. = 0.75" (19 mm)
3	Shield Wire Support Bracket	Galvanized Steel	SFOSB-WP-14	1	14" Bolt, 0.63" (16 mm) Dia.
4	Suspension Clamp Assembly (Included)	Aluminum	SUME XXX/XXX	1	



AFL NO.



Assembly Code

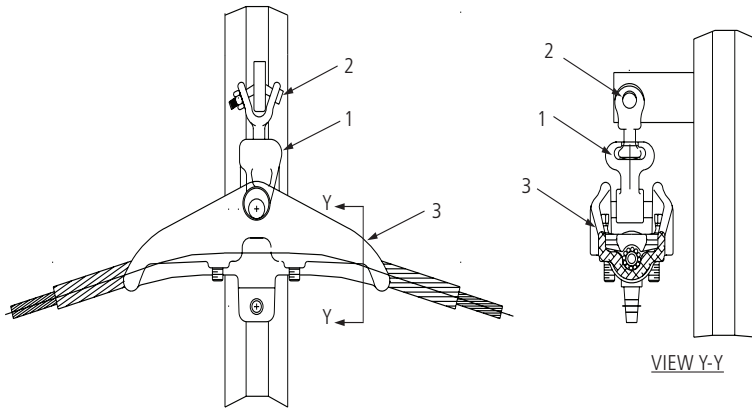
SUME Range Code

Bill of Material

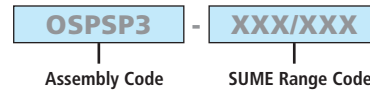
ITEM	DESCRIPTION	MATERIAL	AFL OR DWG. NO.	REQ'D	REMARKS
1	Y-Clevis Eye 90°	Galvanized Steel	YC90E-750-1750	1	Pin Dia. = 0.75" (19 mm)
2	Shield Wire Support Bracket	Galvanized Steel	SFOSB-WP-14	1	14" Bolt, 0.63" (16 mm) Dia.
3	Suspension Clamp Assembly (Included)	Aluminum	SUME XXX/XXX	1	

continued

OPGW Single Suspension Steel Pole/Vang Configuration Assemblies

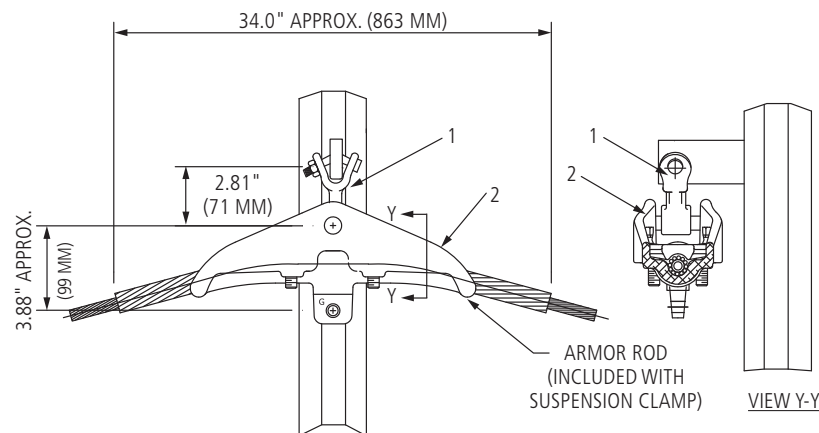


AFL NO.

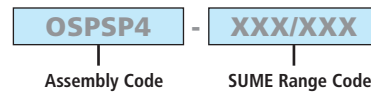


Bill of Material

ITEM	DESCRIPTION	MATERIAL	AFL OR DWG. NO.	REQ'D	REMARKS
1	Socket Eye	Galvanized Steel	SE-SC	1	
2	Y-Clevis Ball	Galvanized Steel	YCBS	1	Pin Dia. = 0.75" (19 mm)
3	Suspension Clamp Assembly (Included)	Aluminum	SUME XXX/XXX	1	



AFL NO.

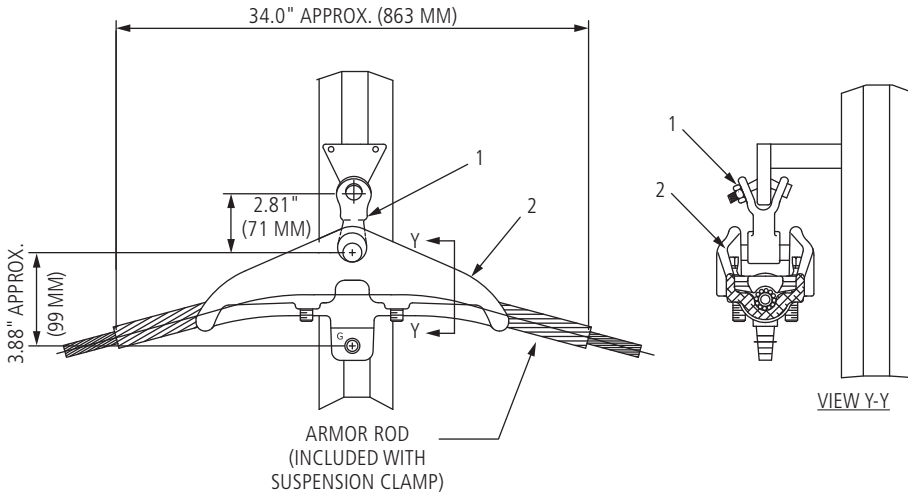


Bill of Material

ITEM	DESCRIPTION	MATERIAL	AFL OR DWG. NO.	REQ'D	REMARKS
1	Y-Clevis Eye 90°	Galvanized Steel	YC90E-750-1750	1	Pin Dia. = 0.75" (19 mm)
2	Suspension Clamp Assembly (Included)	Aluminum	SUME XXX/XXX	1	

continued
→

OPGW Single Suspension Steel Pole/Vang Configuration Assemblies (cont.)

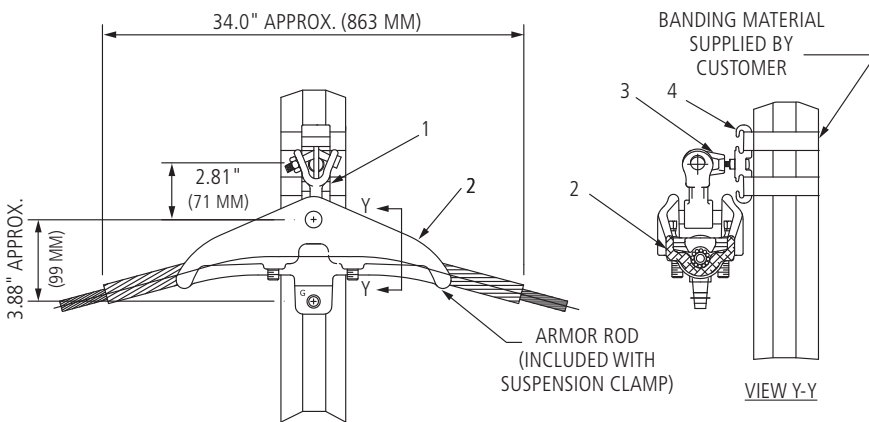


AFL NO.

OSPSP5 - **XXX/XXX**
 Assembly Code SUME Range Code

Bill of Material

ITEM	DESCRIPTION	MATERIAL	AFL OR DWG. NO.	REQ'D	REMARKS
1	Y-Clevis Eye	Galvanized Steel	YCS-11	1	Pin Dia. = 0.75" (19 mm)
2	Suspension Clamp Assembly (Included)	Aluminum	SUME XXX/XXX	1	



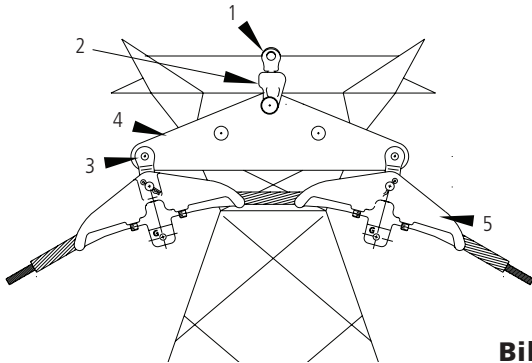
AFL NO.

OSPSP6 - **XXX/XXX**
 Assembly Code SUME Range Code

Bill of Material

ITEM	DESCRIPTION	MATERIAL	AFL OR DWG. NO.	REQ'D	REMARKS
1	Y-Clevis Eye 90°	Galvanized Steel	YC90E-750-1750	1	Pin Dia. = 0.75" (19mm)
2	Suspension Clamp Assembly (Included)	Aluminum	SUME XXX/XXX	1	
3	Eye Bolt	Galvanized Steel			
4	Banding Adaptor	Aluminum			

OPGW Double Suspension Lattice Tower Configuration Assemblies



AFL NO.

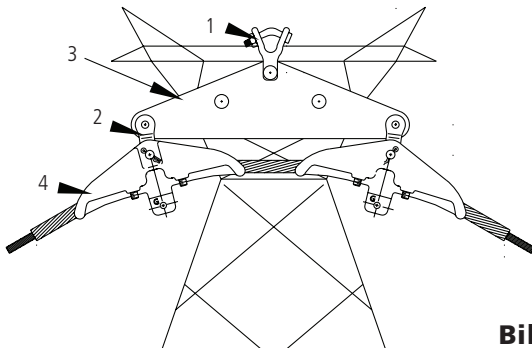
OLTSS1 — **XXX/XXX**

Assembly Code

SUME Range Code

Bill of Material

ITEM	DESCRIPTION	MATERIAL	AFL OR DWG. NO.	REQ'D	REMARKS
1	Y-Clevis Ball	Galvanized Steel	YCBS	1	Pin Dia. = 0.75" (19 mm)
2	Socket Clevis	Galvanized Steel	SC-YP	1	
3	Clevis Eye	Galvanized Steel	CE-SC	2	
4	Yoke Plate	Galvanized Steel	SUMEYP	1	
5	Double Suspension (included)	Aluminum	ODSME XXX/XXX	1	



AFL NO.

OLTSS2 — **XXX/XXX**

Assembly Code

SUME Range Code

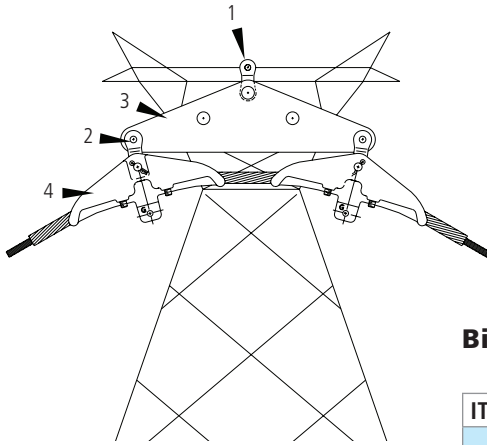
Bill of Material

ITEM	DESCRIPTION	MATERIAL	AFL OR DWG. NO.	REQ'D	REMARKS
1	Y-Clevis Clevis 90°	Galvanized Steel	YCC-90	1	Pin Dia. = 0.75" (19 mm)
2	Clevis Eye	Alum./Gal. Steel	CE-SC	2	
3	Yoke Plate	Alum./Gal. Steel	SUMEYP	1	
4	Double Suspension (included)	Alum./Gal. Steel	ODSME XXX/XXX	1	

continued
→

OPGW Double Suspension Lattice Tower Configuration Assemblies (cont.)

Fiber Optic Cable Hardware



AFL NO.

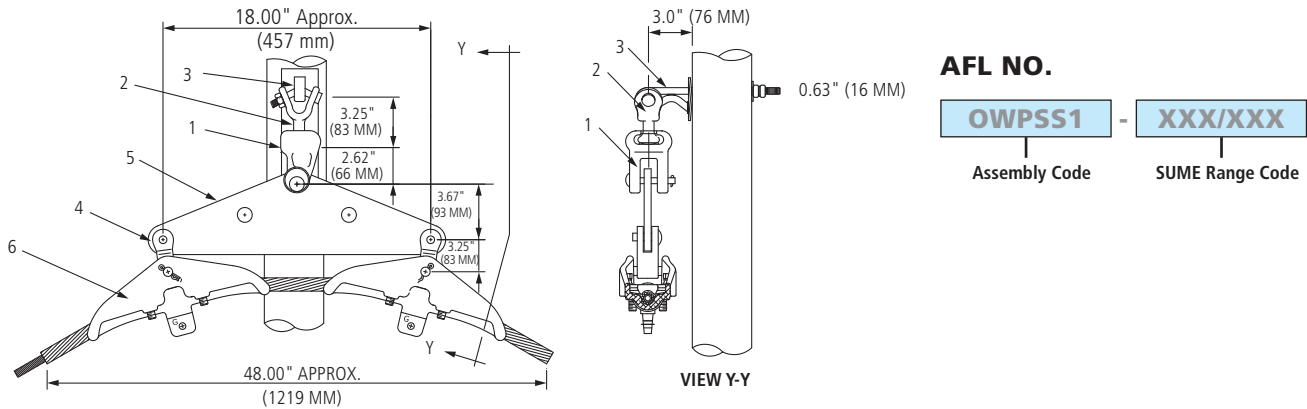
OLTSS3
Assembly Code

XXX/XXX
SUME Range Code

Bill of Material

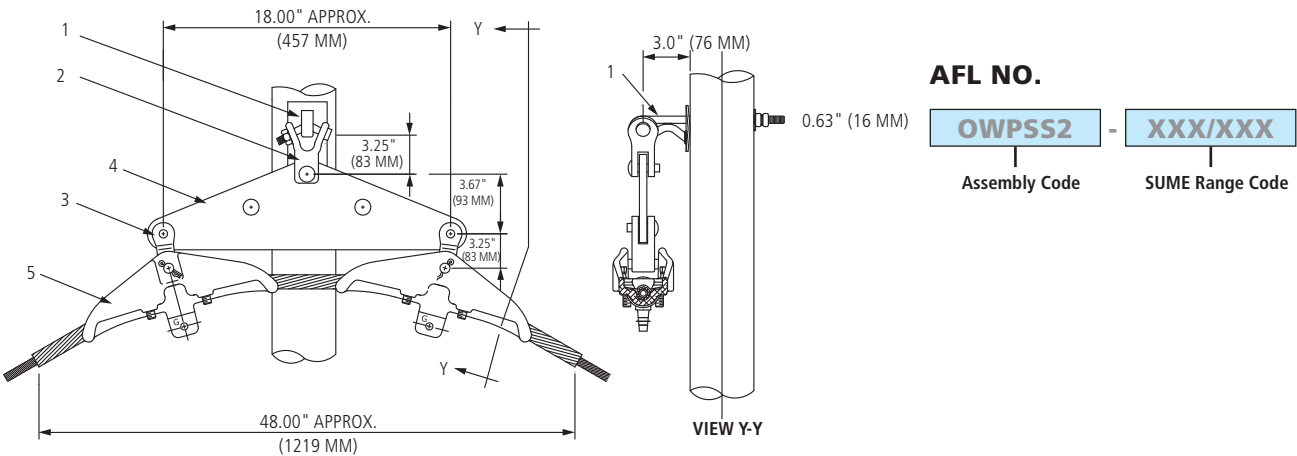
ITEM	DESCRIPTION	MATERIAL	AFL OR DWG. NO.	REQ'D	REMARKS
1	Y-Clevis Clevis	Galvanized Steel	YCC	1	Pin Dia. = 0.75" (19 mm)
2	Clevis Eye	Galvanized Steel	CE-SC	2	
3	Yoke Plate	Galvanized Steel	SUMEYP	1	
4	Double Suspension (included)	Aluminum	ODSME XXX/XXX	1	

OPGW Double Suspension Wood Pole/H-Frame Configuration Assemblies



Bill of Material

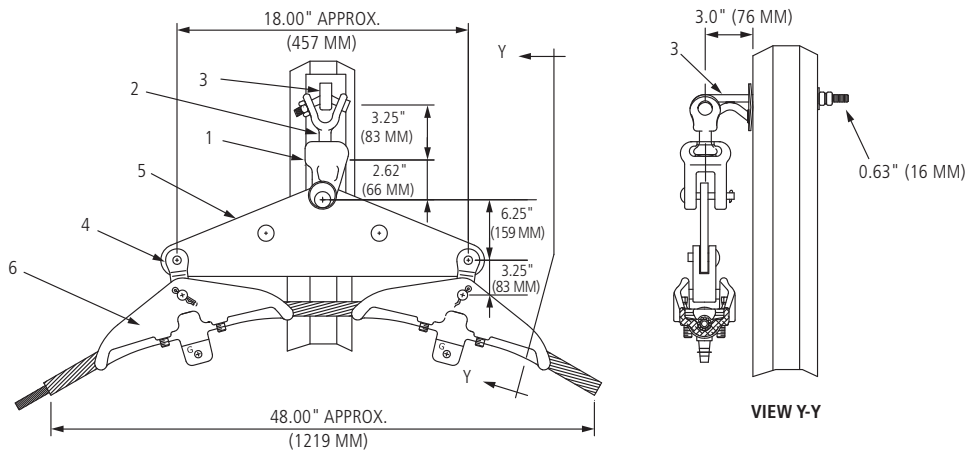
ITEM	DESCRIPTION	MATERIAL	AFL OR DWG. NO.	REQ'D	REMARKS
1	Socket Clevis	Galvanized Steel	SC-YP	1	
2	Y-Clevis Ball	Galvanized Steel	YCBS	1	Pin Dia. = 0.75" (19 mm)
3	Shield Wire Support Bracket	Galvanized Steel	SFOSB-WP-14	1	14" Bolt, 0.63" (16 mm) Dia.
4	Clevis Eye	Galvanized Steel	CE-SC	2	
5	Yoke Plate	Galvanized Steel	SUMEYP	1	
6	Double Suspension (incl.)	Aluminum	ODSME XXX/XXX	1	



Bill of Material

ITEM	DESCRIPTION	MATERIAL	AFL OR DWG. NO.	REQ'D	REMARKS
1	Shield Wire Support Bracket	Galvanized Steel	SFOSB-WP-14	1	14" Bolt, 0.63" (16 mm) Dia.
2	Y-Clevis Clevis 90°	Galvanized Steel	YCC-90	1	Pin Dia. = 0.75" (19 mm)
3	Clevis Eye	Galvanized Steel	CE-SC	2	
4	Yoke Plate	Galvanized Steel	SUMEYP	1	
5	Double Suspension (Included)	Aluminum	ODSME XXX/XXX	1	

OPGW Double Suspension Steel Pole/Drilled Configuration Assembly

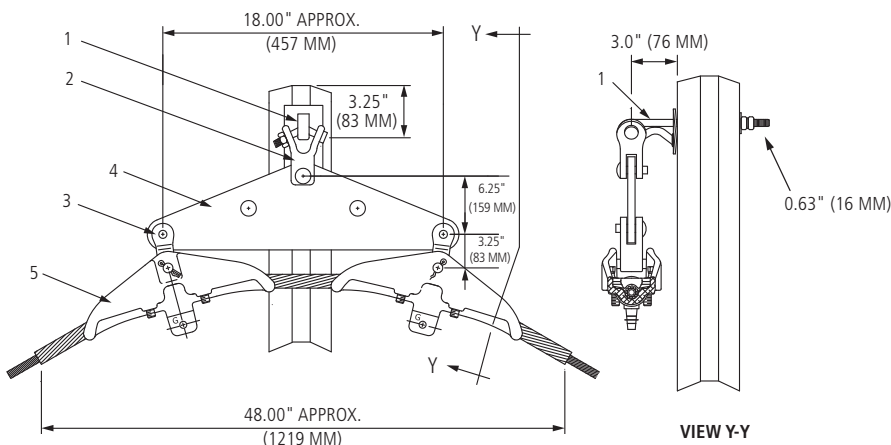


AFL NO.

OSPSS1	-	XXX/XXX
Assembly Code		SUME Range Code

Bill of Material

ITEM	DESCRIPTION	MATERIAL	AFL OR DWG. NO.	REQ'D	REMARKS
1	Socket Clevis	Galvanized Steel	SC-YP	1	
2	Y-Clevis Ball	Galvanized Steel	YCBS	1	Pin Dia. = 0.75" (19 mm)
3	Shield Wire Support Bracket	Galvanized Steel	SFOSB-WP-14	1	14" Bolt, 0.63" (16 mm) Dia.
4	Clevis Eye	Galvanized Steel	CE-SC	2	
5	Yoke Plate	Galvanized Steel	SUMEYP	1	
6	Double Suspension (incl.)	Aluminum	ODSME XXX/XXX	1	



AFL NO.

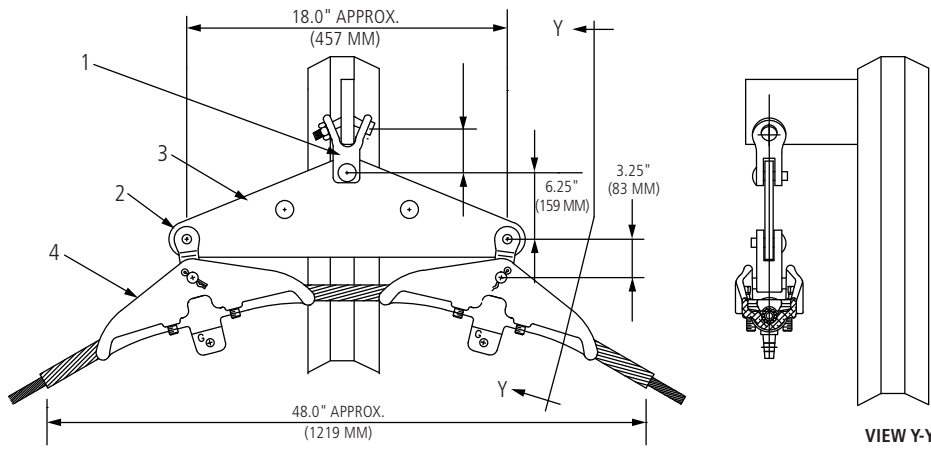
OSPSS2	-	XXX/XXX
Assembly Code		SUME Range Code

Bill of Material

ITEM	DESCRIPTION	MATERIAL	AFL OR DWG. NO.	REQ'D	REMARKS
1	Shield Wire Support Bracket	Galvanized Steel	SFOSB-WP-14	1	14" Bolt, 0.63" (16 mm) Dia.
2	Y-Clevis Clevis 90°	Galvanized Steel	YCC-90	1	Pin Dia. = 0.75" (19 mm)
3	Clevis Eye	Galvanized Steel	CE-SC	2	
4	Yoke Plate	Galvanized Steel	SUMEYP	1	
5	Double Suspension (incl.)	Aluminum	ODSME XXX/XXX	1	

continued
→

OPGW Double Suspension Steel Pole/Vang Configuration Assembly

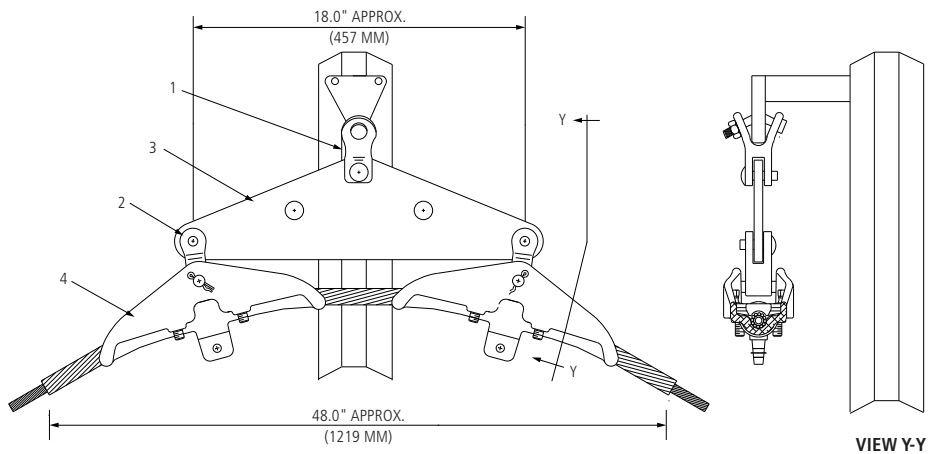


AFL NO.

OSPSS4	-	XXX/XXX
Assembly Code		SUME Range Code

Bill of Material

ITEM	DESCRIPTION	MATERIAL	AFL OR DWG. NO.	REQ'D	REMARKS
1	Y-Clevis Clevis 90°	Galvanized Steel	YCC-90	1	Pin Dia. = 0.75" (19 mm)
2	Clevis Eye	Galvanized Steel	CE-SC	2	
3	Yoke Plate	Galvanized Steel	SUMEYP	1	
4	Double Suspension (incl.)	Aluminum	ODSME XXX/XXX	1	



AFL NO.

OSPSS5	-	XXX/XXX
Assembly Code		SUME Range Code

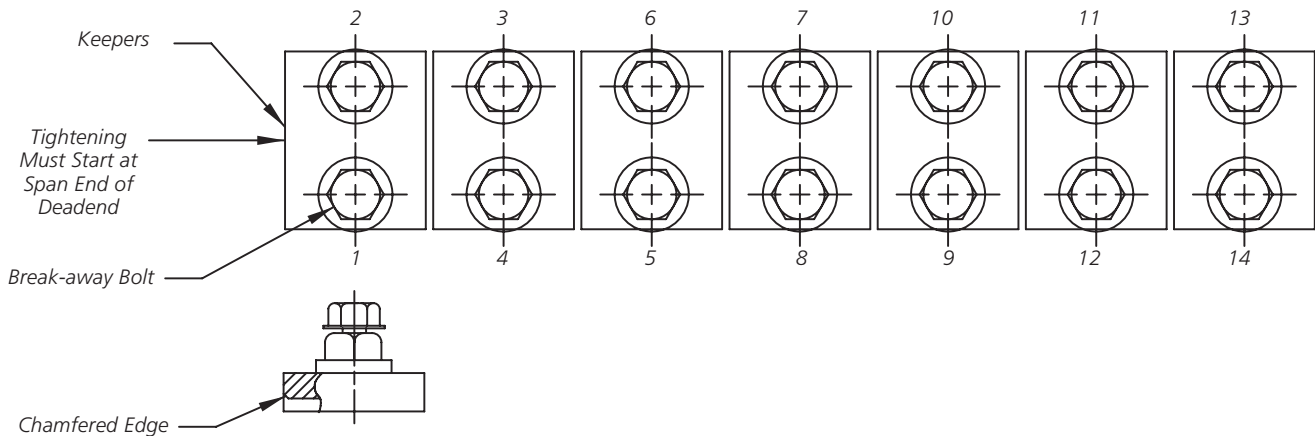
Bill of Material

ITEM	DESCRIPTION	MATERIAL	AFL OR DWG. NO.	REQ'D	REMARKS
1	Y-Clevis Clevis	Galvanized Steel	YCC	1	Pin Dia. = 0.75" (19 mm)
2	Clevis Eye	Galvanized Steel	CE-SC	2	
3	Yoke Plate	Galvanized Steel	SUMEYP	1	
4	Double Suspension (incl.)	Aluminum	ODSME XXX/XXX	1	

Installation Instructions for OPGW Bolted Dead End

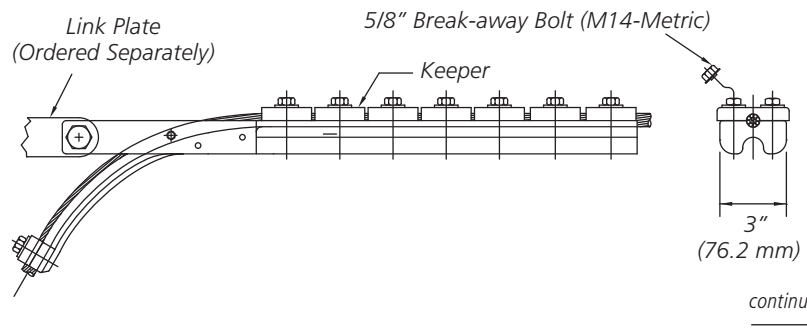
Procedure

1. Disassemble dead end. Remove one bolt from the same side of each keeper. Loosen other bolts to permit conductor to be placed in the conductor groove. If keepers and bolts are removed completely, care must be taken to return the keeper closest to the span end of the dead end to its original position (chamfered edge towards span). Remove clevis hardware.
2. Straighten conductor removing set caused by reel.
3. Place conductor into groove and install dead end keepers with washers break-away bolts.
4. Care should be taken during installation to maintain the keepers squarely on the conductor with equal clearance on both sides of conductor.
5. Starting at the span end of the dead end, follow the tightening sequence shown below, tighten all bolts to approximately 5 ft.-lbs. (7 Nm for metric). Repeat to approximately 25 ft.-lbs. (33 Nm for metric). Then final pass until break-away head breaks off. The sequential pattern is set up to equalize the load in each bolt and to prevent the deadend keepers from cocking to one side during installation.



6. If cable guide is not supplied, proceed to step 8. Cable guide, if used, is provided to insure that minimum bending radius of OPGW is not violated. Care should be exercised to avoid undue stress on cable guide. Note: cable guide is not a structural member and adds nothing to the holding strength of the clamp. Train conductor to make it bottom along the cable guide groove. This is important to assure clearance for the link plate/connecting hardware.
7. After placing OPGW into cable guide groove, install cable guide keeper with lockwashers and green break-away bolts alternately tightening bolts by 2 ft.-lbs. Repeat until break-away head breaks off. Care should be taken during installation to maintain the keeper squarely on the conductor with equal clearance on both sides of conductor.
8. Install connecting hardware with dead end clevis bolt. Check for clearance with OPGW.
9. If re-installation is necessary, bolts should be torqued according to the chart below. Installation with a torque wrench must be performed when break-away bolt is not present.

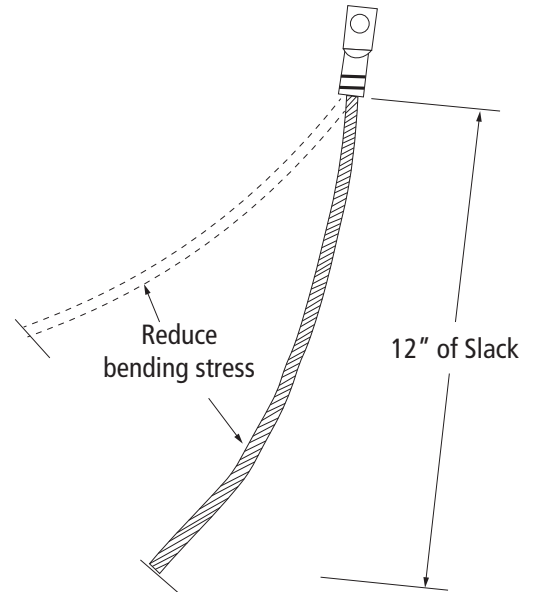
BOLT SIZE (IN.)	BOLT COLOR	BREAK-AWAY TORQUE (FT-LBS.)
1/2	Black	27-32
5/8	Red	35-40
5/8	Blue	40-45



continued
→

Installation Instructions for OPGW Bolted Dead End

10. Attach grounding lug to grounding pad on side of dead end body (using 1/2" - 13) if grounding is required. Ground wire assembly must be long enough such that 12" of free slack wire extends directly down from the suspension grounding pad before looping back up to the adjacent structure attachment point.

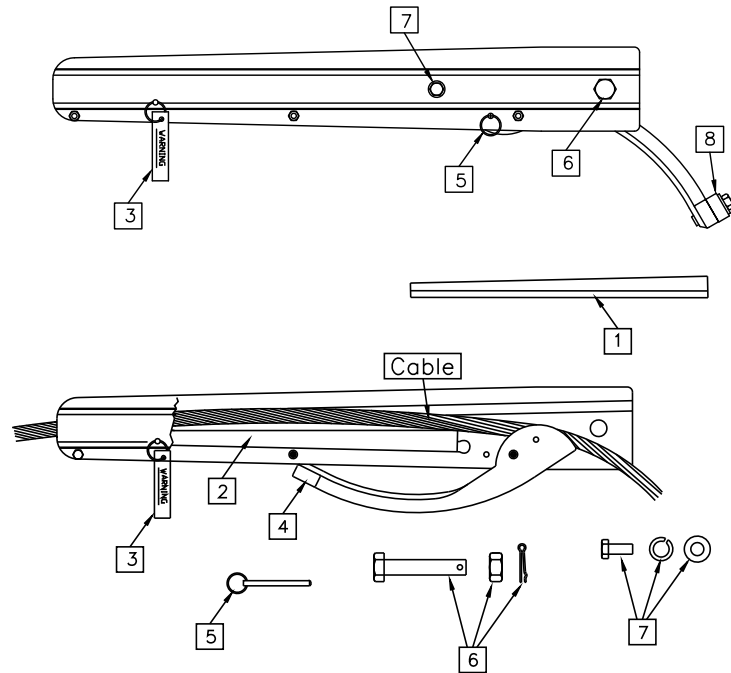


Installation Instructions for OPGW Wedge Dead End

NOTE: Except as may be otherwise provided by contract, these drawings and/or specifications are the property of AFL, are issued in strict confidence, and shall not be reproduced or copied or used as the basis for manufacture or sale of product without permission.

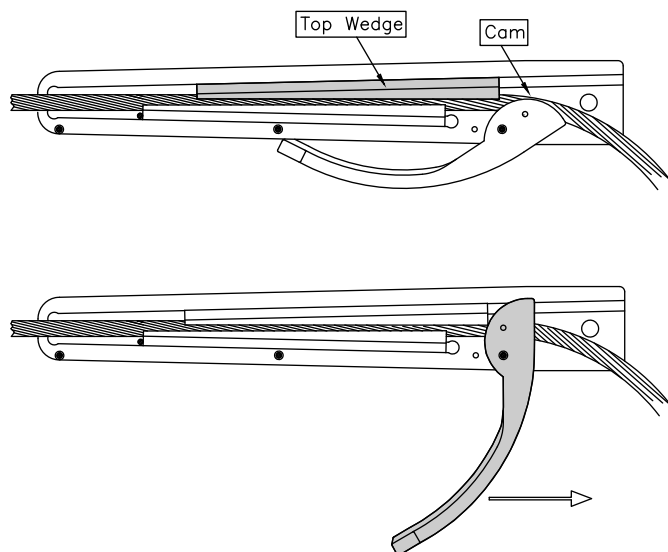
Parts of the Assembly

1. Top Wedge
2. Bottom Wedge
3. Wedge Retaining Pin (with Warning Label)
4. Cam/Cable Guide
5. Cable Guide Retaining Pin
6. Attachment Hardware
7. Grounding Hardware
8. Keeper



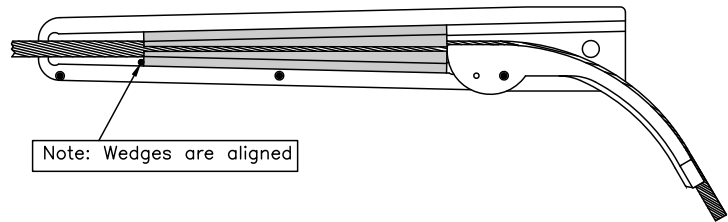
Installation Instructions

1. Hardware items (Items 6 & 7) are removed.
2. Top Wedge (Item 1) is removed.
3. Cable Guide Retaining Pin (Item 5) is removed.
4. Cam/Cable Guide (Item 4) is advanced as shown.
5. Cable is installed through the open top of the assembly and seated in Bottom Wedge.
6. Top wedge is installed and pushed beyond the "Cam" of the Cam/Cable Guide (Item 4).
7. The Cam/Cable Guide is pulled back to advance the top wedge.



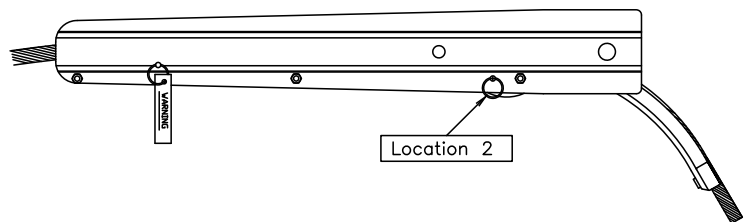
Installation Instructions for OPGW Wedge Dead End (cont.)

8. When Cam/Cable Guide is pulled back to position as shown, the Top Wedge will be inline with the Bottom Wedge.



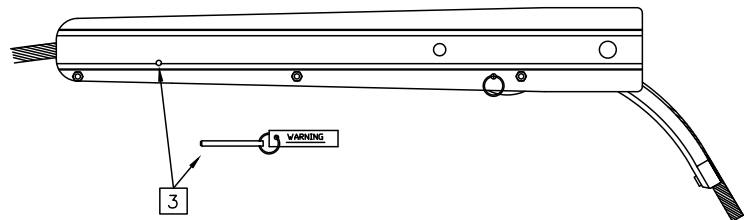
9. Replace Cable Guide Retaining Pin (Item 5) in "Location 2".

NOTE: Retaining Pin is installed through both side plates and holes shown at Location 2.



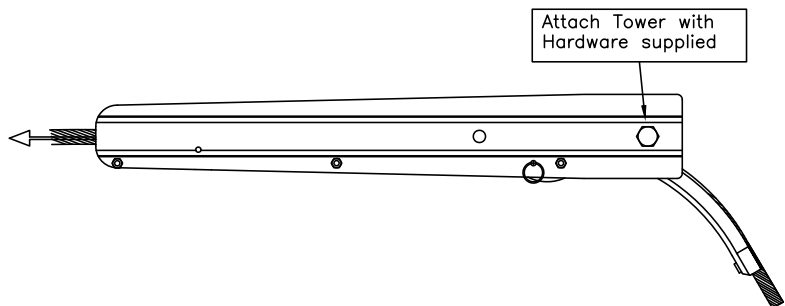
10. Remove Wedge Retaining Pin (Item 3).

NOTE: If Wedge Retaining Pin (Item 3) is not removed the dead end will not hold tension.

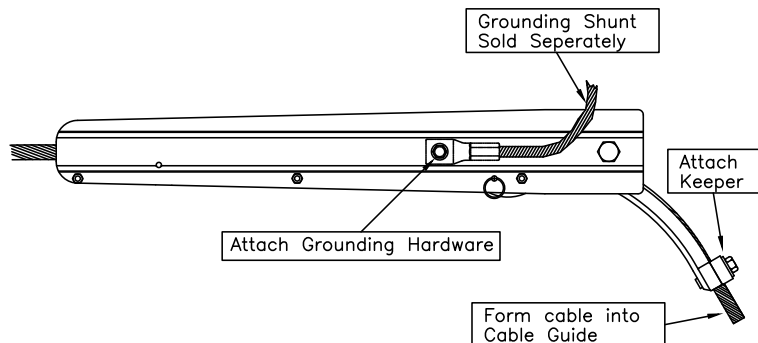


11. Attach OPGW Wedge Dead End to the tower with bolt, nut, and cotter pin supplied. Release tension on comealong. The wedges (Items 1 & 2) will advance, gripping the cable securely.

NOTE: A comealong is a temporary device which holds the cable during tensioning. The comealong is attached to a tensioning device, which is then attached to the tower. The comealong is located a distance from the end of the cable, leaving the end of the cable free to attaching the dead end.



12. Form cable into the groove of the Cam/Cable Guide, then attach keeper (Item 8) with lockwashers and green break-away bolts alternately tightening bolts by 2 ft.-lbs. Repeat until break-away head breaks off. Care should be taken during installation to maintain the keeper squarely on the conductor with equal clearance on both sides of conductor.



13. Attach grounding shunt with hardware provided. Torque bolts to 25 lbf.-ft. (34 N.m)

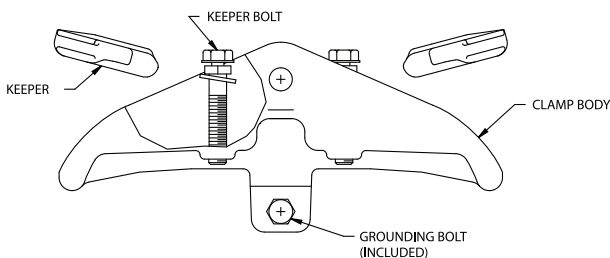
NOTE: Grounding Shunt sold separately. Contact customer service for ordering information.

14. Assembly is complete.

Installation Instructions for OPGW Suspension Unit

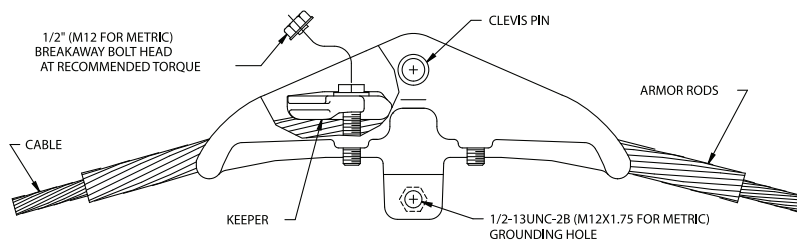
1. Mark center of clamp location on OPGW cable with ink (not tape).
2. Install armor rods on cable aligning center mark of armor rods with center mark on OPGW cable (per **Step 1**).
3. Remove clamp clevis pin. Loosen, but do not remove clamp keeper bolts. Remove clamp keepers. See **Figure 1**.

FIGURE 1:

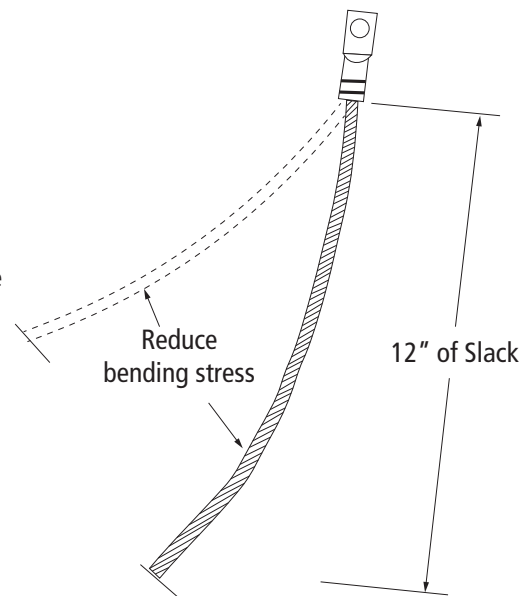


4. Place clamp body on OPGW cable and center clamp on armor rod center mark.
5. Attach clamp to tower attachment with clevis pin and install cotter pin in clevis pin.
6. Place keepers in clamp and slide keepers under keeper bolts (if double sided keeper, diameter range faces cable and armor rods).
7. Tighten keeper bolts finger tight and insure that keepers are not cocked on OPGW cable.
8. Tighten keeper bolts on each keeper in 5 ft-lb (7 nm for metric) increments, alternating tightening to insure keepers are not cocked in clamp. Tighten until break-away bolt head shears off (20-25 ft-lb or 28-35 nm for metric). See **Figure 2**.

FIGURE 2:



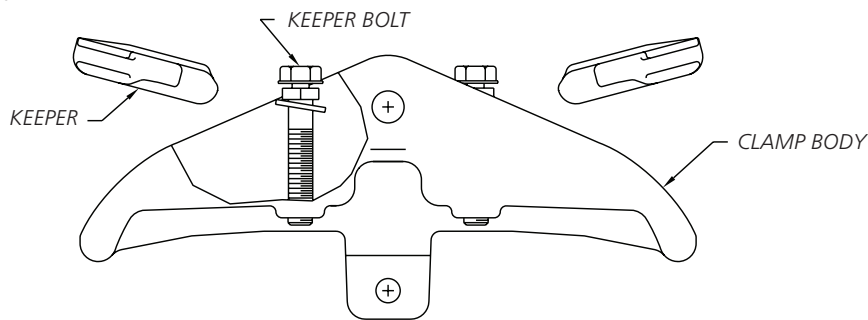
9. Attach grounding lug to grounding pad on bottom of suspension clamp (using 1/2"-13 or m12x1.75 Thread tapped hole) if grounding is required. Ground wire assembly must be long enough such that 12" of free slack wire extends directly down from the suspension grounding pad before looping back up to the adjacent structure attachment point.



Installation Instructions for OPGW Double Suspension Unit

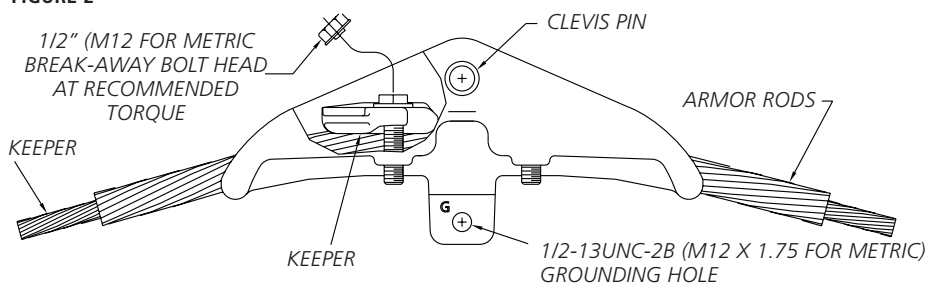
1. Mark center of clamp location on cable with ink (not tape).
2. Install the armor rods on cable aligning center mark of armor rods with center mark on OPGW (per Step 1).
3. Mark centers of clamp locations on armor rods with ink (not tape). This distance is equal to 1/2 the dimension between attachment holes on the yoke plate.
4. Remove clamp clevis pin. Loosen, but do not remove clamp keeper bolts. Remove the clamp keepers (see Figure 1).

FIGURE 1



5. Place clamp body on OPGW and center clamp on one of the center marks (per Step 3).
6. Place keepers in clamp and slide keepers under keeper bolts.
7. Tighten keeper bolts finger tight and insure that keepers are not cocked on OPGW.
8. Tighten keeper bolts on each keeper in 5 ft-lb increments, alternating tightening to insure keepers are not cocked in clamp. Tighten until break-away bolt head shears off (see Figure 2).

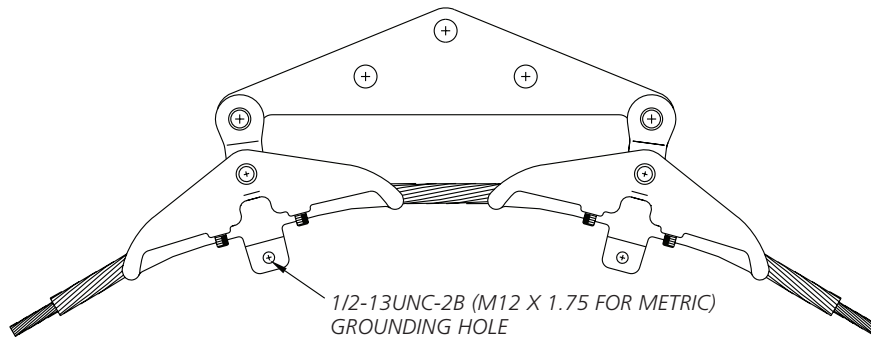
FIGURE 2



Installation Instructions for OPGW Double Suspension Unit (cont.)

9. Repeat steps 4 through 8 for the other clamp.
10. Attach clevis eye to clamp bodies with clevis pins and install cotter pins in clevis pins.
11. Attach clevis eyes to yoke plate.

FIGURE 3 - COMPLETED ASSEMBLY

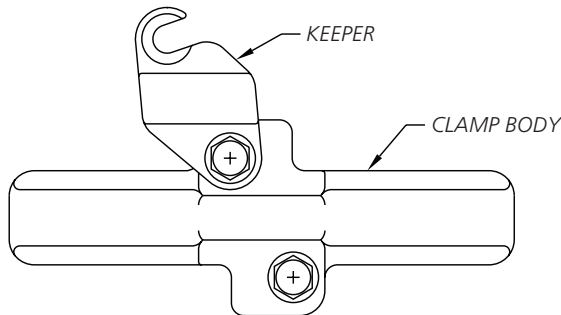


12. Attach completed assembly to tower attachment (see Figure 3).
13. Attach grounding lug to grounding pad (side marked "G") on bottom of suspension clamp (using 1/2"-13 thread tapped hole) if grounding is required.

Installation Instructions for OPGW Trunnion

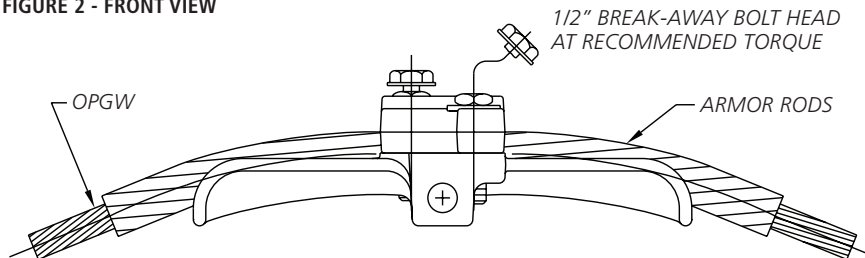
1. Mark center of clamp location on OPGW with ink (not tape).
2. Install armor rods on OPGW aligning center mark of armor rods with center mark on OPGW (per Step 1).
3. Loosen, but do not remove clamp keeper bolts. Rotate clamp keeper 180° from original position (see Figure 1).

FIGURE 1 - TOP VIEW



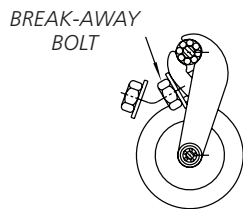
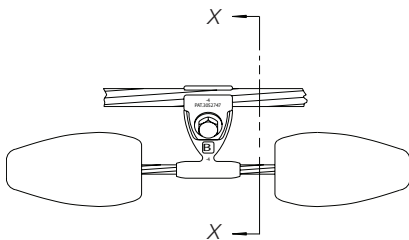
4. Place OPGW in clamp body and center clamp on armor rod center mark.
5. Return keeper to its original position.
6. Tighten keeper bolts finger tight and insure that keeper is not cocked on OPGW.
7. Tighten keeper bolts on keeper in 5 ft-lb increments, alternating tightening to insure keepers are not cocked in clamp. Tighten until break-away bolt head shears off (see Figure 2).

FIGURE 2 - FRONT VIEW



Installation Instructions for OPGW Vibration Damper

CABLE DIAMETER	BOLT SIZE	BREAK-AWAY TORQUE ft. lbs. (Nm)	
		MIN.	MAX.
.360 - .770	7/16 (M12)	18 (24)	23 (31)
.771 - .970	1/2 (M4)	20 (41)	25 (47)



General information and spacing recommendations:

AFL vibration dampers are produced with carefully designed and controlled dimensions. The dampers should be protected, preferably in their shipping containers, from dirt and foreign material prior to installation. Handling in the field should be with care to avoid mechanical damage.

AFL vibration dampers may be installed without disassembly of the clamp parts.

Obtain the required damper spacing from AFL.

Mechanical Suspension (See page 15)

"One end" applications require a damper installed a distance "B" from the center of the suspension clamp at one end of the span. "Both ends" applications require a damper installed a distance "B" from the center of the suspension clamp at each end of the span.

Armor Grip Type Suspension

"One end" applications require two dampers installed at one end of the span. Install the first damper at the end of the rods and the second damper a distance "D" from the first damper. "Both ends" applications require two dampers installed at each end of the span with the first damper installed at the end of the rods and the second damper installed at the specified "D" spacing.

AFL Bolted Deadend (See page 3)

"One end" applications require two dampers at one end of the span with the first damper spaced a distance "D" from the end or mouth of the deadend and the second damper spaced a distance "D" from the first damper attachment point. "Both ends" applications require two dampers at each end of the span with the first damper spaced a distance "D" from the end or mouth of the deadend and the second damper spaced "D" distance from the first damper attachment point.

Formed Wire Deadend (See page 46)

"One end" applications require two dampers at one end of the span with the first damper placed at the end of the armor rods and the second damper spaced a distance "D" from the first damper attachment point. "Both ends" applications require two dampers at each end of the span with the first damper placed at the end of the armor rods and the second damper spaced a distance "D" from the first damper attachment point.

NOTE: For those spans with a deadend at one end and a suspension unit at the other, a damper application required at one end should be applied to the suspension side of the span. Depending on the type of suspension unit, refer to the appropriate damper placement instructions listed previously.

1. Loosen the bolt so that the clamp may be opened sufficiently to permit cable entry into the clamp groove.

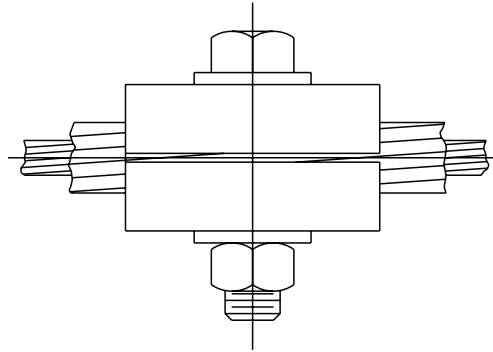
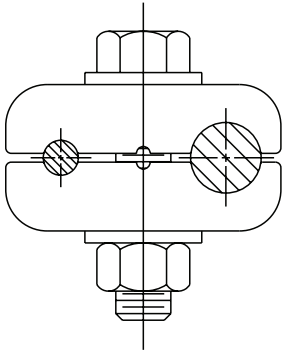
NOTE: The bolt need not be removed.

2. Hang the damper on the OPGW at the proper spacing specified and tighten the bolt finger tight.

3. Tighten the bolt with a suitable wrench until the break-away head shears off.

NOTE: The table to the right provides the typical clamp, bolt diameters, and break-away torque range for the OPGW dampers.

Installation Instructions for OPGW Ground Clamp



1. Clean both run and tap conductors over the length to be clamped with a wire brush to remove oxides.
2. Place connector halves on the conductor, being careful to place the recommended run and tap conductor in the proper clamp groove and to distribute the alnox evenly over the conductor.
3. Bolt bonding P.G. clamp on conductors. Use a backup wrench to restrain the head of the bolt while tightening hardware to avoid bending the fiber optic composite cables. Tighten bolts to the recommended installation torque.
(1/2" Bolt: 20-25 lbf-ft, M14 bolt: 27-34 Nm)
4. Do not remove alnox that squeezes out when clamp is tightened.

CAUTION: In order to avoid damage to the fiber optic composite cables, it is essential that they be clamped only in the recommended grooves and that the bolts be tightened only to the recommended installation torque.

Installation Instructions for OCA Series Comealongs for Optical Ground Wire (OPGW)

General

OPGW Comealongs are stringing tools designed for pulling optical ground wire up to initial sag tensions. If the required tension is greater than the rated tension of a single comealong, two or more comealongs should be used (refer to Installation Instructions). When desired sag tension is reached, the cable should be dead ended promptly and the comealong removed.

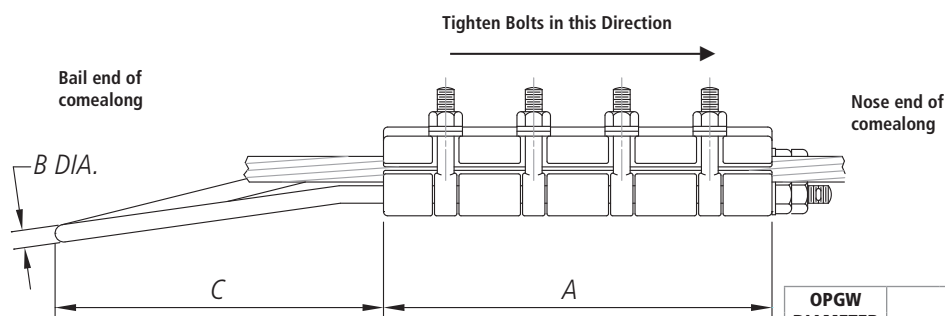
Comealongs must receive periodic maintenance. This practice should consist of a thorough cleaning with close inspection for nicked or rough cable grooves, cracked body, bent eye bolts, or damaged bail. The eyebolts should be kept clean and oiled. The cable groove should be kept clean and dry. After each six months use and at the beginning of each job, all comealongs should be subjected to a pull test equal to its rated strength. If any damage is found, the comealong should be disposed of properly.

Unused Comealongs

- Loosen bolts so that the comealong may be opened sufficiently. Check for cleanliness of bore and permit conductor entry into the conductor groove.
- Position the comealong a minimum of 10 feet from the dead end or joint being installed. This will assist in reducing the potential for birdcaging of the conductor during compression.
- Place the conductor into the conductor groove of the comealong, then close the comealong and finger tighten the bolts.
- Using a torque wrench, tighten bolts in sequence from bail end to nose of the comealong (see diagram below). It will take a minimum of 6 passes to achieve the correct torque on each bolt. On the first pass, tighten the bolts to 80% of the target torque (1/2" bolt - 32 lb ft, 5/8" bolt - 48 lb ft). On each subsequent pass, tighten the bolts to the target torque (1/2" bolt - 40 lb ft, 5/8" bolt - 60 lb ft), ensuring proper clamping force is achieved.

Used Comealongs

- Before each job, thoroughly clean the comealong and closely inspect for nicked or rough conductor grooves, cracked body, bent eye bolts, or damaged bail. If any damage is found, the comealong should be disposed of properly.
- After cleaning, each comealong should be subjected to a pull test equal to the rated strength stamped on the comealong.
- Follow sequence 1 through 4 for Unused Comealongs above.



OPGW DIAMETER RANGE (IN.)	EYEBOLTS		DIMENSIONS						WEIGHT	
	DIA.	NO.	A		B		C		LB.	KG
0-.820	1/2"	4	11	279	.5	13	8	203	9	4.08
.821-1.000	5/8"	4	12.5	318	.62	16	8	203	16	7.26

LOAD RATING: Maximum tension limit is 50% of the rated strength of the OPGW or 5,000 pounds, whichever value is smaller.

WARNING: Comealongs are not intended for use as dead ends and are not recommended to hold conductors at sag tension limits for longer than 6 hours.

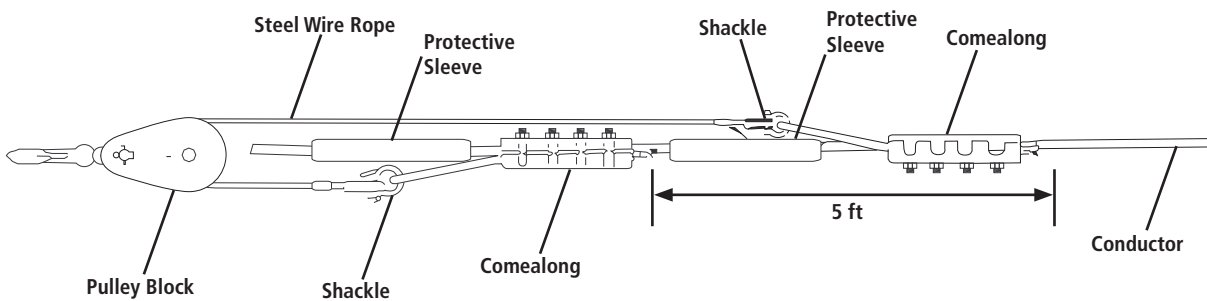
Installation Instructions for OCA Series Comealongs for Optical Ground Wire (OPGW)

Using Comealongs in Tandem

If the installation tension is greater than the rated strength of one comealong, then comealongs must be used in tandem. The comealong bails should be bridled with a sling (consisting of shackles and wire rope) and pulley block to insure equal distribution of the load. To prevent damage to the conductor by the shackles, place protective sleeves over the conductor (per drawing below).

The rated strength of this tandem configuration is 150% of the lowest rated comealong. For example, if one comealong is rated for 8,000 lbs and the other rated for 10,000 lbs, then these two comealongs in tandem will have a rated strength of 12,000 lbs (150% of 8,000 lbs).

For more information on using comealongs in tandem, contact the ACA Technical Support Team at 1.800.866.7385.



LOAD RATING: Maximum tension limit is 50% of the rated strength of the OPGW or 5,000 pounds, whichever value is smaller.

WARNING: Comealongs are not intended for use as dead ends and are not recommended to hold conductors at sag tension limits for longer than 6 hours.



Request for Vibration Information

Originator _____ Date _____
 Utility _____ Tel/Fax _____
 Project Name _____

Submit via email to:
spbacatechnical@AFLglobal.com

Submit via fax to:
864-433-5434

For each ruling or deadend span, provide the following information:

1. OPGW Designation _____
2. Average Annual Minimum Temperature (AAMT) for Line (see www.vibrec.com) _____
3. Average Annual Temperature (AAT) for Line (usually 60°F) _____
4. Terrain or Wind Speed: River/Water Crossing: Marker balls used:

<input type="checkbox"/> Normal: 15 MPH	<input type="checkbox"/> Yes	<input type="checkbox"/> Yes
<input type="checkbox"/> Flat: 20 MPH	<input type="checkbox"/> No	<input type="checkbox"/> No
<input type="checkbox"/> Water Crossing: 25 MPH		

5. Loading Zone:

CHECK ONE	ZONE	ICE (in)	WIND (#/ft ²)	K (#/ft ²)	TEMPERATURE (°F)
<input type="checkbox"/>	NESC Heavy	0.50	4.00	0.30	0
<input type="checkbox"/>	NESC Medium	0.25	4.00	0.20	15
<input type="checkbox"/>	NESC Light	0.00	9.00	0.05	30
<input type="checkbox"/>	Calif. Heavy	0.50	6.00	0.00	0
<input type="checkbox"/>	Calif. Light	0.00	8.00	0.00	25
<input type="checkbox"/>	Other				

6. Guards:

No Guards (None) Line Guards (LG) Armor Rods (AR) Suspension (AGS) Guard length _____
 (if not standard in inches)

7. Spans*:

RULING SPAN (ft)	SINGLE SPAN?	MAX SPAN (ft)	INITIAL TENSION @ AAMT BARE (lbs)	FINAL TENSION @ AAT (lbs)	SPAN LIST (optional) <i>EXAMPLE: 700, 750, 450, 950, ...</i>
	<input type="checkbox"/> Yes <input type="checkbox"/> No				
	<input type="checkbox"/> Yes <input type="checkbox"/> No				
	<input type="checkbox"/> Yes <input type="checkbox"/> No				
	<input type="checkbox"/> Yes <input type="checkbox"/> No				
	<input type="checkbox"/> Yes <input type="checkbox"/> No				
	<input type="checkbox"/> Yes <input type="checkbox"/> No				

*If more spans are needed please attach a spreadsheet with the above information to get damper quantities with the recommendation.

Please contact your AFL Sales Representative for information about our other products or services.

**FIBER OPTIC CABLE
(OPGW, ADSS, Loose Tube)**



**TEST AND INSPECTION
EQUIPMENT**



**FUSION SPLICING
SYSTEMS AND ACCESSORIES**



**FIELD-INSTALLABLE
CONNECTORS**

