



ADESDFW2-256 and 307



ADELD2E-323T and 383T



ADELD2E-424005TE
* shown with optional thimble eye

Mini-Dead Ends

The Mini-Dead Ends are designed for fast and easy installation of your ADSS Mini-Span® cable. The Mini-Dead End is ideal in crowded distribution environments where its shorter length allows for efficient installation. This unique low-cost product is used in typical spans with 1%-2% installation sag.

Features

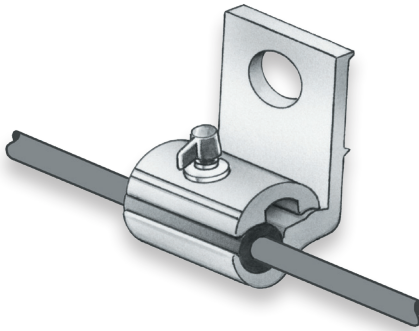
- Easy and quick installation
- No special tools or hardware required for installation
- Small, requiring less storage space

Ordering Information

APPLICATION & DESCRIPTION	AFL NO.
Aerial Drop 256 150 ft NESC heavy, 275 ft NESC medium, 550 ft NESC light	ADESDFW2-256
Aerial Drop 307—Short Span (250 lb max. tension) 65 ft NESC heavy, 115 ft NESC medium, 210 ft NESC light	ADESDFW2-307
Aerial Drop 307—Long Span 220 ft NESC heavy, 400 ft NESC medium, 675 ft NESC light	ADELD2E-013TE
ADSS Mini-Span 323 175 ft NESC heavy, 300 ft NESC medium, 500 ft NESC light	ADELD2E-323T
ADSS Mini-Span 383 180 ft NESC heavy, 300 ft NESC medium, 450 ft NESC light	ADELD2E-383T
ADSS Mini-Span 424 275 ft NESC heavy, 450 ft NESC medium, 600 ft NESC light	ADELD2E-424005

NOTE: Part numbers ADEW10J1-AL535, and ADEW16J1-AL693 attach to structure via common pole hardware sold separately such as thimble eye, ram's head, guy hooks, etc.

For spans greater than the span lengths above, contact Customer Service.



Mini-Bracket

Mini-Bracket

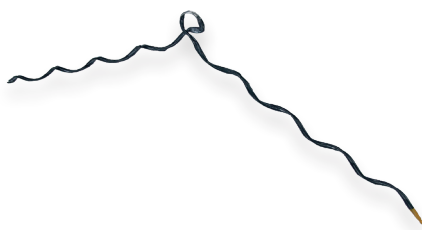
Mini Brackets are used for short and medium spans of ADSS fiber optic cable as well as Aerial Drop cables. Mini Brackets are sized to fit specific ADSS diameters. Standard Mini Brackets are employed with fitted bushings to provide a good support/groove fit and to prevent the support from damaging the cable. The bolted supports are supplied with aluminum captive bolts to simplify installation with no loose parts.

Features

- Maximum one side angle: 8.5 degrees
- Estimated weight: 2.9 lbs. (1.3 Kg)
- Maximum rated strength: 3,000 lbs.
- Hand tighten bolt to 25 in. lbs. (2.8 N-m)
- Slip load at 4 to 6% of RBS

Ordering Information

DESCRIPTION	AFL NO.
Aerial Drop 256 maximum line angle = 17° (150 ft NESC heavy, 275 ft NESC medium, 550 ft NESC light)	AMBB256
Aerial Drop 307 maximum line angle = 17° (220 ft NESC heavy, 400 ft NESC medium, 675 ft NESC light)	AMBB307
ADSS Mini-Span 424 maximum line angle = 17° (275 ft NESC heavy, 450 ft NESC medium, 600 ft NESC light)	AMBB424
ADSS Mini-Span 484 maximum line angle = 17° (275 ft NESC heavy, 400 ft NESC medium, 525 ft NESC light)	AMBB484-535
ADSS Mini-Span 535 maximum line angle = 17° (350 ft NESC heavy, 550 ft NESC medium, 675 ft NESC light)	AMBB484-535



ATS 321/330
ATS 371/383

Mini Formed Wire Tangent Support (FTS)

Formed Wire Tangent Supports (FTS) are used with ADSS Mini-Span® 323 and Mini-Span® 383 for short span applications. Tangent supports provide a method of attaching AFL's smallest ADSS Mini-Span designs with excellent unbalanced load capability and bend relief support. This product is designed to connect directly to J-hooks on wood poles for an economical solution.

Ordering Information

DESCRIPTION	AFL NO.
ADSS Mini-Span 323 maximum line angle = 20°(175 ft NESC heavy, 300 ft NESC medium, 500 ft NESC light)	ATS321/330
ADSS Mini-Span 383 maximum line angle = 20°(180 ft NESC heavy, 300 ft NESC medium, 450 ft NESC light)	ATS371/383