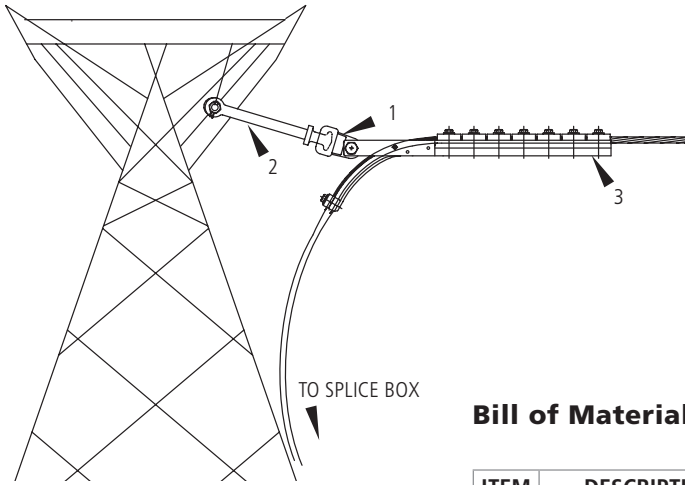


OPGW Single Dead End Lattice Tower Configuration Assemblies



AFL NO.

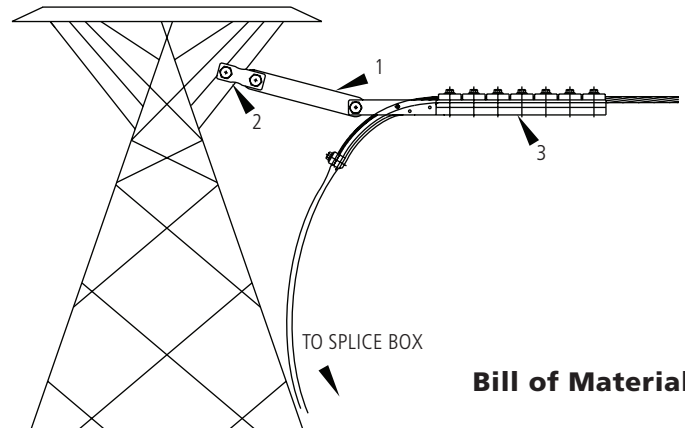
**OLTDE1** — **DNOXXXX**

Assembly Code

Cable Spec. Number

Bill of Material

ITEM	DESCRIPTION	MATERIAL	AFL OR DWG. NO.	REQ'D	REMARKS
1	Socket Eye	Galvanized Steel	SE-BDE	1	
2	Y-Clevis Ball Hot Link	Galvanized Steel	YCBHL	1	Pin Dia. = 0.75" (19 mm)
3	Bolted Dead End (Included)	Aluminum	Determined by AFL	1	



AFL NO.

**OLTDE2** — **DNOXXXX**

Assembly Code

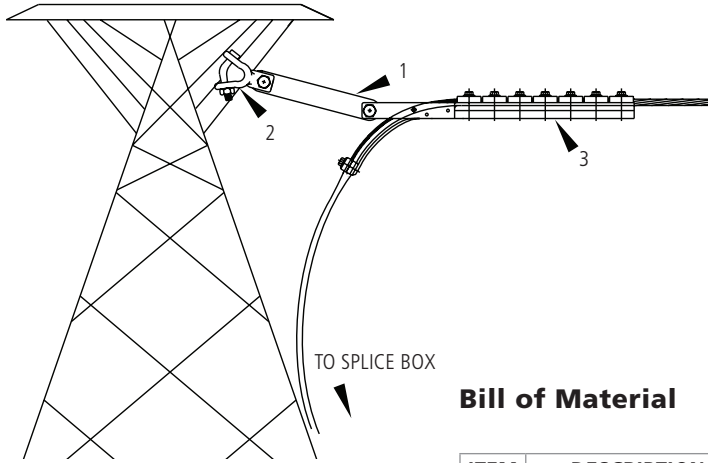
Cable Spec. Number

Bill of Material

ITEM	DESCRIPTION	MATERIAL	AFL OR DWG. NO.	REQ'D	REMARKS
1	Link Plate	Aluminum	ODEL P10	1	
2	Y-Clevis Clevis	Galvanized Steel	YCC	1	Pin Dia. = 0.75" (19 mm)
3	Bolted Dead End (Included)	Aluminum	Determined by AFL	1	

continued  
→

OPGW Single Dead End Lattice Tower Configuration Assemblies (cont.)



AFL NO.

**OLTDE3** — **DNOXXXX**

Assembly Code

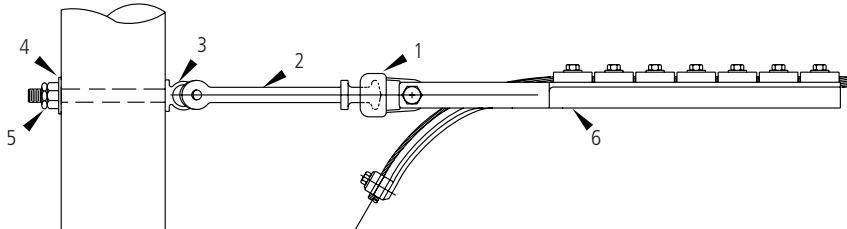
Cable Spec. Number

**Bill of Material**

ITEM	DESCRIPTION	MATERIAL	AFL OR DWG. NO.	REQ'D	REMARKS
1	Link Plate	Aluminum	ODELP10	1	
2	Y-Clevis Clevis 90	Galvanized Steel	YCC-90	1	Pin Dia. = 0.75" (19 mm)
3	Bolted Dead End (Included)	Aluminum	Determined by AFL	1	

## OPGW Single Dead End Wood Pole/H-Frame Configuration Assemblies

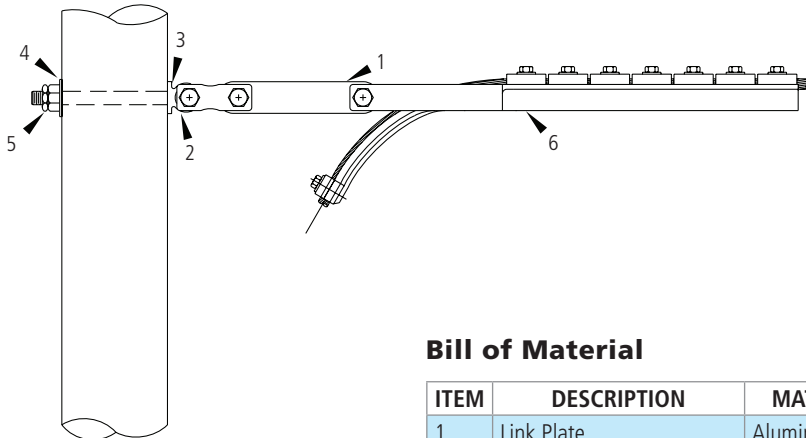
Fiber Optic Cable Hardware


**AFL NO.**

**OWPDE1** - **DNOXXXX**  
 Assembly Code      Cable Spec. Number

### Bill of Material

ITEM	DESCRIPTION	MATERIAL	AFL OR DWG. NO.	REQ'D	REMARKS
1	Socket Eye	Galvanized Steel	SE-BDE	1	
2	Y-Clevis Ball Hot Link	Galvanized Steel	YCBHL	1	Pin Dia. = 0.75" (19 mm)
3	3/4" Shoulder Eye Bolt	Galvanized Steel	SEB-3/4-14	1	Length = 14"
4	3/4" Washer Nut	Galvanized Steel	WN-3/4	1	
5	3/4" MF Lock Nut	Galvanized Steel	LN-3/4	1	
6	Bolted Deadend (Included)	Aluminum	Determined by AFL	1	


**AFL NO.**

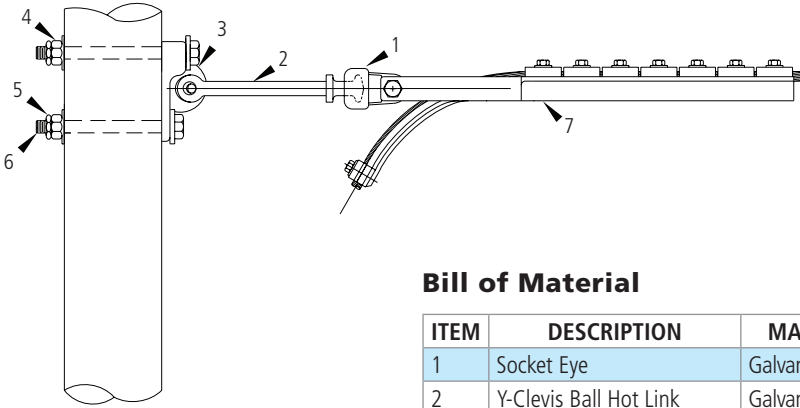
**OWPDE2** - **DNOXXXX**  
 Assembly Code      Cable Spec. Number

### Bill of Material

ITEM	DESCRIPTION	MATERIAL	AFL OR DWG. NO.	REQ'D	REMARKS
1	Link Plate	Aluminum	ODELP10	1	
2	Y-Clevis Clevis	Galvanized Steel	YCC	1	Pin Dia. = 0.75" (19 mm)
3	3/4" Shoulder Eye Bolt	Galvanized Steel	SEB-3/4-14	1	Length = 14"
4	3/4" Washer Nut	Galvanized Steel	WN-3/4	1	
5	3/4" MF Lock Nut	Galvanized Steel	LN-3/4	1	
6	Bolted Deadend (Included)	Aluminum	Determined by AFL	1	

 continued

OPGW Single Dead End Wood Pole/H-Frame Configuration Assemblies (cont.)

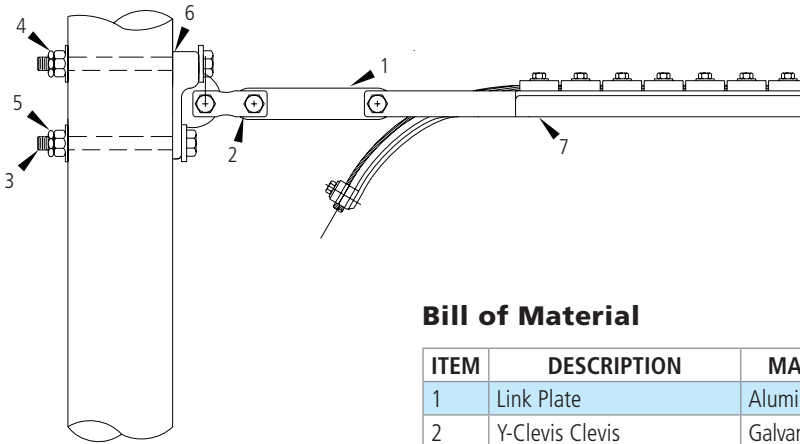


AFL NO.

**OWPDE3** - **DNOXXXX**  
 Assembly Code      Cable Spec. Number

Bill of Material

ITEM	DESCRIPTION	MATERIAL	AFL OR DWG. NO.	REQ'D	REMARKS
1	Socket Eye	Galvanized Steel	SE-BDE	1	
2	Y-Clevis Ball Hot Link	Galvanized Steel	YCBHL	1	Pin Dia. = 0.75" (19 mm)
3	Eye Plate	Galvanized Steel	EP1	1	
4	3/4" Washer Nut	Galvanized Steel	WN-3/4	2	
5	3/4" MF Lock Nut	Galvanized Steel	LN-3/4	2	
6	3/4" MF Through Bolt	Galvanized Steel	TB-3/4-14	2	Length = 14"
7	Bolted Deadend (Included)	Aluminum	Determined by AFL	1	



AFL NO.

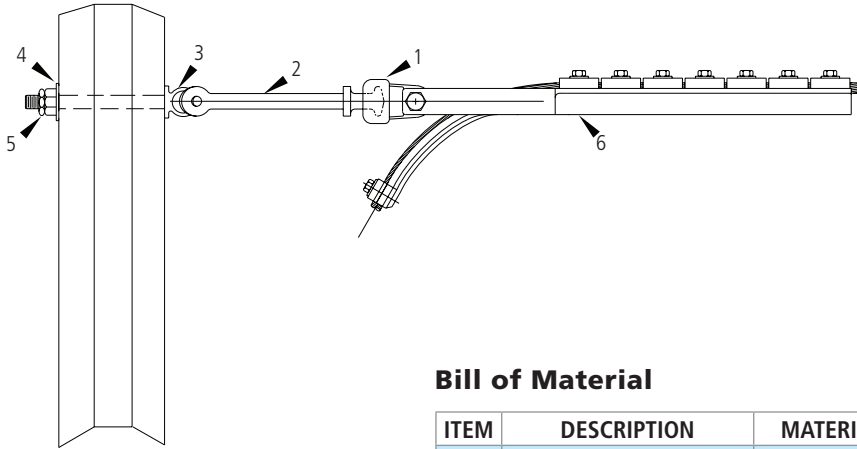
**OWPDE4** - **DNOXXXX**  
 Assembly Code      Cable Spec. Number

Bill of Material

ITEM	DESCRIPTION	MATERIAL	AFL OR DWG. NO.	REQ'D	REMARKS
1	Link Plate	Aluminum	ODELP10	1	
2	Y-Clevis Clevis	Galvanized Steel	YCC	1	Pin Dia. = 0.75" (19 mm)
3	3/4" MF Through Bolt	Galvanized Steel	TB-3/4-14	2	Length = 14"
4	3/4" Washer Nut	Galvanized Steel	WN-3/4	2	
5	3/4" MF Lock Nut	Galvanized Steel	LN-3/4	2	
6	Eye Plate	Galvanized Steel	EP1	1	
7	Bolted Deadend (Included)	Aluminum	Determined by AFL	1	

OPGW Single Dead End Steel Pole/Drilled Configuration Assemblies

Fiber Optic Cable Hardware

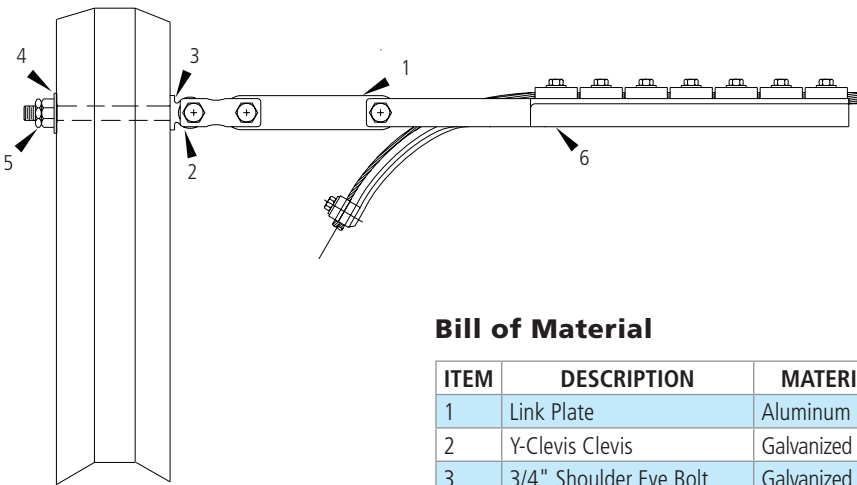


AFL NO.

**OSPDE1** - **DNOXXXX**  
 Assembly Code      Cable Spec. Number

**Bill of Material**

ITEM	DESCRIPTION	MATERIAL	AFL OR DWG. NO.	REQ'D	REMARKS
1	Socket Eye	Galvanized Steel	SE-BDE	1	
2	Y-Clevis Ball Hot Link	Galvanized Steel	YCBHL	1	Pin Dia. = 0.75" (19 mm)
3	3/4" Shoulder Eye Bolt	Galvanized Steel	SEB-3/4-14	1	Length = 14"
4	3/4" Washer Nut	Galvanized Steel	WN-3/4	1	
5	3/4" MF Lock Nut	Galvanized Steel	LN-3/4	1	
6	Bolted Deadend (Included)	Aluminum	Determined by AFL	1	



AFL NO.

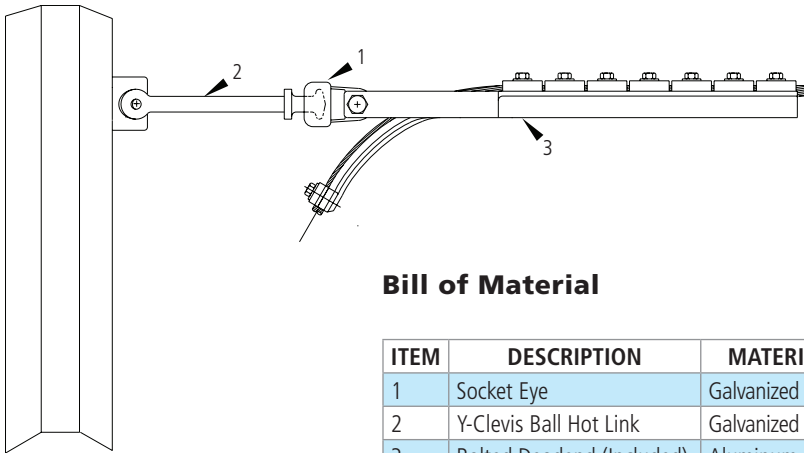
**OSPDE2** - **DNOXXXX**  
 Assembly Code      Cable Spec. Number

**Bill of Material**

ITEM	DESCRIPTION	MATERIAL	AFL OR DWG. NO.	REQ'D	REMARKS
1	Link Plate	Aluminum	ODELP10	1	
2	Y-Clevis Clevis	Galvanized Steel	YCC	1	Pin Dia. = 0.75" (19 mm)
3	3/4" Shoulder Eye Bolt	Galvanized Steel	SEB-3/4-14	1	Length = 14"
4	3/4" Washer Nut	Galvanized Steel	WN-3/4	1	
5	3/4" MF Lock Nut	Galvanized Steel	LN-3/4	1	
6	Bolted Deadend (Included)	Aluminum	Determined by AFL	1	

continued  


OPGW Single Dead End Steel Pole/Vang Configuration Assemblies

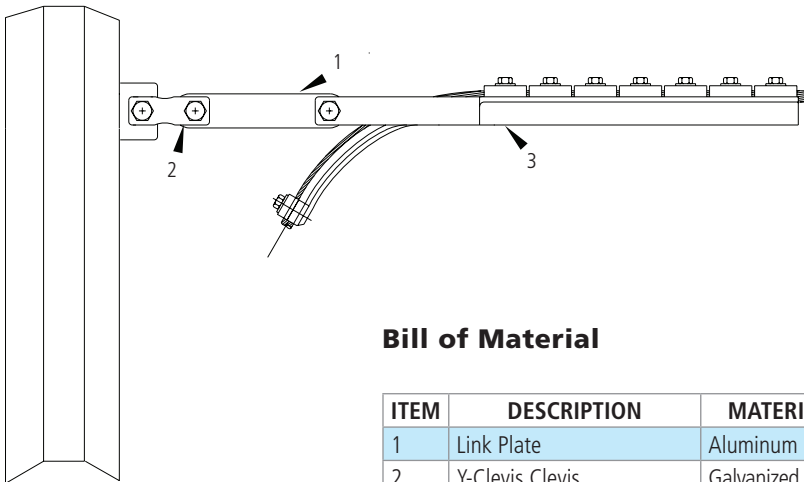


**AFL NO.**

**OSPDE3** - **DNOXXXX**  
 Assembly Code      Cable Spec. Number

**Bill of Material**

ITEM	DESCRIPTION	MATERIAL	AFL OR DWG. NO.	REQ'D	REMARKS
1	Socket Eye	Galvanized Steel	SE-BDE	1	
2	Y-Clevis Ball Hot Link	Galvanized Steel	YCBHL	1	Pin Dia. = 0.75" (19 mm)
3	Bolted Deadend (Included)	Aluminum	Determined by AFL	1	



**AFL NO.**

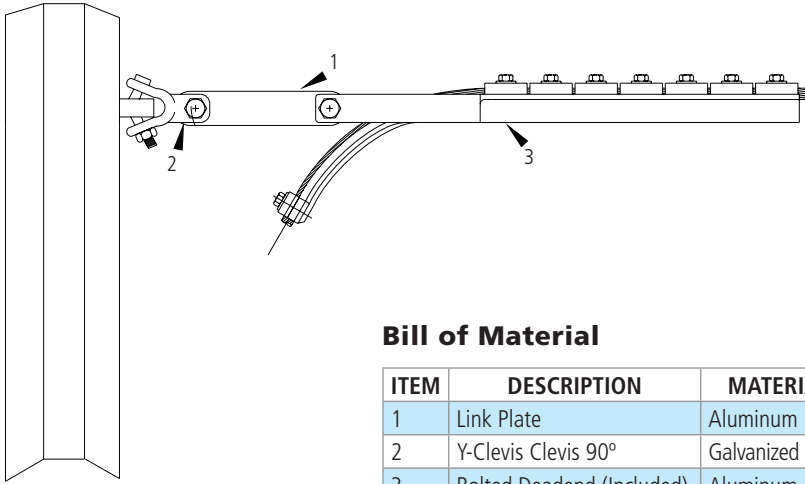
**OSPDE4** - **DNOXXXX**  
 Assembly Code      Cable Spec. Number

**Bill of Material**

ITEM	DESCRIPTION	MATERIAL	AFL OR DWG. NO.	REQ'D	REMARKS
1	Link Plate	Aluminum	ODELP10	1	
2	Y-Clevis Clevis	Galvanized Steel	YCC	1	Pin Dia. = 0.75" (19 mm)
3	Bolted Deadend (Included)	Aluminum	Determined by AFL	1	

*continued*

OPGW Single Dead End Steel Pole/Vang Configuration Assemblies (cont.)



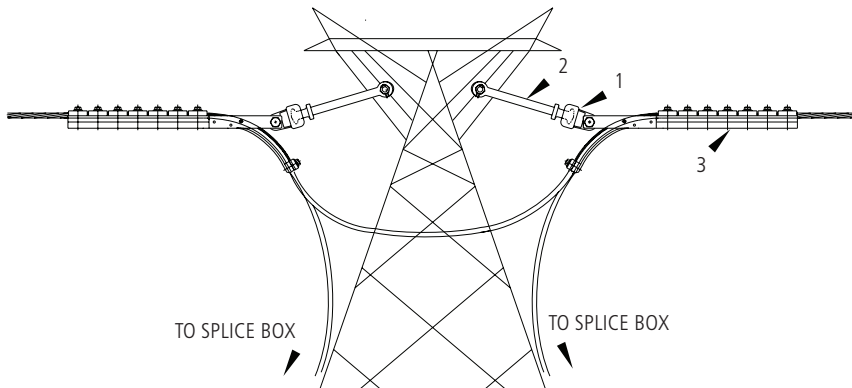
AFL NO.

**OSPDES** - **DNOXXXX**  
 Assembly Code      Cable Spec. Number

**Bill of Material**

ITEM	DESCRIPTION	MATERIAL	AFL OR DWG. NO.	REQ'D	REMARKS
1	Link Plate	Aluminum	ODELP10	1	
2	Y-Clevis Clevis 90°	Galvanized Steel	YCC-90	1	Pin Dia. = 0.75" (19 mm)
3	Bolted Deadend (Included)	Aluminum	Determined by AFL	1	

OPGW Double Dead End Lattice Tower Configuration Assemblies



AFL NO.

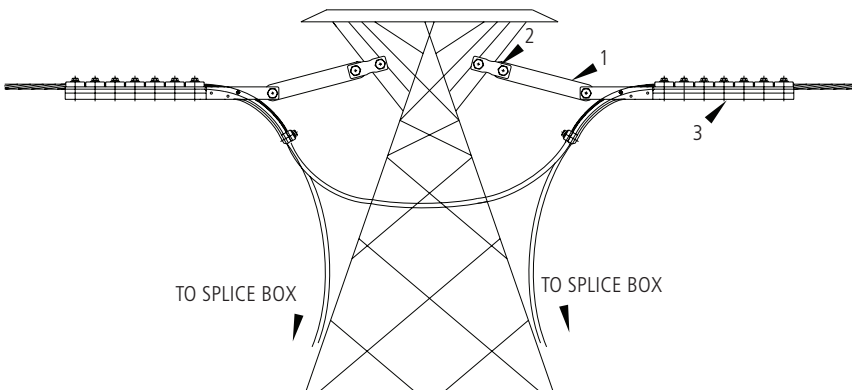
**OLTDD1** — **DNOXXXX**

Assembly Code

Cable Spec. Number

Bill of Material

ITEM	DESCRIPTION	MATERIAL	AFL OR DWG. NO.	REQ'D	REMARKS
1	Socket Eye	Galvanized Steel	SE-BDE	2	
2	Y-Clevis Ball Hot Link	Galvanized Steel	YCBHL	2	Pin Dia. = 0.75" (19 mm)
3	Bolted Dead End (Included)	Aluminum	Determined by AFL	2	



AFL NO.

**OLTDD2** — **DNOXXXX**

Assembly Code

Cable Spec. Number

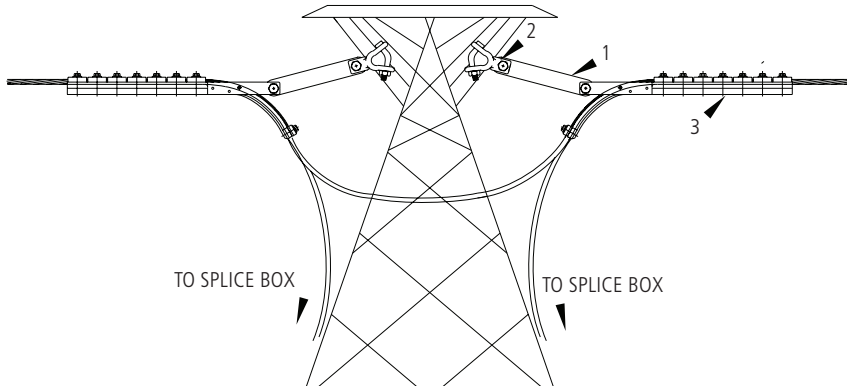
Bill of Material

ITEM	DESCRIPTION	MATERIAL	AFL OR DWG. NO.	REQ'D	REMARKS
1	Link Plate	Aluminum	ODELP10	2	
2	Y-Clevis Clevis	Galvanized Steel	YCC	2	Pin Dia. = 0.75" (19 mm)
3	Bolted Dead End (Included)	Aluminum	Determined by AFL	2	

continued  
→



OPGW Double Dead End Lattice Tower Configuration Assemblies (cont.)



AFL NO.

OLTDD3

Assembly Code

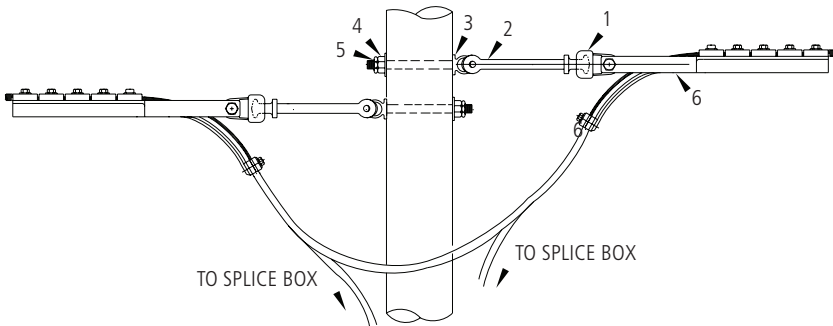
DNOXXXX

Cable Spec. Number

Bill of Material

ITEM	DESCRIPTION	MATERIAL	AFL OR DWG. NO.	REQ'D	REMARKS
1	Link Plate	Aluminum	ODELP10	2	
2	Y-Clevis Clevis 90	Galvanized Steel	YCC-90	2	Pin Dia. = 0.75" (19 mm)
3	Bolted Dead End (Included)	Aluminum	Determined by AFL	2	

## OPGW Double Dead End Wood Pole/H-Frame Configuration Assemblies

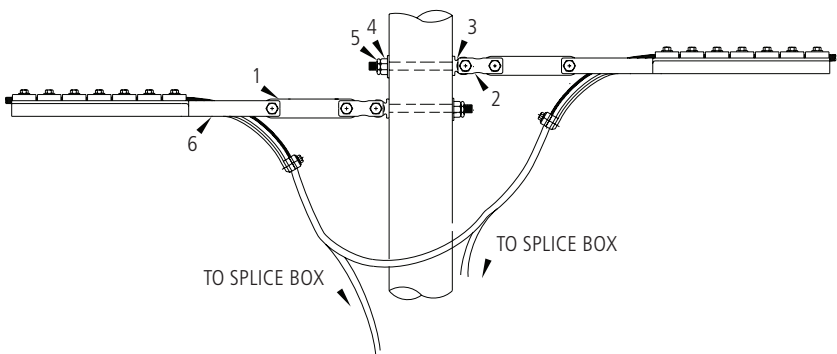


**AFL NO.**

**OWPDD1** - **DNOXXXX**  
 Assembly Code - Cable Spec. Number

### Bill of Material

ITEM	DESCRIPTION	MATERIAL	AFL OR DWG. NO.	REQ'D	REMARKS
1	Socket Eye	Galvanized Steel	SE-BDE	2	
2	Y-Clevis Ball Hot Link	Galvanized Steel	YCBHL	2	Pin Dia. = 0.75" (19 mm)
3	3/4" Shoulder Eye Bolt	Galvanized Steel	SEB-3/4-14	2	Length = 14"
4	3/4" Washer Nut	Galvanized Steel	WN-3/4	2	
5	3/4" MF Lock Nut	Galvanized Steel	LN-3/4	2	
6	Bolted Deadend (Included)	Aluminum	Determined by AFL	2	



**AFL NO.**

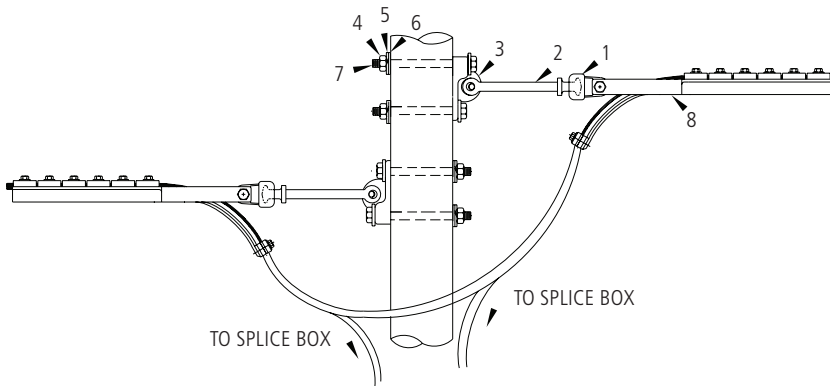
**OWPDD2** - **DNOXXXX**  
 Assembly Code - Cable Spec. Number

### Bill of Material

ITEM	DESCRIPTION	MATERIAL	AFL OR DWG. NO.	REQ'D	REMARKS
1	Link Plate	Aluminum	ODELP10	2	
2	Y-Clevis Clevis	Galvanized Steel	YCC	2	Pin Dia. = 0.75" (19 mm)
3	3/4" Shoulder Eye Bolt	Galvanized Steel	SEB-3/4-14	2	
4	3/4" Washer Nut	Galvanized Steel	WN-3/4	2	
5	3/4" MF Lock Nut	Galvanized Steel	LN-3/4	2	
6	Bolted Deadend (Included)	Aluminum	Determined by AFL	2	

continued

## OPGW Double Dead End Wood Pole/H-Frame Configuration Assemblies (cont.)

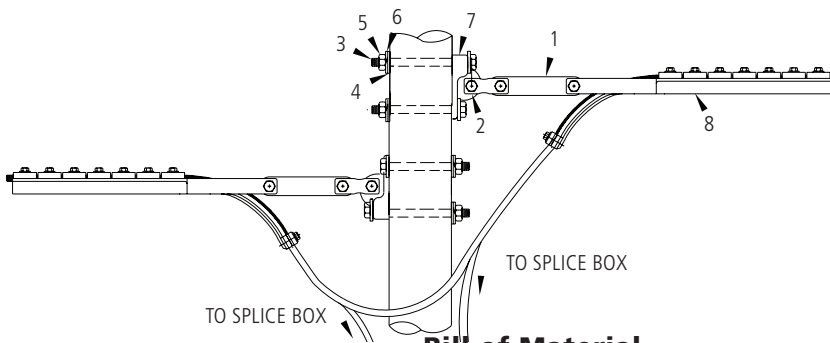


**AFL NO.**

**OWPDD3** - **DNOXXXX**  
 Assembly Code      Cable Spec. Number

### Bill of Material

ITEM	DESCRIPTION	MATERIAL	AFL OR DWG. NO.	REQ'D	REMARKS
1	Socket Eye	Galvanized Steel	SE-BDE	2	
2	Y-Clevis Ball Hot Link	Galvanized Steel	YCBHL	2	Pin Dia. = 0.75" (19 mm)
3	Eye Plate	Galvanized Steel	EP1	2	
4	3/4" Lock Washer Nut	Galvanized Steel	LW-3/4	4	
5	3/4" Nut	Galvanized Steel	HN-3/4	4	
6	3/4" Flat Washer	Galvanized Steel	FW -3/4	4	
7	3/4" Through Bolt	Galvanized Steel	TB-3/4-14	4	Length = 14"
8	Bolted Deadend (Included)	Aluminum	Determined by AFL	2	



**AFL NO.**

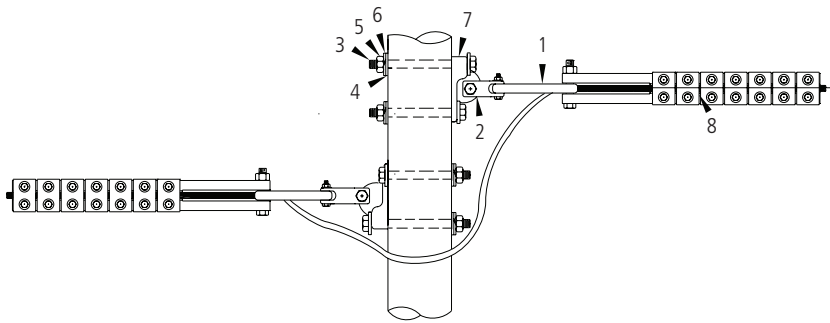
**OWPDD4** - **DNOXXXX**  
 Assembly Code      Cable Spec. Number

### Bill of Material

ITEM	DESCRIPTION	MATERIAL	AFL OR DWG. NO.	REQ'D	REMARKS
1	Link Plate	Aluminum	ODELP10	2	
2	Y-Clevis Clevis	Galvanized Steel	YCC	2	Pin Dia. = 0.75" (19 mm)
3	3/4" Through Bolt	Galvanized Steel	TB-3/4-14	4	Length = 14"
4	3/4" Flat Washer	Galvanized Steel	FN-3/4	4	
5	3/4" Nut	Galvanized Steel	HN-3/4	4	
6	3/4" Lock Washer	Galvanized Steel	LW-3/4	4	
7	Eye Plate	Galvanized Steel	EP1	2	
8	Bolted Deadend (Included)	Aluminum	Determined by AFL	2	

*continued* →

OPGW Double Dead End Wood Pole/H-Frame Configuration Assemblies (cont.)



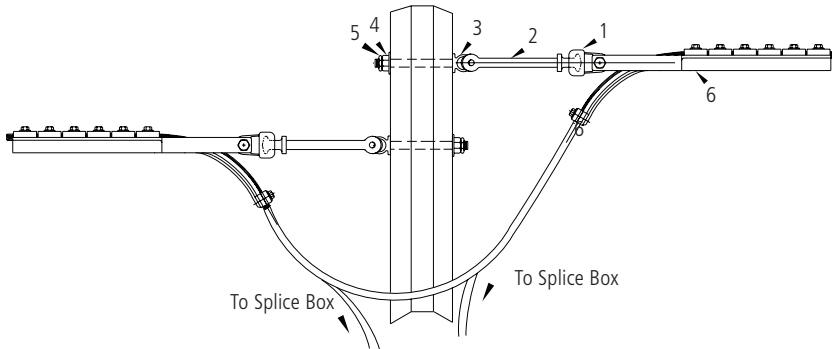
AFL NO.

**OWPDD5** - **DNOXXXX**  
 Assembly Code      Cable Spec. Number

Bill of Material

ITEM	DESCRIPTION	MATERIAL	AFL OR DWG. NO.	REQ'D	REMARKS
1	Link Plate	Aluminum	ODEL10	2	
2	Y-Clevis Clevis 90°	Galvanized Steel	YCC-90	2	Pin Dia. = 0.75" (19 mm)
3	3/4" Through Bolt	Galvanized Steel	TB-3/4-14	4	Length = 14"
4	3/4" Flat Washer	Galvanized Steel	FN-3/4	4	
5	3/4" Nut	Galvanized Steel	HN-3/4	4	
6	3/4" Lock Washer	Galvanized Steel	LW-3/4	4	
7	Eye Plate	Galvanized Steel	EP1	2	
8	Bolted Deadend (Included)	Aluminum	Determined by AFL	2	

OPGW Double Dead End Steel Pole/Drilled Configuration Assemblies

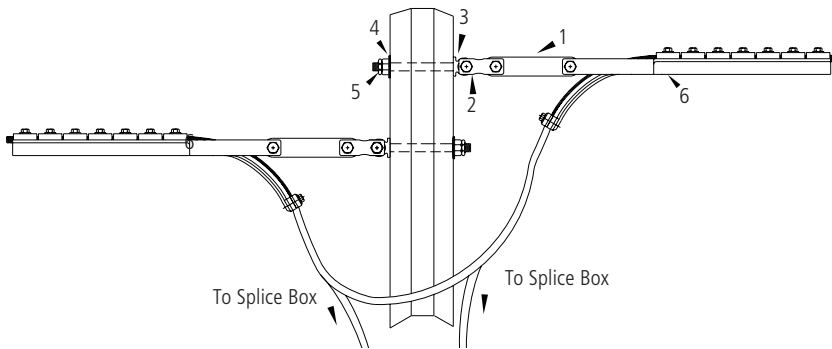


AFL NO.

**OSPDD1** - **DNOXXXX**  
 Assembly Code      Cable Spec. Number

Bill of Material

ITEM	DESCRIPTION	MATERIAL	AFL OR DWG. NO.	REQ'D	REMARKS
1	Socket Eye	Galvanized Steel	SE-BDE	2	
2	Y-Clevis Ball Hot Link	Galvanized Steel	YCBHL	2	Pin Dia. = 0.75" (19 mm)
3	3/4" Shoulder Eye Bolt	Galvanized Steel	SEB-3/4-14	2	
4	3/4" Washer Nut	Galvanized Steel	WN-3/4	2	
5	3/4" MF Lock Nut	Galvanized Steel	LN-3/4	2	
6	Bolted Deadend (Included)	Aluminum	Determined by AFL	2	



AFL NO.

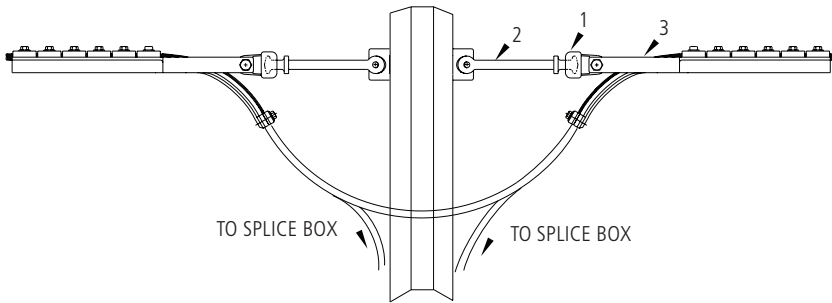
**OSPDD2** - **DNOXXXX**  
 Assembly Code      Cable Spec. Number

Bill of Material

ITEM	DESCRIPTION	MATERIAL	AFL OR DWG. NO.	REQ'D	REMARKS
1	Link Plate	Aluminum	ODELP10	2	
2	Y-Clevis Clevis	Galvanized Steel	YCC	2	Pin Dia. = 0.75" (19 mm)
3	3/4" Shoulder Eye Bolt	Galvanized Steel	SEB-3/4-14	2	
4	3/4" Washer Nut	Galvanized Steel	WN-3/4	2	
5	3/4" MF Lock Nut	Galvanized Steel	LN-3/4	2	
6	Bolted Deadend (Included)	Aluminum	Determined by AFL	2	

continued

OPGW Double Dead End Steel Pole/Vang Configuration Assemblies

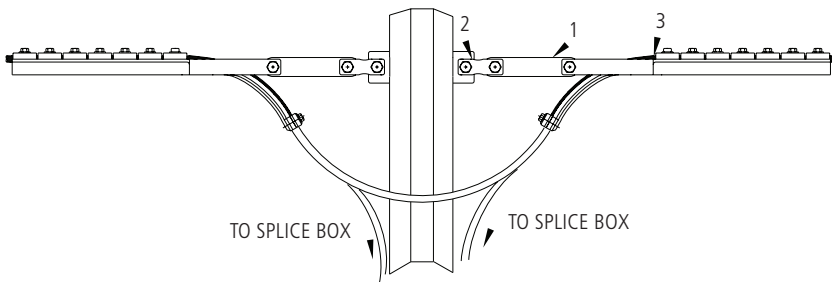


AFL NO.

**OSPDD3** - **DNOXXXX**  
 Assembly Code      Cable Spec. Number

Bill of Material

ITEM	DESCRIPTION	MATERIAL	AFL OR DWG. NO.	REQ'D	REMARKS
1	Socket Eye	Galvanized Steel	SE-BDE	2	
2	Y-Clevis Ball Hot Link	Galvanized Steel	YCBHL	2	Pin Dia. = 0.75" (19 mm)
3	Bolted Deadend (Included)	Aluminum	Determined by AFL	2	



AFL NO.

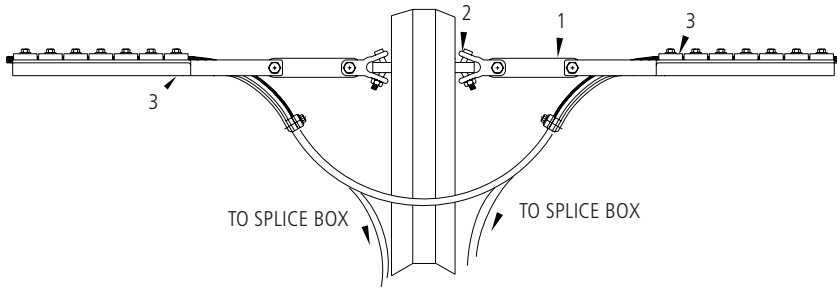
**OSPDD4** - **DNOXXXX**  
 Assembly Code      Cable Spec. Number

Bill of Material

ITEM	DESCRIPTION	MATERIAL	AFL OR DWG. NO.	REQ'D	REMARKS
1	Link Plate	Aluminum	ODELP10	2	
2	Y-Clevis Clevis	Galvanized Steel	YCC	2	Pin Dia. = 0.75" (19 mm)
3	Bolted Deadend (Included)	Aluminum	Determined by AFL	2	

continued  


OPGW Double Dead End Steel Pole/Vang Configuration Assemblies (cont.)



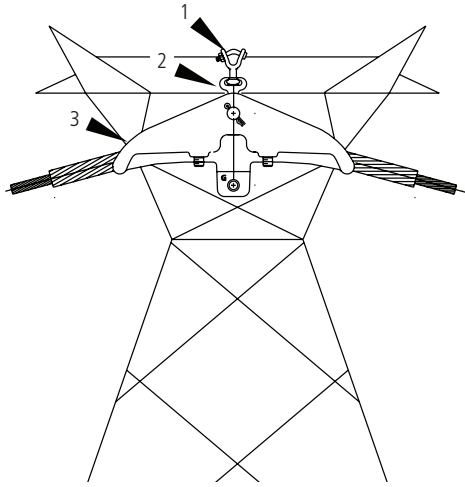
AFL NO.

OSPDD5 - DNOXXXX  
 Assembly Code Cable Spec. Number

Bill of Material

ITEM	DESCRIPTION	MATERIAL	AFL OR DWG. NO.	REQ'D	REMARKS
1	Link Plate	Aluminum	ODELP10	2	
2	Y-Clevis Clevis 90°	Galvanized Steel	YCC-90	2	Pin Dia. = 0.75" (19 mm)
3	Bolted Deadend (Included)	Aluminum	Determined by AFL	2	

OPGW Single Suspension Lattice Tower Configuration Assemblies



AFL NO.

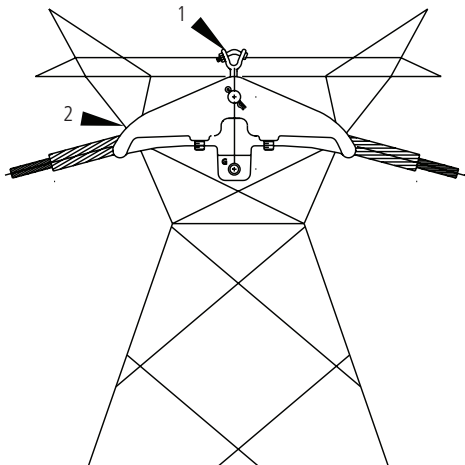
OLTSP1 - XXX/XXX

Assembly Code

SUME Range Code

Bill of Material

ITEM	DESCRIPTION	MATERIAL	AFL OR DWG. NO.	REQ'D	REMARKS
1	Y-Clevis Ball	Galvanized Steel	YCBS	1	Pin Dia. = 0.75" (19 mm)
2	Socket Eye	Galvanized Steel	SE-SC	1	
3	Suspension Clamp Assembly (Included)	Aluminum	SUME XXX/XXX	1	



AFL NO.

OLTSP2 - XXX/XXX

Assembly Code

SUME Range Code

Bill of Material

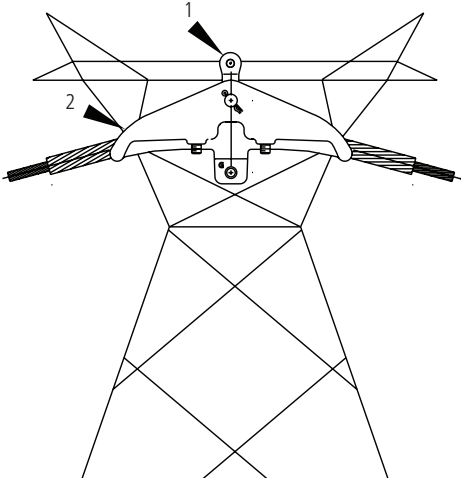
ITEM	DESCRIPTION	MATERIAL	AFL OR DWG. NO.	REQ'D	REMARKS
1	Y-Clevis Eye 90°	Galvanized Steel	YC90E-750-1750	1	Pin Dia. = 0.75" (19 mm)
2	Suspension Clamp Assembly (Included)	Aluminum	SUME XXX/XXX	1	

continued  
→



OPGW Single Suspension Lattice Tower Configuration Assemblies (cont.)

Fiber Optic Cable Hardware



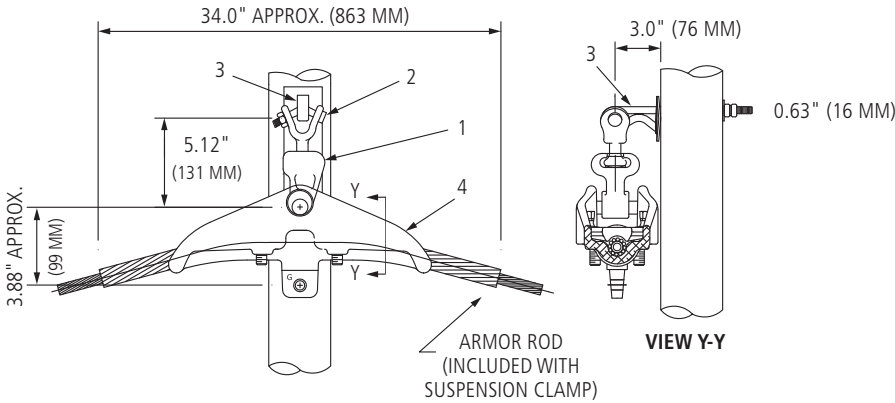
AFL NO.

**OLTSP3** — **XXX/XXX**  
 Assembly Code                      SUME Range Code

**Bill of Material**

ITEM	DESCRIPTION	MATERIAL	AFL OR DWG. NO.	REQ'D	REMARKS
1	Y-Clevis Eye	Galvanized Steel	YCE-690-1125	1	Pin Dia. = 0.75" (19 mm)
2	Suspension Clamp Assembly (Included)	Aluminum	SUME XXX/XXX	1	

OPGW Single Suspension Wood Pole/H-Frame Configuration Assemblies

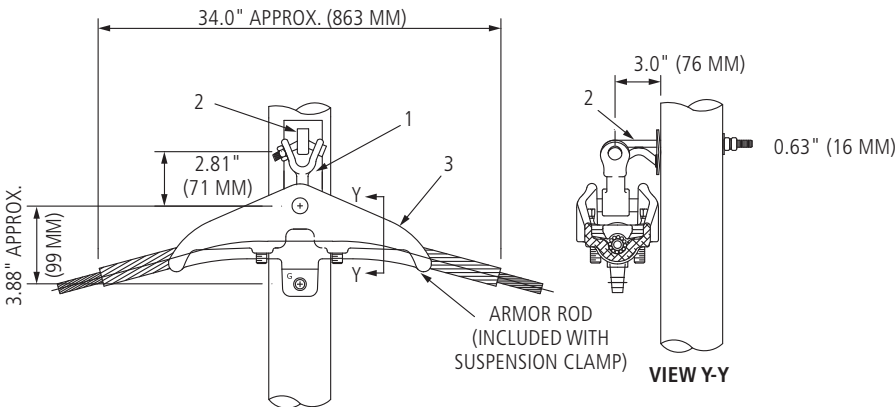


AFL NO.

**OWPSP1** - **XXX/XXX**  
 Assembly Code      SUME Range Code

Bill of Material

ITEM	DESCRIPTION	MATERIAL	AFL OR DWG. NO.	REQ'D	REMARKS
1	Socket Eye	Galvanized Steel	SE-SC	1	
2	Y-Clevis Ball	Galvanized Steel	YCBS	1	Pin Dia. = 0.75" (19 mm)
3	Shield Wire Support Bracket	Galvanized Steel	SFOSB-WP-14	1	14" Bolt, 0.63" (16 mm) Dia.
4	Suspension Clamp Assembly (included)	Aluminum	SUME XXX/XXX	1	



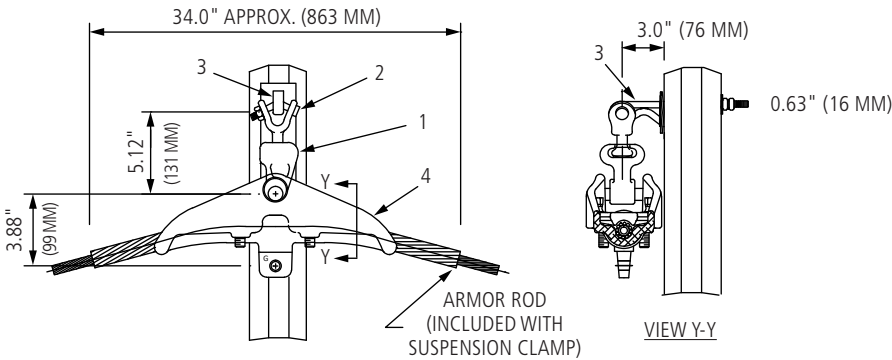
AFL NO.

**OWPSP2** - **XXX/XXX**  
 Assembly Code      SUME Range Code

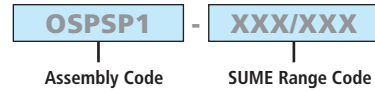
Bill of Material

ITEM	DESCRIPTION	MATERIAL	AFL OR DWG. NO.	REQ'D	REMARKS
1	Y-Clevis Eye 90°	Galvanized Steel	YC90E-750-1750	1	Pin Dia. = 0.75" (19 mm)
2	Shield Wire Support Bracket	Galvanized Steel	SFOSB-WP-14	1	14" Bolt, 0.63" (16 mm) Dia.
3	Susp. Damp Assembly (included)	Aluminum	SUME XXX/XXX	1	

## OPGW Single Suspension Steel Pole/Drilled Configuration Assembly



**AFL NO.**

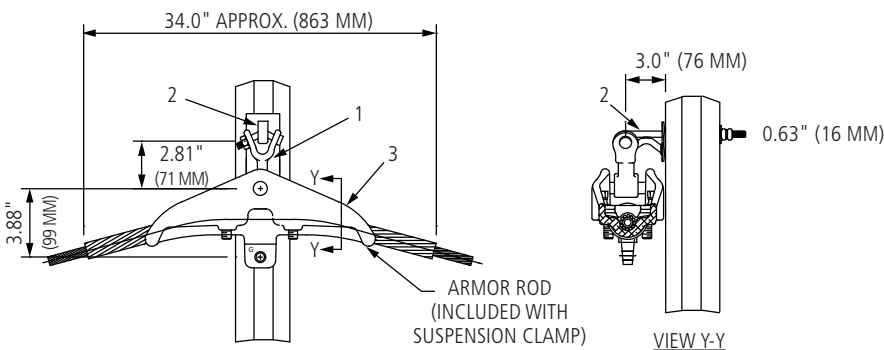


Assembly Code

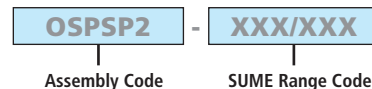
SUME Range Code

### Bill of Material

ITEM	DESCRIPTION	MATERIAL	AFL OR DWG. NO.	REQ'D	REMARKS
1	Socket Eye	Galvanized Steel	SE-SC	1	
2	Y-Clevis Ball	Galvanized Steel	YCBS	1	Pin Dia. = 0.75" (19 mm)
3	Shield Wire Support Bracket	Galvanized Steel	SFOSB-WP-14	1	14" Bolt, 0.63" (16 mm) Dia.
4	Suspension Clamp Assembly (Included)	Aluminum	SUME XXX/XXX	1	



**AFL NO.**



Assembly Code

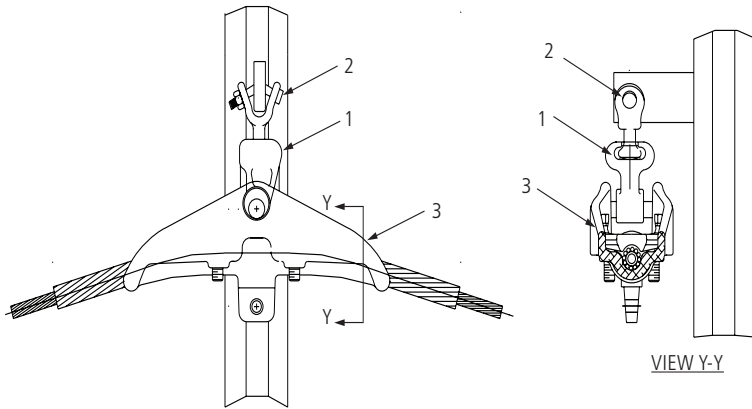
SUME Range Code

### Bill of Material

ITEM	DESCRIPTION	MATERIAL	AFL OR DWG. NO.	REQ'D	REMARKS
1	Y-Clevis Eye 90°	Galvanized Steel	YC90E-750-1750	1	Pin Dia. = 0.75" (19 mm)
2	Shield Wire Support Bracket	Galvanized Steel	SFOSB-WP-14	1	14" Bolt, 0.63" (16 mm) Dia.
3	Suspension Clamp Assembly (Included)	Aluminum	SUME XXX/XXX	1	

continued

OPGW Single Suspension Steel Pole/Vang Configuration Assemblies

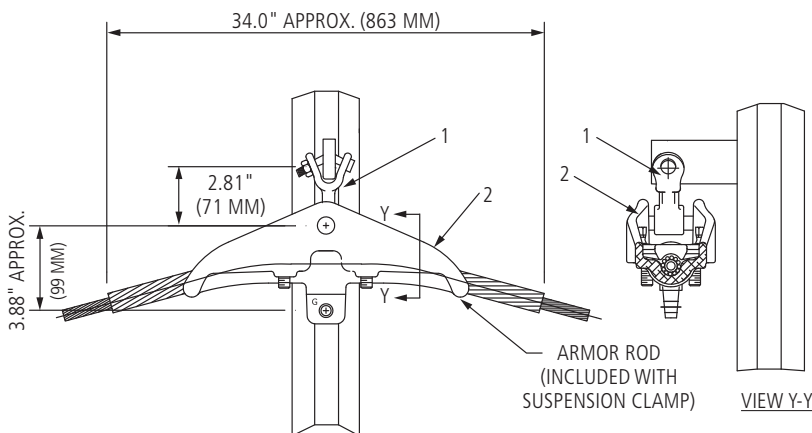


AFL NO.

**OSPSP3** - **XXX/XXX**  
 Assembly Code      SUME Range Code

Bill of Material

ITEM	DESCRIPTION	MATERIAL	AFL OR DWG. NO.	REQ'D	REMARKS
1	Socket Eye	Galvanized Steel	SE-SC	1	
2	Y-Clevis Ball	Galvanized Steel	YCBS	1	Pin Dia. = 0.75" (19 mm)
3	Suspension Clamp Assembly (Included)	Aluminum	SUME XXX/XXX	1	



AFL NO.

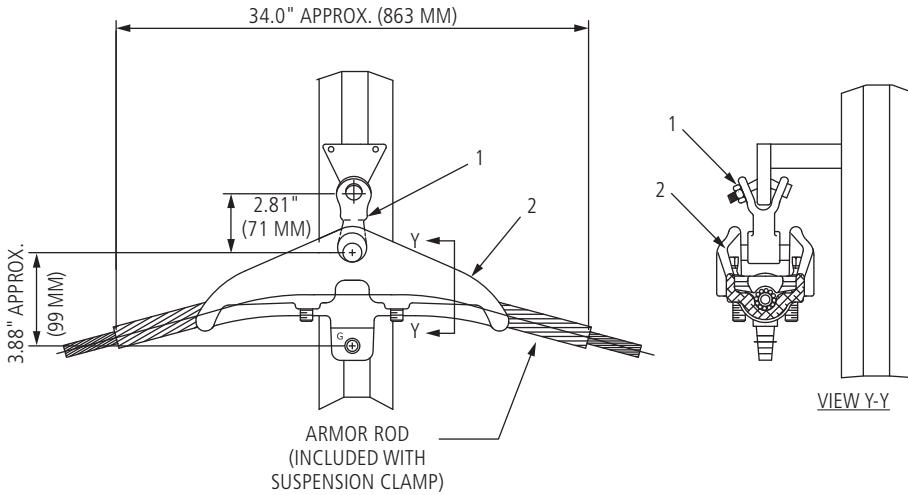
**OSPSP4** - **XXX/XXX**  
 Assembly Code      SUME Range Code

Bill of Material

ITEM	DESCRIPTION	MATERIAL	AFL OR DWG. NO.	REQ'D	REMARKS
1	Y-Clevis Eye 90°	Galvanized Steel	YC90E-750-1750	1	Pin Dia. = 0.75" (19 mm)
2	Suspension Clamp Assembly (Included)	Aluminum	SUME XXX/XXX	1	

continued

OPGW Single Suspension Steel Pole/Vang Configuration Assemblies (cont.)

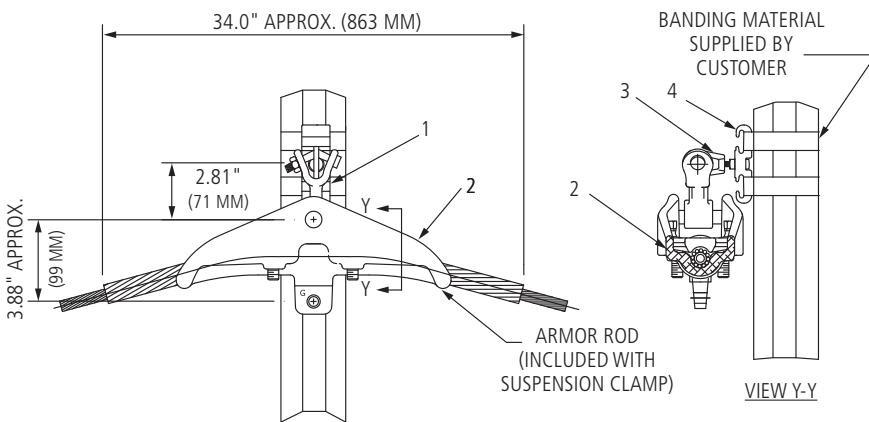


AFL NO.

**OSPSP5** - **XXX/XXX**  
 Assembly Code      SUME Range Code

Bill of Material

ITEM	DESCRIPTION	MATERIAL	AFL OR DWG. NO.	REQ'D	REMARKS
1	Y-Clevis Eye	Galvanized Steel	YCS-11	1	Pin Dia. = 0.75" (19 mm)
2	Suspension Clamp Assembly (Included)	Aluminum	SUME XXX/XXX	1	



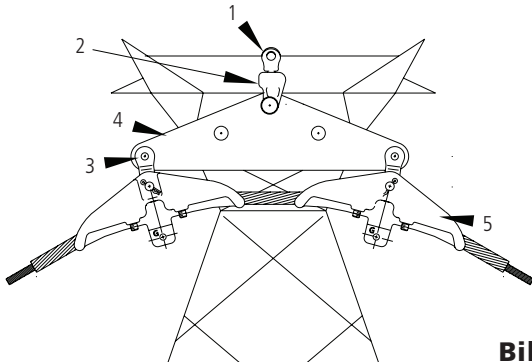
AFL NO.

**OSPSP6** - **XXX/XXX**  
 Assembly Code      SUME Range Code

Bill of Material

ITEM	DESCRIPTION	MATERIAL	AFL OR DWG. NO.	REQ'D	REMARKS
1	Y-Clevis Eye 90°	Galvanized Steel	YC90E-750-1750	1	Pin Dia. = 0.75" (19mm)
2	Suspension Clamp Assembly (Included)	Aluminum	SUME XXX/XXX	1	
3	Eye Bolt	Galvanized Steel			
4	Banding Adaptor	Aluminum			

## OPGW Double Suspension Lattice Tower Configuration Assemblies



**AFL NO.**

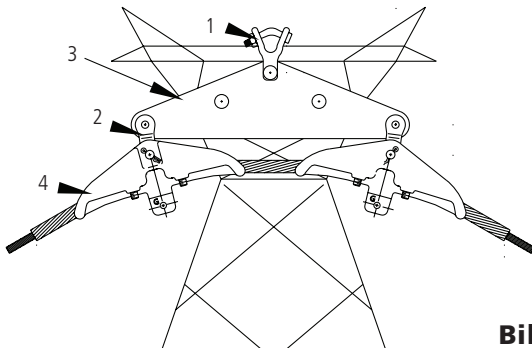
**OLTSS1** — **XXX/XXX**

Assembly Code

SUME Range Code

### Bill of Material

ITEM	DESCRIPTION	MATERIAL	AFL OR DWG. NO.	REQ'D	REMARKS
1	Y-Clevis Ball	Galvanized Steel	YCBS	1	Pin Dia. = 0.75" (19 mm)
2	Socket Clevis	Galvanized Steel	SC-YP	1	
3	Clevis Eye	Galvanized Steel	CE-SC	2	
4	Yoke Plate	Galvanized Steel	SUMEYP	1	
5	Double Suspension (included)	Aluminum	ODSME XXX/XXX	1	



**AFL NO.**

**OLTSS2** — **XXX/XXX**

Assembly Code

SUME Range Code

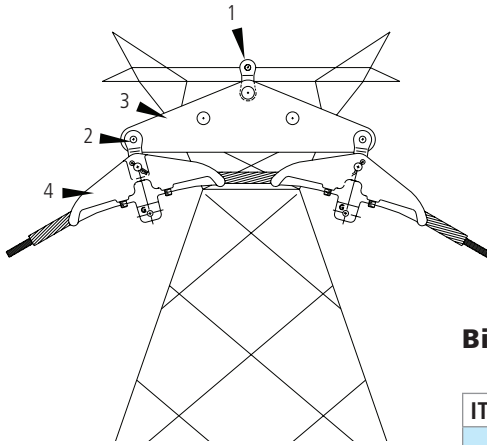
### Bill of Material

ITEM	DESCRIPTION	MATERIAL	AFL OR DWG. NO.	REQ'D	REMARKS
1	Y-Clevis Clevis 90°	Galvanized Steel	YCC-90	1	Pin Dia. = 0.75" (19 mm)
2	Clevis Eye	Alum./Gal. Steel	CE-SC	2	
3	Yoke Plate	Alum./Gal. Steel	SUMEYP	1	
4	Double Suspension (included)	Alum./Gal. Steel	ODSME XXX/XXX	1	

continued  
→

OPGW Double Suspension Lattice Tower Configuration Assemblies (cont.)

Fiber Optic Cable Hardware



AFL NO.

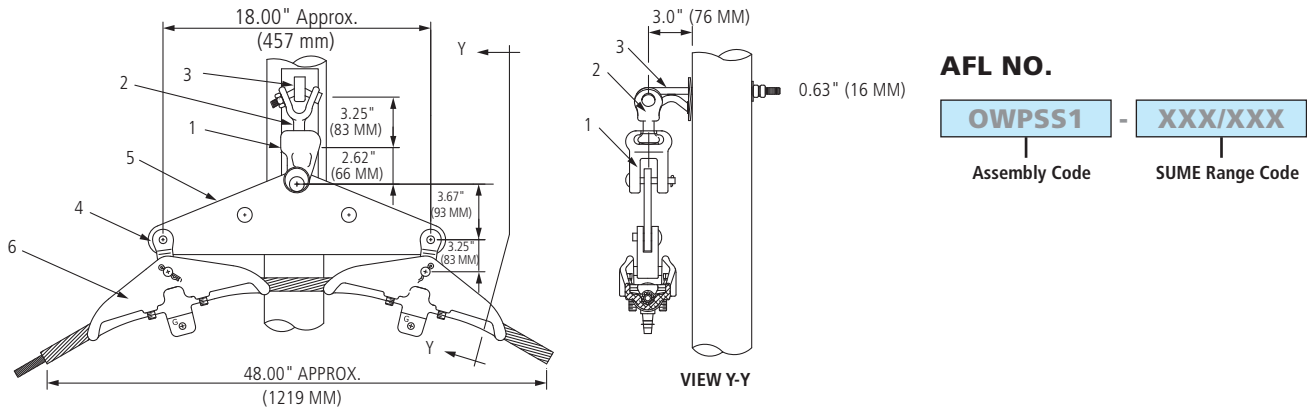
**OLTSS3**  
Assembly Code

**XXX/XXX**  
SUME Range Code

**Bill of Material**

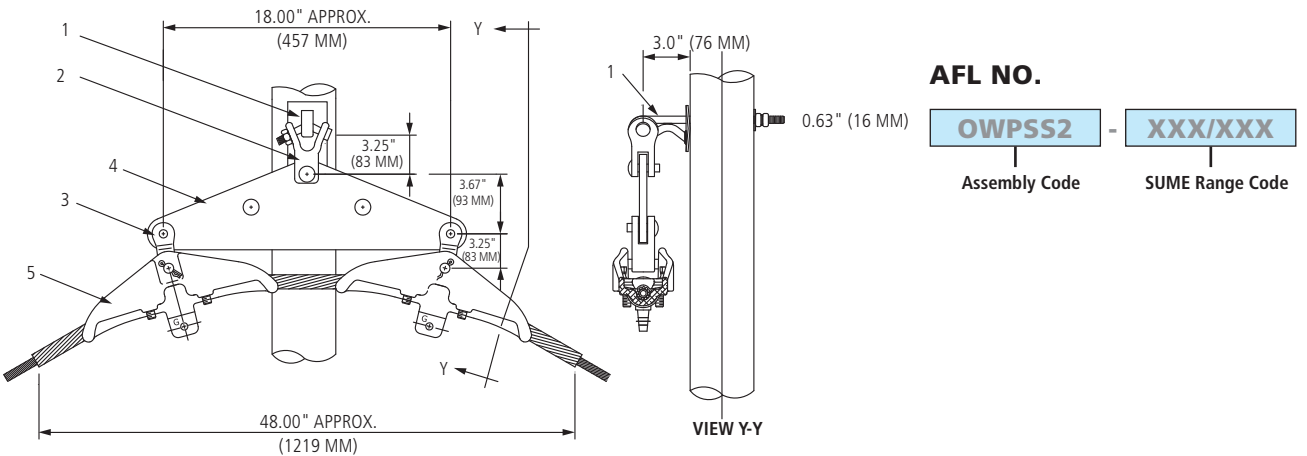
ITEM	DESCRIPTION	MATERIAL	AFL OR DWG. NO.	REQ'D	REMARKS
1	Y-Clevis Clevis	Galvanized Steel	YCC	1	Pin Dia. = 0.75" (19 mm)
2	Clevis Eye	Galvanized Steel	CE-SC	2	
3	Yoke Plate	Galvanized Steel	SUMEYP	1	
4	Double Suspension (included)	Aluminum	ODSME XXX/XXX	1	

OPGW Double Suspension Wood Pole/H-Frame Configuration Assemblies



Bill of Material

ITEM	DESCRIPTION	MATERIAL	AFL OR DWG. NO.	REQ'D	REMARKS
1	Socket Clevis	Galvanized Steel	SC-YP	1	
2	Y-Clevis Ball	Galvanized Steel	YCBS	1	Pin Dia. = 0.75" (19 mm)
3	Shield Wire Support Bracket	Galvanized Steel	SFOSB-WP-14	1	14" Bolt, 0.63" (16 mm) Dia.
4	Clevis Eye	Galvanized Steel	CE-SC	2	
5	Yoke Plate	Galvanized Steel	SUMEYP	1	
6	Double Suspension (incl.)	Aluminum	ODSME XXX/XXX	1	

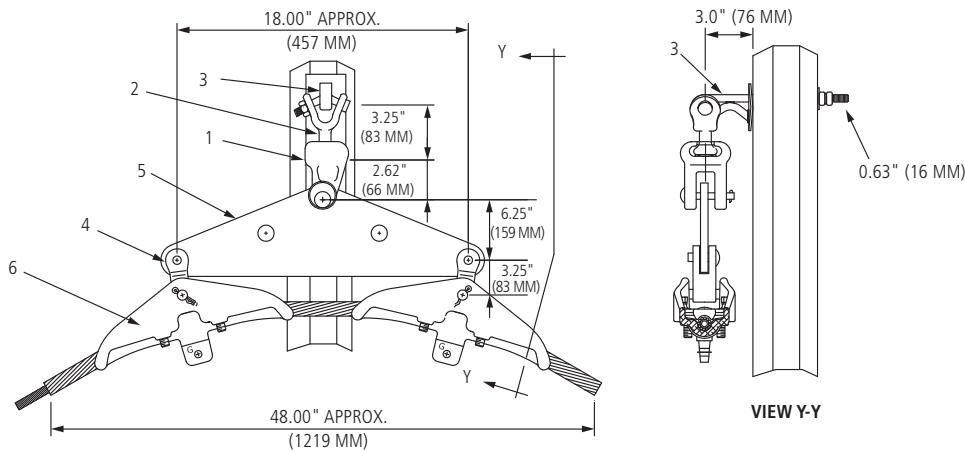


Bill of Material

ITEM	DESCRIPTION	MATERIAL	AFL OR DWG. NO.	REQ'D	REMARKS
1	Shield Wire Support Bracket	Galvanized Steel	SFOSB-WP-14	1	14" Bolt, 0.63" (16 mm) Dia.
2	Y-Clevis Clevis 90°	Galvanized Steel	YCC-90	1	Pin Dia. = 0.75" (19 mm)
3	Clevis Eye	Galvanized Steel	CE-SC	2	
4	Yoke Plate	Galvanized Steel	SUMEYP	1	
5	Double Suspension (Included)	Aluminum	ODSME XXX/XXX	1	



## OPGW Double Suspension Steel Pole/Drilled Configuration Assembly

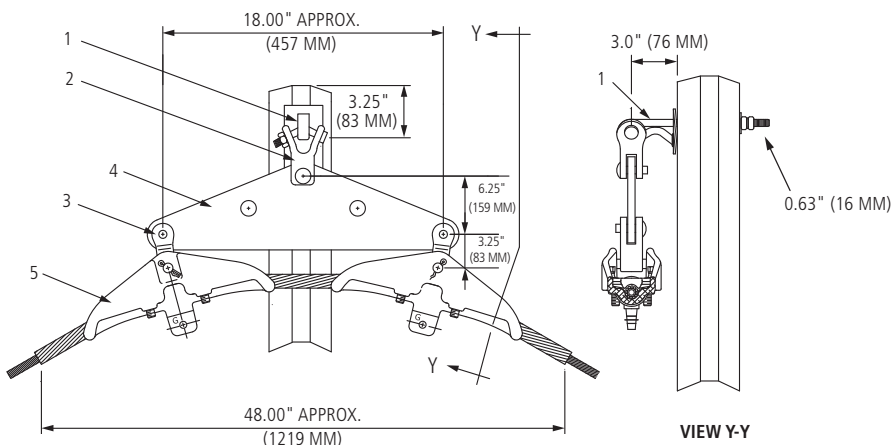


**AFL NO.**

<b>OSPSS1</b>	-	<b>XXX/XXX</b>
Assembly Code		SUME Range Code

### Bill of Material

ITEM	DESCRIPTION	MATERIAL	AFL OR DWG. NO.	REQ'D	REMARKS
1	Socket Clevis	Galvanized Steel	SC-YP	1	
2	Y-Clevis Ball	Galvanized Steel	YCBS	1	Pin Dia. = 0.75" (19 mm)
3	Shield Wire Support Bracket	Galvanized Steel	SFOSB-WP-14	1	14" Bolt, 0.63" (16 mm) Dia.
4	Clevis Eye	Galvanized Steel	CE-SC	2	
5	Yoke Plate	Galvanized Steel	SUMEYP	1	
6	Double Suspension (incl.)	Aluminum	ODSME XXX/XXX	1	



**AFL NO.**

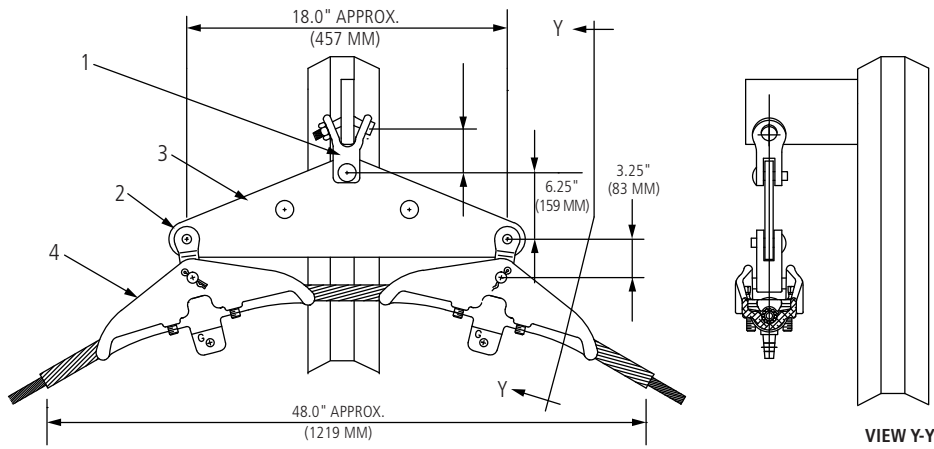
<b>OSPSS2</b>	-	<b>XXX/XXX</b>
Assembly Code		SUME Range Code

### Bill of Material

ITEM	DESCRIPTION	MATERIAL	AFL OR DWG. NO.	REQ'D	REMARKS
1	Shield Wire Support Bracket	Galvanized Steel	SFOSB-WP-14	1	14" Bolt, 0.63" (16 mm) Dia.
2	Y-Clevis Clevis 90°	Galvanized Steel	YCC-90	1	Pin Dia. = 0.75" (19 mm)
3	Clevis Eye	Galvanized Steel	CE-SC	2	
4	Yoke Plate	Galvanized Steel	SUMEYP	1	
5	Double Suspension (incl.)	Aluminum	ODSME XXX/XXX	1	

*continued*  
→

## OPGW Double Suspension Steel Pole/Vang Configuration Assembly

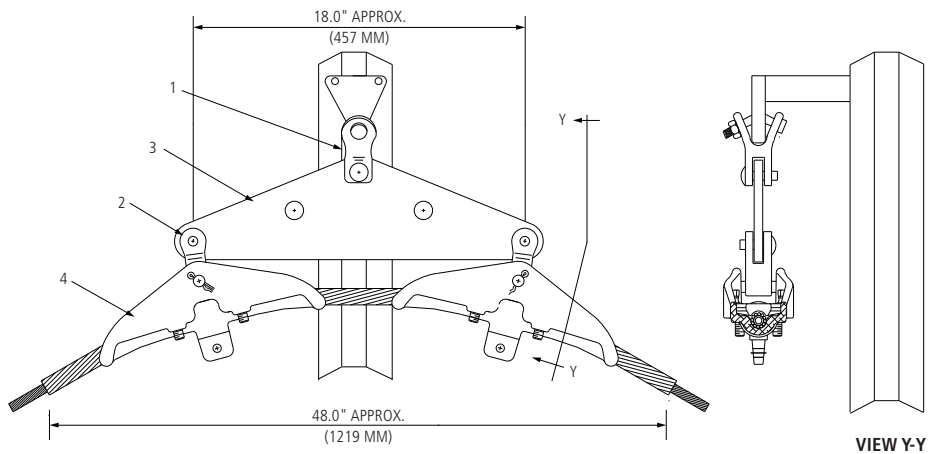


**AFL NO.**

<b>OSPSS4</b>	-	<b>XXX/XXX</b>
Assembly Code		SUME Range Code

### Bill of Material

ITEM	DESCRIPTION	MATERIAL	AFL OR DWG. NO.	REQ'D	REMARKS
1	Y-Clevis Clevis 90°	Galvanized Steel	YCC-90	1	Pin Dia. = 0.75" (19 mm)
2	Clevis Eye	Galvanized Steel	CE-SC	2	
3	Yoke Plate	Galvanized Steel	SUMEYP	1	
4	Double Suspension (incl.)	Aluminum	ODSME XXX/XXX	1	



**AFL NO.**

<b>OSPSS5</b>	-	<b>XXX/XXX</b>
Assembly Code		SUME Range Code

### Bill of Material

ITEM	DESCRIPTION	MATERIAL	AFL OR DWG. NO.	REQ'D	REMARKS
1	Y-Clevis Clevis	Galvanized Steel	YCC	1	Pin Dia. = 0.75" (19 mm)
2	Clevis Eye	Galvanized Steel	CE-SC	2	
3	Yoke Plate	Galvanized Steel	SUMEYP	1	
4	Double Suspension (incl.)	Aluminum	ODSME XXX/XXX	1	