

# OptiNID® MAX

## Optical Demarcation Enclosure

AFL's OptiNID (OPN) MAX Optical Demarcation Enclosure is the latest entry in the OptiNID fiber optic demarcation family of products. The OPN MAX is designed with flexibility in mind with the capability to house up to 12 SC simplex or LC duplex adapters, along with the ability to house up to 24 single fiber splices. The OPN MAX is also optimized for the use of AFL's FASTConnect® or FUSEConnect® field-installable connectors. The base of the enclosure houses an insert which incorporates fiber routing, adapter plate, and cable retention features. The OPN MAX also has several optional features such as a hinged splice tray to separate/protect bare fiber from cable slack, or a grounding plate for grounding toneable drop cables. The OPN MAX is available with two different base cable entry options, either a pair of U-shaped "drop-in" style grommets, or two half-inch ports allowing for a variety of different entry accessories.

### Features

- Integrated splice tray for up to 48 single fusion splices
- Hinged splice tray for more versatility and separation from the provider and customer side
- Capability to easily hold up to 50ft of cable slack
- Integrated gasket helps prevent water infiltration as well as protecting against insects
- "U-Grommets" provide easy drop-in cable entry or two half-inch ports for a variety of cable entry options
- Integrated mounting points external to the enclosure allow mounting to walls or poles without drilling holes through the box, creating leak paths

### Applications

- FTTx – Fiber-to-the-Home (single family, multi-dwelling), Fiber-to-the-Business (multi-tenant)
- Wireless – Macro and small cell

### Specifications

Parameter	Values
Dimensions – H x W x D	11.57 x 10.7 x 3.84 inches (29.39 x 27.18 x 9.75 cm)
Material	Polycarbonate
UV Resistance (Days Exposed)	1000 hours per ASTM G154 (Cycle 1)
Flammability	UL 94-5VA
Impact Test	0°F and 104°F (-18°C and 40°C) 10 ft-lbs on top, front and sides
Chemical Resistance	Resistant from cracking when subject to WD-40 Water Displacing Lubricant, No. 02005, 10% IGEPAL, Cable Filling compound (as used in the field), Splice Encapsulating Compound, Isopropyl Alcohol Grade HPLC, Wasp and Hornet Spray
Drop Test	0°F and 104°F (-18°C and 40°C) from 30 in. (75 cm)
Rain	Wind-driven rain, MIL-STD-810E Method 506.3
Temperature Cycling with Humidity	30-day cycling from -40°F to 149°F (-40°C to 65°C) with 95% RH



BEAD compliant configurations and part numbers indicated where applicable. Non-compliant items may be eligible for BEAD De Minimis waiver. For complete list of compliant part numbers, see AFL BEAD Program Compliant Equipment List: [AFLglobal.com/BEAD](https://aflglobal.com/BEAD)



"U-Grommet" Entry Option



1/2" Hole Entry Option

continued

# OptiNID® MAX Optical Demarcation Enclosure

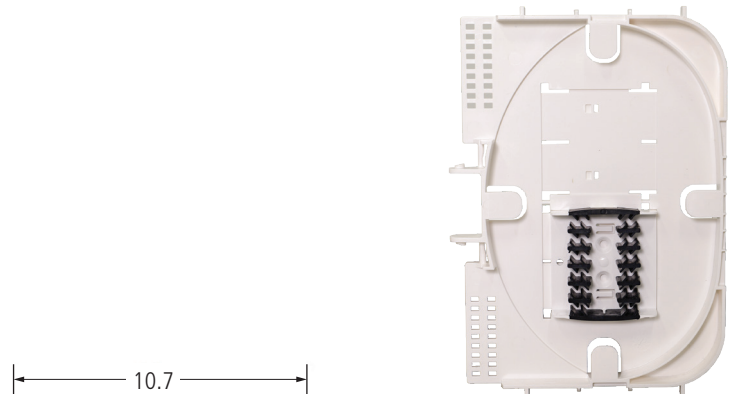
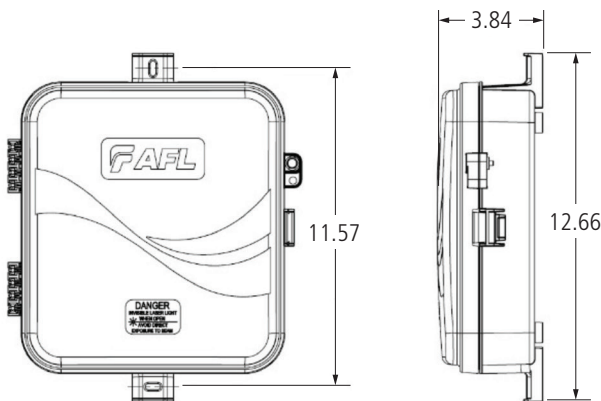
## Ordering Information

<b>M</b>	<b>A</b>	<b>A</b>	<b>X</b>	<b>A</b>	<b>12</b>	<b>X</b>	<b>X</b>	<b>P</b>	<b>P</b>	<b>P</b>	<b>X</b>
<b>OptiNID MAX</b>	<b>Base</b>	<b>Adapter</b>	<b>Tray</b>	<b>Pigtail Kit OR PLC Splitter</b>	<b>Hardware Left</b>	<b>Hardware Right</b>	<b>Hardware Back</b>				
M = OPN MAX B = BEAD Compliant OPN MAX	A = U-shape Grommets B = 1/2" Entry Holes	A = SC/APC Simplex B = SC/UPC Simplex L = LC/UPC Duplex N = LC/APC Duplex	X = No Tray T = With Tray	X = None A = SC/APC Pigtail B = SC/UPC Pigtail L = LC/UPC Pigtail N = LC/APC Pigtail 2 = 1x2 PLC Splitter 4 = 1x4 PLC Splitter 8 = 1x8 PLC Splitter 12 = 1x12 PLC Splitter	A = Heyco compression fitting for 0.095" to 0.29" round cable B = Heyco compression fitting for 0.170" to 0.45" round cable D = PVC conduit fitting for 3/4" Conduit G = Rubber grommet K = Heyco compression fitting for 0.26" to 0.545" round cable L = Heyco compression fitting for 2 round cables up to 0.15" M = Heyco compression fitting for flat drop cable N = PVC conduit fitting for 1/2" conduit U = U-shaped grommet for U-shaped grommet base	X = None G = Grommet					
<b>Cover Logo</b>	<b>Lockscrew</b>		<b>Adapter Quantity</b>	<b>Ground</b>							
X = No logo A = AFL	X = No lockscrew 1 = With lockscrew		00 = None 01 = One 06 = Six 12 = Twelve 24 = 24 (LC Duplex only)	X = No Ground G = 2 Lug Grounding Plate							

## Ordering Information – Accessories

Description	AFL No.
OptiNID MAX Splice Module, Pack of 20	AX-TRAY-MOD-20

## Dimensions (in inches)



OptiNID MAX Tray with Splice Module

## Qualifications

Governing Body	Standard Code
Telcordia	GR-771, GR-2898



BEAD compliant configurations and part numbers indicated where applicable. Non-compliant items may be eligible for BEAD De Minimis waiver. For complete list of compliant part numbers, see AFL BEAD Program Compliant Equipment List: [AFLglobal.com/BEAD](http://AFLglobal.com/BEAD)