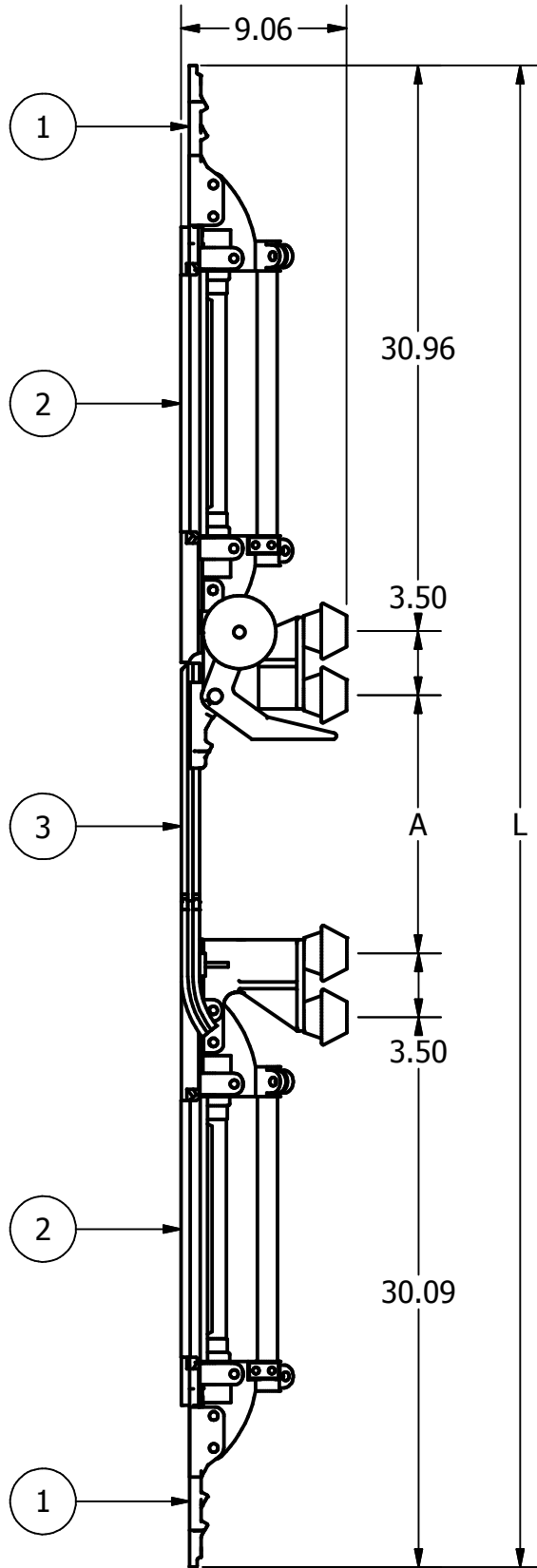


ITEM NO

DWG NO



**NOTES:**  
 GAP LENGTH **A** TO BE SPECIFIED BY CUSTOMER  
 OVERALL LENGTH **L** = A + 68"

| ITEM | QTY | DESCRIPTION             |
|------|-----|-------------------------|
| 1    | 2   | Clevis Anchor Tip       |
| 2    | 2   | No-Bo Section Insulator |
| 3    | 1   | Door Bridge             |

THIS DRAWING AND ALL INFORMATION ON IT IS THE PROPERTY OF AFL. IT IS CONFIDENTIAL AND IT IS GIVEN TO YOU FOR A LIMITED PURPOSE AND MUST BE RETURNED UPON REQUEST. NEITHER THIS DRAWING OR ANY PART OF IT NOR ANY INFORMATION CONCERNING IT MAY BE COPIED, EXHIBITED, OR FURNISHED TO OTHERS NOR PHOTOGRAPHS TAKEN OF ANY ARTICLE FABRICATED OR ASSEMBLED FROM THE DRAWING WITHOUT THE CONSENT OF AFL.

LOCATION

CONTRACT NO

CUST / CONTR

REVISIONS

| REV | DESCRIPTION | DATE | BY | APR |
|-----|-------------|------|----|-----|
|     |             |      |    |     |
|     |             |      |    |     |
|     |             |      |    |     |

DRN BY:

DRN DATE:

CHK BY:

CHK DATE:

**FAFL**

**DOSSERT®**

REV

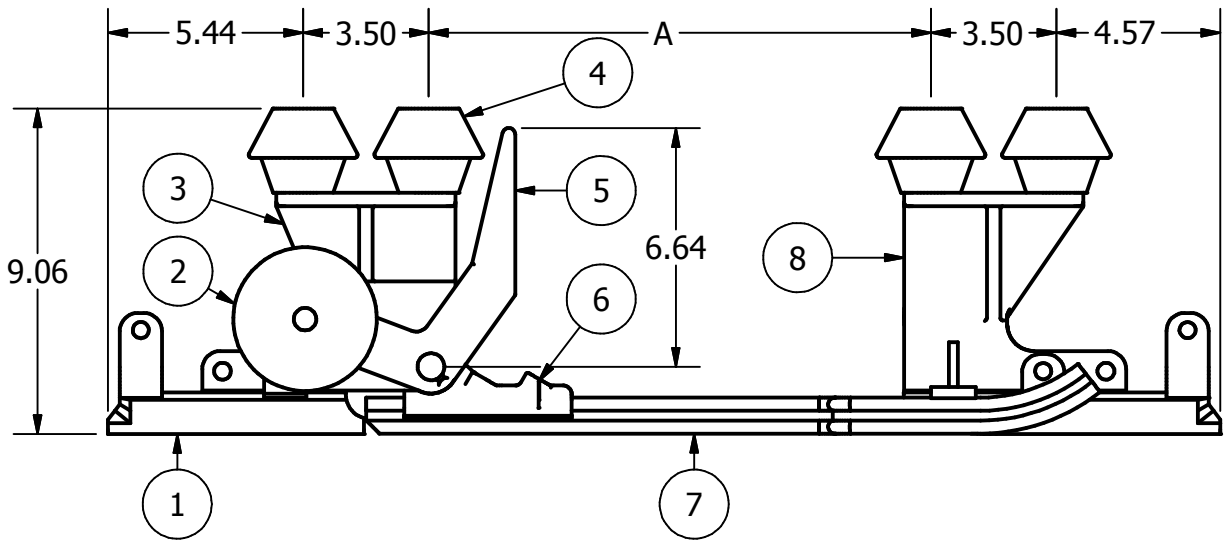
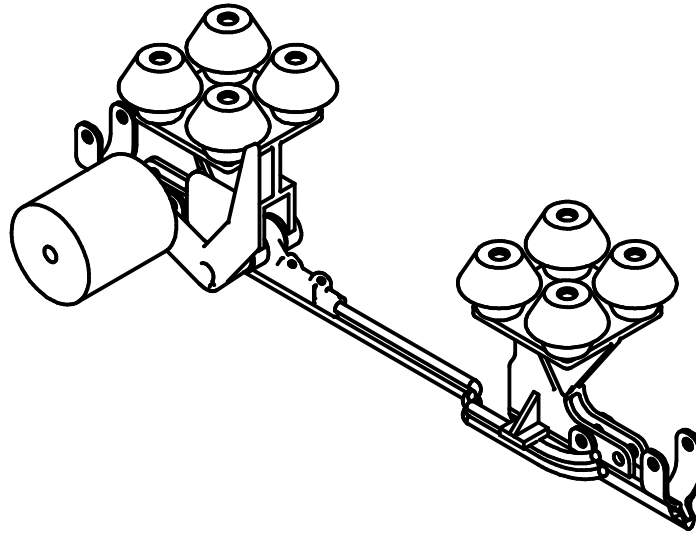
Door Bridge Assembly

1 of 1

ITEM NO

DWG NO

THIS DRAWING AND ALL INFORMATION ON IT IS THE PROPERTY OF AFL. IT IS CONFIDENTIAL AND IT IS GIVEN TO YOU FOR A LIMITED PURPOSE AND MUST BE RETURNED UPON REQUEST. NEITHER THIS DRAWING OR ANY PART OF IT NOR ANY INFORMATION CONCERNING IT MAY BE COPIED, EXHIBITED, OR FURNISHED TO OTHERS NOR PHOTOGRAPHS TAKEN OF ANY ARTICLE FABRICATED OR ASSEMBLED FROM THE DRAWING WITHOUT THE CONSENT OF AFL.



PARTS LIST

| ITEM | QTY | DESCRIPTION                               |
|------|-----|---|
| 1    | 2   | End Clip/Wear Surface                     |
| 2    | 1   | Pivot Counterweight                       |
| 3    | 1   | Pivot Housing                             |
| 4    | 8   | 1.5kV Suspension Insulator (Not Provided) |
| 5    | 1   | Lever Arm                                 |
| 6    | 1   | End Runner                                |
| 7    | 1   | Contact Wire Runner                       |
| 8    | 1   | Receiver Housing                          |
| 9    | 1   | Door Mounted Trip Plate (Not Shown)       |

NOTE: GAP LENGTH **A** TO BE SPECIFIED BY CUSTOMER

|           |             |      |    |     |             |             |              |        |
|-----------|-------------|------|----|-----|-------------|-------------|--------------|--------|
| LOCATION  |             |      |    |     | CONTRACT NO |             | CUST / CONTR |        |
| REVISIONS |             |      |    |     | DRN BY:     |             |              |        |
| REV       | DESCRIPTION | DATE | BY | APR | DRN DATE:   |             |              |        |
|           |             |      |    |     | CHK BY:     |             |              |        |
|           |             |      |    |     | CHK DATE:   |             |              |        |
|           |             |      |    |     | REV         | Door Bridge |              | 1 of 1 |